

FLUA

2022  
CATALOGUE  
ARCHITECTURAL LIGHTING

PROJECT ONLY



FLUA®

PERFORM YOUR LIGHT

[WWW.FLUA.COM](http://WWW.FLUA.COM)



## BRAND ORIGIN

In 2015, FLUA began preparations for its establishment in Milan, Italy. It hired an Italian planning and design team and French VI design to conduct product and market analysis with a Chinese manufacturer team; implement all aspects of brand positioning, product selection, VI design, store image, etc. .

After a year of preparation, in 2016, FLUA was registered and officially operated in Milan, set up a China operation center in Shanghai, and has now moved to Shenzhen.

## WHO IS FLUA

A lighting company designed in Italy, made in China, and serving the world.

The R&D center is located in Milan, the manufacturing is located in Jiangmen, Guangdong, China, and the marketing is located in Shenzhen, China.

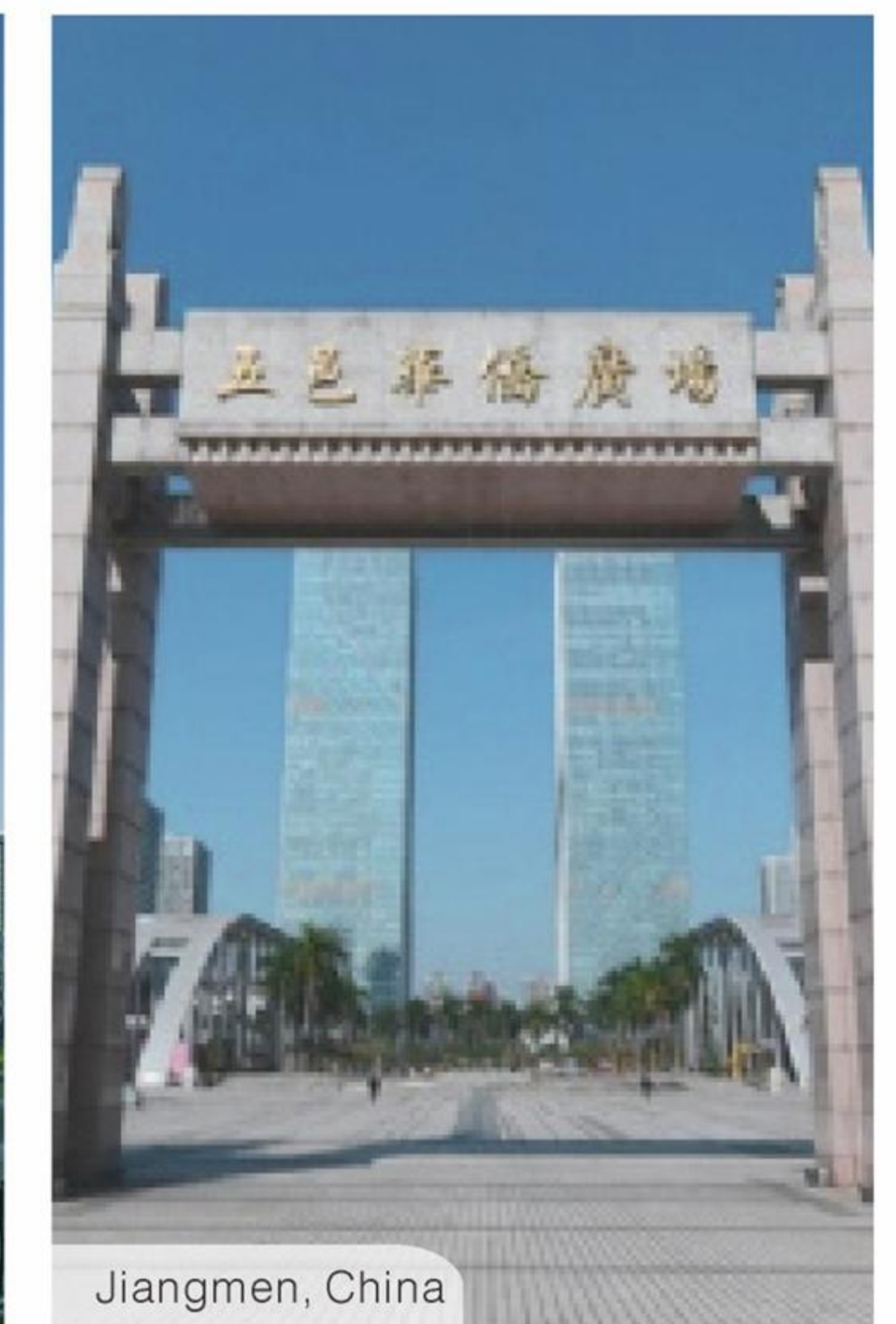
### City Landmark (FLUA location)



Milan, Italy



Shenzhen, China



Jiangmen, China

### R&D Center



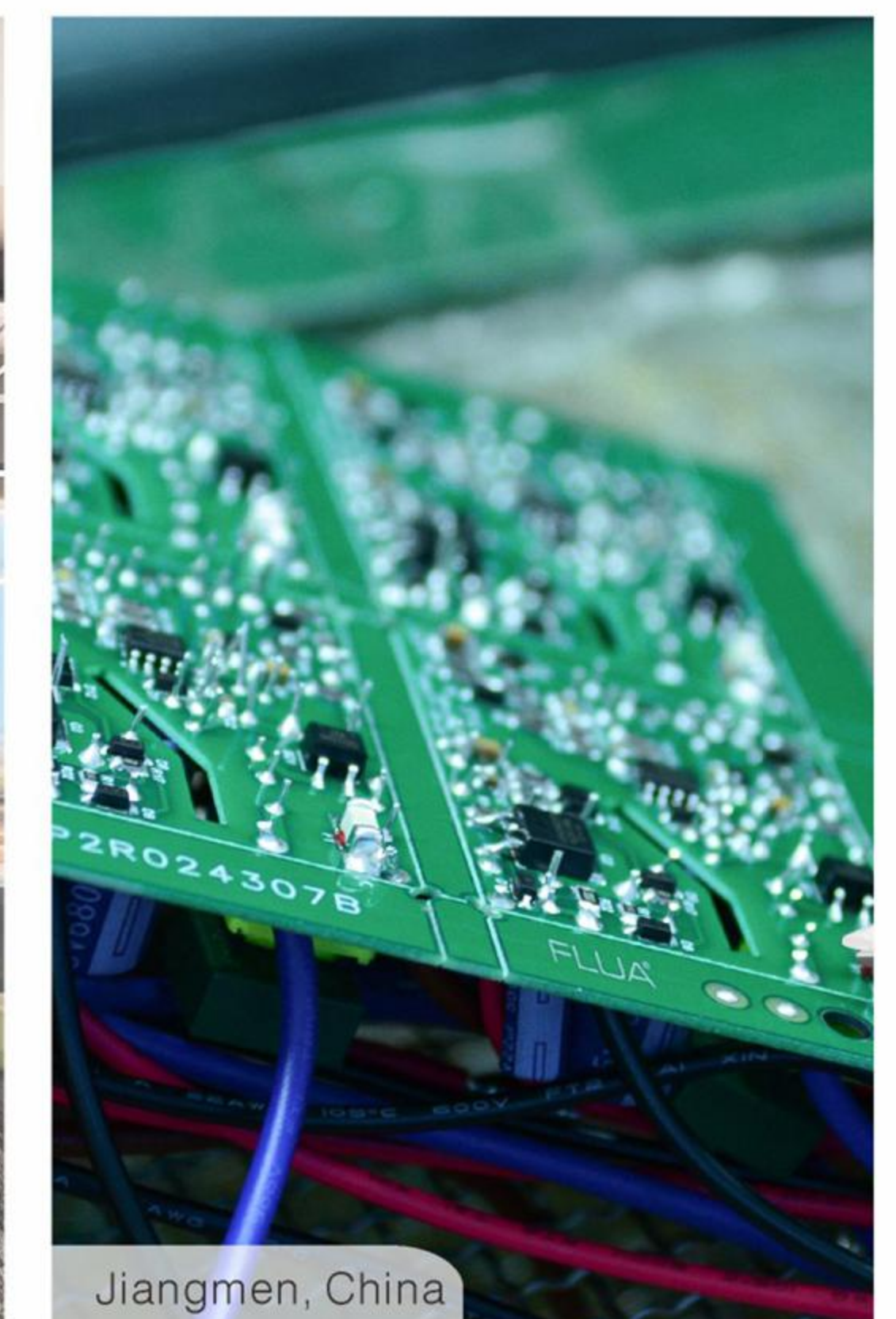
Milan, Italy

### Marketing Center



Shenzhen, China

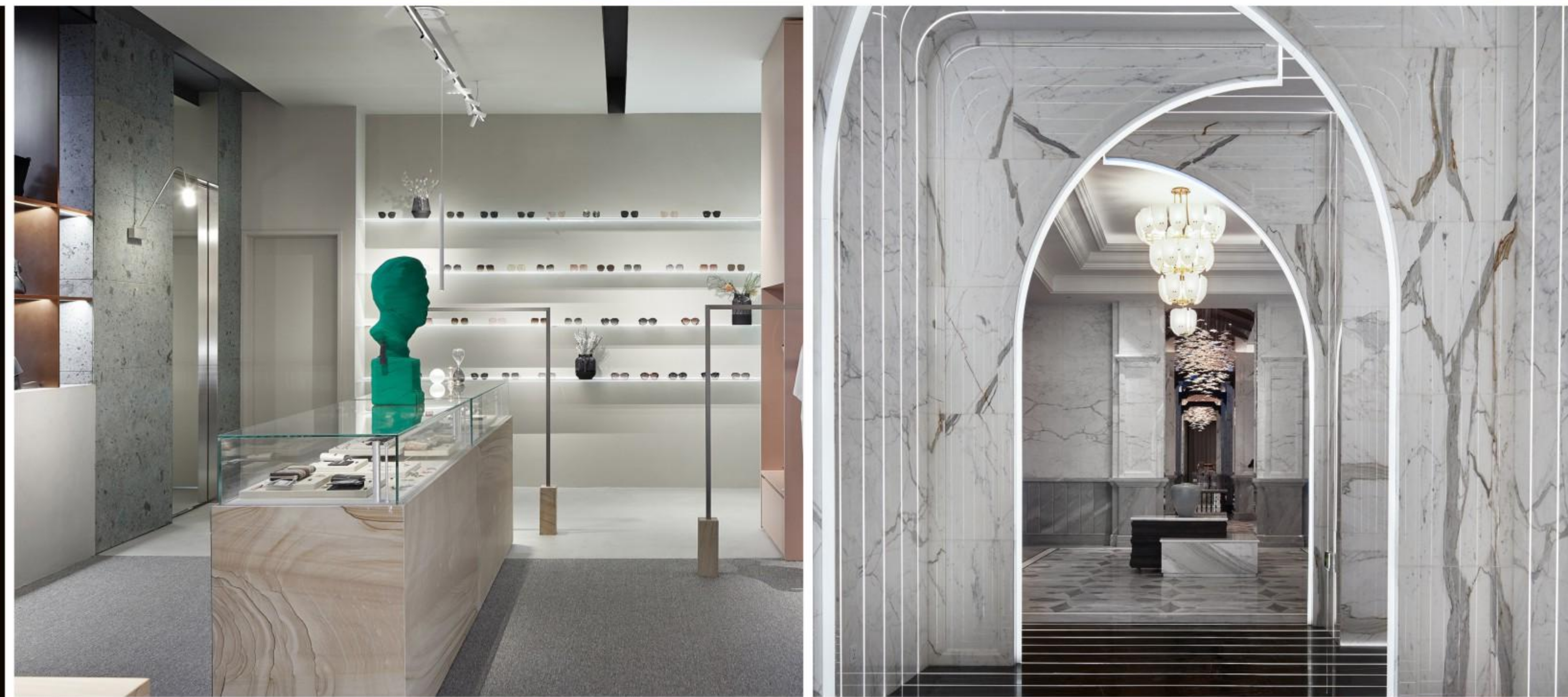
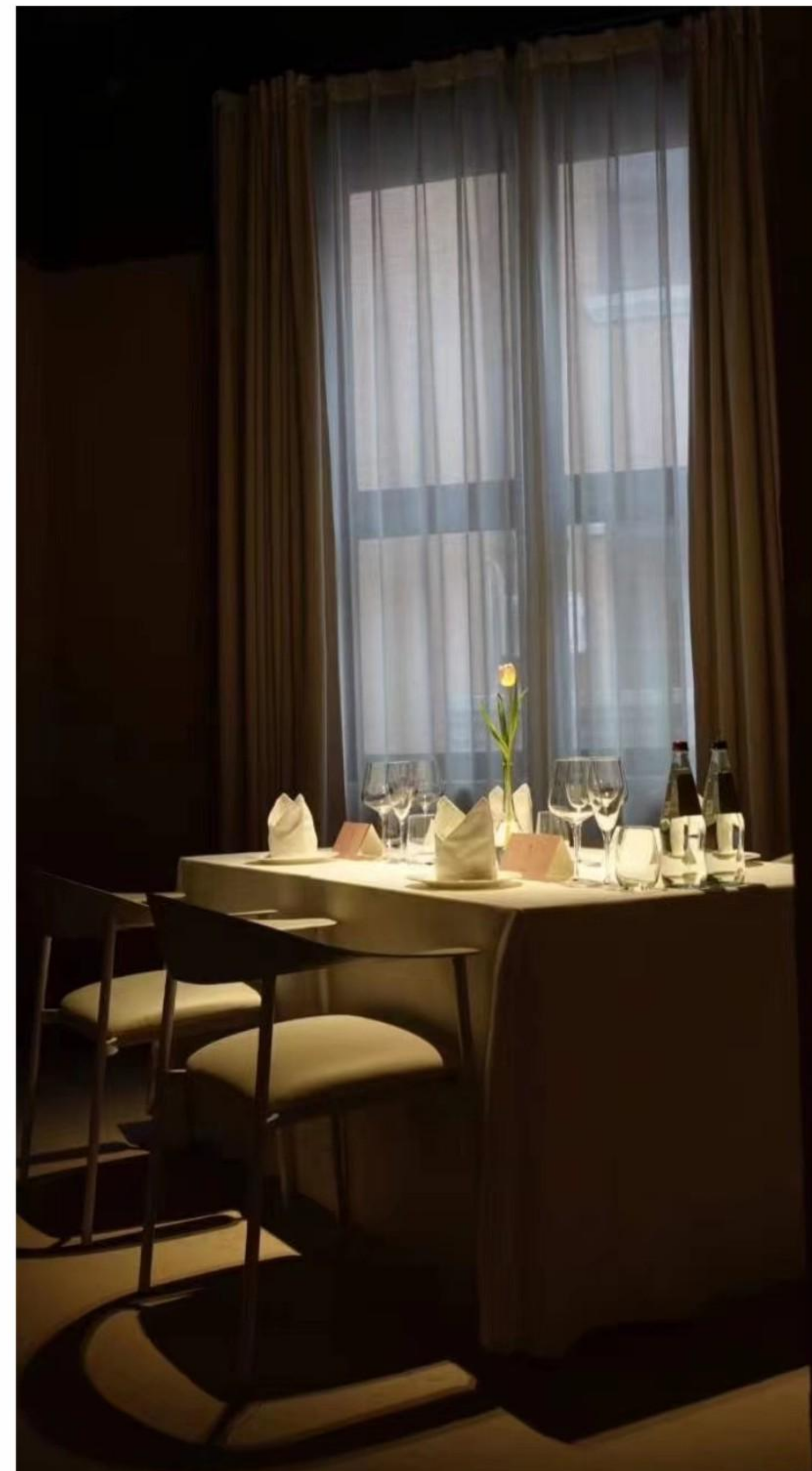
### Manufacturing Center



Jiangmen, China

## WHAT DOES FLUA DO

FLUA's 100 city service providers around the world provide you with professional lighting design and high-quality lighting products.



FLUA products cover every place in life that needs light, including private houses, restaurants, retail stores, hotels, museums, art galleries, and even offices, public places, etc. FLUA can provide customers with different personalized and professional solutions according to the lighting needs of different indoor and outdoor scenes to meet all home lighting and commercial venues application.

## BRAND DEVELOPMENT MILESTONES



### IN 2015

FLUA began preparations for establishment in Milan, Italy



### IN 2016

FLUA officially established and opened the first flagship store in China.



### IN 2017

FLUA's first exclusive showroom (Tel Aviv, Israel) was completed, and FLUA's first global distributor LIGHTING PARTY was successfully held



### IN 2018

FLUA appeared in Frankfurt, Germany and established FLUA domestic operation center in Shenzhen



### IN 2019

FLUA won the first German Red Dot Award, reaching 75 stores worldwide



### IN 2020

FLUA carried out the first online training, online product training for global distributors



### IN 2021

The foundation of the new factory will be laid

## DISTRIBUTOR ADDRESS



### STORE ADDRESS

The above data is up to 2021

<b>INDIA:</b>	DELHI / PUNJAB / HARYANA/MUMBAI GUJARAT / PUNE / HYDERABAD / BANGALORE	<b>MEXICO:</b>	MEXICO CITY	<b>RUSSIA - MOSCOW</b>
<b>LEBANON:</b>	BEIRUT	<b>AUSTRIA:</b>	SYDNEY	<b>SAUDI ARABIAN - RIYADH</b>
<b>SPAIN:</b>	SPAIN	<b>SOUTH KOREA:</b>	SEOUL	<b>UAE - DUBAI</b>
<b>TUNISIA:</b>	LIBYA	<b>NORTHERN IRELAND</b>		<b>QATAR - DOHA</b>
<b>ISRAEL:</b>	TEL AVIV	<b>TAIWAN</b>		
<b>SOUTH AFRICA:</b>	CAPE TOWN	<b>COTE D'IVOIRE</b>		
<b>PANAMA:</b>	COSTA RICA/DOMINICAN REPUBLIC/EQUADOR	<b>BANGKOK</b>		
<b>URUGUAY:</b>	MONTEVIDEO/CHILE/SANTIAGO	<b>SINGAPORE</b>		
<b>KAZAKHSTAN:</b>	NURSULTAN	<b>INDONESIA:</b>	JAKARTA	
<b>UZBEKISTAN:</b>	TASHKENT / SAMARKAND / BUKHARA	<b>CZECH</b>		
<b>NEW ZEALAND:</b>	AUCKLAND	<b>NIGERIA:</b>	ABUJA/LAGOS / PORTHARCOURT	
<b>FIJI</b>		<b>MONGOLIA:</b>	ULAN BATOR	

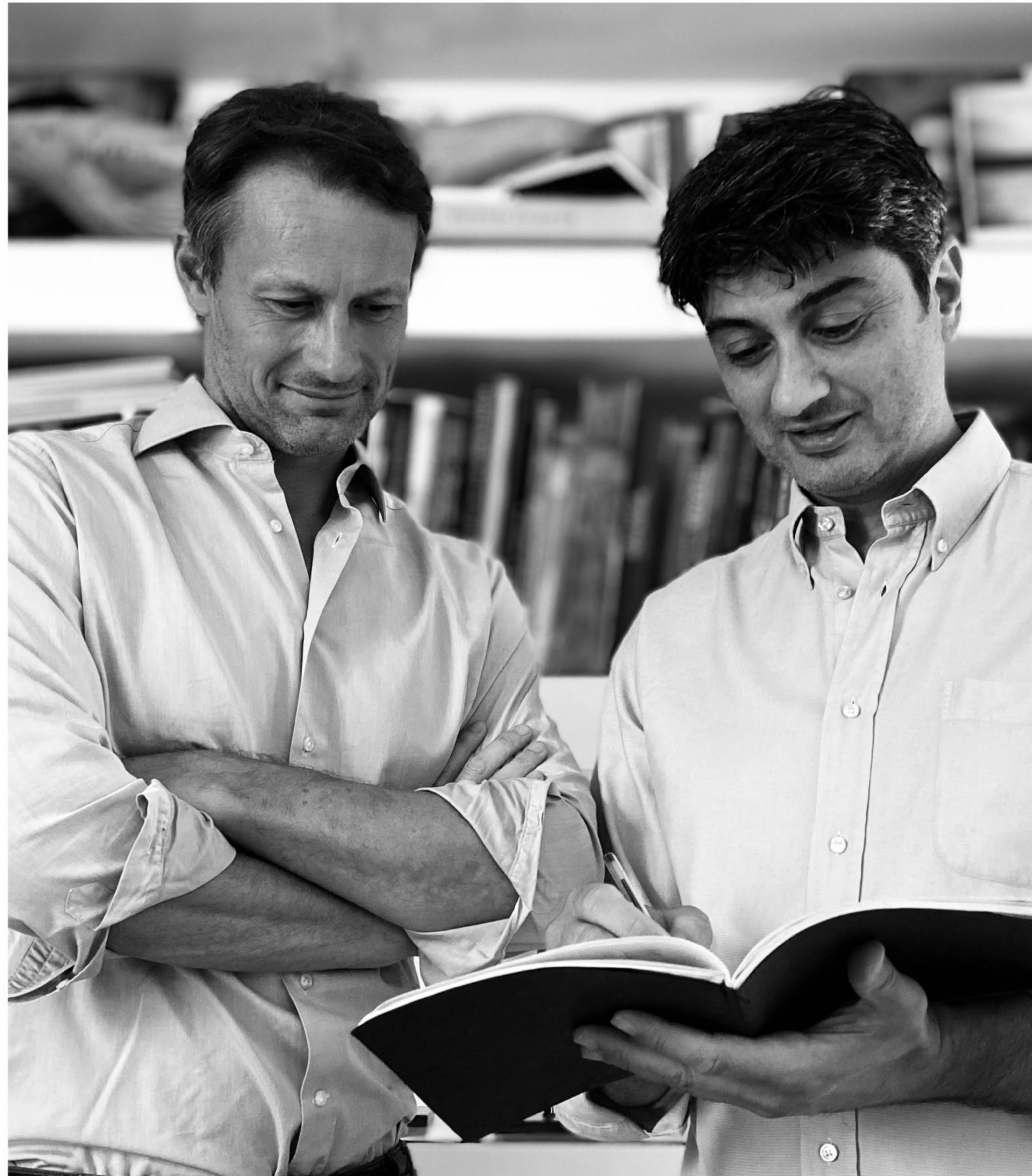
#### Remarks

📍 Coordinate position      • Indicates the store is about to open      X? Indicates that there are two or more stores in the area

## JOIN US

FLUA has a complete and efficient franchise policy. A dedicated person is responsible for the location of the store, and the Italian team is responsible for the store design. There are corresponding training courses for team establishment, product application, and program design to ensure that the first time help is obtained during the operation of the dealer's store. The independently developed sales management system can effectively improve the store's order processing capabilities and effective product information delivery.

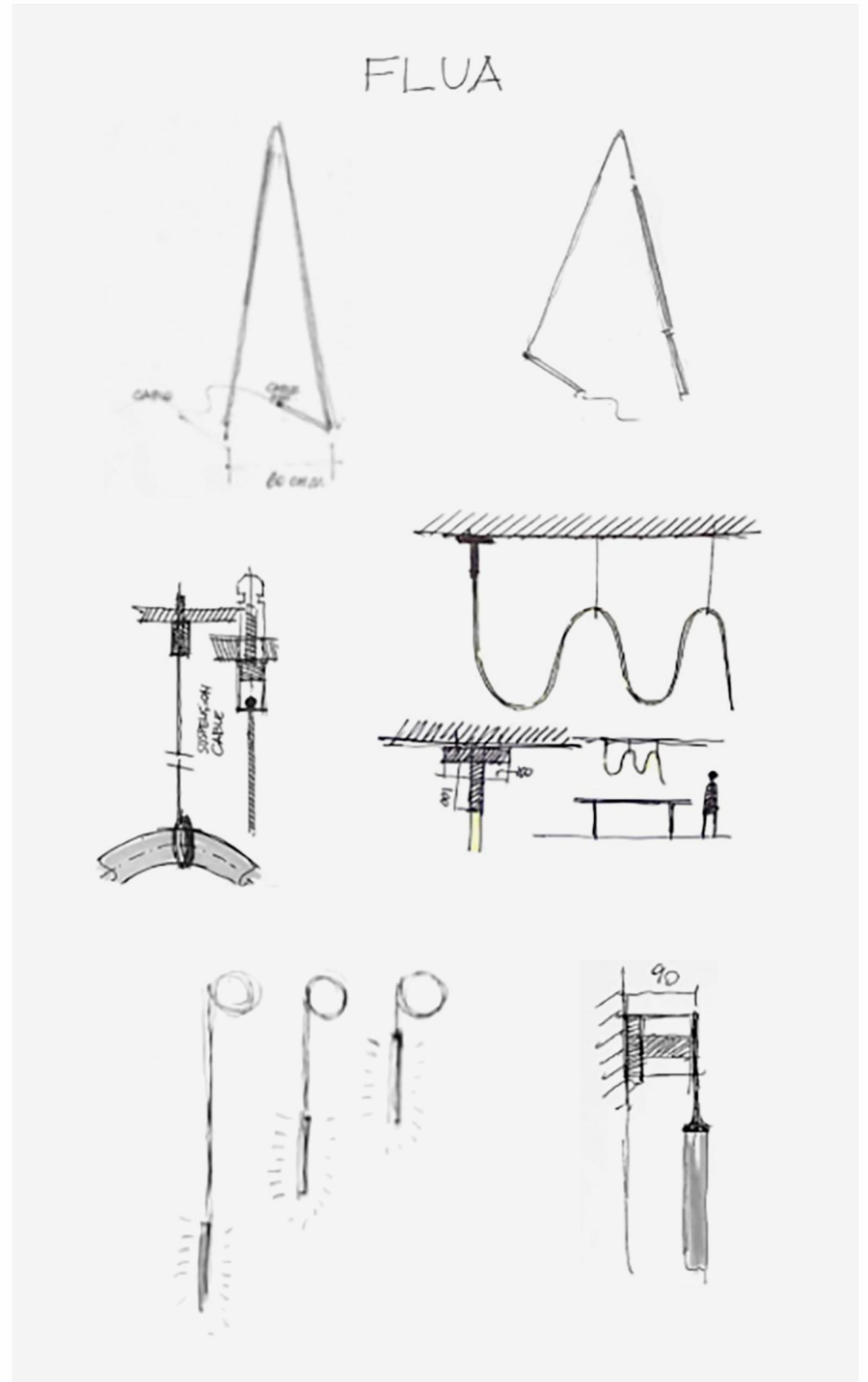


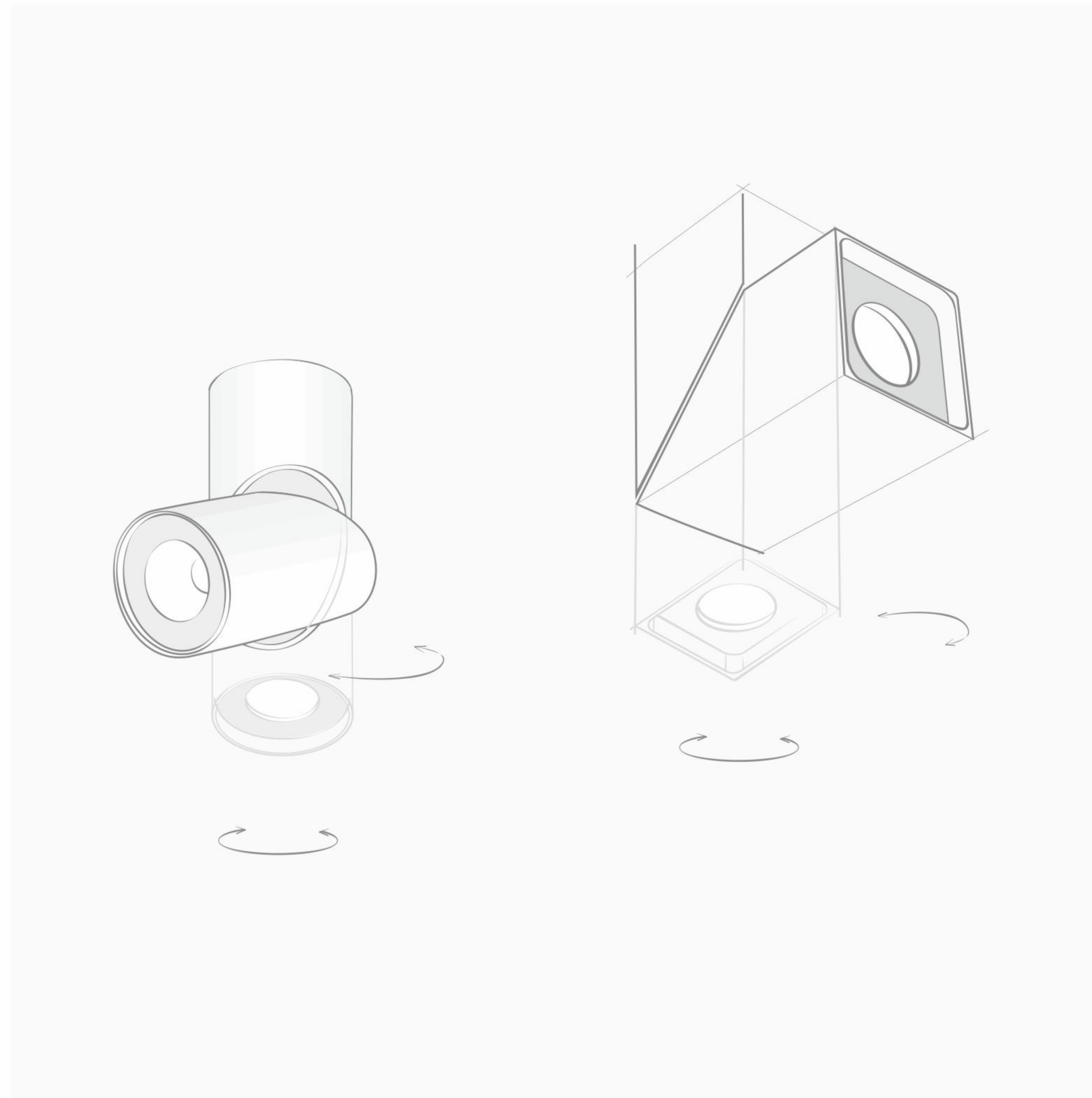


*Marco Piva* *Luca Frezzani*

## PRODUCT DEVELOPMENT

5 Italian designers and more than 30 R&D engineers in China Taking the latest international space design requirements as the starting point, and under the leadership of the Milan design team, we constantly try to use new materials, structures and optics to create the best lighting solutions, and we continue to forge ahead on the road of product innovation.





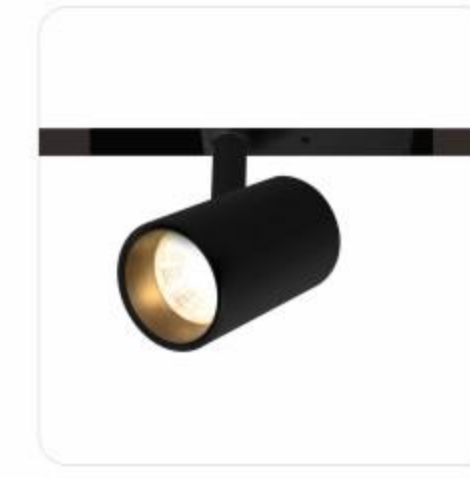
## PRODUCT TYPE

FLUA lighting design has more than 2,000 series, with the proprietary mold development, including three categories of interior professional / interior architectural and outdoor ranges. It has strong compatibility and meets the general control protocol requirements of the global market, such as: 1-10V / triac dim / DALI / DMX, etc. It can be used in different environments such as home application, hotels, offices, shops and outdoor public areas. Meanwhile, it has FLUA dedicated smart control system.

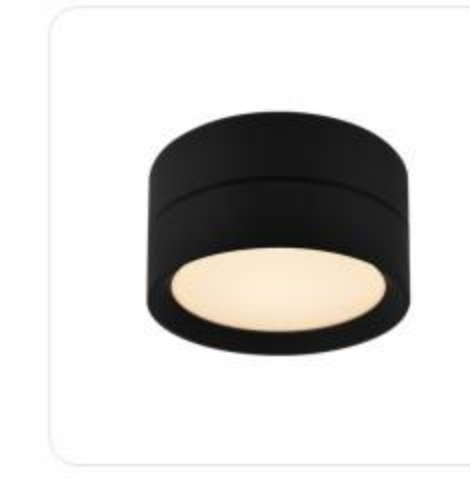
## PROJECT

For large-scale project customers, FLUA provides project tracking services from design to landing, providing professional and high-quality commercial lighting products, and stable delivery to ensure the progress of the project.

## INTERIOR PROFESSIONAL LIGHTING



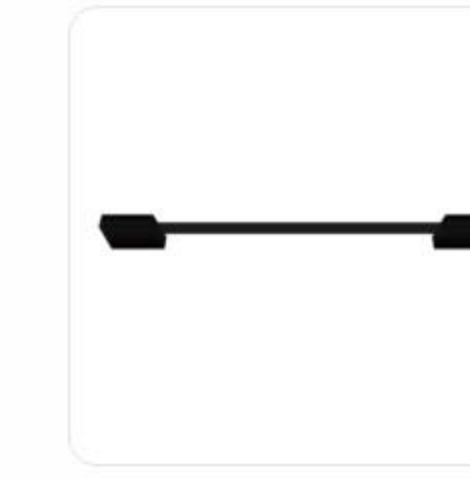
Spotlight



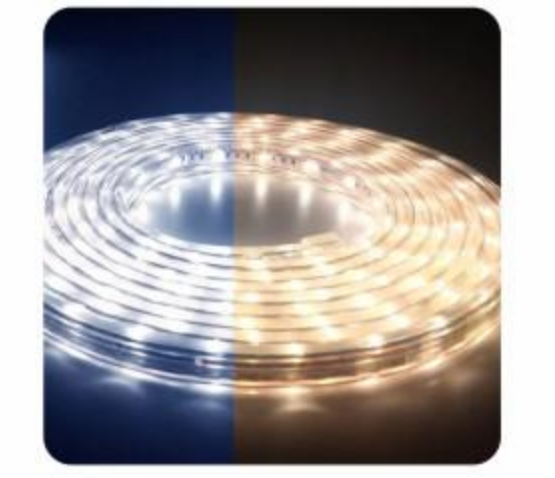
Downlight



Track Light



Linear Lighting



LED Strip

## INTERIOR INSPIRATION LIGHTING



Table Lamp



Wall Lamp



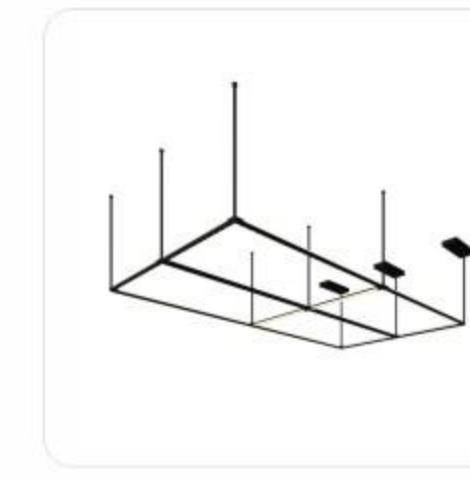
Pendant Lamp



Floor Lamp

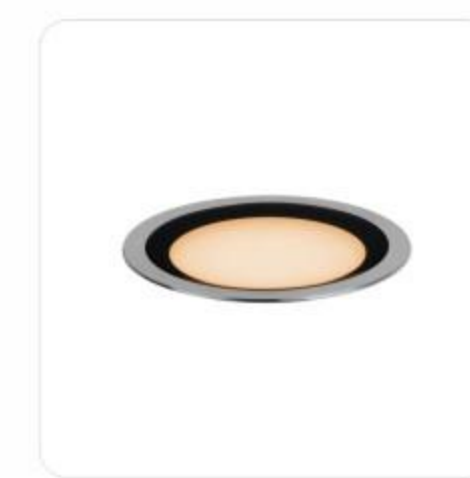


Ceiling Lamp



Designable

## EXTERIOR LIGHTING



Under water



Spot Lamp



Wall Lamp



Lawn Lamp



Wall Washer



Inground

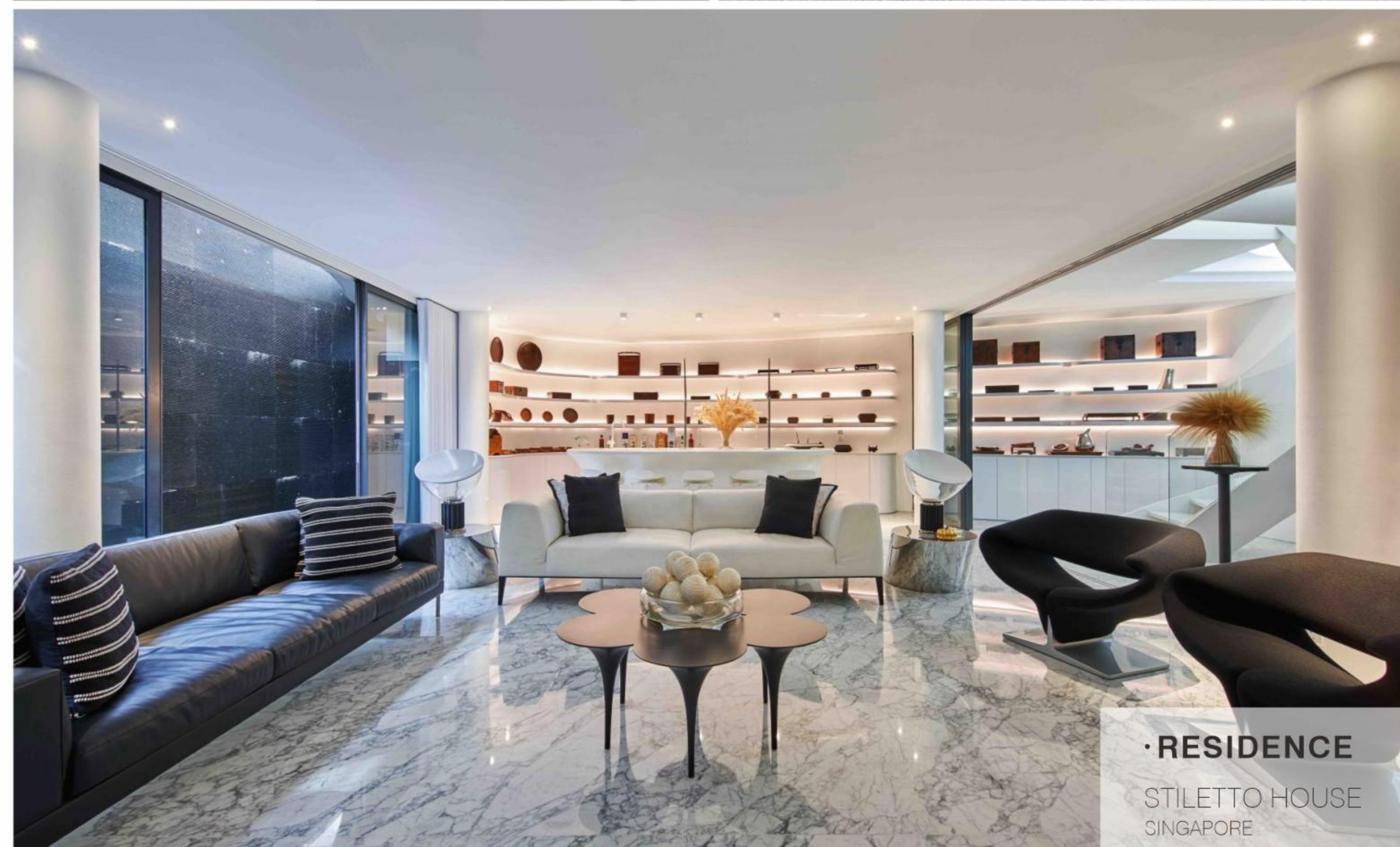
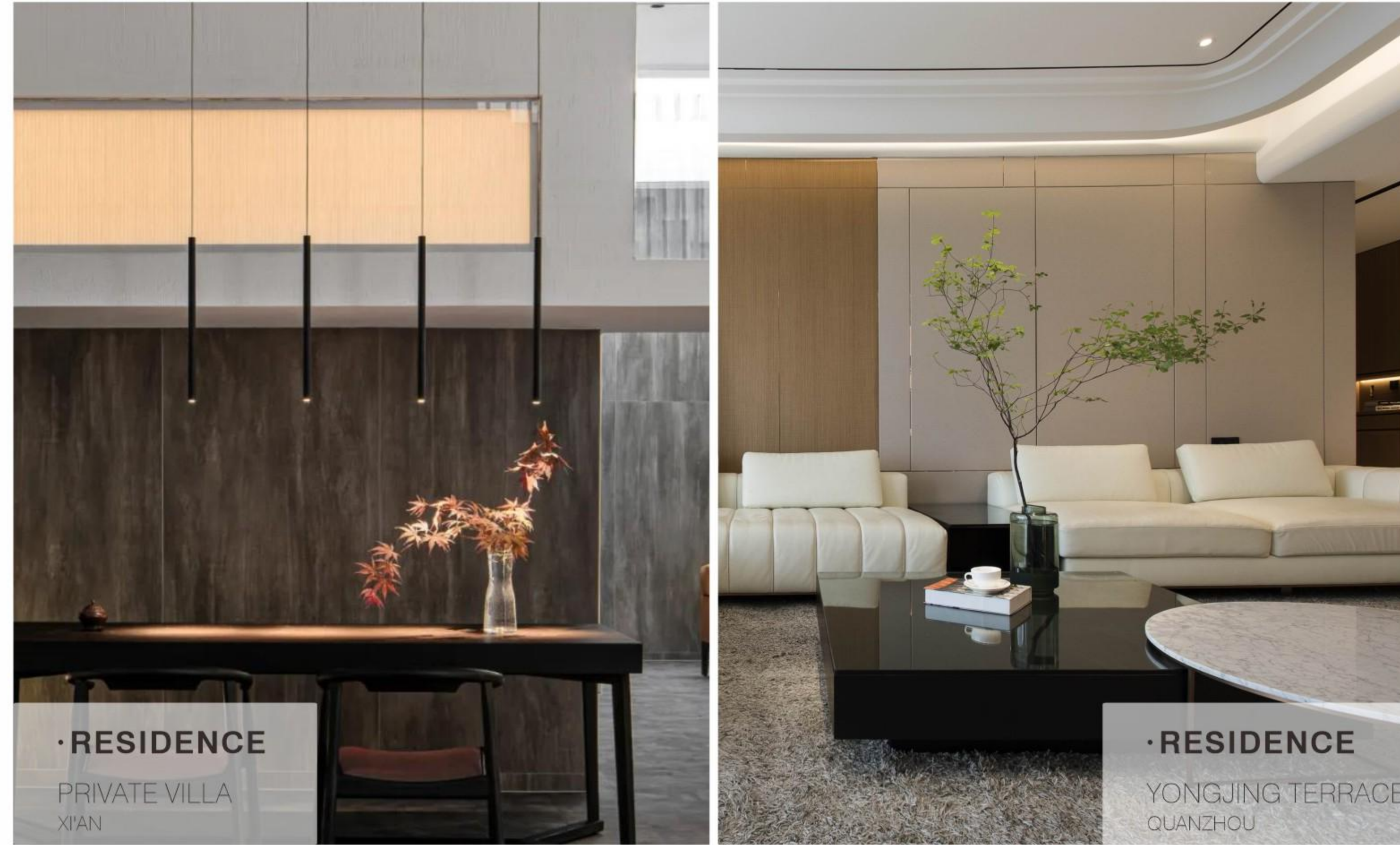


Linea Lamp



LED Strip

## PROJECT



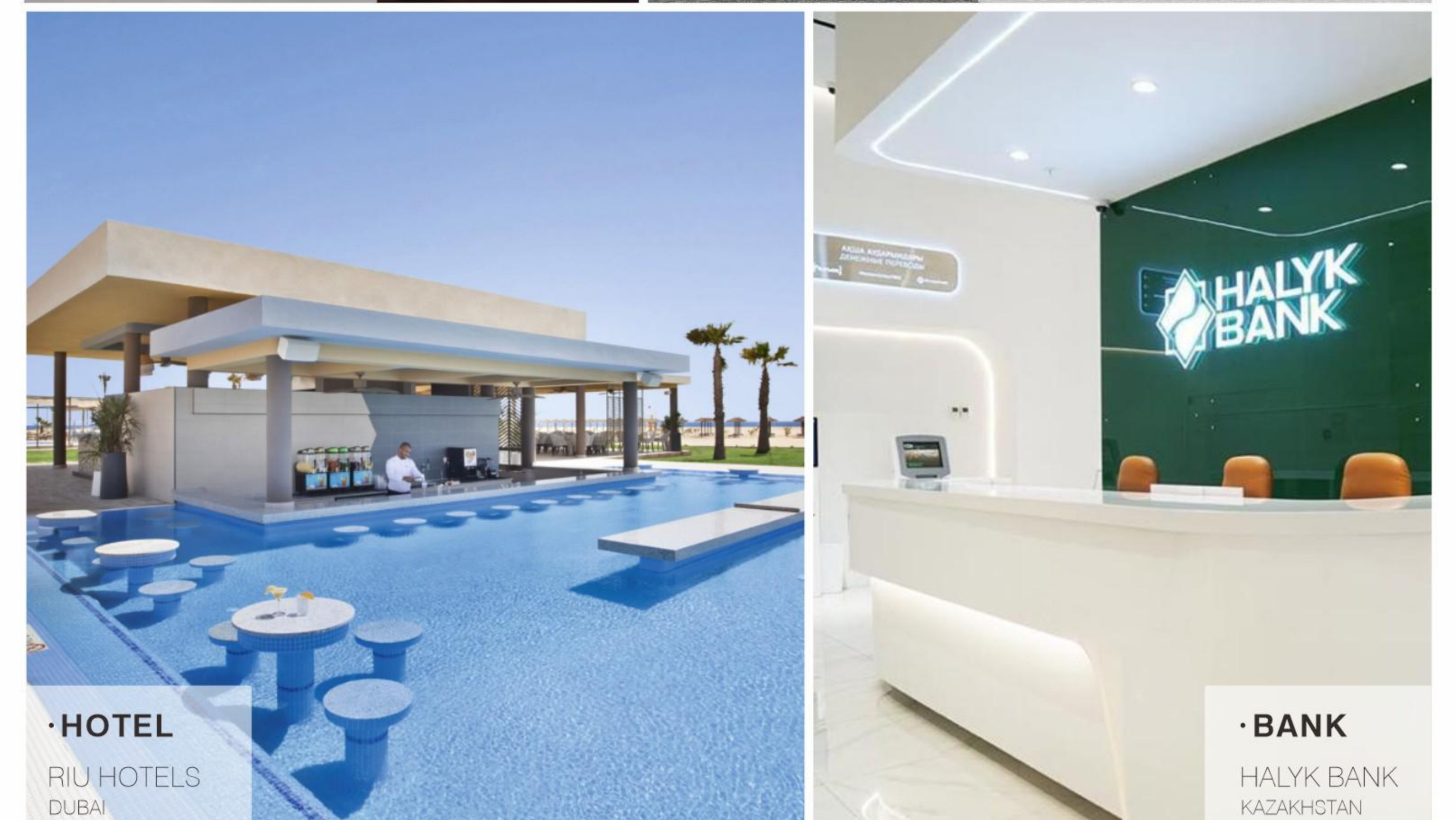
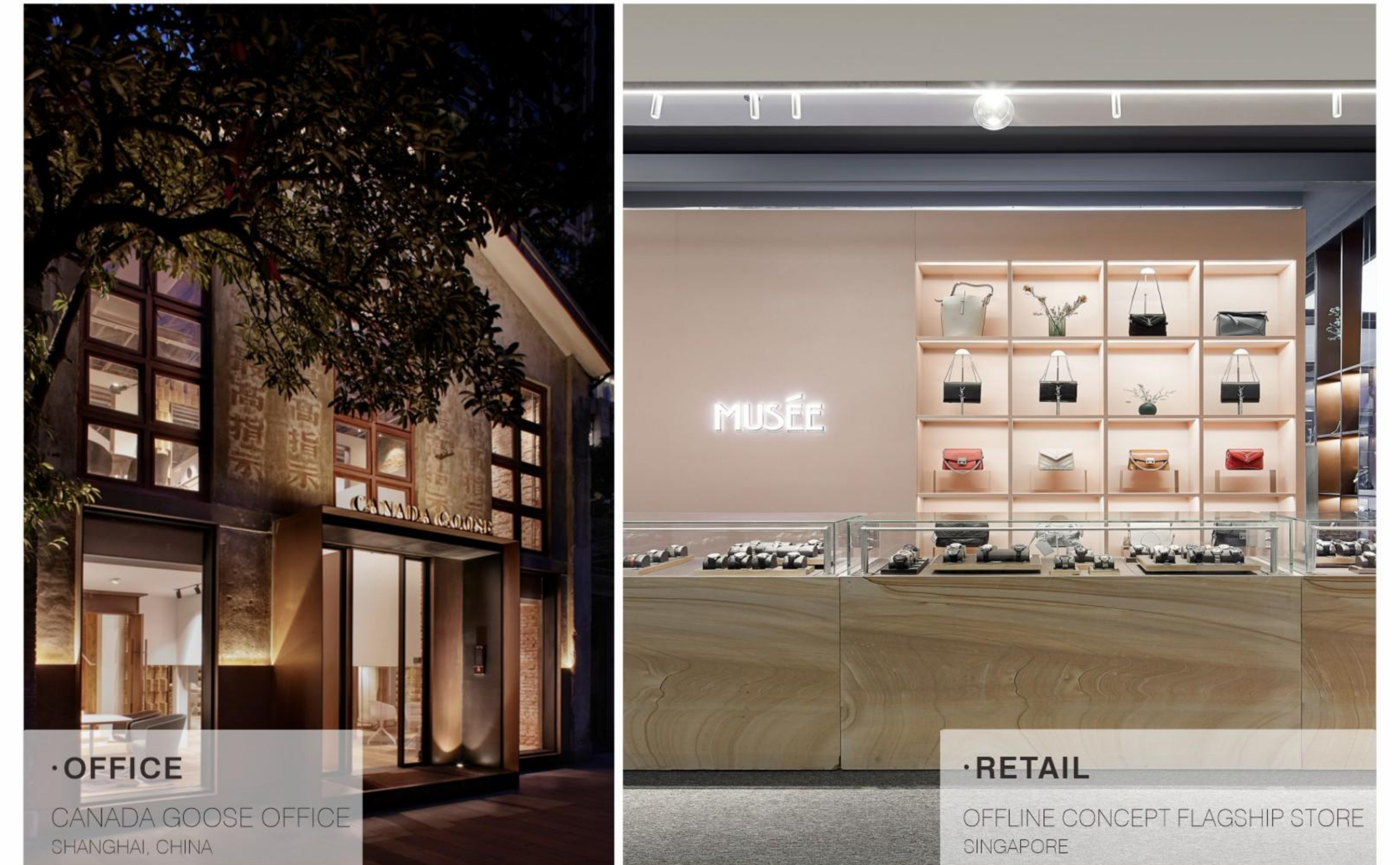
11

## DESIGNERS

FLUA welcomes long-term cooperation with powerful designers and provides service support for lighting scheme design. For designer cooperation projects, FLUA adopts a project protection policy to protect the rights and interests of designers.



## PROJECT



12

## PROJECT CONTRACTOR

For cooperated project contractors, FLUA provides project design and landing support to protect the project. FLUA has 72 stores all over the world, we will work with the nearest service provider to ensure the quality and progress of the project. For large-scale project, FLUA provides project tracking services from designing to landing, providing professional and high-quality commercial lighting products, and stable delivery to ensure the progress of the project.





**FACTORY INTRODUCTION**



FLUA was established in August 2010. Its predecessor was Jiangmen Puri High-Tech Lighting Co., Ltd. From 2010 to 2015, it mainly provided ODM manufacturing services for many well-known European lighting brands. At that time, it had its own R&D center, which provided corresponding product R&D and manufacturing according to customer needs. FLUA manufacturing center now has hardware, spraying, assembly, electronics, packaging materials and other production pipe-line workshops. Each production workshop operates independently and complements each other. It is the first to introduce high-tech production equipment such as large-scale CNC machining machines and robotic arms to achieve the production style as "mainly machine production. Human assistance". provides customers with high-quality products and accurate delivery dates.



## PRODUCT AFTER-SALES

FLUA has an independent experimental testing center. has various instruments and equipment such as salt spray testing machine, highest and lowest temperature aging test machine, impact testing machine, voltage impact testing machine, and waterproof testing room. FLUA makes full use of these equipment to ensure the promotion of new products. Before promote to market, all indicators can meet various international standards. FLUA provide 3-5 year warranty for all products.



## PRODUCT CERTIFICATION

FLUA factory has passed the ISO9001: 2008 quality management system certification since 2012, and obtained 3C, CE, TUV, BIS etc., It has established a sound quality control system that meets international standards to ensure product stability.



## SUPPLIERS

FLUA is happy to cooperate and grow with reliable suppliers. If you are interested in FLUA brand and want to participate as a FLUA supplier. Welcome to contact with us and hope we can create higher values together.





### HARI

Composing light in space, adapting to the unique requirements of each environment, creating new atmosphere to each room-all this is about the new collection of floor lamps HARI.

HARI lamp is designed by FLUA design team. The collection combines advanced technology with superior functionality and sophisticated design. The HARI lamp can serve various functional requirements simultaneously, dining room lamp, living room ambient light, reading lamp and for work purposes. Diffuser profile accommodates a line of LEDs, the slim profile bestows a visual refinement while also providing a surprising level of illumination. Thanks to its special unique design, HARI can match a lot of interior design requirement.

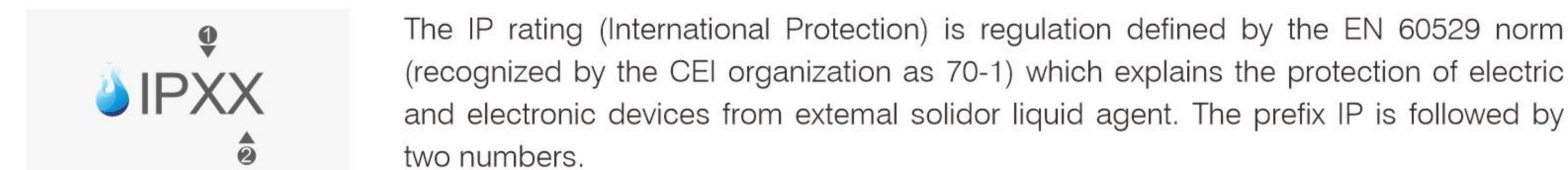


reddot award 2019  
winner lighting design







## SYMBOLS

	Complies with the European standard EN 60598-1
	CLASS III-Devices powered by safe voltage under 50V
	Device suitable for use in furniture
	Device suitable for mounting on normal flammable surfaces
	Correct disposal of this product (waste electrical & electronic equipment)
	Device can withstand weight up to Kg/cm <sup>2</sup> ...
	Walk over device
	Hole size
	Gross weight of the product in kg
	Use the protective shield and replace when cracked
	ios / android usb charger










## IP RATING
























1 The first number identifies the protection degree against the entry of solid foreign objects.

-  Protected from the entry of solid objects bigger than 50mm
-  Protected from the entry of solid objects bigger than 12mm
-  Protected from the entry of solid objects bigger than 2.5mm
-  Protected from the entry of solid objects bigger than 1mm
-  Protected from the entry of dust
-  Completely protected from the entry of dust

2 The second number identifies the protection degree against the entry of liquids.

-  Unprotected
-  Protected from water drops falling vertically
-  Protected from water falling with a maximum inclination of 15°
-  Protected from rain
-  Protected from sprinklings
-  Protected from water jets
-  Protected from wave
-  Protected against temporary immersion
-  Protected against permanent immersion  
(maximum depth 3 meters)

## DIMMING CONTROL

		Connecting and disconnecting the power supply.
		It uses FPC or RPC technology to achieve dimming, so it is also called controllable silicon dimming.
		Dali standard has defined a Dali network, including the largest 64 units (independent address), 16 groups and 16 scenarios.
		Use analog signal to control, drive output signal, adjust panel and system, then return signal to drive, drive to adjust output through signal reception.
		DIM TO WARM further deepens the color temperature by using the dimming principle through a specific light source and adjusts the range.
		DIM PUSH is designed by driving or specific electronic components so that luminaires can be dimmed and controlled by pressing buttons.
		TOUCH DIM Through the design of specific electronic components, so that the lamps and lanterns have convenient dimming function, the lamps and lanterns and dimming are integrated into one.
		Using TUYA chip technology, the lamps can be switched and dimmed through the mobile phone APP, support remote control and scene mode changing, and compatible with smart speakers.
		Adopting DALI protocol to realize the adjustment of lamps in both brightness and color temperature smoothly.
		The color temperature of lamp is adjusted by continuously turning on and off the light, while the brightness adjusted by edge phase controlling.
		Adopting pulse width modulation signal to realize the adjustment of lamps in both brightness and color temperature smoothly, compatible with a variety of PWM output drivers or protocols.
		Using TUYA chip technology, the lamps can be switched and dimmed through the mobile phone APP, support remote control and scene mode changing, and compatible with smart speakers.
		Connecting and disconnecting the power supply.
		Through DMX512 protocol to control the RGB color of the lamp, which needs to be used with a decoder.
		CS-3 has a more convenient way to use. it does not need to change the original electrical circuit, and it can have the function of lighting switch in sections.

## LED COLOURS


### Color temperature


Warm White 2700K 3000K 3500K


Neutral White 4000K


Cool White 5000K 5700K 6000K

### Other colors

Blue 

Red 

Green 


Amber 


### Full color


RGB  RGB 


RGB  RGBW 


## PECIAL LIGHTBEAM


C  Clear


W  White


A  Adjustable beam 20-60°

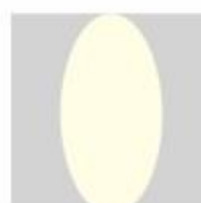
P  Asymmetric beam


L  180°

D  Diffused beam

I  Diamond Light

O1  Oval beam

O2  Oval beam

R  Radial

## DIMMING CONTROL

### Powder spray

PAW Sandy White

PAB Sandy Black

PCS Sandy Coffee

PCY Plain Champagne Yellow

PBK Plain Black

PSV Sandy Silver

PGY Sandy Dark Grey

PGN Plain Green

WLG Champagne Gold

### Spray paint (Liquid)

WWP Sandy White

WBP Sandy Black

WCP Sandy Coffee

WSG Glossy Silver

WGL Plain Gold

WOG Orange

WBR Matte Brown

WBL Black

### Anodized

ABS Sandy Black

AGS Sandy Silver

AMB Sandy Black

### Stainless steel

SSS Stainless Steel Primary

### Electroplate

24K Gold

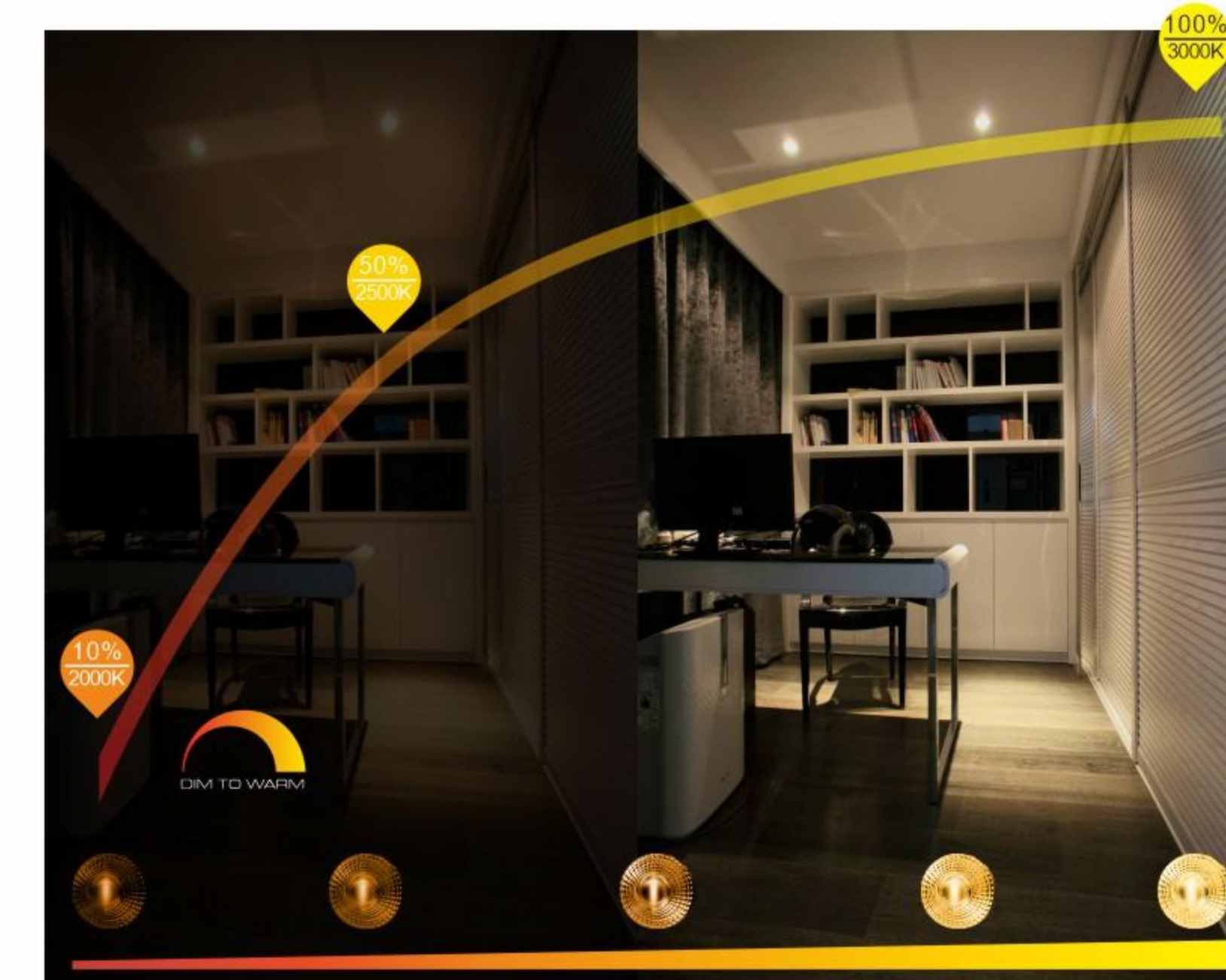
Rose Gold

Black Chrome

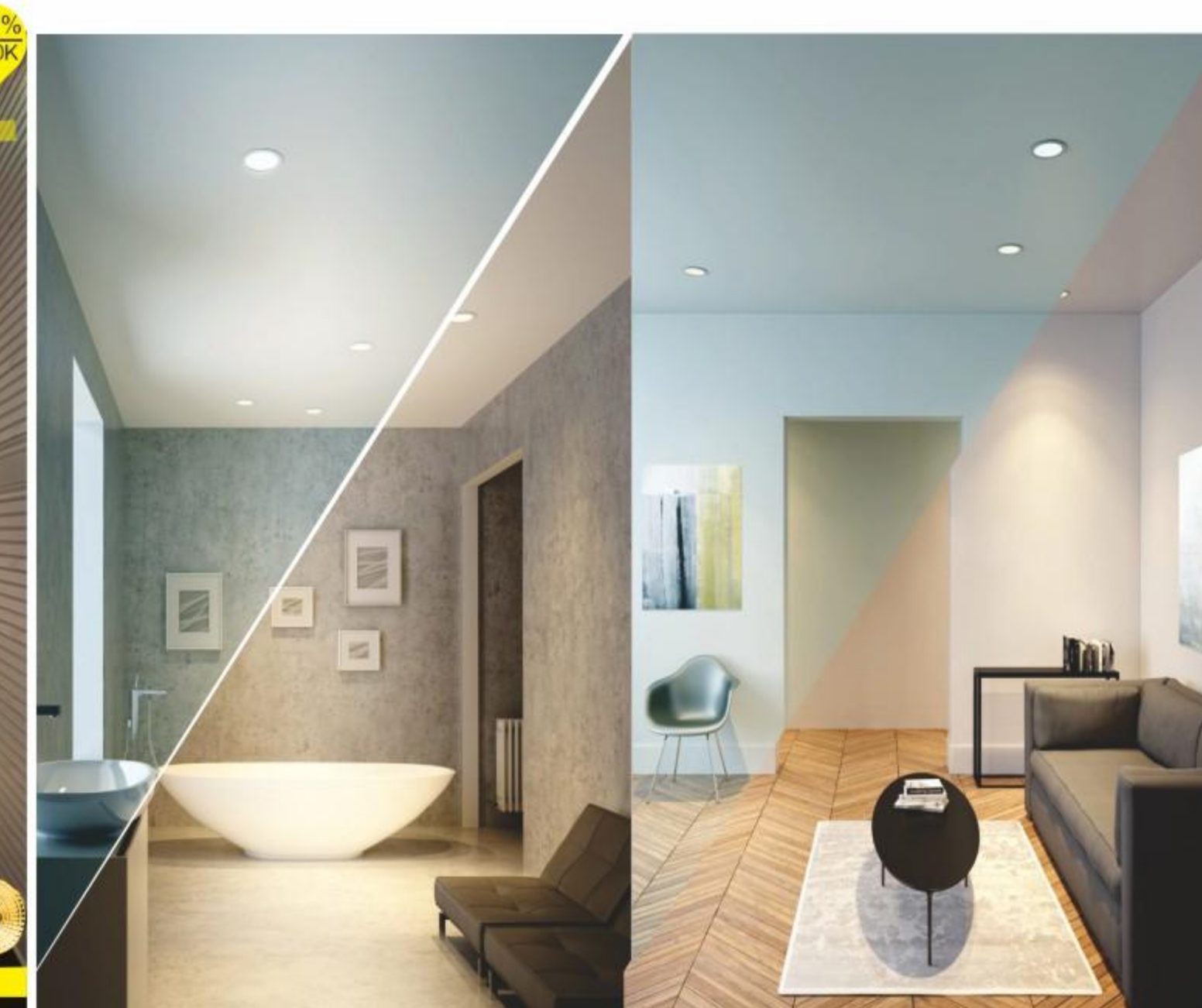
Chrome Plate

Sand Chrome

### Dimming And Color Matching 2000K-3000K



### Color Temperature Adjustable 2700K-5700K



Day/Night

Summer / Winter

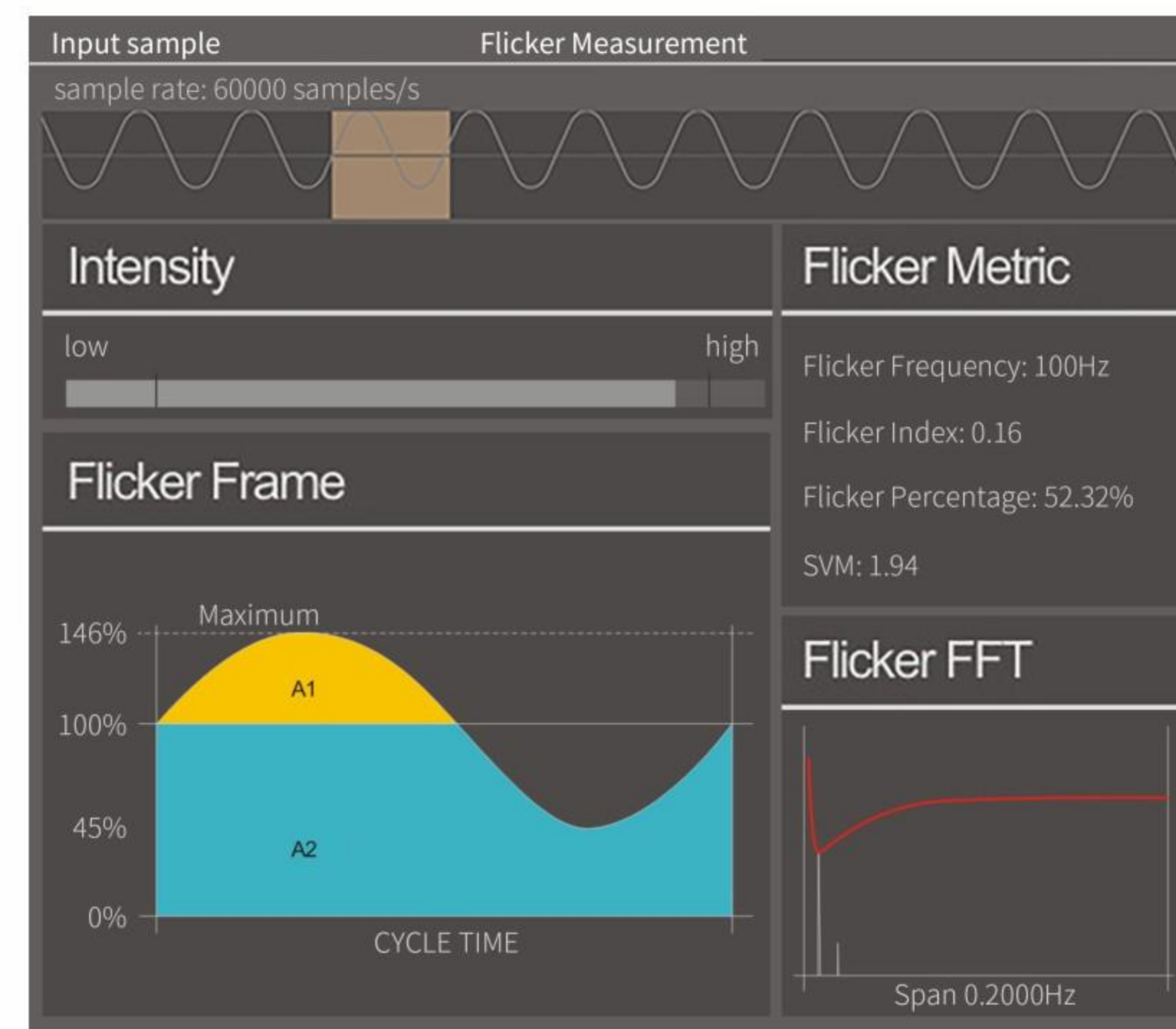
## FLICKER

### SVM: Stroboscopic Effect Visibility Measure

SVM < 1, stroboscopic invisible;  
SVM ≥ 1, stroboscopic visible.

### FI: Flicker Index

The stroboscopic index refers to the area above and below the average output of optical signal in a period of fluctuation, A1 and A2 respectively. IES recommends FI below 0.1 to ensure good lighting.  
Calculation formula:  $FI = A1 / (A1 + A2)$

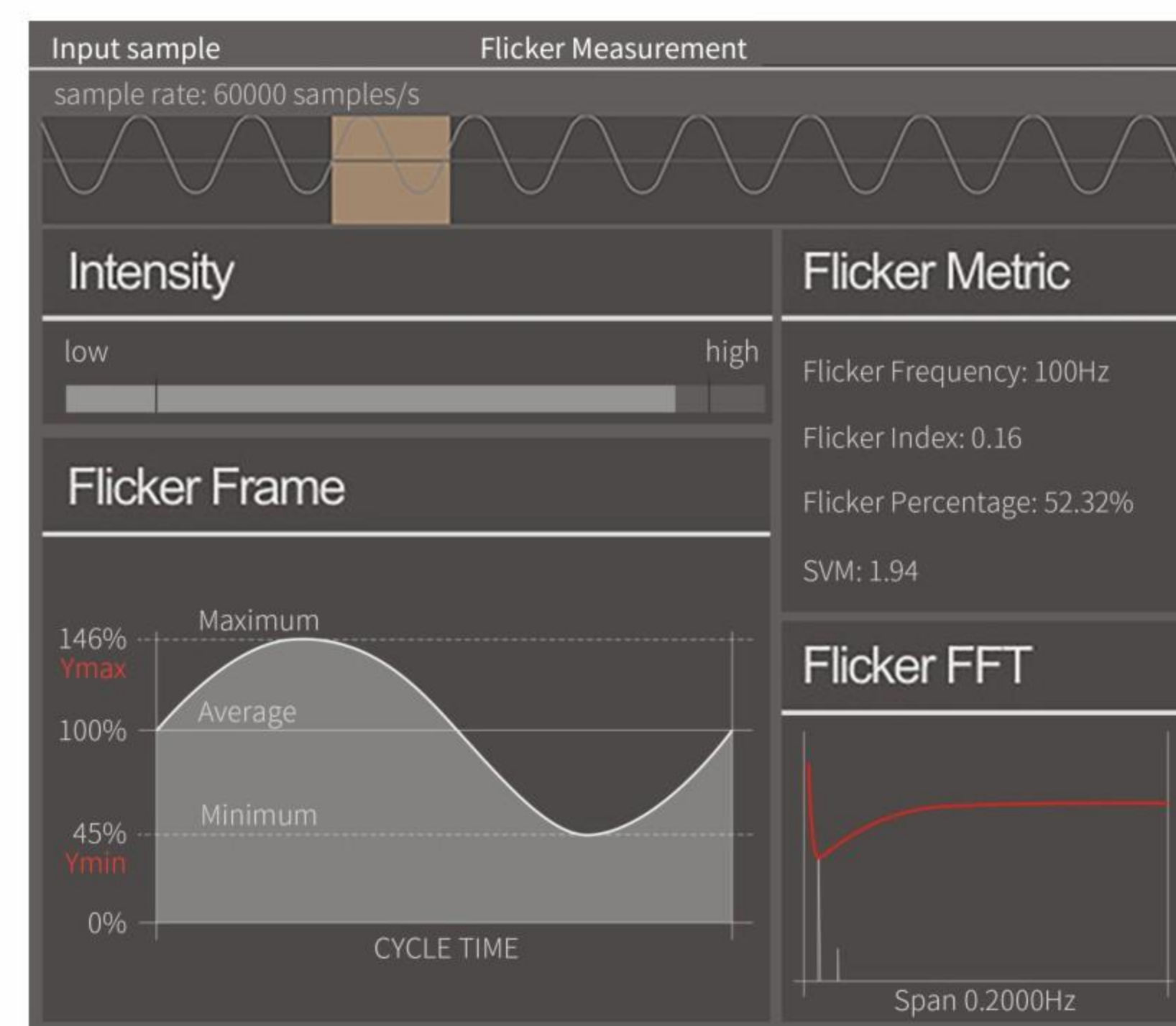


23

### PF: Flicker Percent

The stroboscopic percentage refers to the amplitude and depth of the fluctuation in the standard brightness during a period of fluctuation.

Calculation formula:  $PF = (Y_{max} - Y_{min}) / (Y_{max} + Y_{min})$

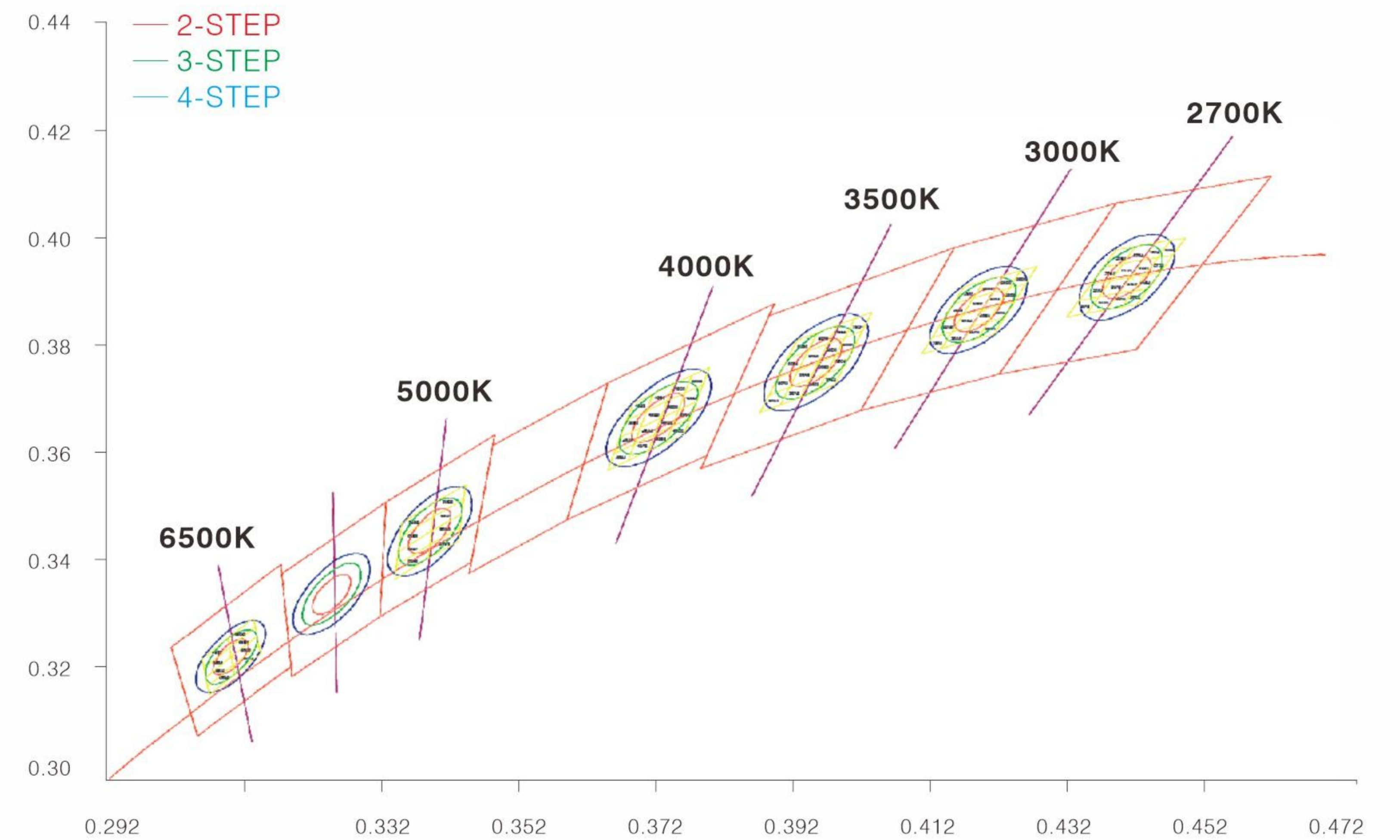


### FF: Flicker Frequency

The stroboscopic frequency refers to the number of stroboscopic fluctuations per second of lamps in seconds. Since the Fps of our eyes are 24 fps, we can't detect whether the lamps are flashing or not. For a variety of instruments and equipment, we provide stroboscopic frequency for technical personnel to refer to.

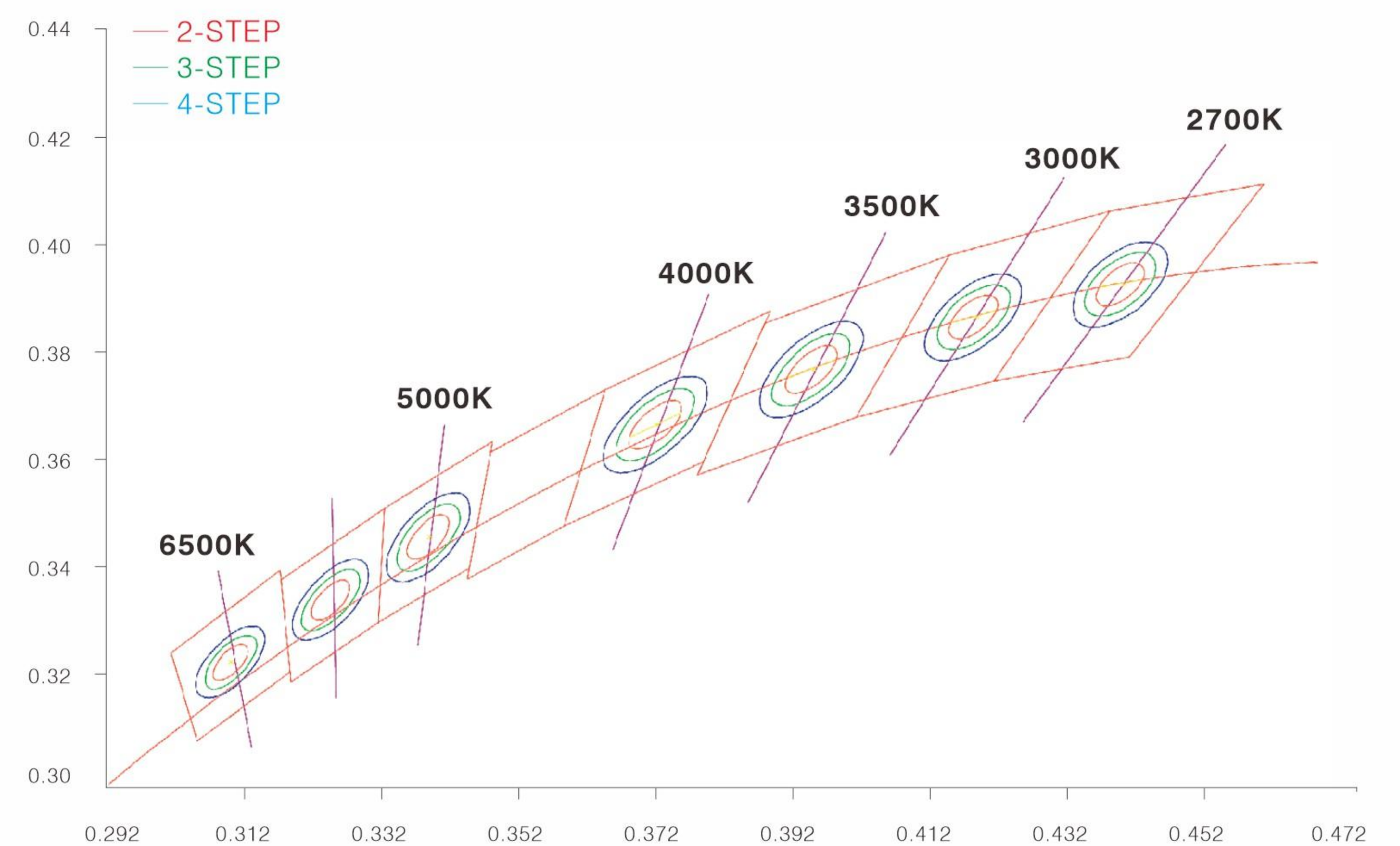
## SDCM

### SMD



24

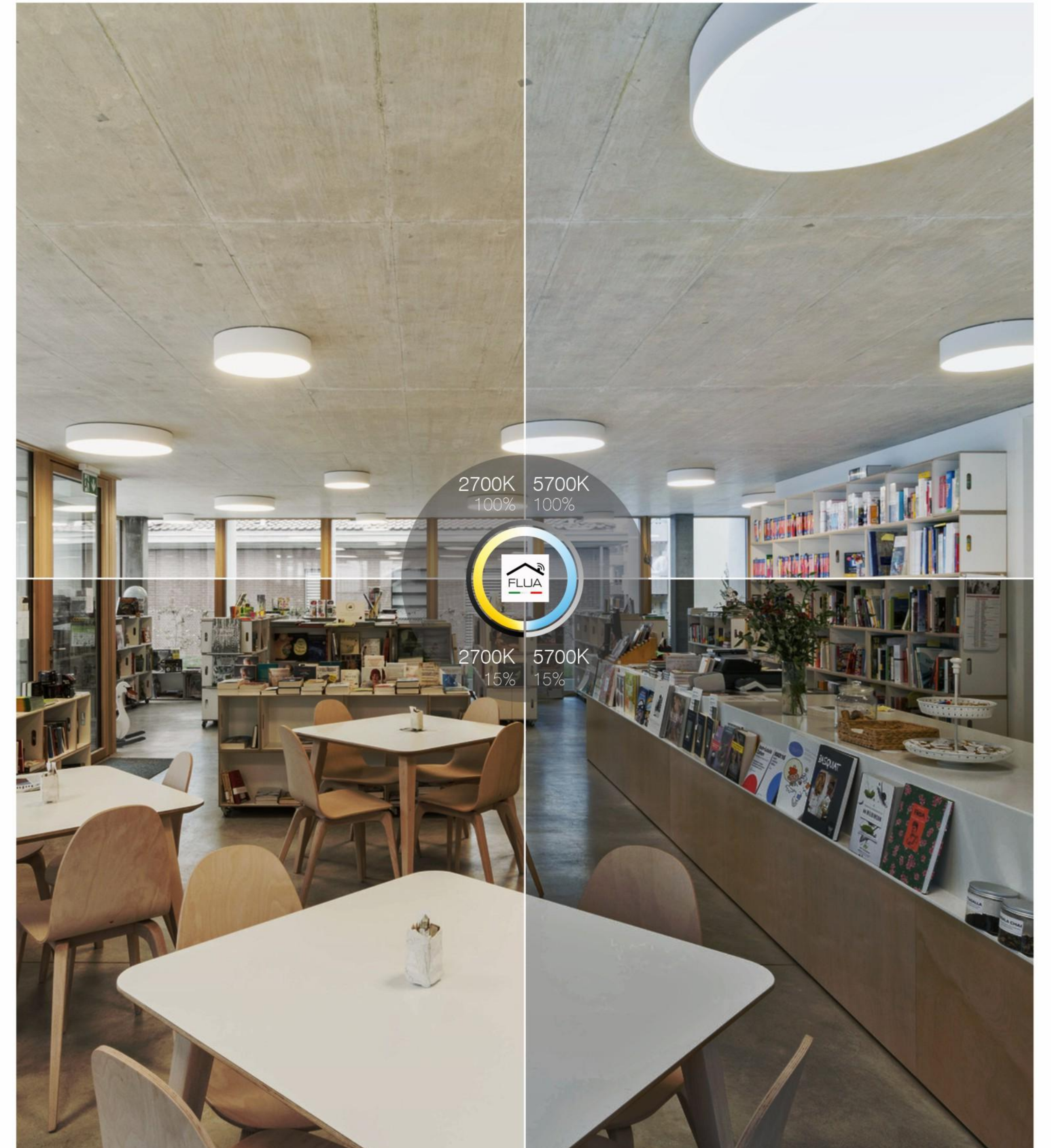
### COB





## CONTROL SYSTEM

FLUA first wired intelligent system, through different modules, lamps with different communication protocols such as SCR/DALI/0-10V can be connected to the system. Allow single light control or joint control of the entire scene. Except turning the lamp on/off, you can also use the control system to adjust the brightness, LED color and color temperature.










## LIGHTING HOME

FLUA's first wireless smart home software, connects the lighting in the whole house with WIFI or Bluetooth, controls the product through the Lighting Home APP and freely combines the scenes, without considering the line, you can change the FLUA APP version of the lighting to connect with the mobile phone at any time. Support panel control / mobile phone control and voice control and other control methods, easily change the color temperature and brightness of the lamp.





INTERIOR



























27-74	DOWNLIGHT	
75-100	DOWN LIGHT(MODULAR)	
44/101-106	SPOT LIGHT	
107-122	NORMAL TRACK LIGHT	
123-176	BUCKLE TRACK LIGHT(LUCA S)	
177-236	BUCKLE TRACK LIGHT(LUCA M)	
237-244	NORMAL TRACK	



# INTERIOR PROFESSIONAL LIGHTING

 Indicates That The Series Or Series Contains Waterproof Products

## DOWNLIGHT

					
<b>IDUN M+</b> 37-52	<b>IDUN M+ AD</b> 37-52	<b>IDUN M+ S1</b> 37-52	<b>IDUN M+ S2</b> 37-52	<b>IDUN M+ S3</b> 37-52	<b>IDUN M AD SQUARED</b> 37-52
					
<b>IDUN M+ AD S1</b> 37-52	<b>IDUN M+ AD S2</b> 37-52	<b>IDUN M+ AD S3</b> 37-52	<b>IDUN M+ BOX</b> 37-52	<b>IDUN M+ BOX DOUBLE</b> 37-52	<b>IDUN M BOX TRIPLE</b> 37-52
					
<b>NIC L</b> 53-58	<b>NIC L-</b> 53-58	<b>NIC L AD</b> 53-58	<b>NIC L AD-</b> 53-58	<b>NIC L DEEP</b> 53-58	<b>NIC L DEEP-</b> 53-58
					
<b>NISA s/s+</b> 59-64	<b>NISA s/s+ AD</b> 59-64	<b>NISA M/M+</b> 59-64	<b>NISA M AD /M+ AD</b> 59-64	<b>SCOPO s</b> 65-74	<b>SCOPO M</b> 65-74
					
<b>SCOPO s AD</b> 65-74	<b>SCOPO M AD</b> 65-74				

29

## DOWNLIGHT(MODOULAR)

					
<b>DINA s/s+</b> 75-82	<b>DINA M/M+</b> 75-82	<b>DINA s/s+ OVAL</b> 75-82	<b>DINA M+/M+ OVAL</b> 75-82	<b>FAST s TRIMLESS</b> 83-92	<b>FAST M+ TRIMLESS</b> 83-92
					
<b>FAST s RO</b> 83-92	<b>FAST M RO</b> 83-92	<b>FAST s+ RO</b> 83-92	<b>FAST M+ RO</b> 83-92	<b>FAST s SQ</b> 83-92	<b>FAST M+ SQ-</b> 83-92
					
<b>VIKA s RO</b> 93-100	<b>VIKA M RO</b> 93-100	<b>VIKA s+ RO</b> 93-100	<b>VIKA M RO</b> 93-100	<b>VIKA s TRIMLESS</b> 93-100	<b>VIKA M+ TRIMLESS</b> 93-100

30

## SPOTLIGHT



**GLORY IN M**  
101-106



**GLORY IN XXL**  
101-106



**GLORY ON M**  
101-106



**GLORY ON XXL**  
101-106



**IDUN**  
44

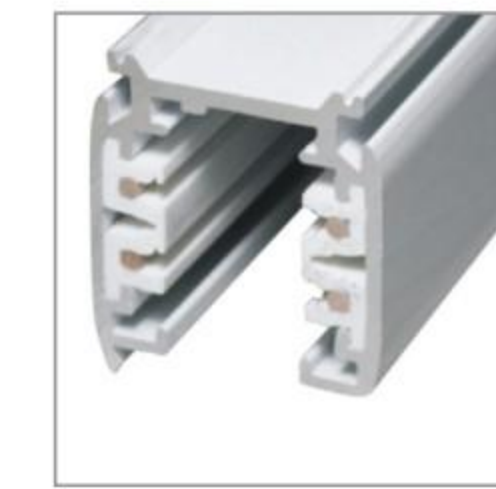
## NORMAL TRACK



**TRACK SYSTEM**  
237-244



**TRACK SYSTEM**  
237-244



**TRACK SYSTEM**  
237-244

## NORMAL TRACK LIGHT



**GRACE Txs**  
107-112



**GRACE Ts**  
107-112



**GRACE Tm**  
107-112



**GRACE Tl**  
107-112



**HUNTER Ts**  
113-116



**HUNTER Tm**  
113-116



**ORIAN Tss**  
117-122



**ORIAN Ts**  
117-122

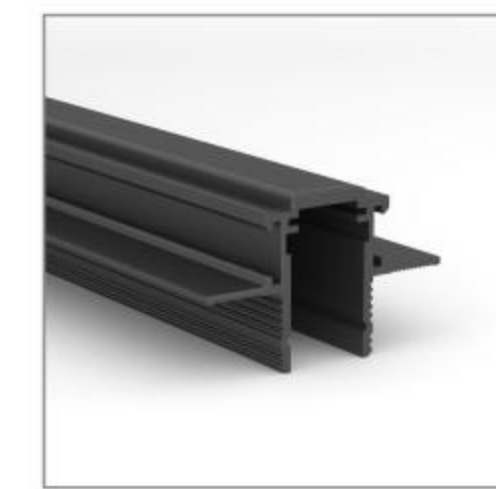


**ORIAN Tm**  
117-122



**ORIAN Tl**  
117-122

## BUCKLE TRACK



**LUCA S**  
123-176

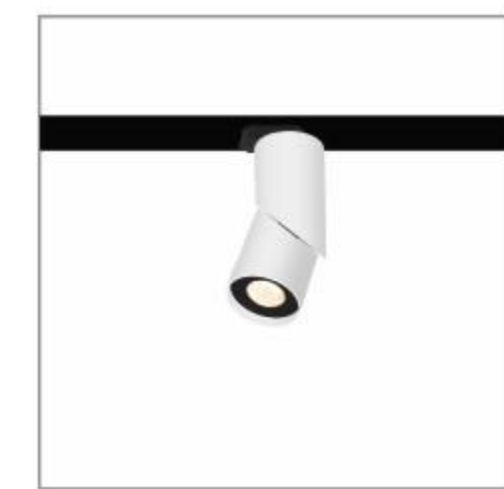


**LUCA M**  
177-236

BUCKLE TRACK LIGHT(LUCA S)



**ARCA** 129-130   **DOMO** 131-132   **ELF** 133   **FAVOR** 134-135   **FLAT** 136   **HUNTER** 137



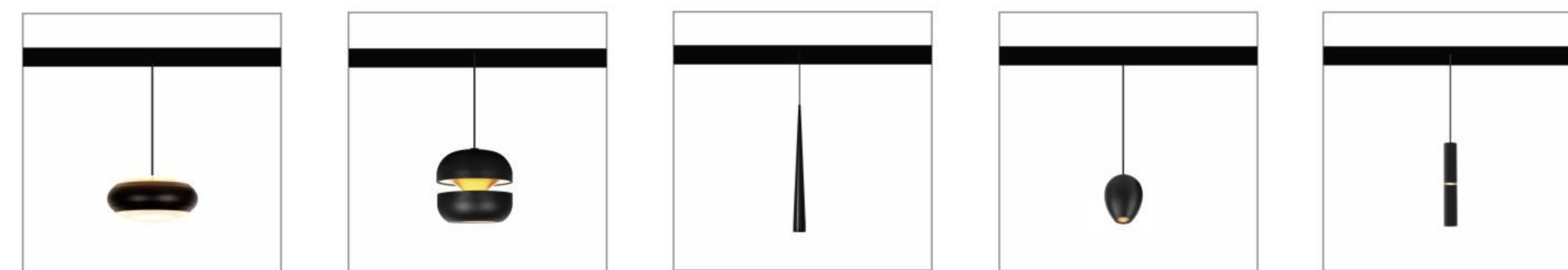
**TURN** 138-140



**AHRI** 141-142   **GUIDE** 143   **MOONLINE** 144   **SHINY** 145-150

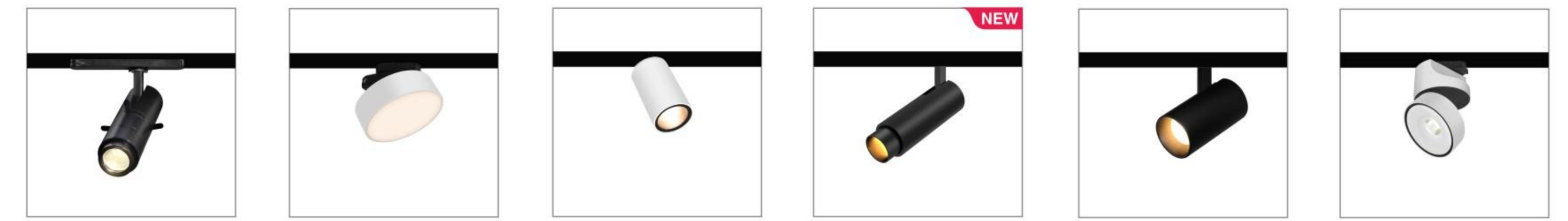


**ATHENA** 151   **COBIN** 152-153   **FAIRY** 154   **ELF** 155   **FORMULIA** 156   **HOPPER** 157-158



**LISSO** 159   **MELA** 160   **MIA** 161   **PALLAS** 162-164   **PROMEO** 165

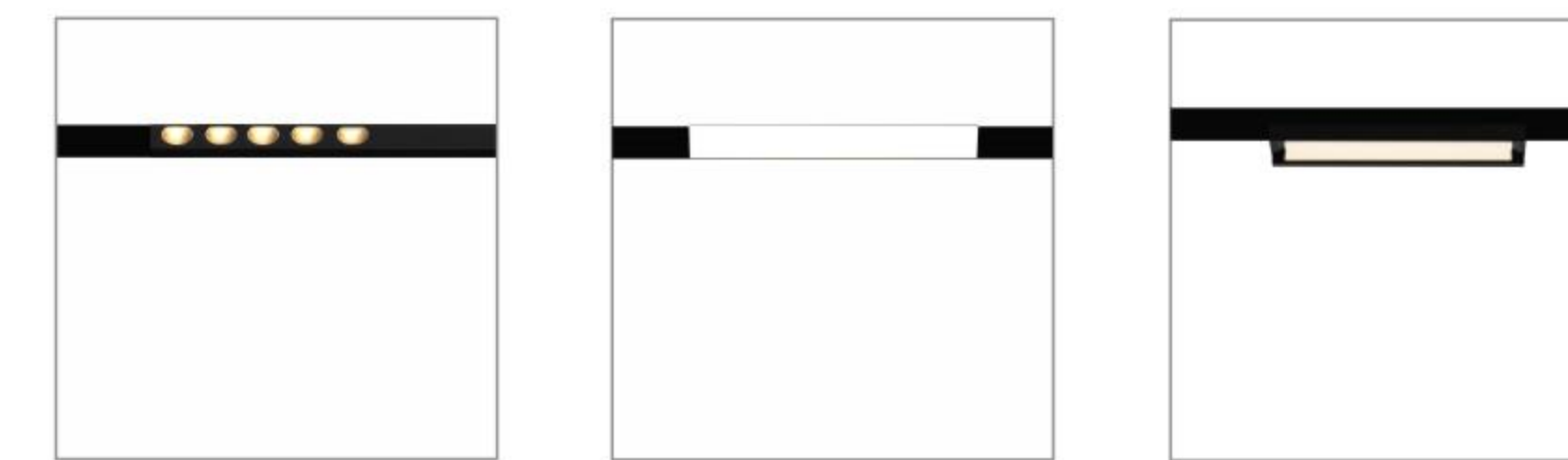
BUCKLE TRACK LIGHT(LUCA M)



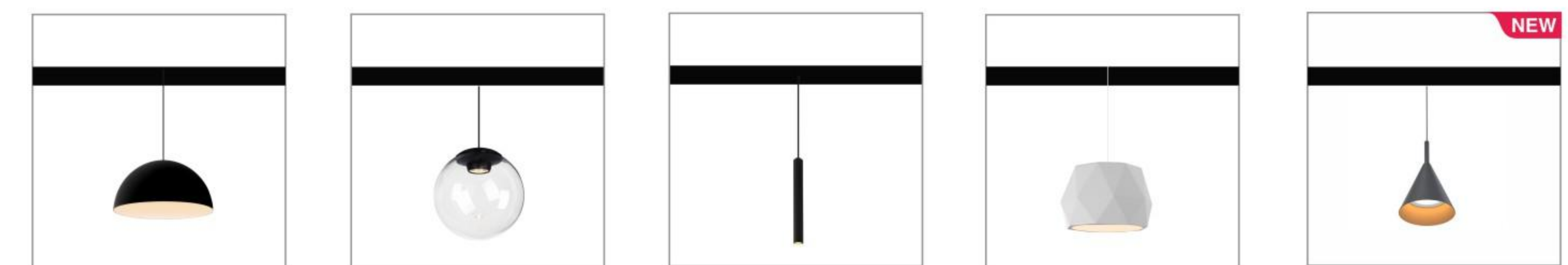
**ABACO** 181-182   **DOMO** 183-186   **FAVOR** 187-188   **GEN** 189-192   **GLORY** 193-195   **GRID** 196



**GRACE** 197-198   **GUBI** 199   **ORIAN** 200-203   **RING** 204-205   **TURN** 206-208



**AHRI** 209   **MOONLINE** 210   **SLIK** 211



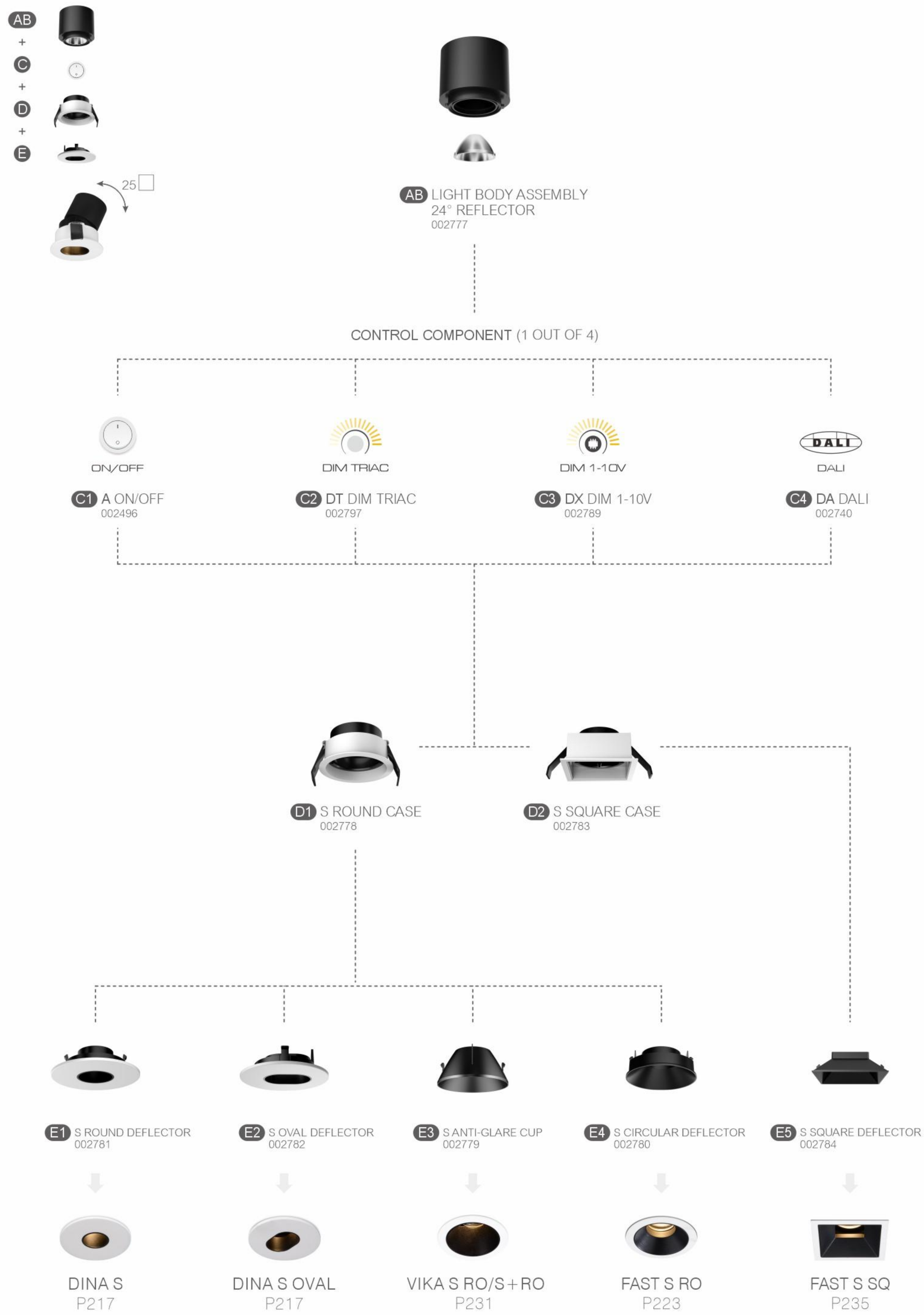
**ELISA** 212-213   **FAIRY** 214   **FORMULIA** 215   **GESSO** 216-219   **HOPPER** 220-221



**LISSO** 222   **MELA** 223   **PALLAS** 224-225   **PROMEO** 226

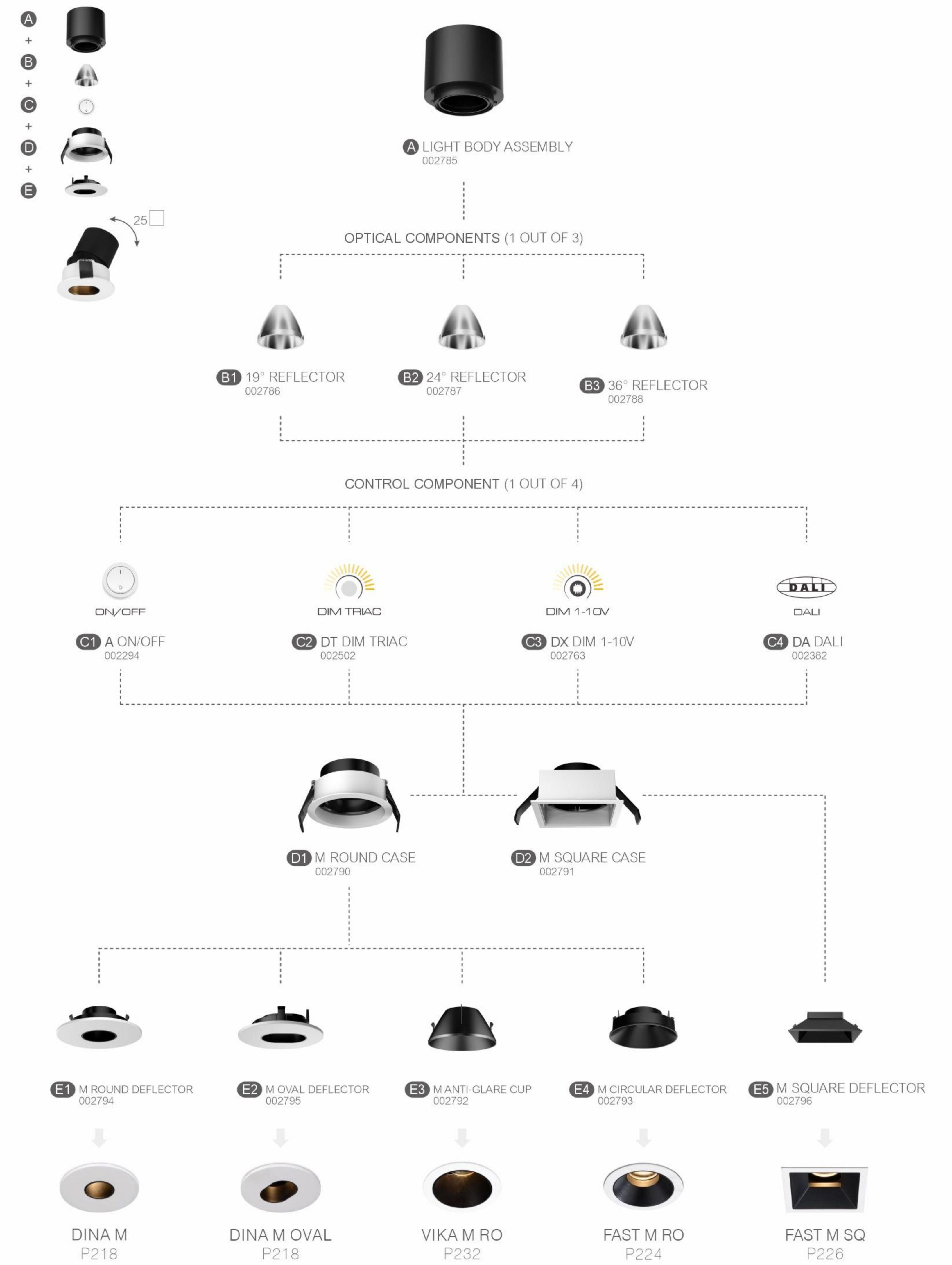
# MODULAR DOWN LIGHT

DINA / VIKA / FAST S SPLIT DETAILS



# MODULAR DOWN LIGHT

DINA / VIKA / FAST M SPLIT DETAILS



## IDUN 2.0

With the curved cover design, to ensure the quality of the light,  
while a considerable to avoid glare;  
Complete series, a variety of installation methods and a variety of power options.

© CE RoHS LED IP20 V



M+ 2.0



M+ AD 2.0



M AD SQUARED 2.0



M+ BOX



M+ BOX DOUBLE



M+ BOX TRIPLE



M+ BOX DOUBLE



M+ BOX



M+ S2



M+ S3



M+ S1



M+ ADS1



M+ ADS2



M+ ADS3



ON



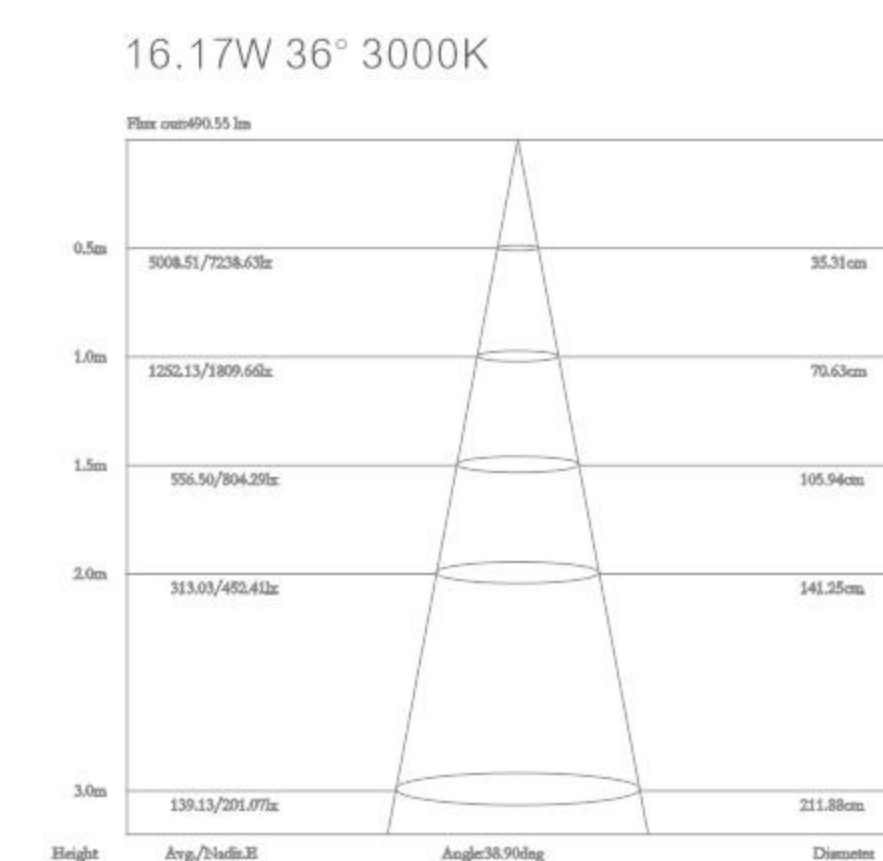
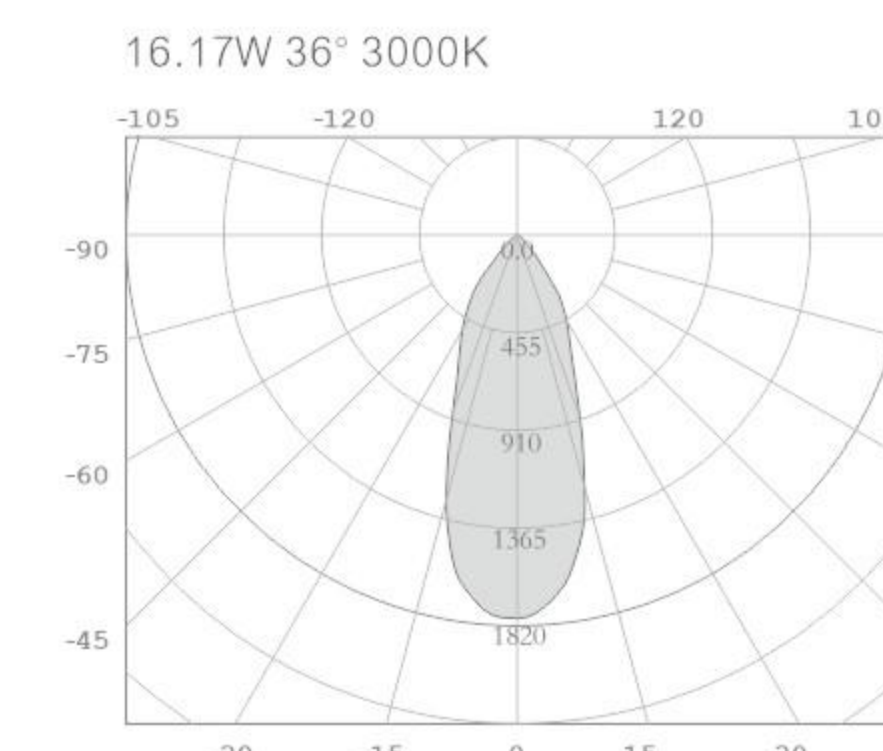
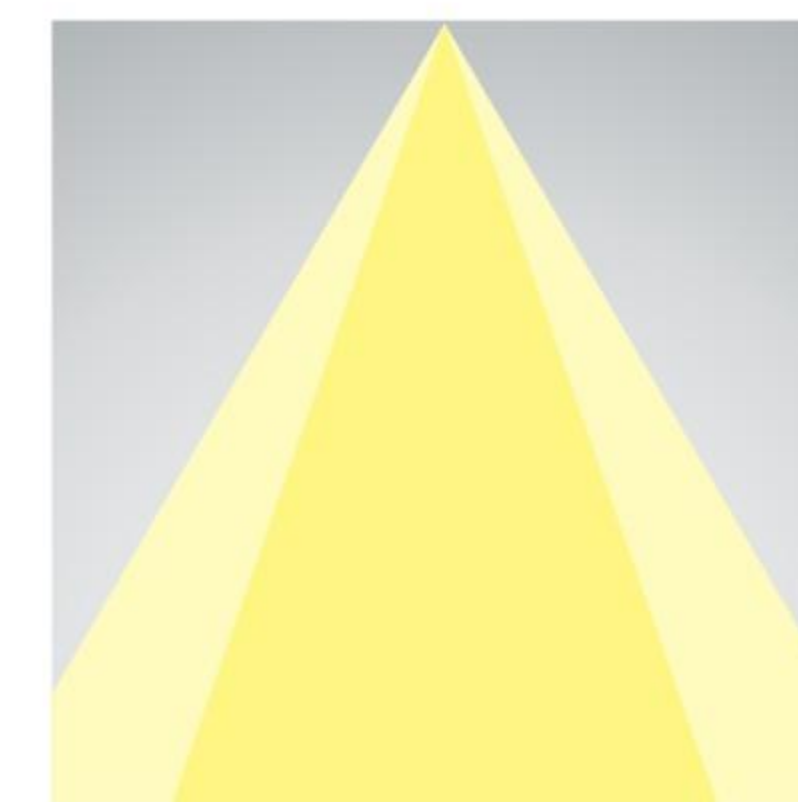


IDUN M+ 2.0 

LED POWER: 16.17W  
 LED LUMEN: 1758LM/3000K  
 LUMINAIRE LUMEN: 1160LM/3000K  
 INPUT: 220-240VAC,50/60Hz  
 CRI: 90  
 HOLE SIZE:Φ98mm



ANGLE 36°

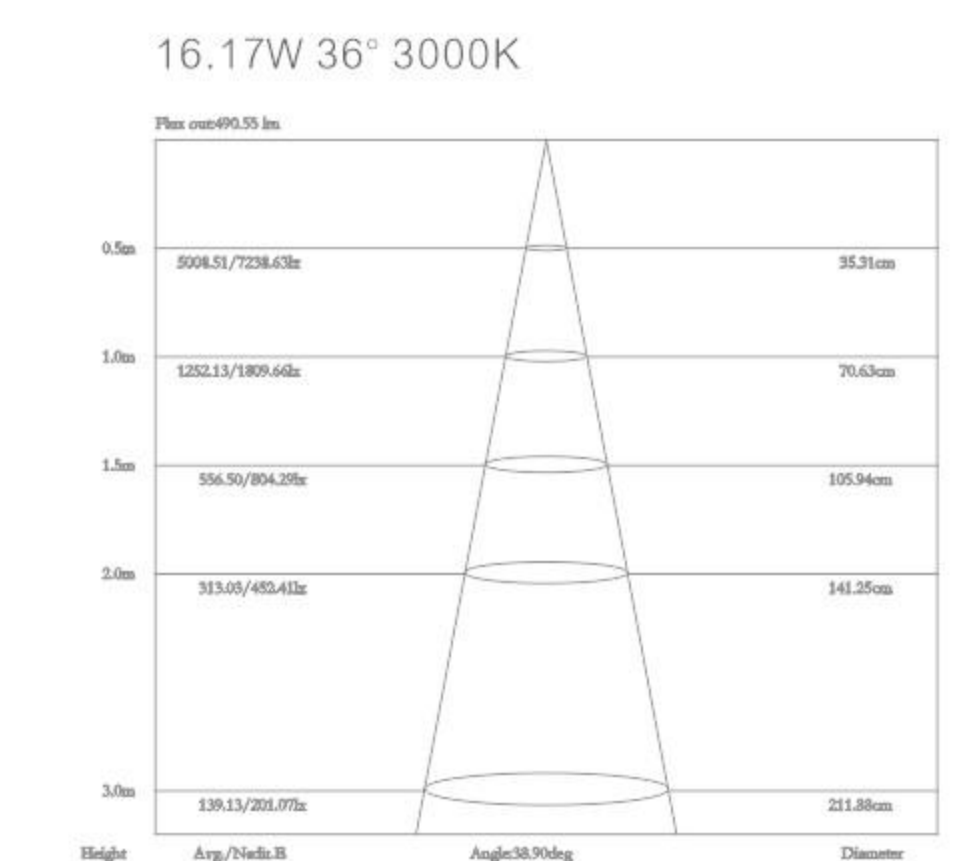
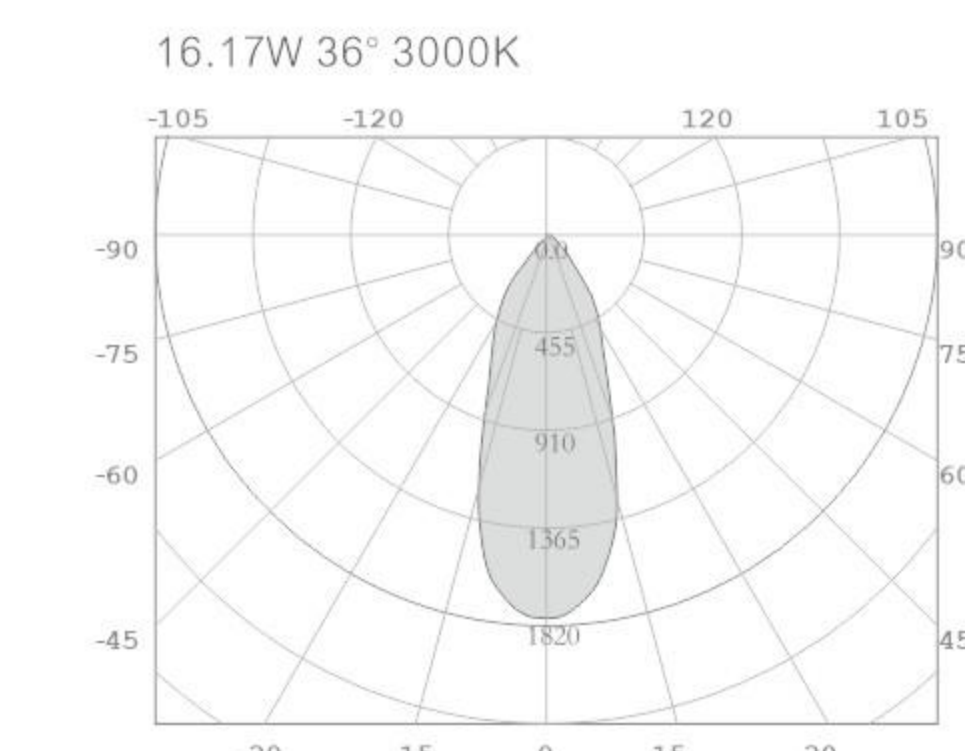
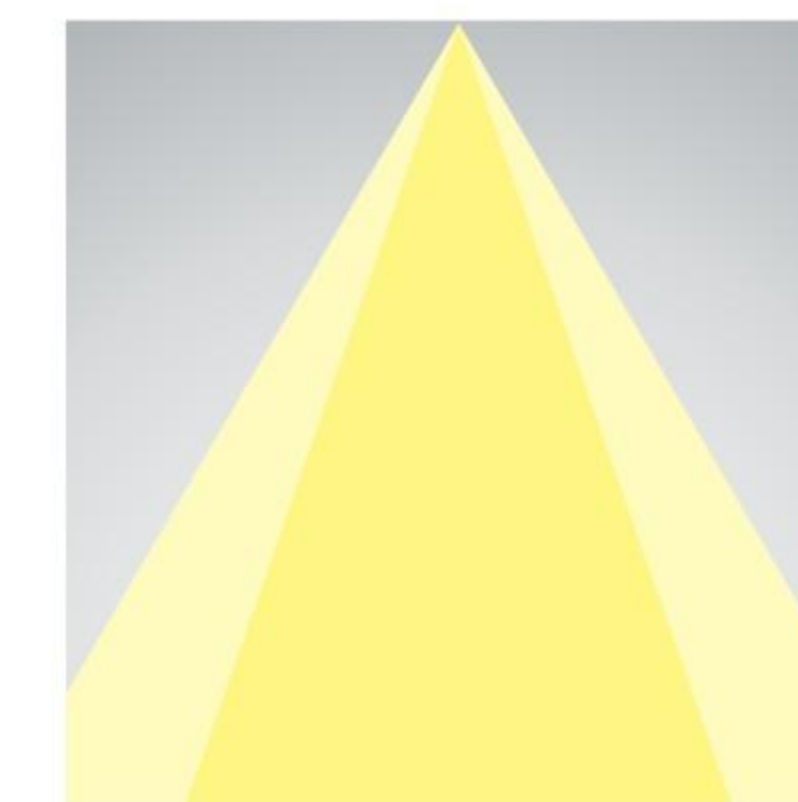


IDUN M+ AD 2.0 

LED POWER: 16.17W  
 LED LUMEN: 1758LM/3000K  
 LUMINAIRE LUMEN: 1160LM/3000K  
 INPUT: 220-240VAC,50/60Hz  
 CRI: 90  
 HOLE SIZE:Φ100mm

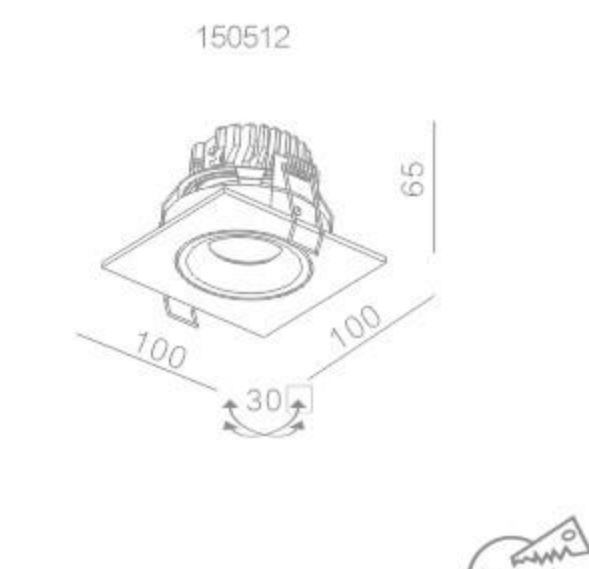


ANGLE 36°

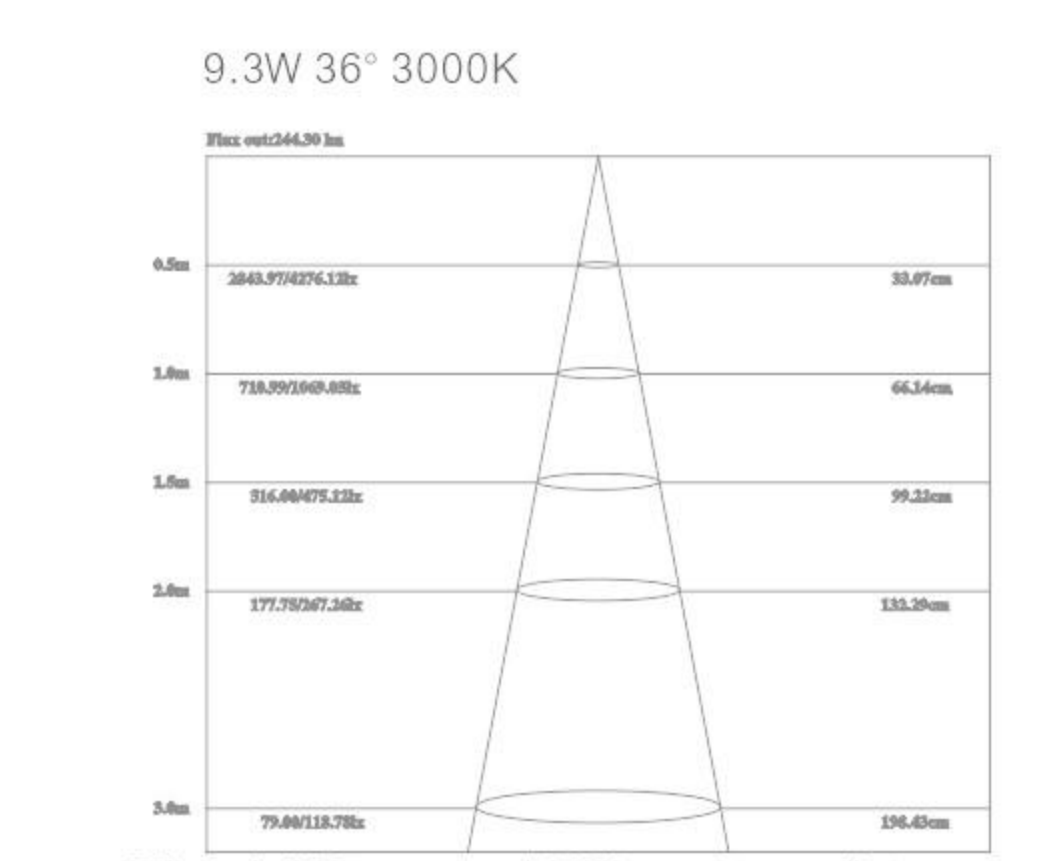
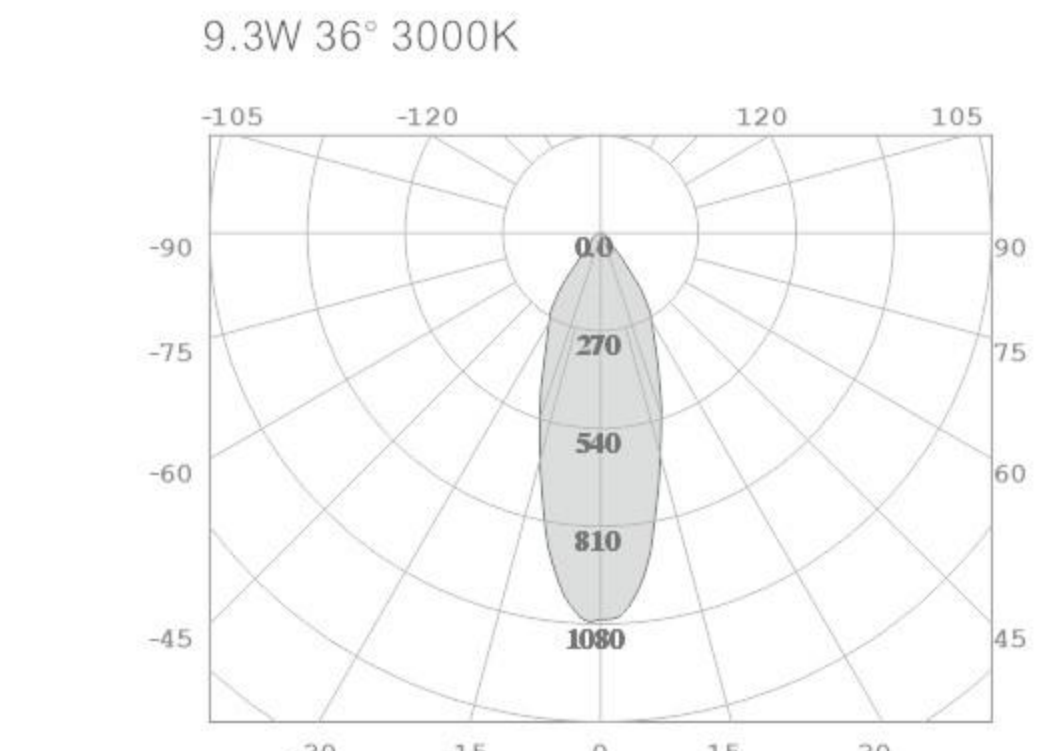
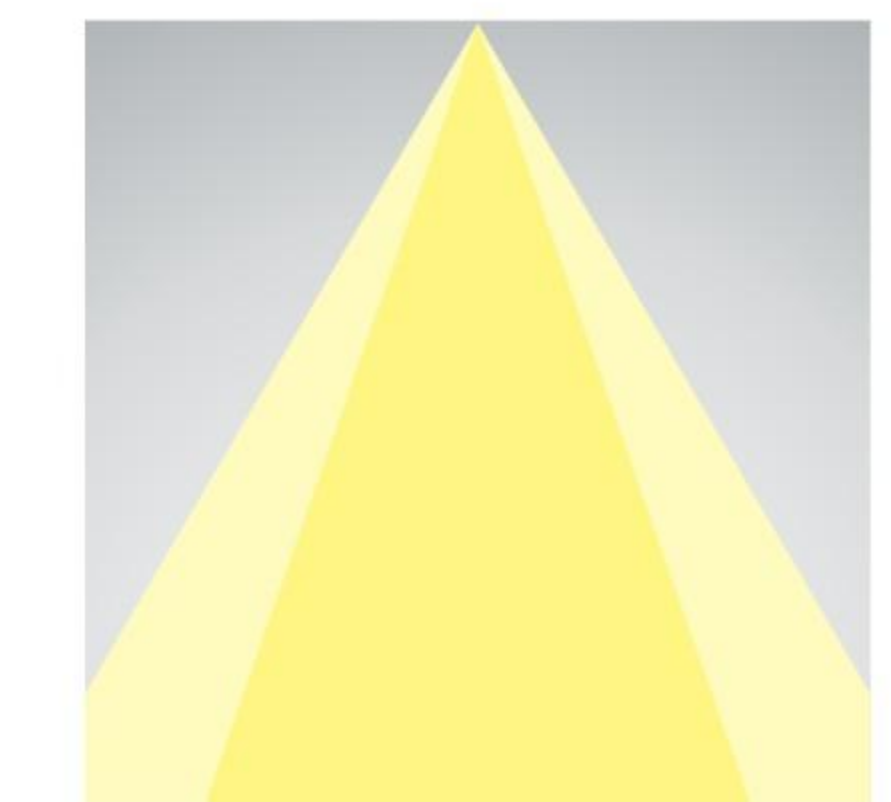


IDUN M AD SQUARED 2.0 

LED POWER: 9.3W  
 LED LUMEN: 1009LM/3000K  
 LUMINAIRE LUMEN: 651LM/3000K  
 INPUT: 220-240VAC,50/60Hz  
 CRI: 90  
 HOLE SIZE:Φ90mm



ANGLE 36°



OPTION:

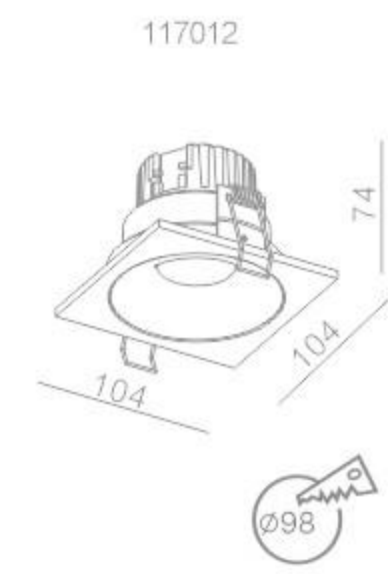
CODE	POWER	COLOR TEMP	BEAN ANGLE	CCT	DRIVER TYPE
113812	19.1W	Glossy White/Sandy White	36°/28°/48°	2700K/3000K/3500K/4000K/5000K/6500K	DT/DX/ON-OFF
150612	19.1W	Glossy White/Sandy White	36°/28°/48°	2700K/3000K/3500K/4000K/5000K/6500K	DT/DA/DX/ON-OFF
150512	11.2W	Glossy White/Sandy White	36°/17°/25°	2700K/3000K/3500K/4000K/5000K/6500K	DT/ON-OFF

# IDUN 2.0

# IDUN 2.0

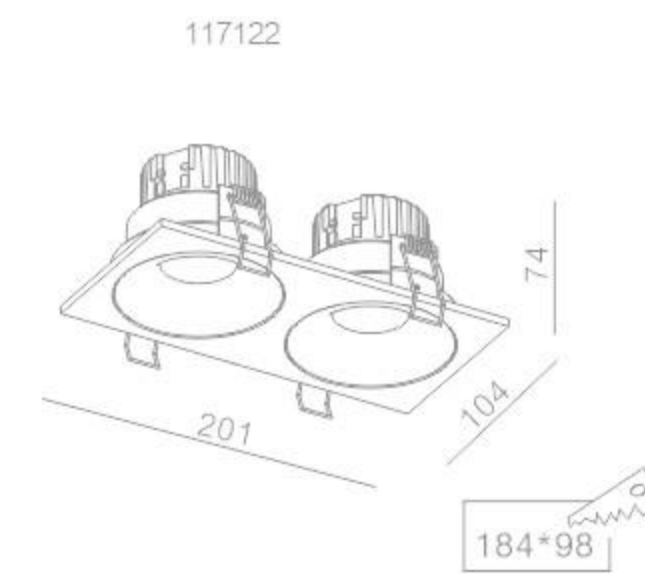
## IDUN M+ S1 2.0

LED POWER: 16.17W  
LED LUMEN: 1758LM/3000K  
LUMINAIRE LUMEN: 1160LM/3000K  
INPUT: 100-240VAC,50/60Hz  
CRI: 90  
HOLE SIZE:Φ98mm



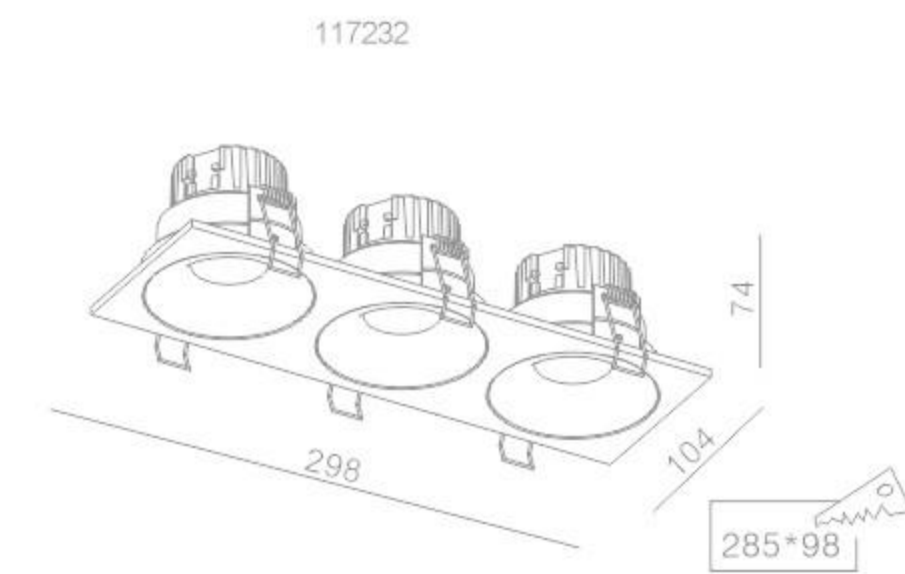
## IDUN M+ S2 2.0

LED POWER: 2\*16.17W  
LED LUMEN: 1758LM/3000K  
LUMINAIRE LUMEN: 2320LM/3000K  
INPUT: 100-240VAC,50/60Hz  
CRI: 90  
HOLE SIZE:Φ184\*98mm



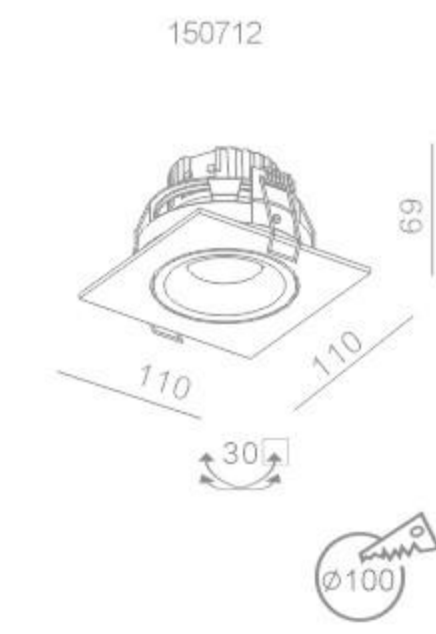
## IDUN M+ S3 2.0

LED POWER: 3\*16.17W  
LED LUMEN: 1758LM/3000K  
LUMINAIRE LUMEN: 3480LM/3000K  
INPUT: 100-240VAC,50/60Hz  
CRI: 90  
HOLE SIZE:Φ285\*98mm



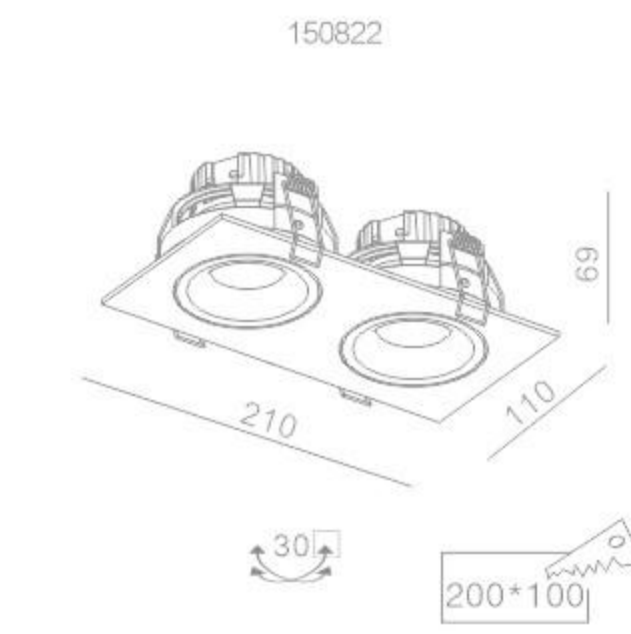
## IDUN M+ AD S1 2.0

LED POWER: 16.17W  
LED LUMEN: 1758LM/3000K  
LUMINAIRE LUMEN: 1160LM/3000K  
INPUT: 220-240VAC,50/60Hz  
CRI: 90  
HOLE SIZE:Φ100mm



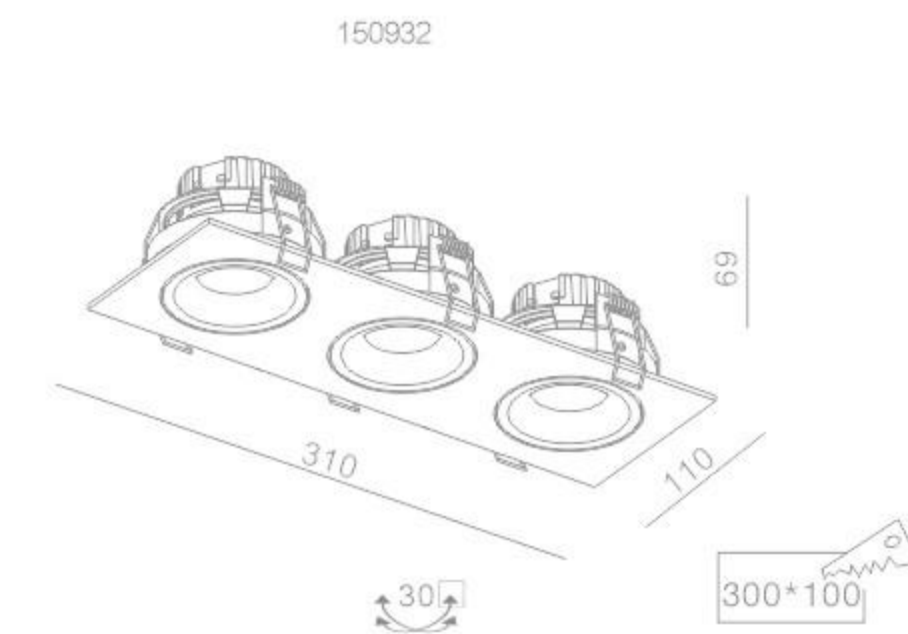
## IDUN M+ AD S2 2.0

LED POWER: 2\*16.17W  
LED LUMEN: 1758LM/3000K  
LUMINAIRE LUMEN: 2320LM/3000K  
INPUT: 220-240VAC,50/60Hz  
CRI: 90  
HOLE SIZE:Φ200\*100mm

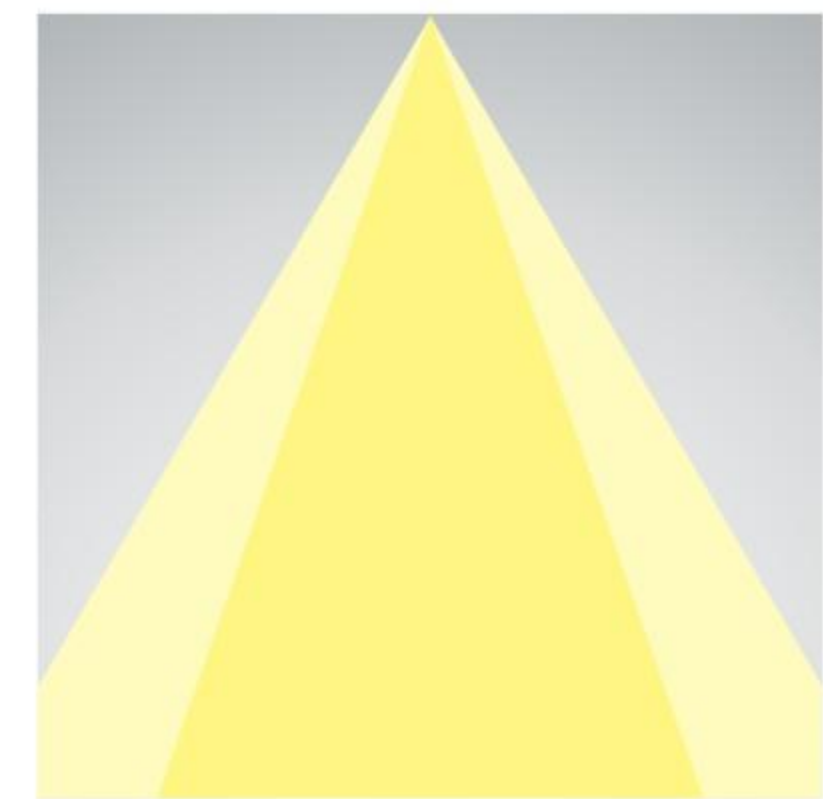


## IDUN M+ AD S3 2.0

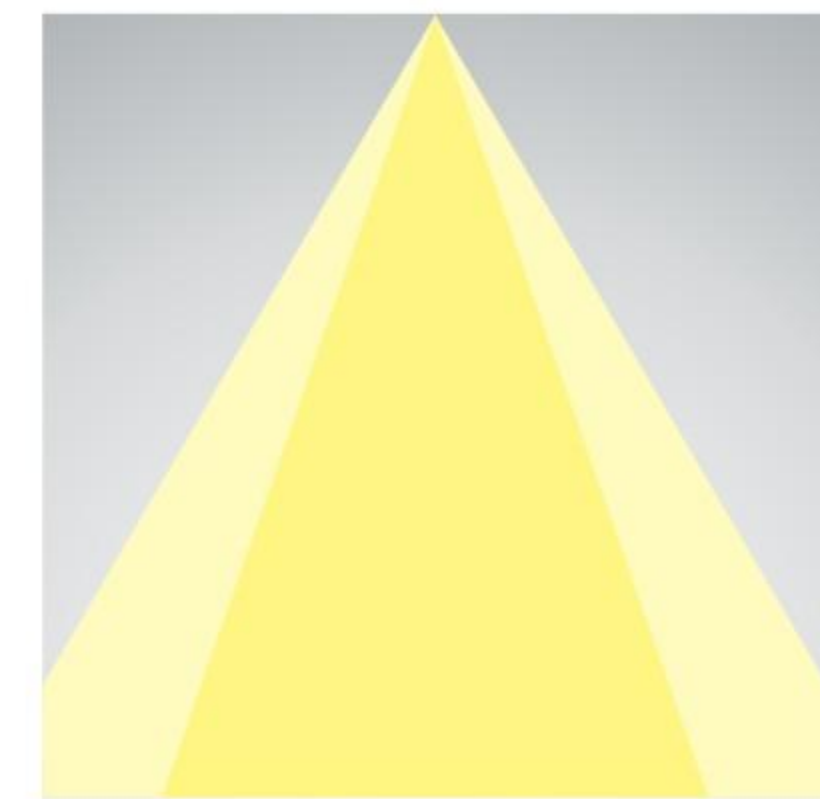
LED POWER: 3\*16.17W  
LED LUMEN: 1758LM/3000K  
LUMINAIRE LUMEN: 3480LM/3000K  
INPUT: 220-240VAC,50/60Hz  
CRI: 90  
HOLE SIZE:Φ300\*100mm



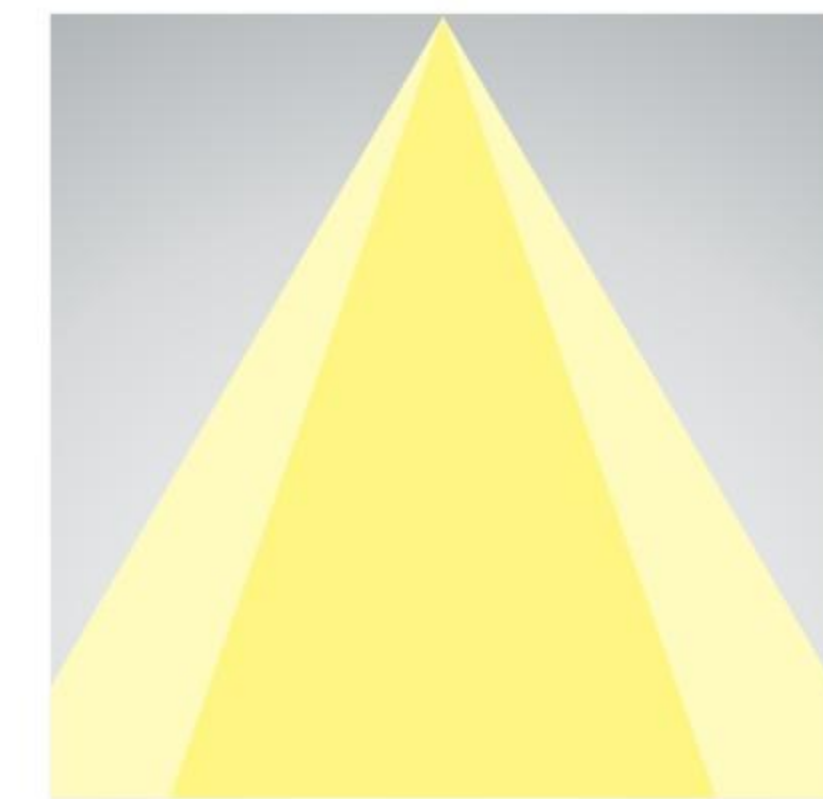
ANGLE 36°



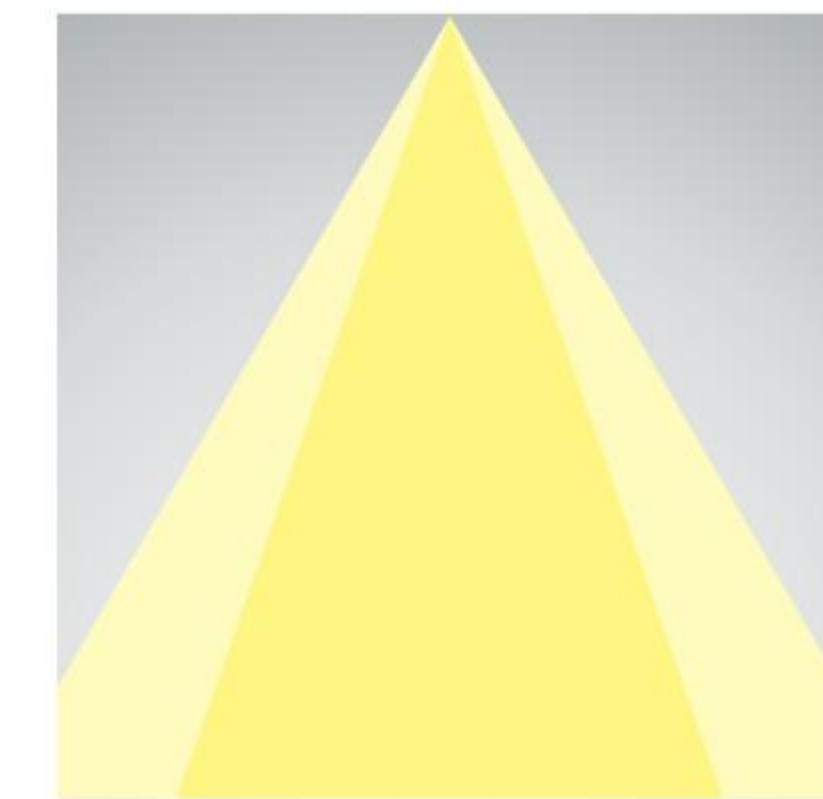
ANGLE 36°



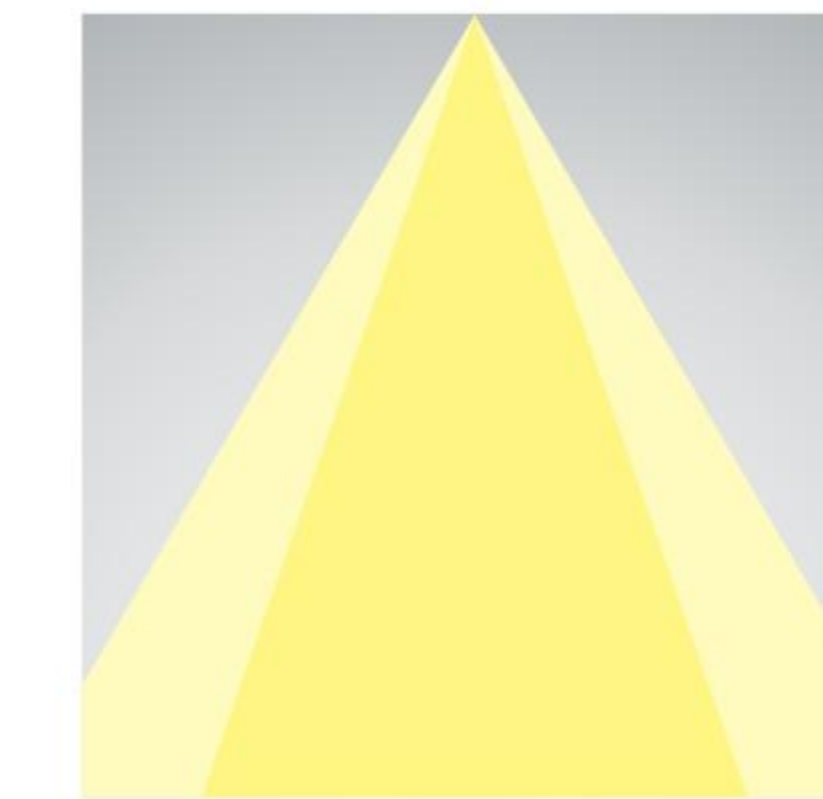
ANGLE 36°



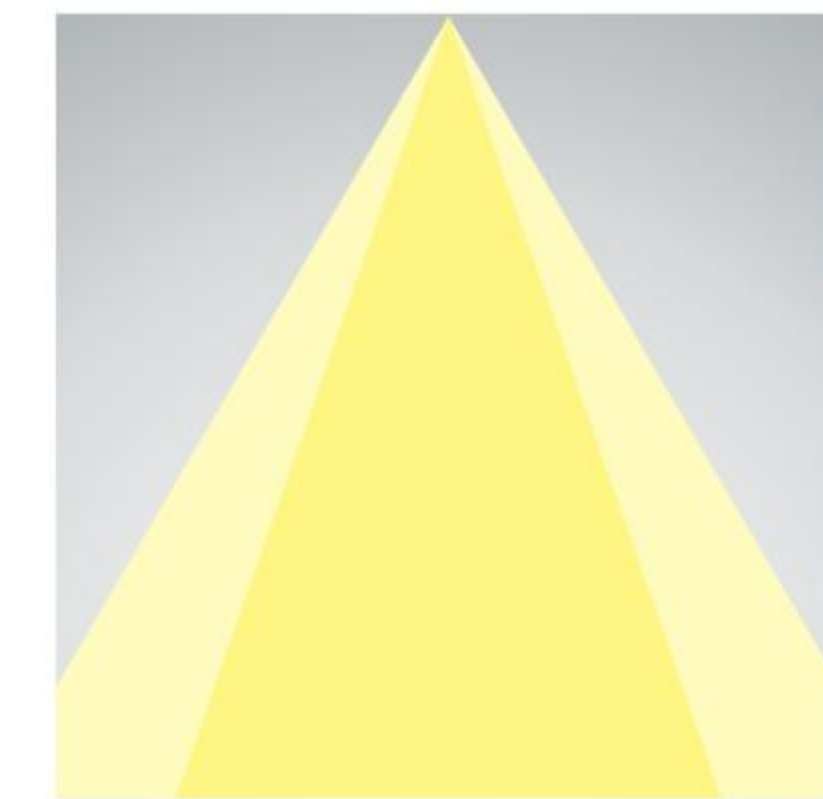
ANGLE 36°



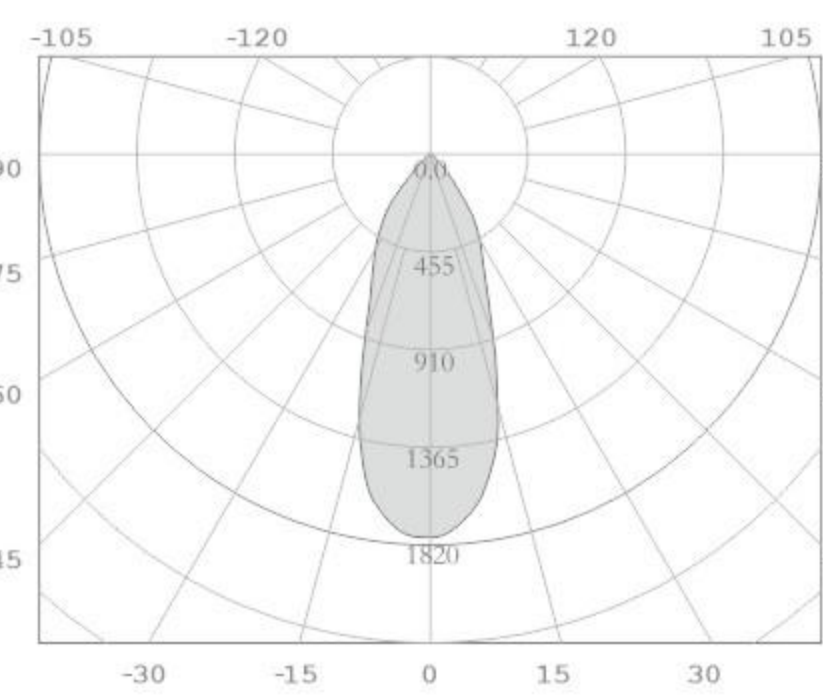
ANGLE 36°



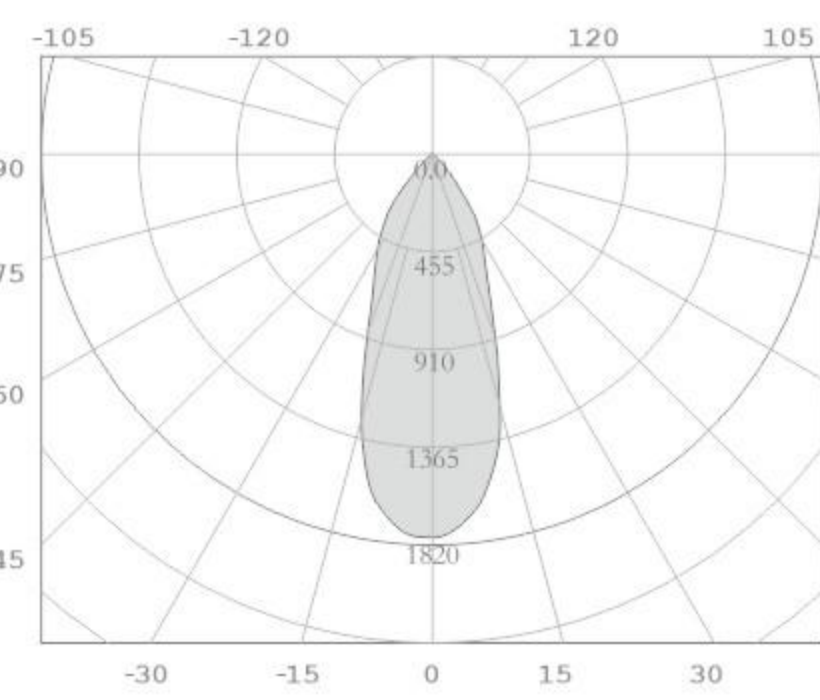
ANGLE 36°



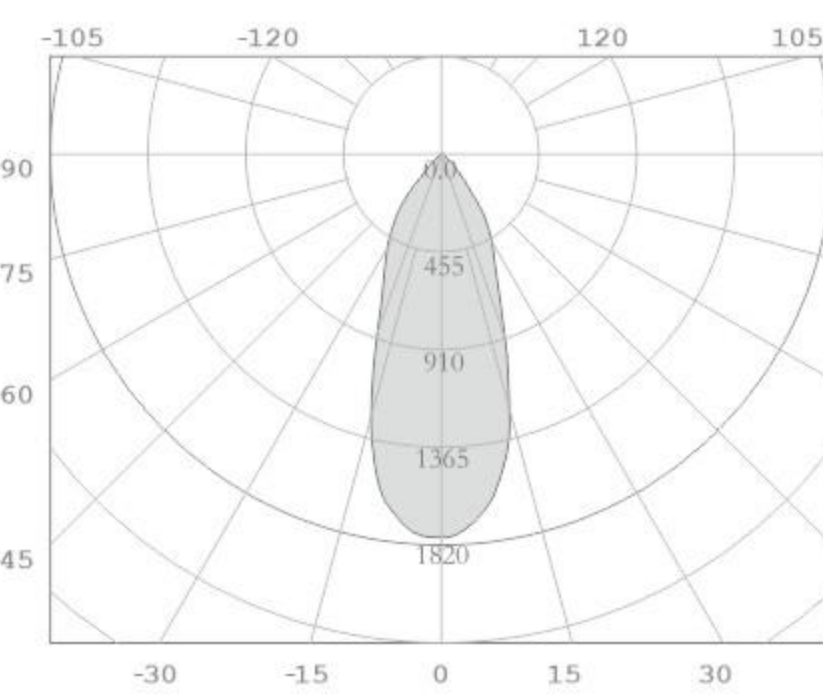
16.17W 36° 3000K



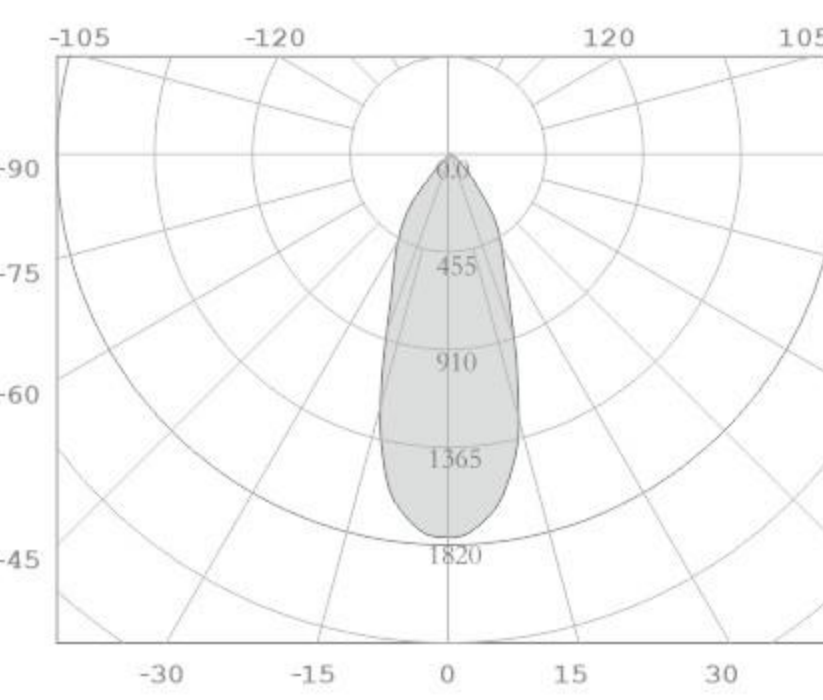
16.17W 36° 3000K



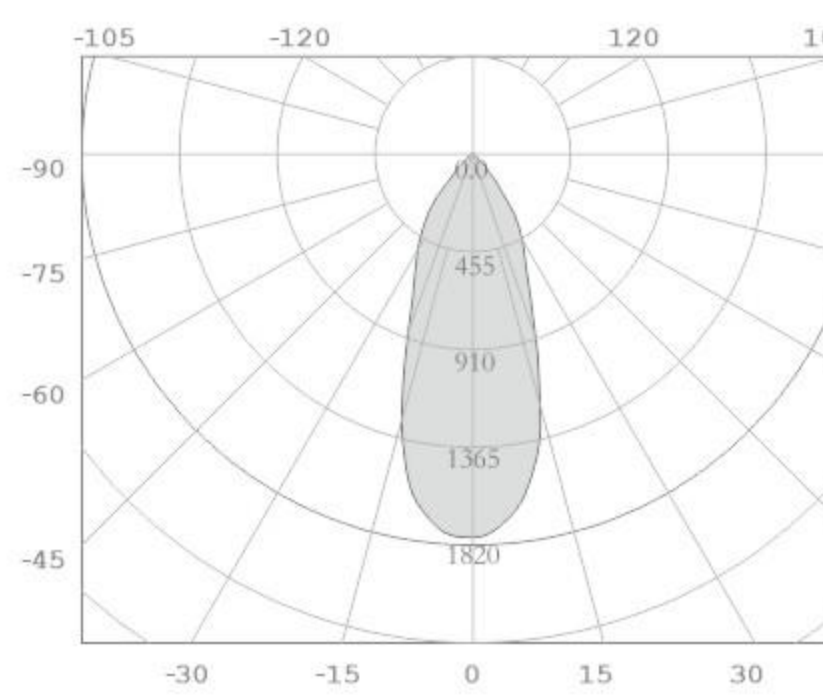
16.17W 36° 3000K



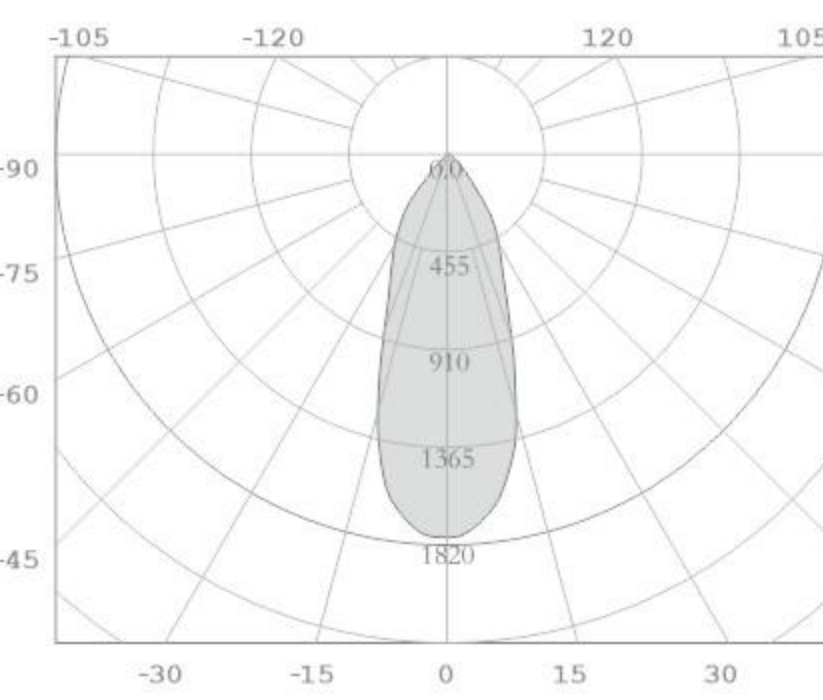
16.17W 36° 3000K



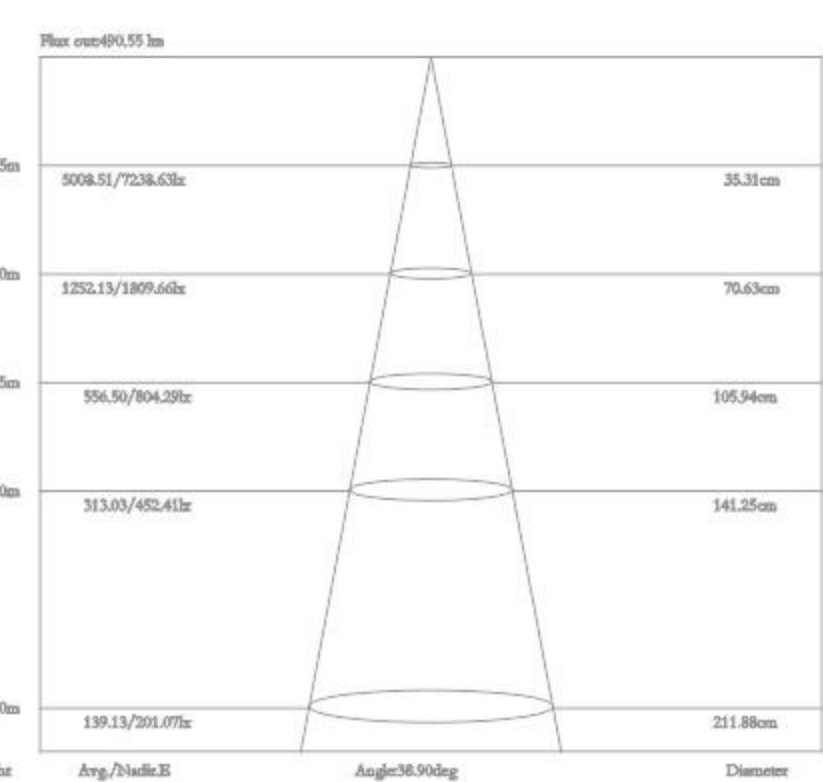
16.17W 36° 3000K



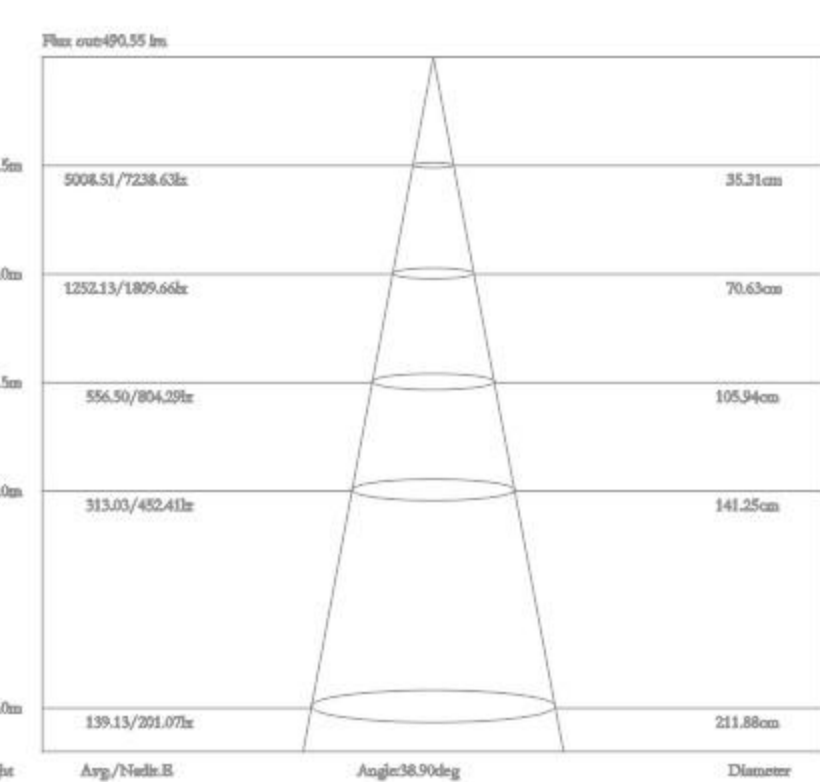
16.17W 36° 3000K



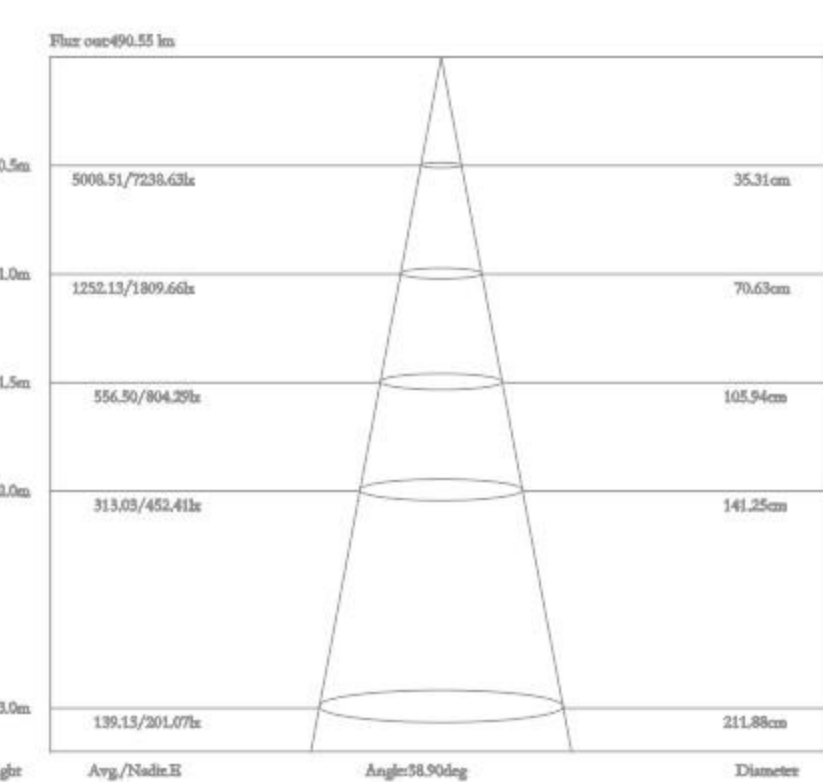
16.17W 36° 3000K



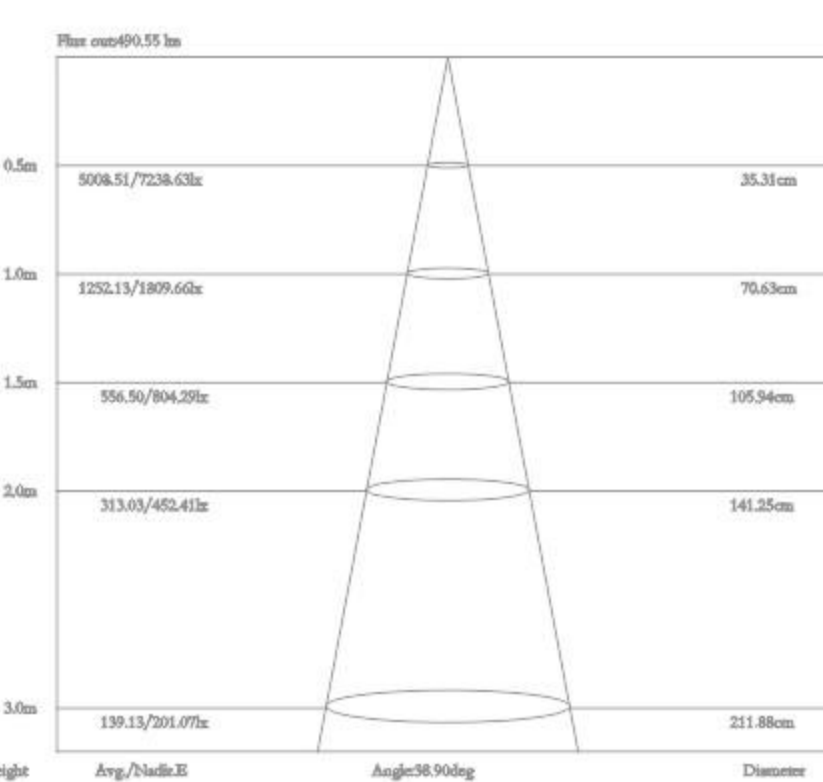
16.17W 36° 3000K



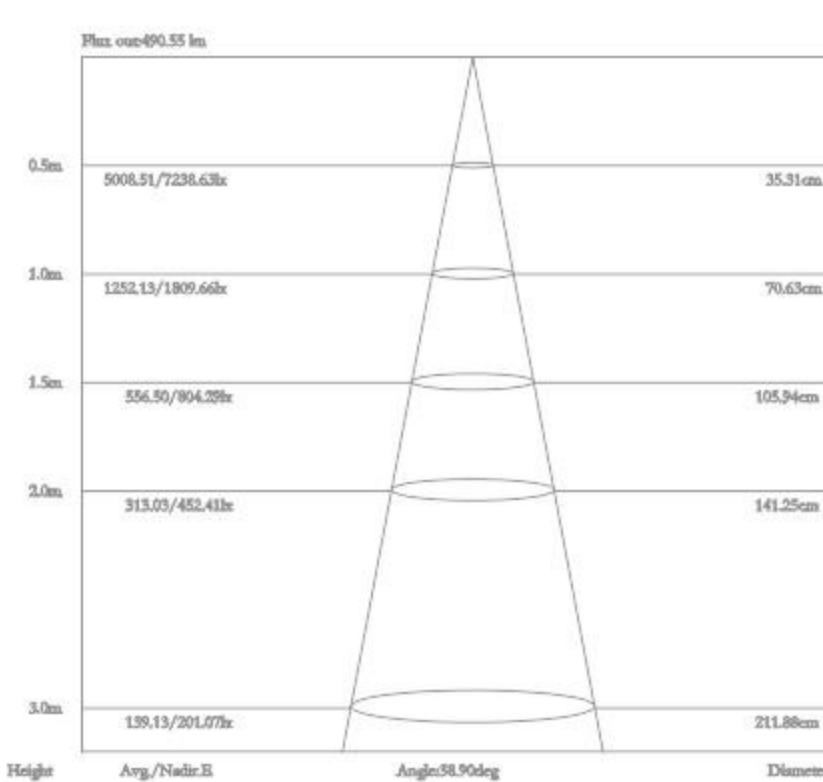
16.17W 36° 3000K



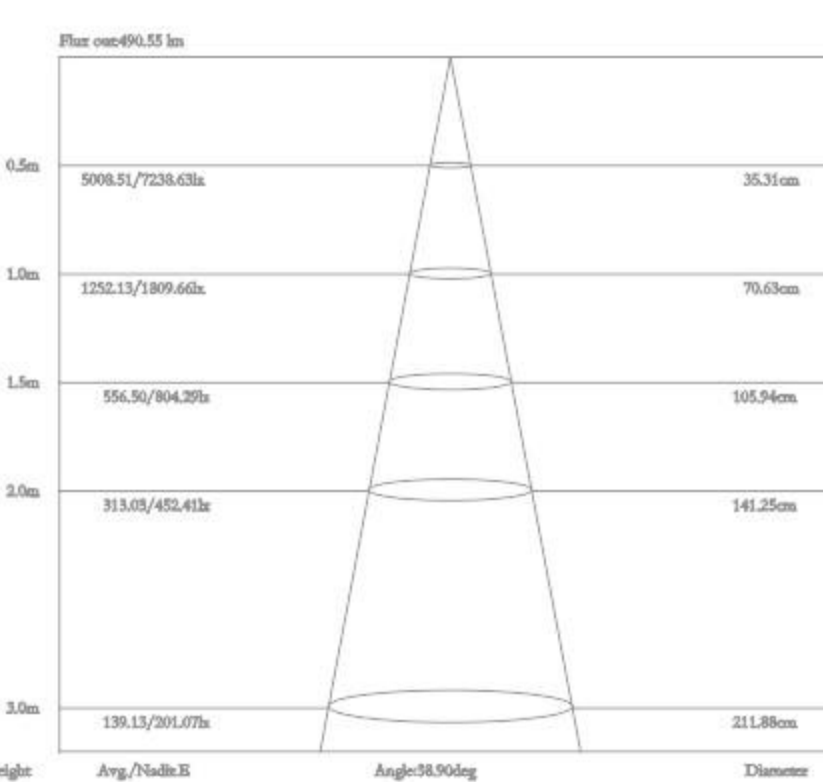
16.17W 36° 3000K



16.17W 36° 3000K



16.17W 36° 3000K



OPTION:

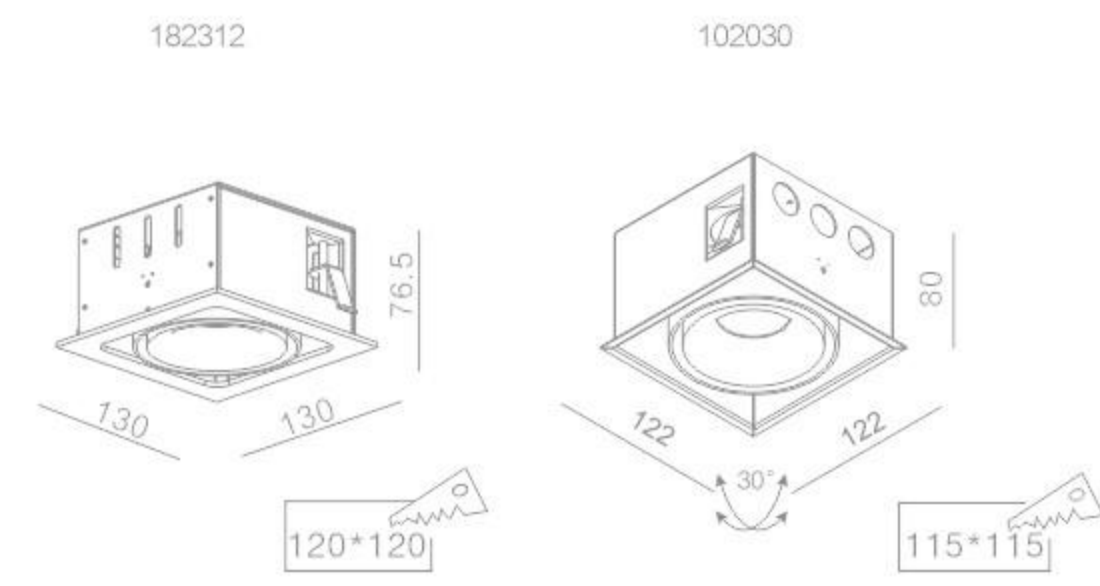
CODE	POWER	COLOR TEMP	BEAN ANGLE	CCT	DRIVER TYPE
117012	19.1W	Sandy Black/Sandy White	36°/28°/48°	2700K/3000K/3500K/4000K/5000K	DT/DX/ON/OFF
117122	38.2W	Sandy Black/Sandy White	36°/28°/48°	2700K/3000K/3500K/4000K/5000K	DT/DX/ON/OFF
117232	57.3W	Sandy Black/Sandy White	36°/28°/48°	2700K/3000K/3500K/4000K/5000K	DT/ON/OFF

OPTION:

CODE	POWER	COLOR TEMP	BEAN ANGLE	CCT	DRIVER TYPE
150712	19.1W	Sandy Black/Sandy White	36°/28°/48°	2700K/3000K/3500K/4000K/5000K	DT/DX/ON-OFF
150822	38.2W	Sandy Black/Sandy White	36°/28°/48°	2700K/3000K/3500K/4000K/5000K	DT/DX/ON-OFF
150932	57.3W	Sandy Black/Sandy White	36°/28°/48°	2700K/3000K/3500K/4000K/5000K	DT/ON-OFF

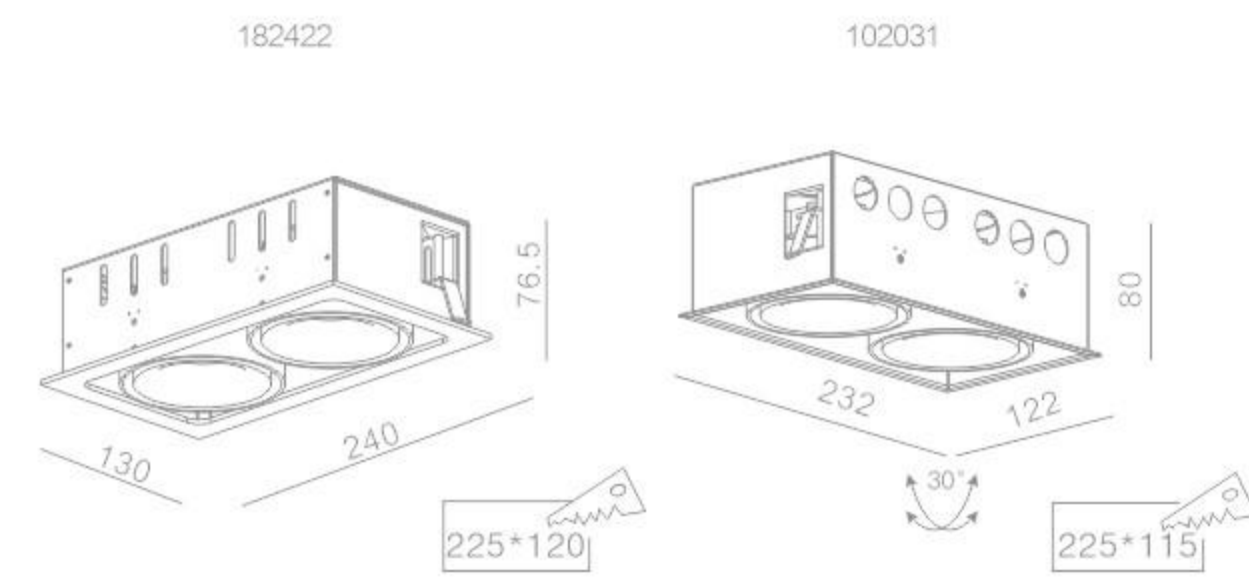
IDUN M+ BOX / M+ BOX □

LED POWER: 16.17W  
 LED LUMEN: 1758LM/3000K  
 LUMINAIRE LUMEN: 1160LM/3000K  
 INPUT: 220-240VAC,50/60HZ  
 CRI: 90  
 HOLE SIZE:Φ120\*120mm/Φ115\*115mm



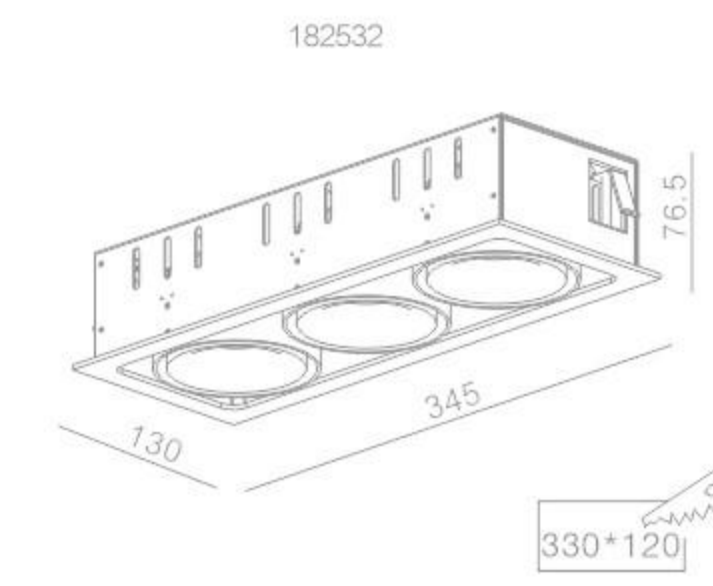
IDUN M+ BOX DOUBLE / M+ BOX DOUBLE AD 2.0 □

LED POWER: 2\*16.17W  
 LED LUMEN: 1758LM/3000K  
 LUMINAIRE LUMEN: 2320LM/3000K  
 INPUT: 220-240VAC,50/60HZ  
 CRI: 90  
 HOLE SIZE:Φ225\*120mm



IDUN M+ BOX TRIPLE 2.0 □

LED POWER: 3\*16.17W  
 LED LUMEN: 1758LM/3000K  
 LUMINAIRE LUMEN: 3480LM/3000K  
 INPUT: 220-240VAC,50/60HZ  
 CRI: 90  
 HOLE SIZE:Φ330\*120mm

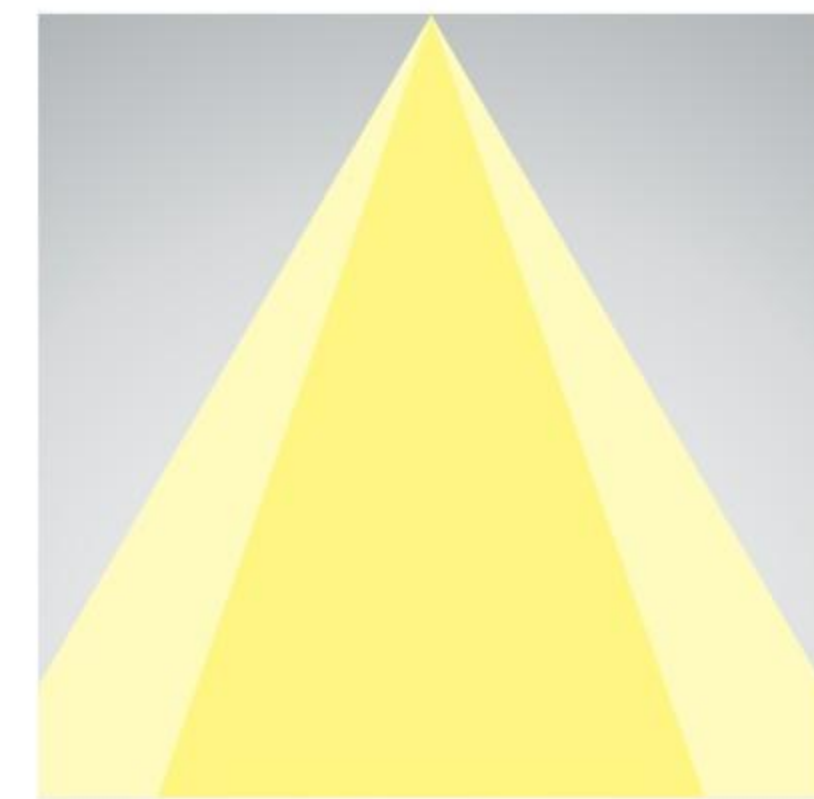


IDUN ON S 2.0 ⊕

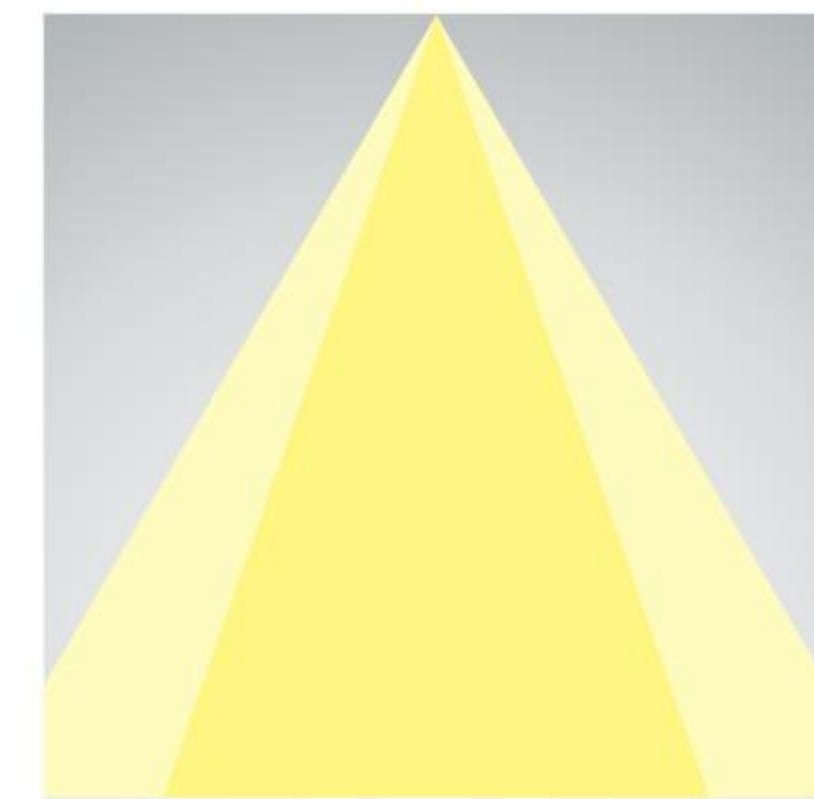
LED POWER: 10.8W  
 LED LUMEN: 1308LM/3000K  
 LUMINAIRE LUMEN: 897LM/3000K  
 INPUT: 220-240VAC,50/60HZ  
 CRI: 90  
 HOLE SIZE:∅



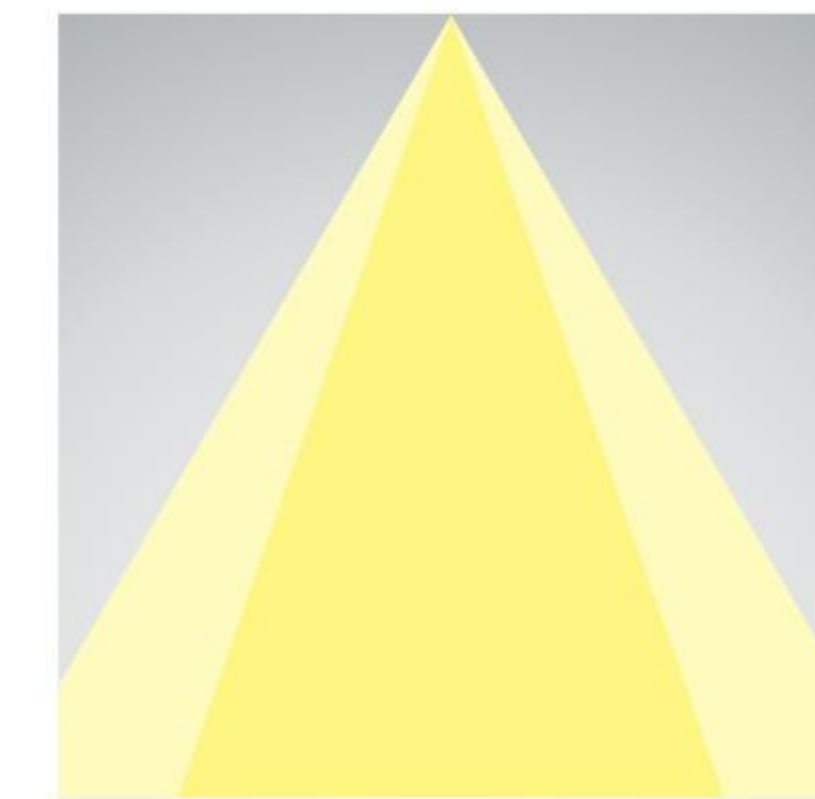
ANGLE 36°



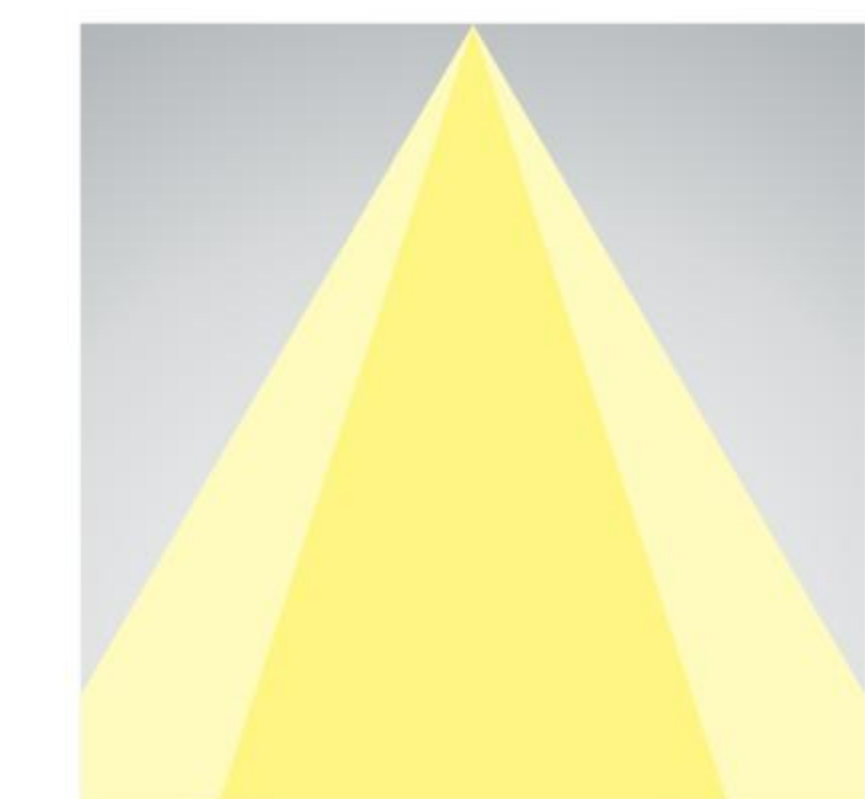
ANGLE 36°



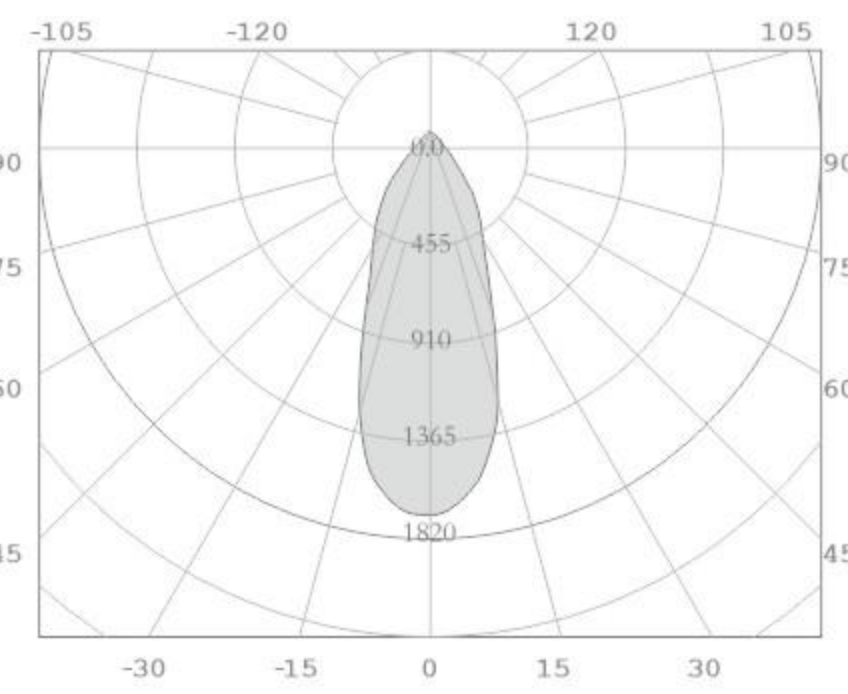
ANGLE 36°



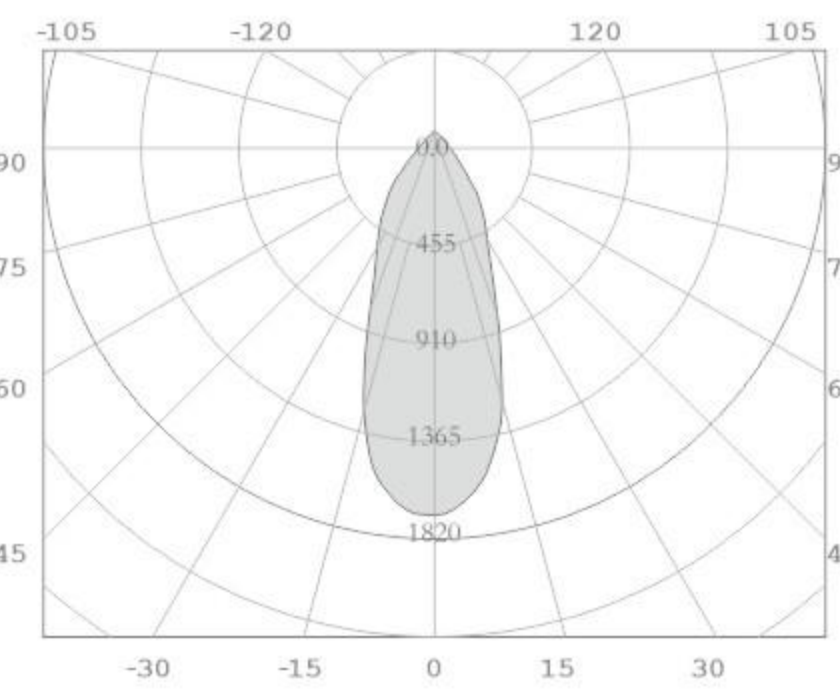
ANGLE 38°



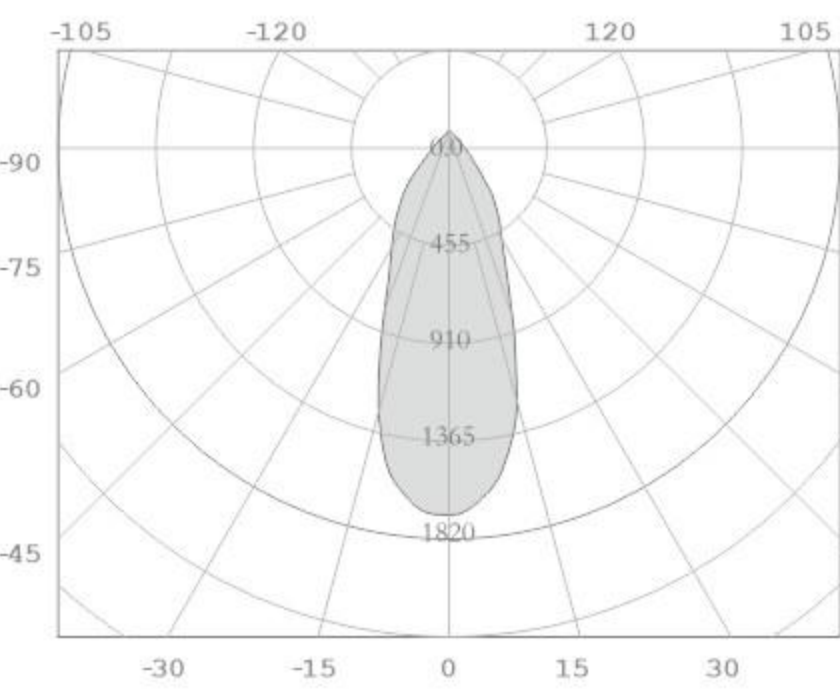
16.17W 36° 3000K



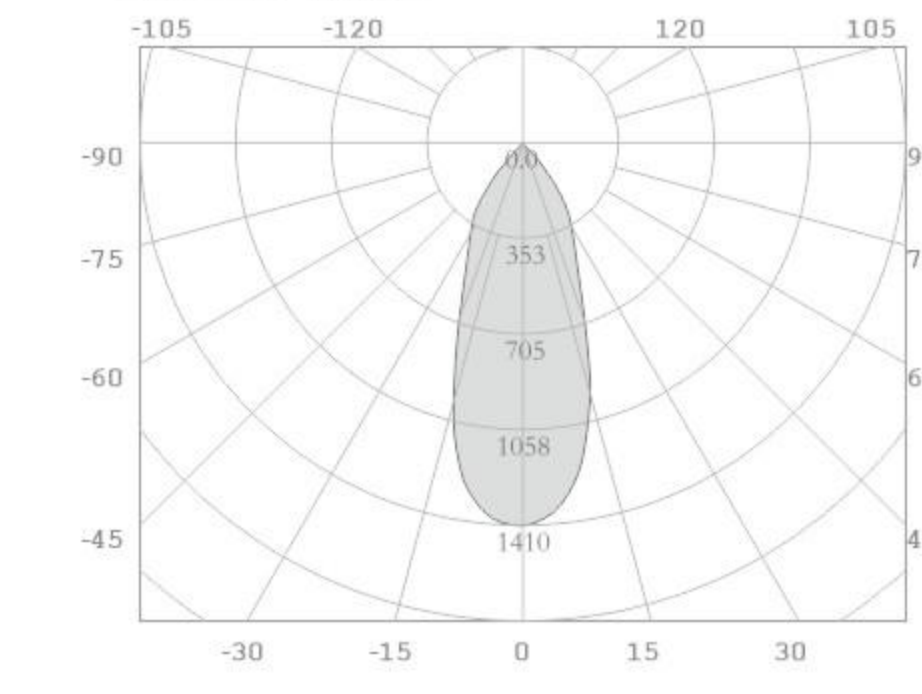
16.17W 36° 3000K



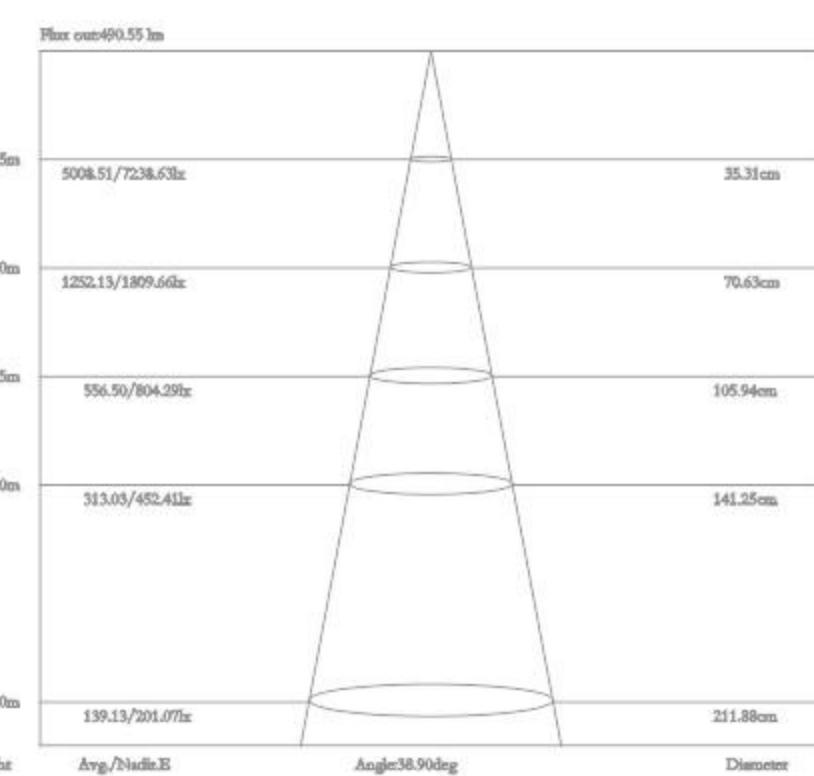
16.17W 36° 3000K



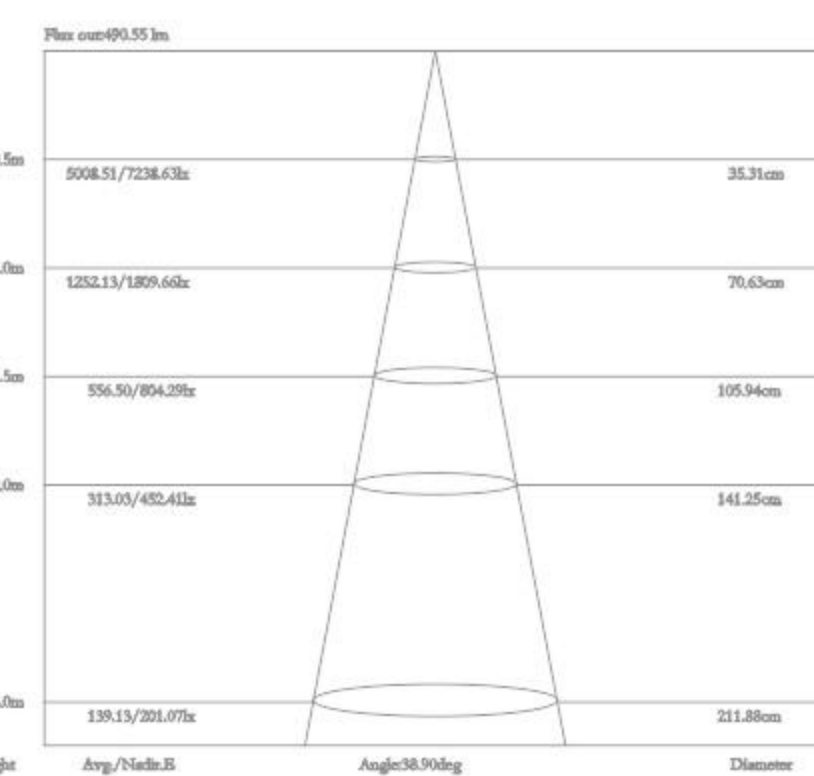
10.8W 38° 3000K



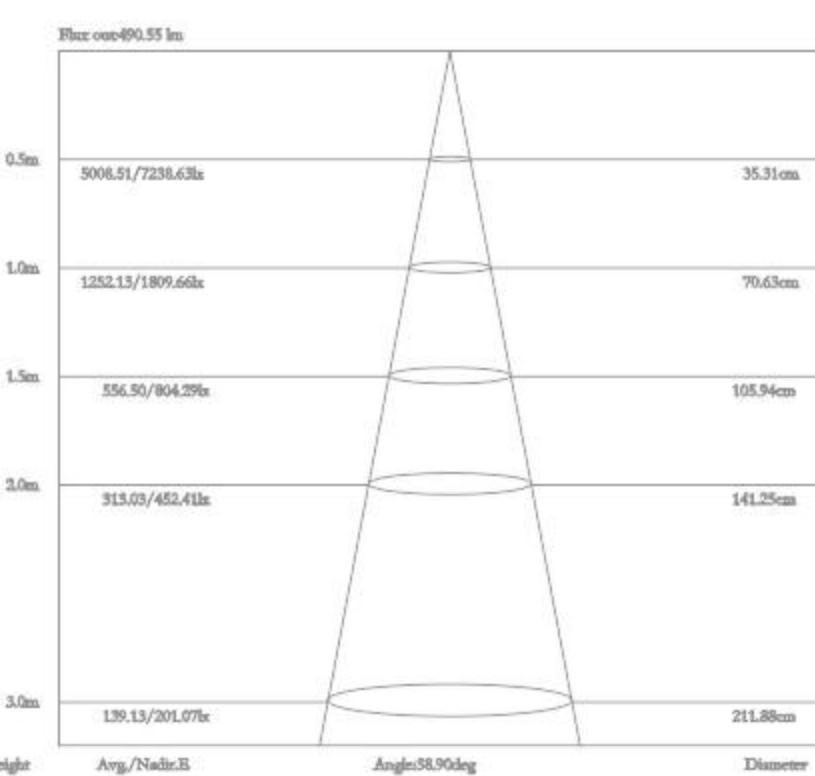
16.17W 36° 3000K



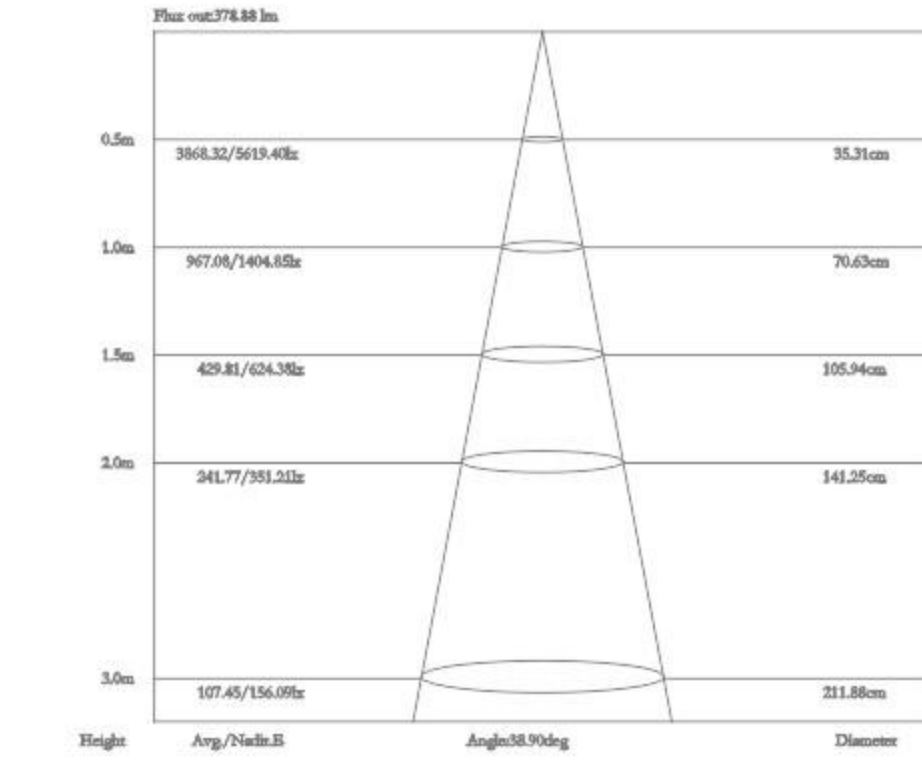
16.17W 36° 3000K



16.17W 36° 3000K



10.8W 38° 3000K



OPTION:

CODE	POWER	COLOR TEMP	BEAN ANGLE	CCT	DRIVER TYPE
182312	19.1W	Sandy Black/Sandy White	36°/28°/48°	2700K/3000K/3500K/4000K/5000K	DT/DX/ON-OFF
102030	19.1W	Sandy Black/Sandy White	36°/28°/48°	2700K/3000K/3500K/4000K/5000K	DT/DX/ON-OFF
182422	38.2W	Sandy Black/Sandy White	36°/28°/48°	2700K/3000K/3500K/4000K/5000K	DT/DX
102031	38.2W	Sandy Black/Sandy White	36°/28°/48°	2700K/3000K/3500K/4000K/5000K	DT/DX/ON-OFF

OPTION:

CODE	POWER	COLOR TEMP	BEAN ANGLE	CCT	DRIVER TYPE
182532	57.3W	Sandy Black/Sandy White	36°/28°/48°	2700/3000/3500/4000/5000K	DT/ON-OFF
204512	13W	Sandy Black/Sandy White	38°/28°/48°	2700/3000/3500/4000/5000K	DT/ON-OFF

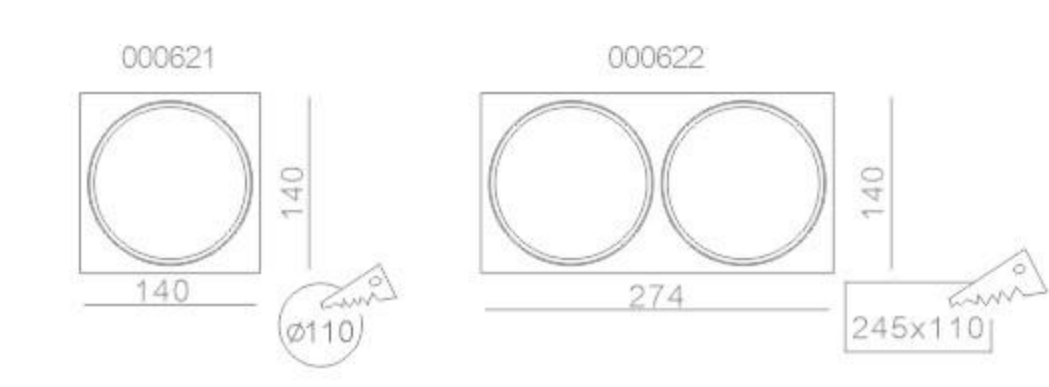
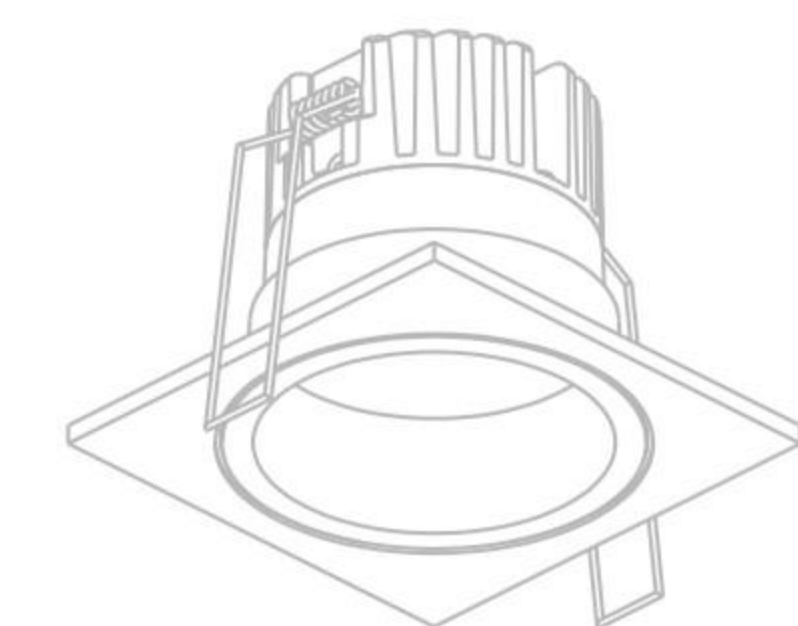




# NIC

NIC series high-power version with 30W and 42W for options, direct light emission and high luminous efficiency. It's applied to large-scale villas and other high-ceiling spaces or some lighting application scenarios that require high-power lighting products. The product has a fixed version, a adjustable version and adeep anti-glare version to choose from.

- CCC
- CE
- IP20
- 220-240VAC
- DIM TRIAC
- DIM 1-10V
- DIM TO WARM
- DALI



COLOR FINISHINGS:

- PAB
- PAW





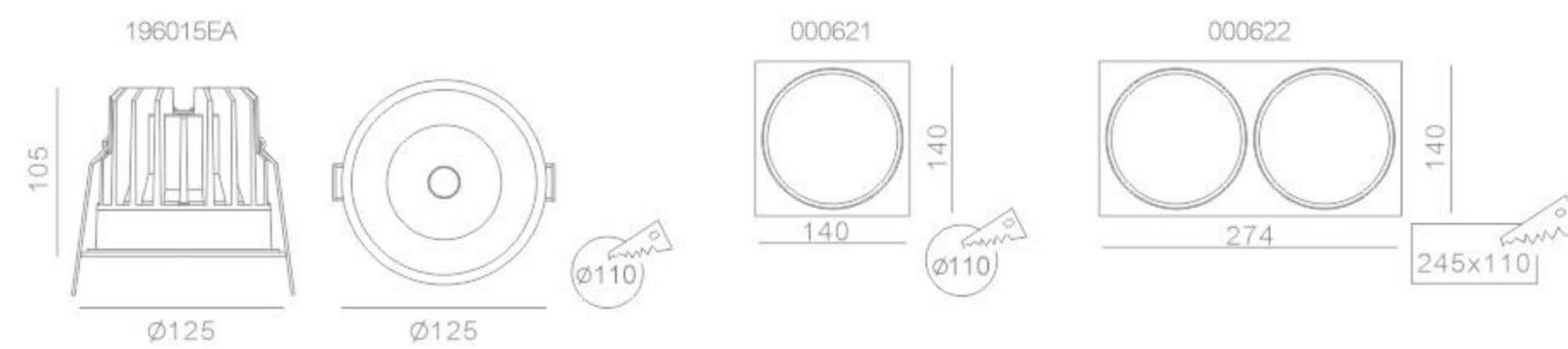
NIC L / L-



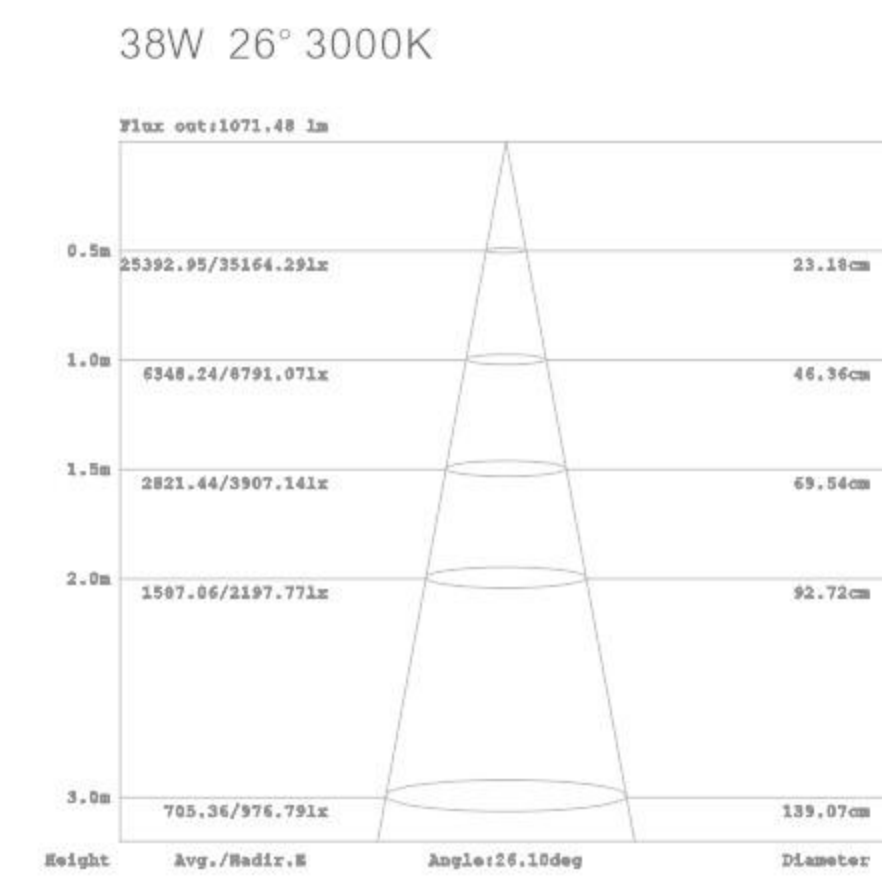
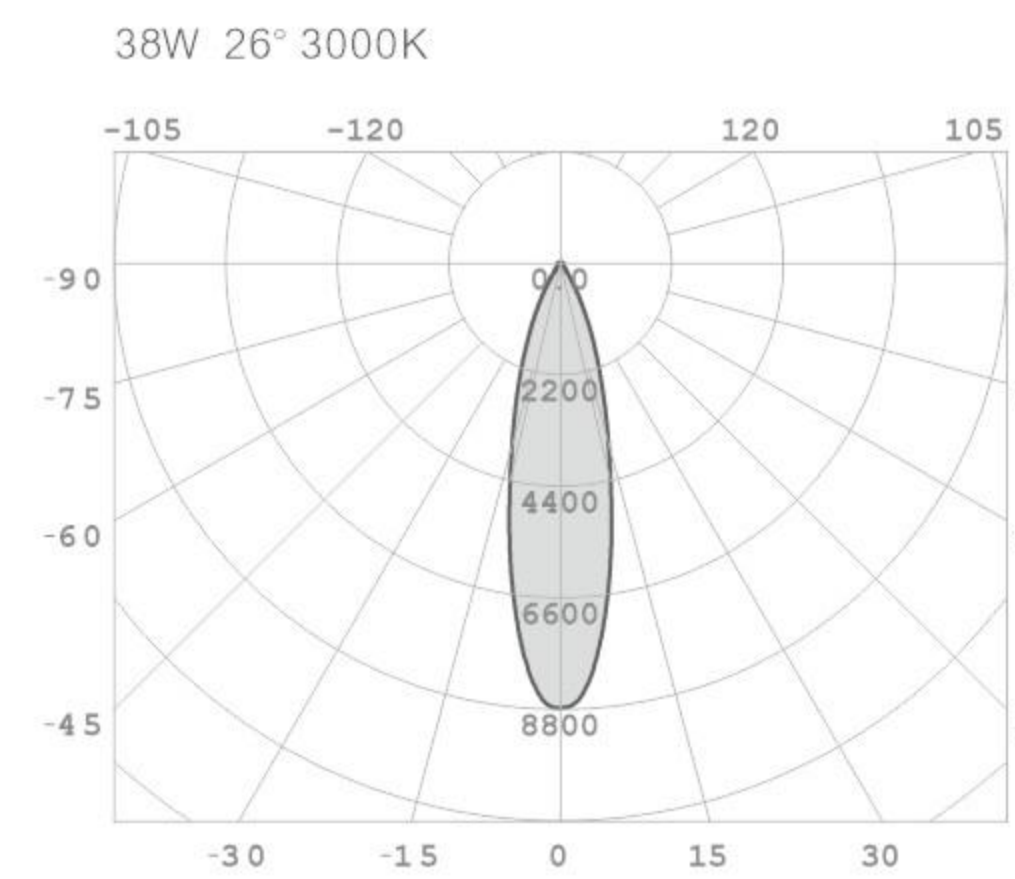
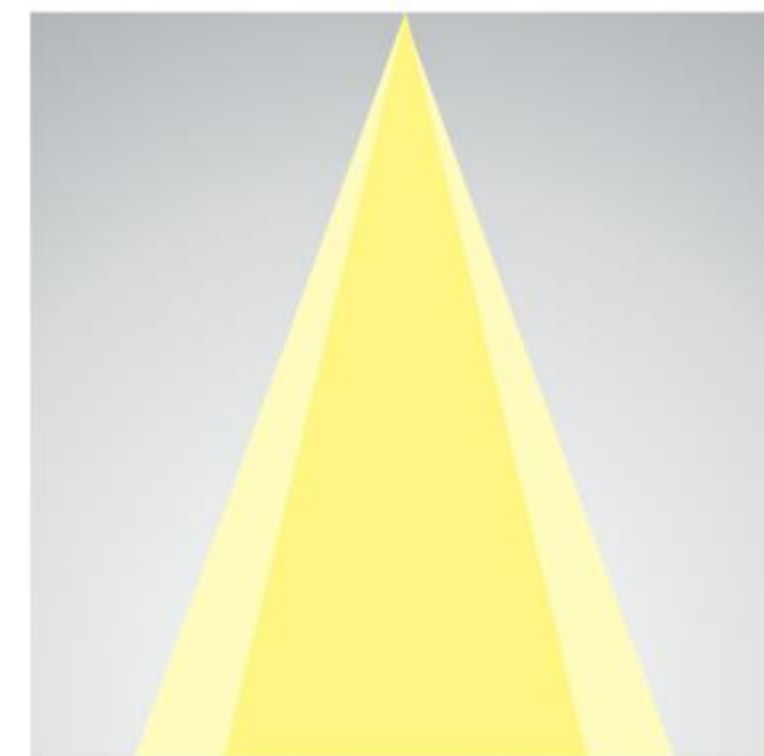
NIC L DEEP / L DEEP-

NIC L / L-

LED POWER: 38W/24.2W  
 LED OUTPUT: 3819Lm  
 SYSTEM POWER: 42W/30W  
 SYSTEM OUTPUT: 2973Lm/3000K  
 INPUT: 220-240VAC,50/60Hz  
 CRI: 90  
 DIMENSION:  $\varnothing 125 \times 105$ mm  
 HOLE SIZE:  $\varnothing 110$ mm



ANGLE 26°

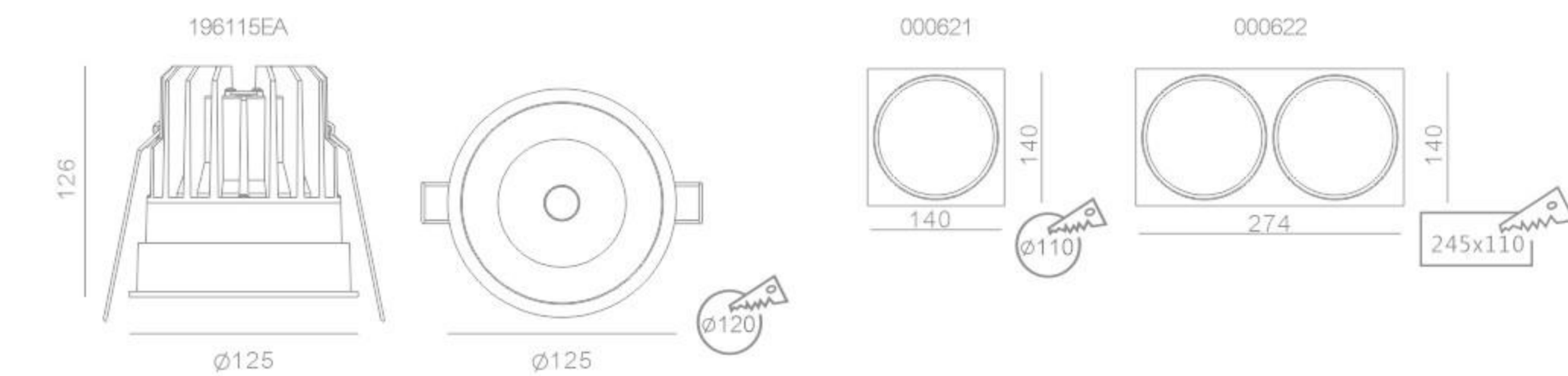


OPTION:

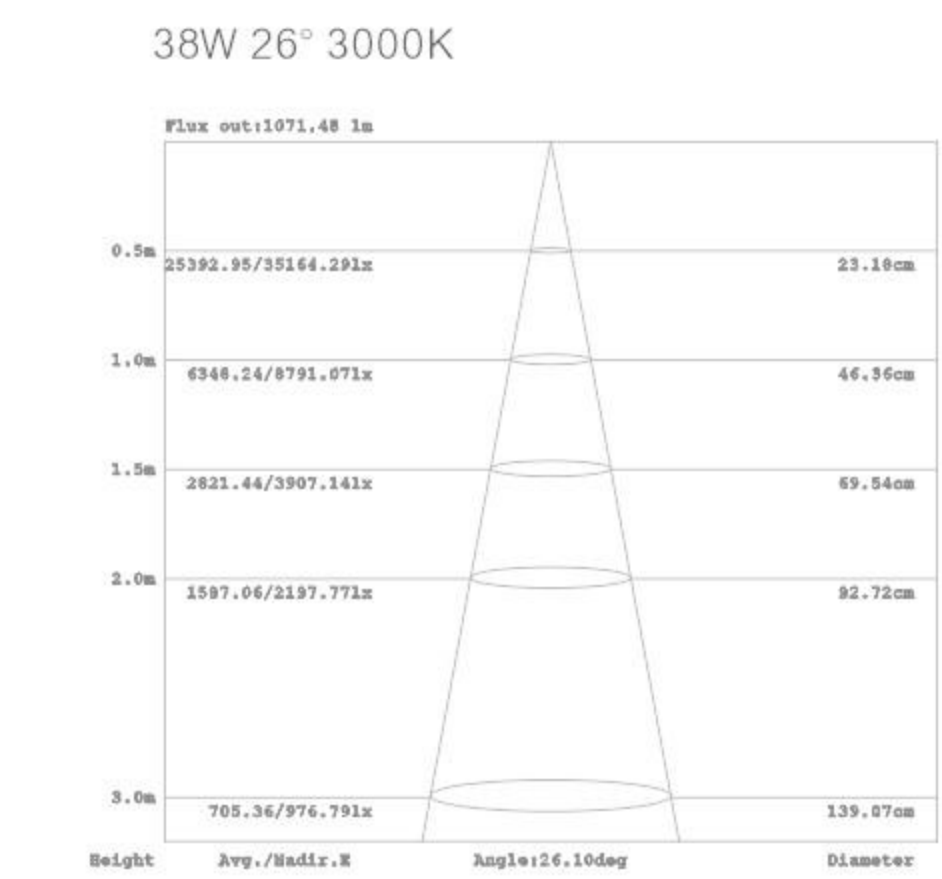
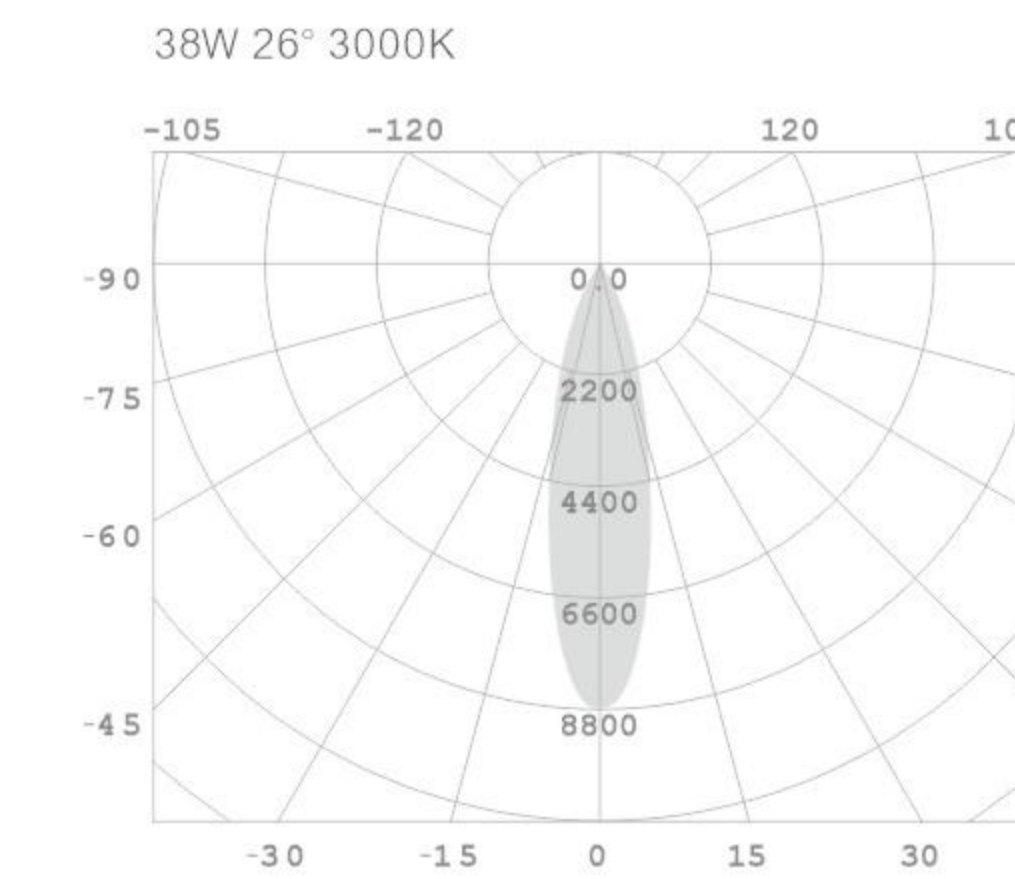
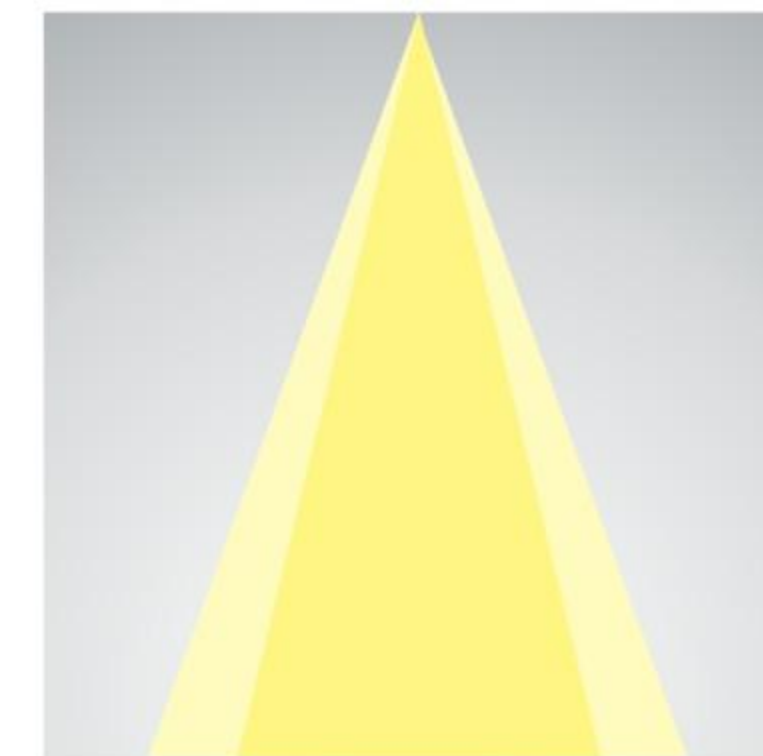
CODE	POWER	COLOR TEMP	BEAN ANGLE	CCT	DRIVER TYPE
196015	42W	Sandy Black/Sandy White	18°/26°/38°	2700K/3000k/3500k/4000K	DX/DT/DA/ON-OFF
106519	30W	Sandy Black/Sandy White	18°/26°/38°	2700K/3000k/3500k/4000K	DX/DT/DA/ON-OFF

NIC L DEEP / L DEEP-

LED POWER: 38W/24.2W  
 LED OUTPUT: 3819Lm  
 SYSTEM POWER: 42W/30W  
 SYSTEM OUTPUT: 2764Lm/3000K  
 INPUT: 220-240VAC,50/60Hz  
 CRI: 90  
 DIMENSION:  $\varnothing 125 \times 126$ mm  
 HOLE SIZE:  $\varnothing 120$ mm



ANGLE 26°



OPTION:

CODE	POWER	COLOR TEMP	BEAN ANGLE	CCT	DRIVER TYPE
196015	42W	Sandy Black/Sandy White	18°/26°/38°	2700K/3000k/3500k/4000K	DX/DT/DA/ON-OFF
106519	30W	Sandy Black/Sandy White	18°/26°/38°	2700K/3000k/3500k/4000K	DX/DT/DA/ON-OFF

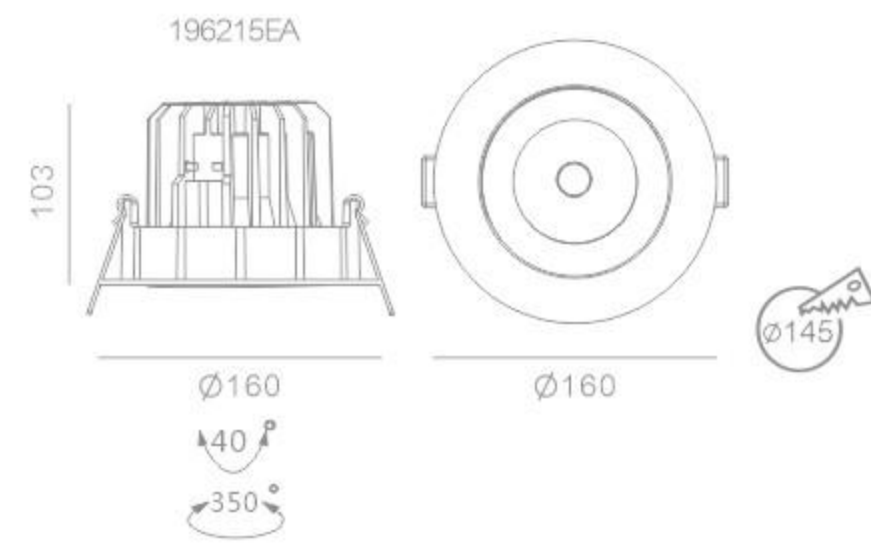


NIC L AD / L AD-

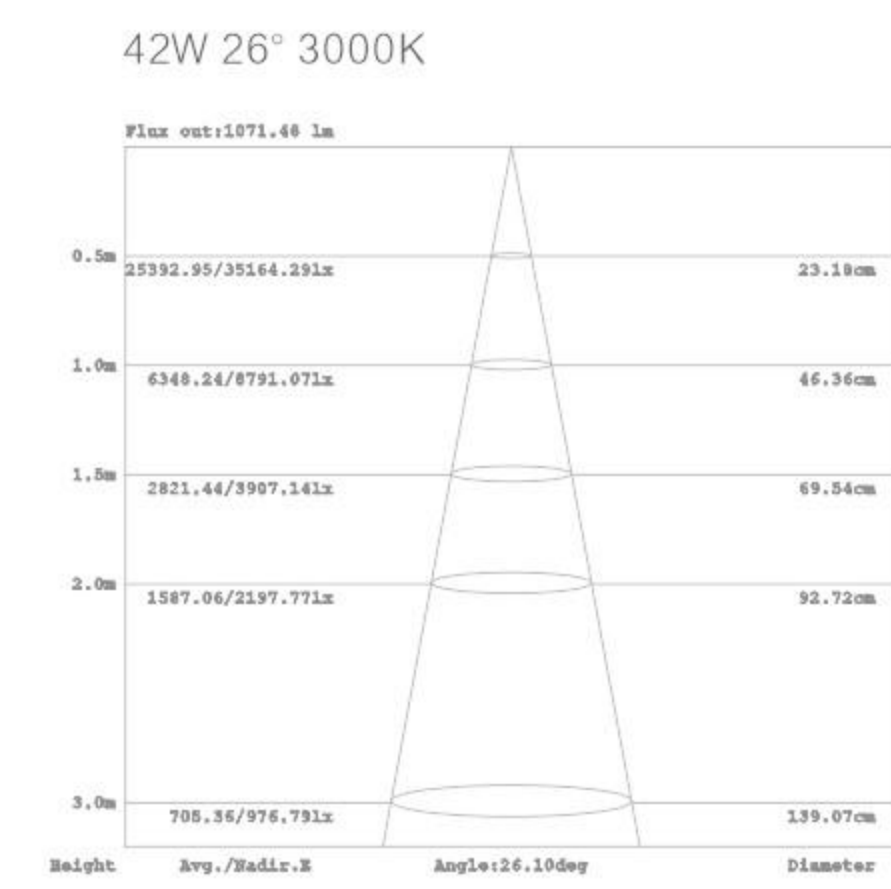
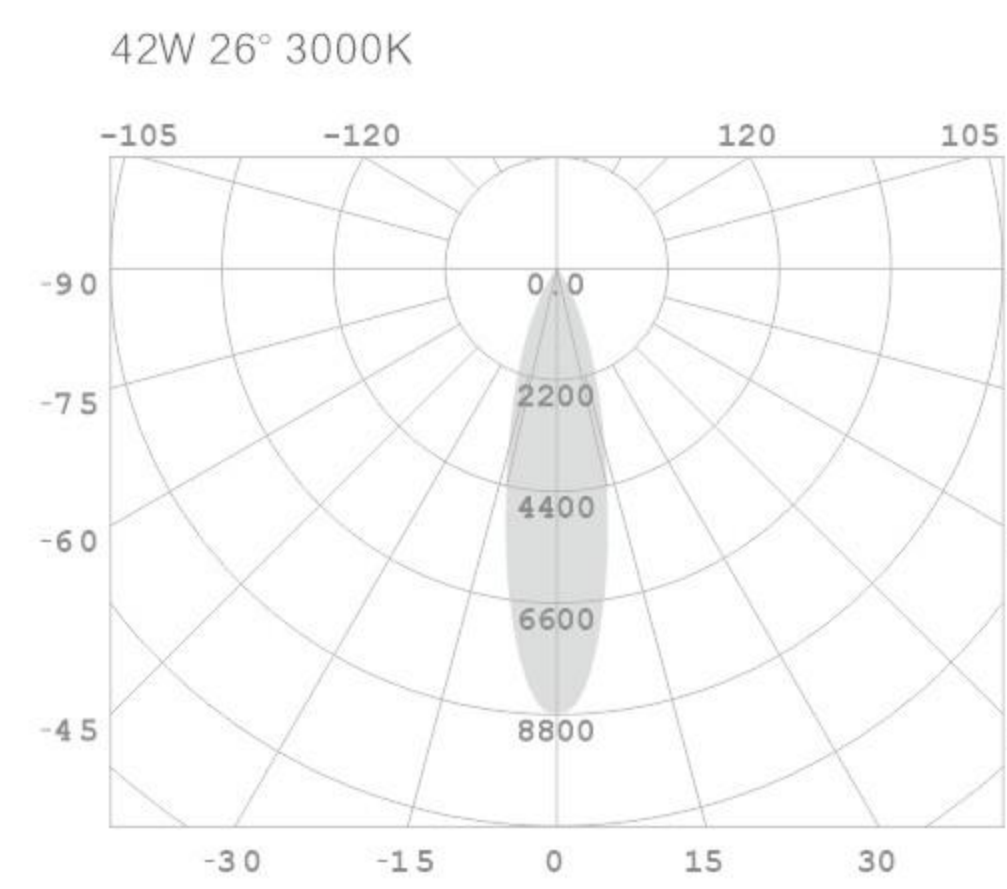
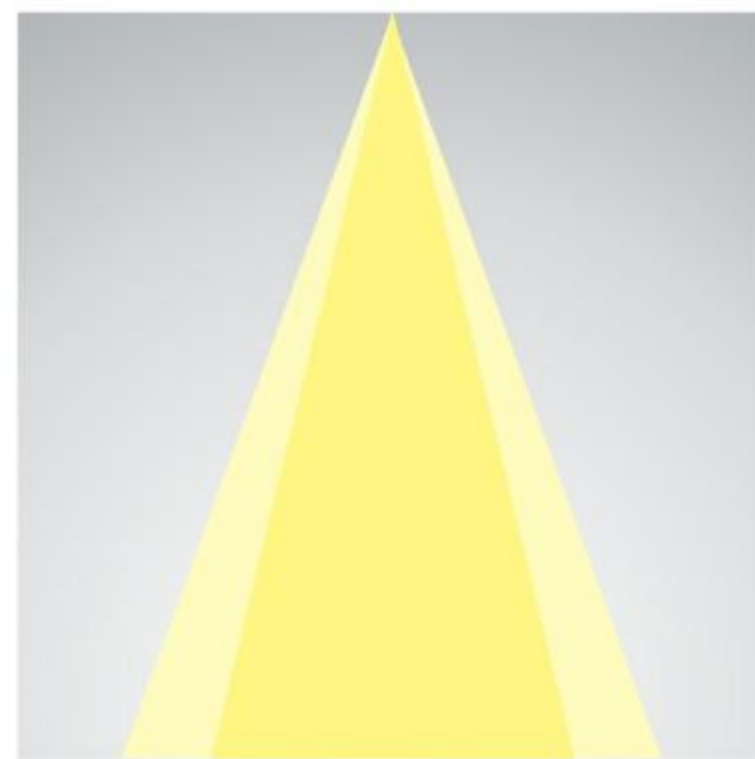
57

NIC L AD / L AD-

LED POWER: 38W/24.2W  
 LED OUTPUT: 3819Lm  
 SYSTEM OUTPUT: 2973Lm/2100LM/3000K  
 INPUT: 220-240VAC,50/60Hz  
 CRI: 90  
 DIMENSION: Ø160\*103mm  
 HOLE SIZE: Ø145mm

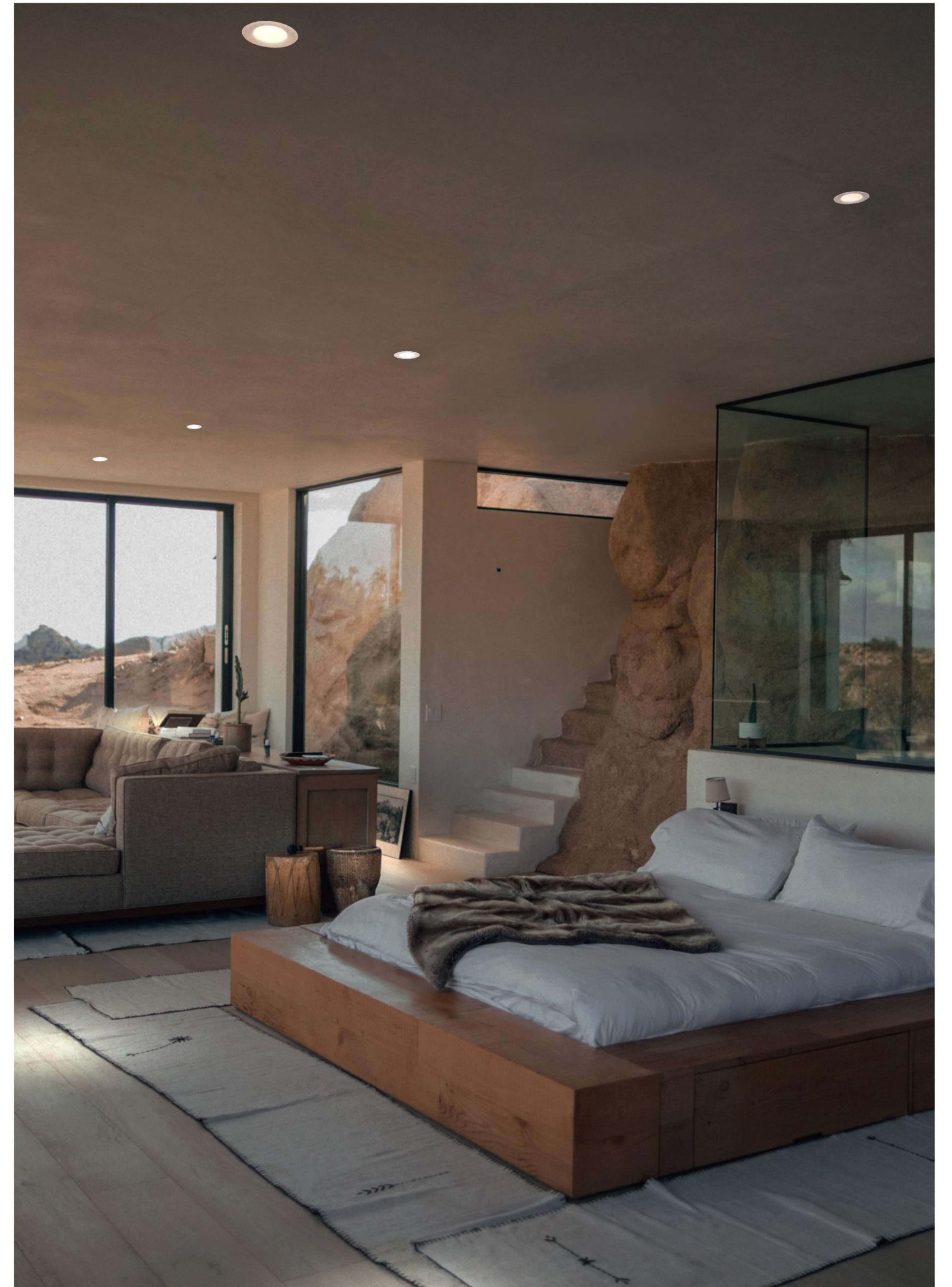


ANGLE 26°



OPTION:

CODE	POWER	COLOR TEMP	BEAN ANGLE	CCT	DRIVER TYPE
196215	42W	Sandy Black/Sandy White	18°/26°/38°	2700K/3000k/3500k/4000K	DX/DT/DA/ON-OFF
106719	30W	Sandy Black/Sandy White	18°/26°/38°	2700K/3000k/3500k/4000K	DX/DT/DA/ON-OFF



58

# NISA

NISA series have S and M version from 7W to 14W. Adjustable and non-adjustable versions are designed to accomplish your lighting missions.

CCC CE IP20 220-240VAC DIM TRIAC DIM 1-10V DALI



M/M+



M AD/M+ AD



S/S+





**NISA S/S+** 

LED POWER: 5.4W/7.2W  
LUMINAIRE LUMEN: 480LM/643LM/3000K  
INPUT: 100-240VAC,50/60Hz  
CRI: 90  
DIMENSION:  $\varnothing 58 \times 62\text{mm} / \varnothing 58 \times 62\text{mm}$   
HOLE SIZE:  $\varnothing 50\text{mm}$

**NISA S/S+ AD** 

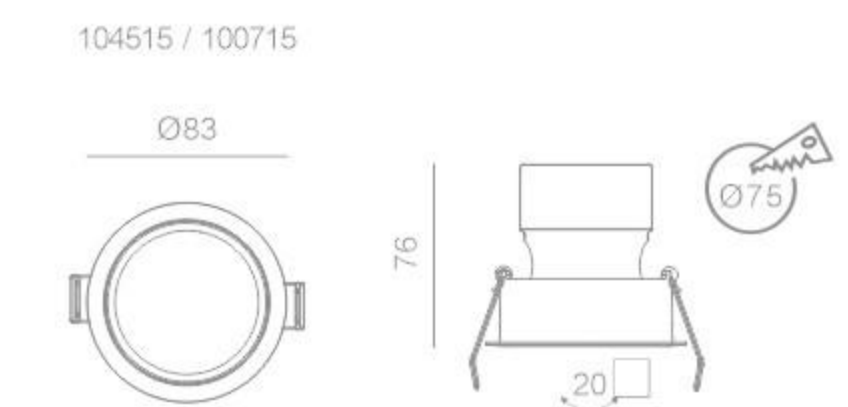
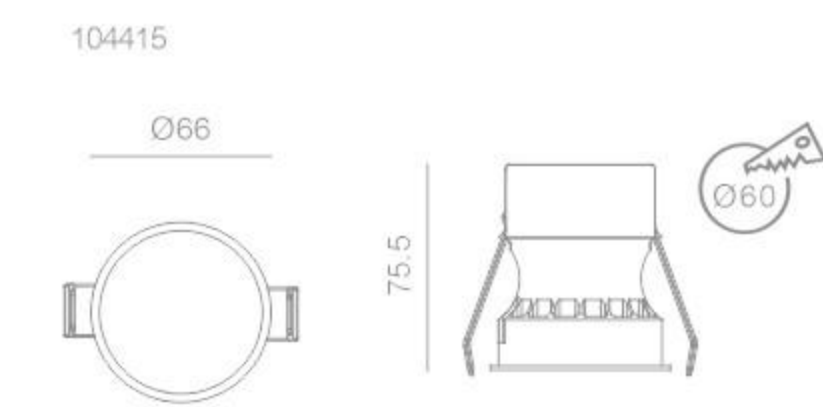
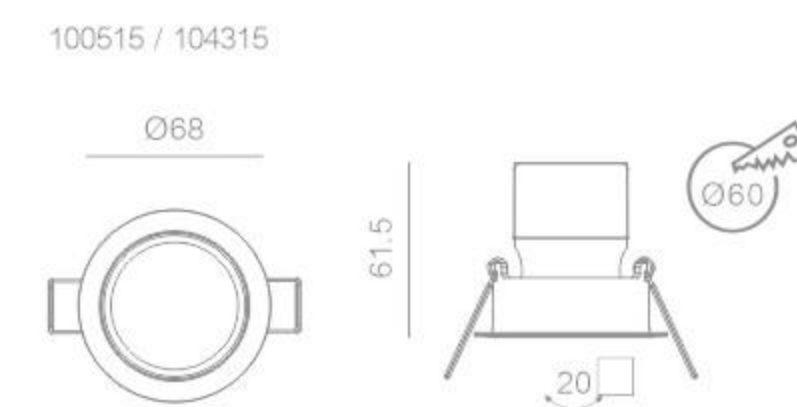
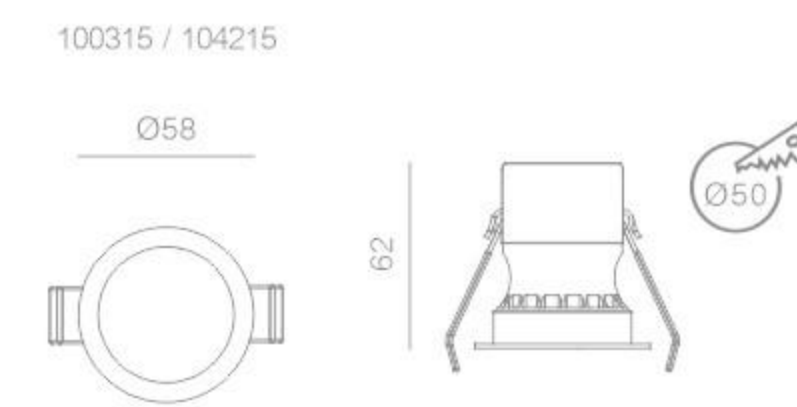
LED POWER: 5.4W/7.2W  
LUMINAIRE LUMEN: 480LM/643LM/3000K  
INPUT: 100-240VAC,50/60Hz  
CRI: 90  
DIMENSION:  $\varnothing 68 \times 61.5\text{mm}$   
HOLE SIZE:  $\varnothing 50\text{mm} / \varnothing 60\text{mm}$

**NISA M/M+** 

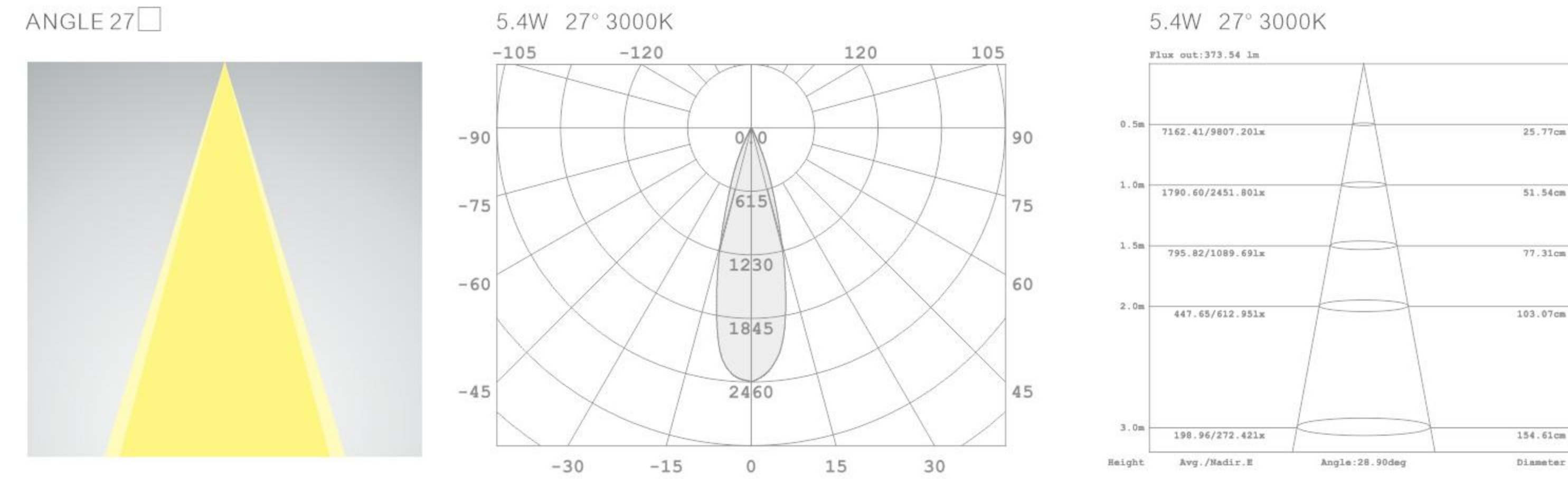
LED POWER: 10.8W/12.6W  
LUMINAIRE LUMEN: 970LM/1112LM/3000K  
INPUT: 100-240VAC,50/60Hz  
CRI: 90  
DIMENSION:  $\varnothing 73 \times 75.5\text{mm}$   
HOLE SIZE:  $\varnothing 65\text{mm}$

**NISA M/M+ AD** 

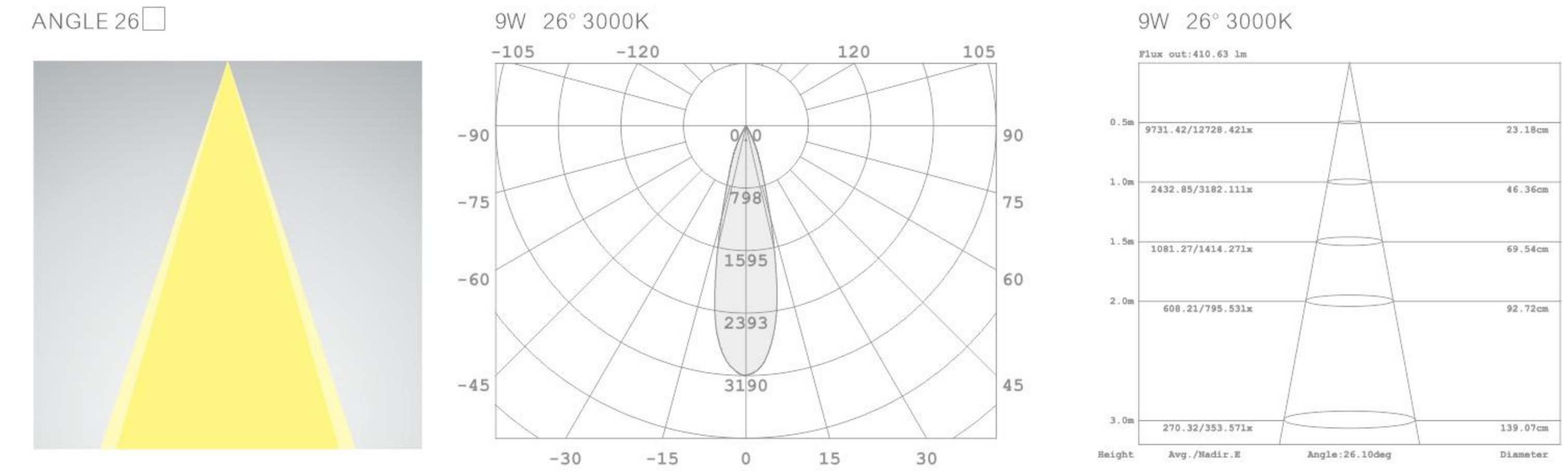
LED POWER: 10.8W/12.6W  
LUMINAIRE LUMEN: 960LM/1112LM/3000K  
INPUT: 100-240VAC,50/60Hz  
CRI: 90  
DIMENSION:  $\varnothing 83 \times 76\text{mm}$   
HOLE SIZE:  $\varnothing 75\text{mm}$



**NISA S/S AD 5.4W**  
ANGLE 27° 



**NISA M/M AD 9W**  
ANGLE 26° 

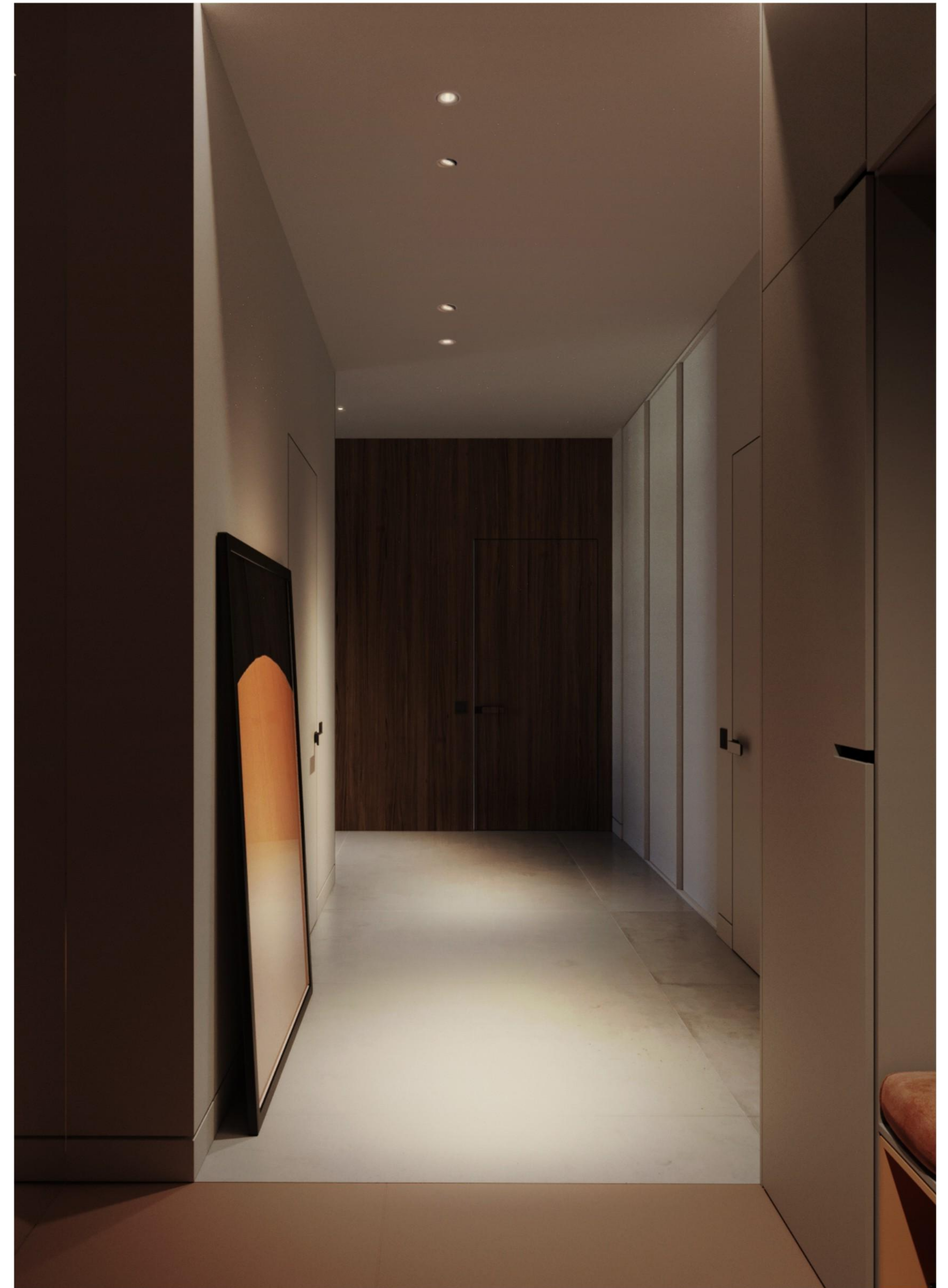
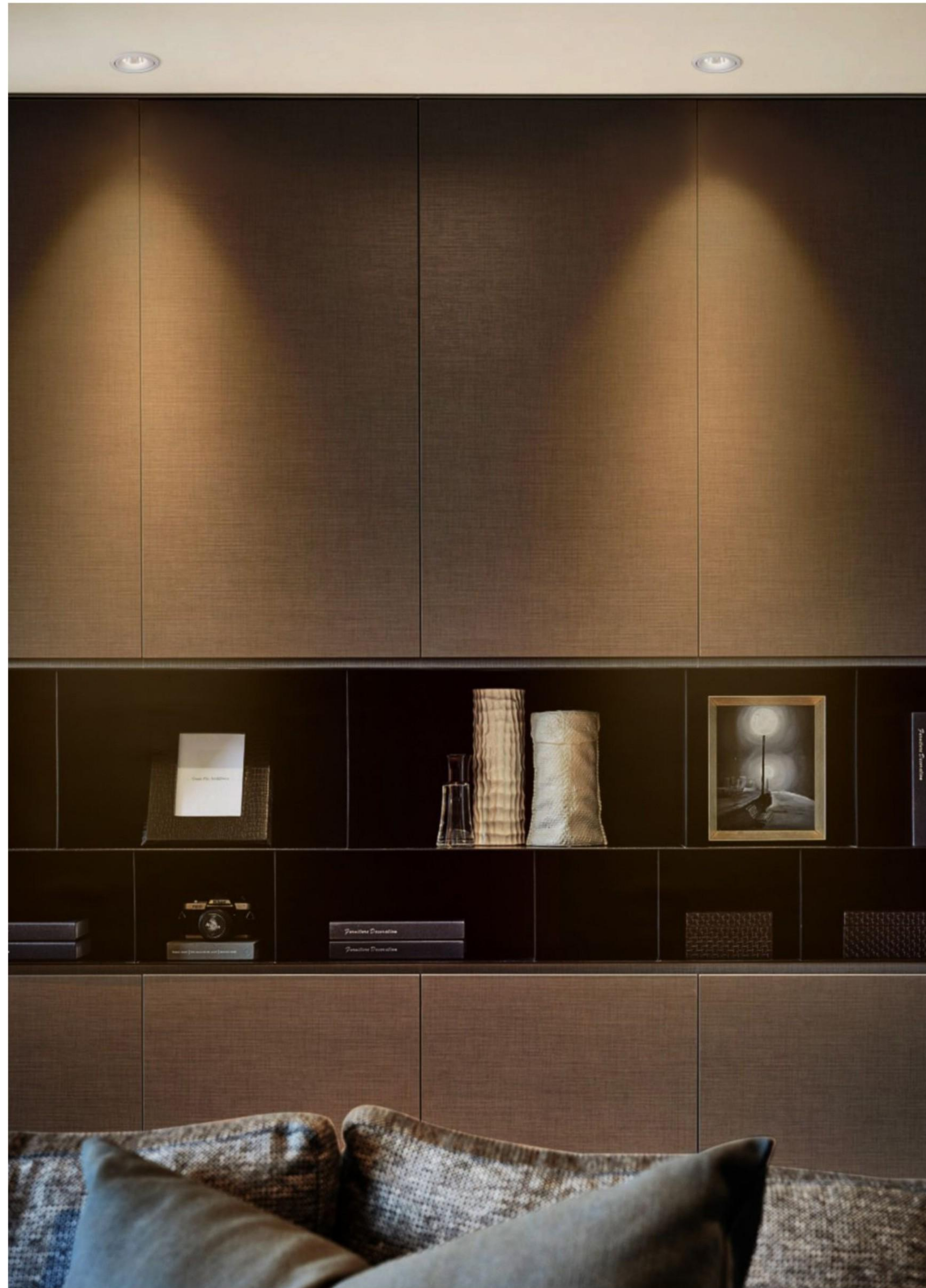


OPTION:

CODE	POWER	COLOR TEMP	BEAN ANGLE	CCT	DRIVER TYPE
100315	6.8W	Sandy Black/Sandy White	27°/20°/36°	2700K/3000k/3500k/4000K	DX/DT/DA/APP/ON-OFF
104215	9.3W	Sandy Black/Sandy White	21°/27°/36°	2700K/3000k/3500k/4000K	DX/DT/DA/APP/ON-OFF
100515	6.8W	Sandy Black/Sandy White	27°/20°/36°	2700K/3000k/3500k/4000K	DX/DT/DA/ON-OFF
104315	9.3W	Sandy Black/Sandy White	21°/27°/36°	2700K/3000k/3500k/4000K	DX/DT/DA/APP/ON-OFF

OPTION:

CODE	POWER	COLOR TEMP	BEAN ANGLE	CCT	DRIVER TYPE
104415	12.6W	Sandy Black/Sandy White	26°/20°/39°	2700K/3000k/3500k/4000K	DX/DT/DA/ON-OFF
100615	14W	Sandy Black/Sandy White	26°/20°/39°	2700K/3000k/3500k/4000K	DX/DT/DA/ON-OFF
104515	12.6W	Sandy Black/Sandy White	26°/20°/39°	2700K/3000k/3500k/4000K	DX/DT/DA/APP/ON-OFF
100715	14W	Sandy Black/Sandy White	26°/20°/39°	2700K/3000k/3500k/4000K	DX/DT/DA/APP/ON-OFF

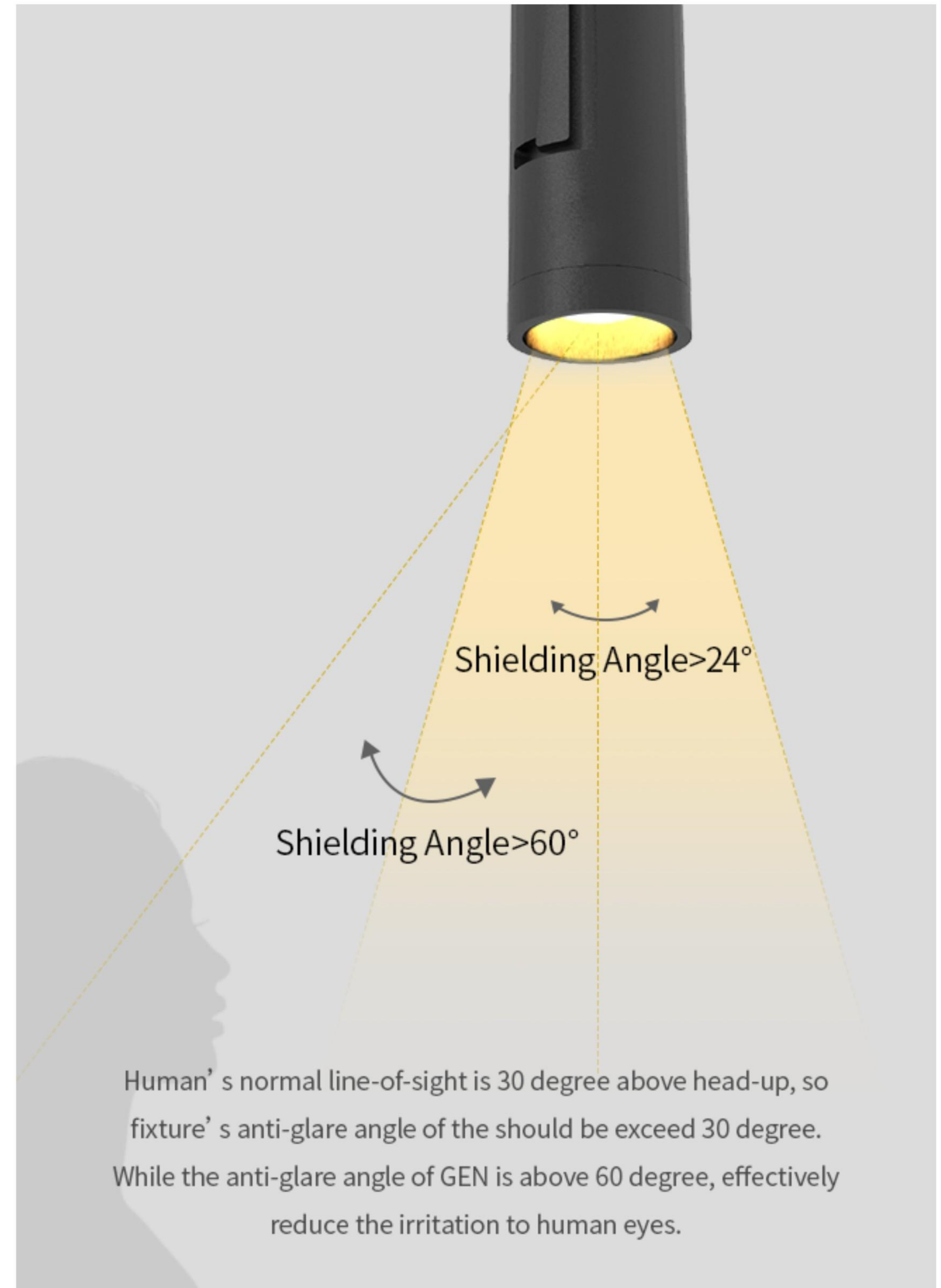




# SCOPO

Simple geometric shapes with excellent lighting effects, suitable for study room, bedroom children's room, etc.

© CE IP20 100-240VAC



Human's normal line-of-sight is 30 degree above head-up, so fixture's anti-glare angle of the should be exceed 30 degree. While the anti-glare angle of GEN is above 60 degree, effectively reduce the irritation to human eyes.



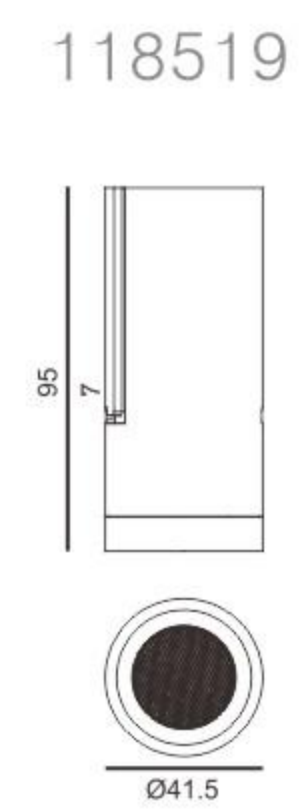
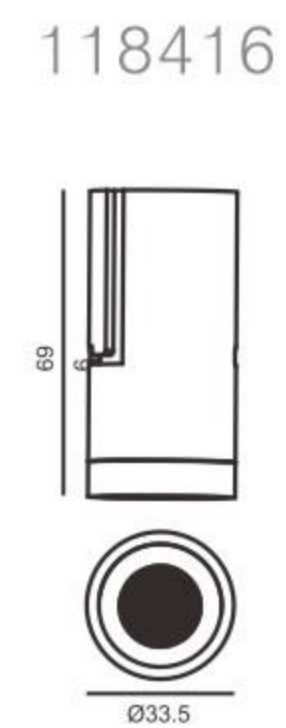
SCOPO S/M



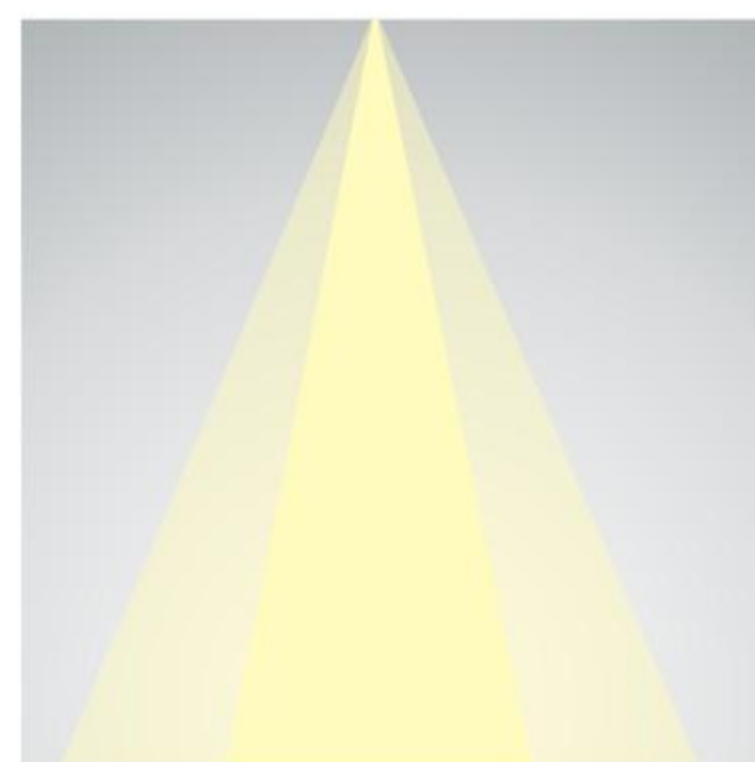
SCOPO S/M AD

SCOPO S/M

LED POWER: 4.2W/9W  
 SYSTEM OUTPUT: 270LM/500LM/3000K  
 INPUT: 100-240VAC  
 CRI: 90  
 DIMENSION: Ø33.5\*69.6mm  
 Ø41.5\*95.7mm



ANGLE 23°,33°,37°,46°

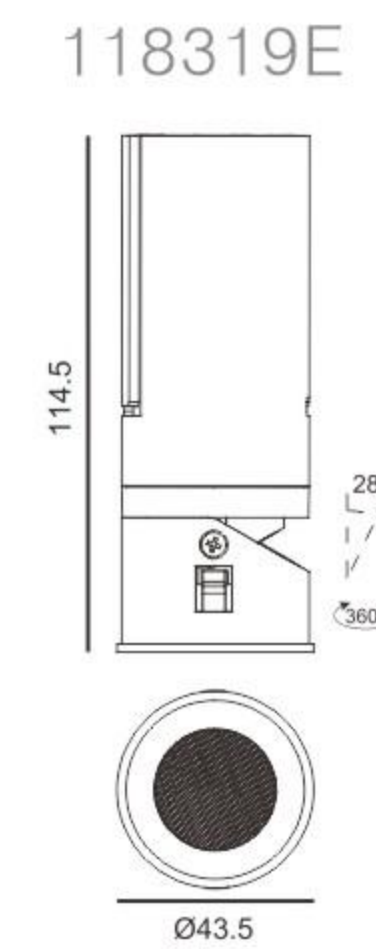
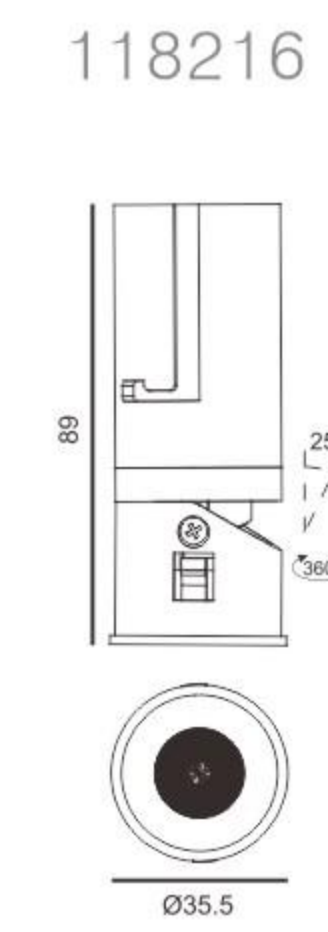


OPTION:

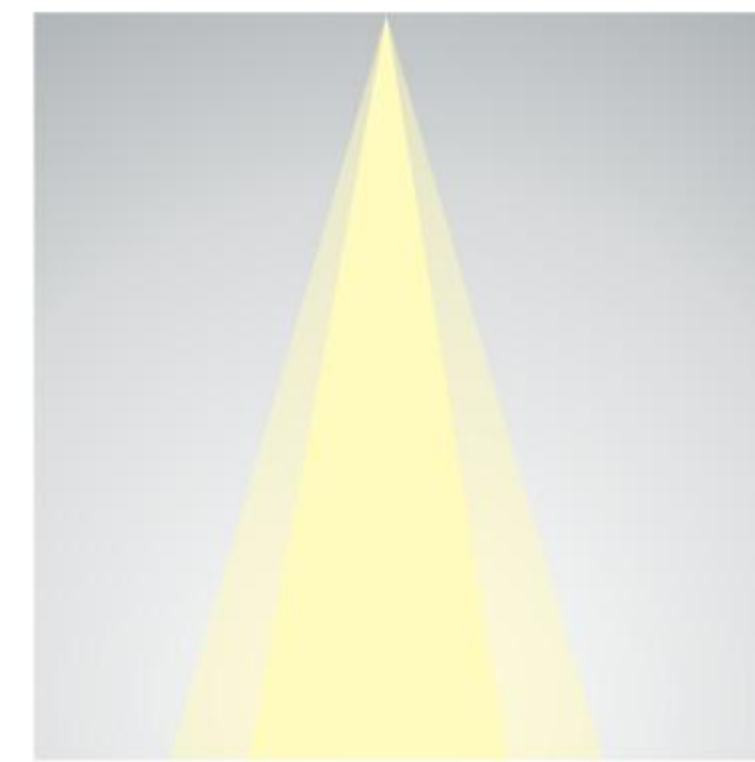
CODE	POWER	COLOR TEMP	BEAN ANGLE	CCT	DRIVER TYPE
118416	4.2W	Sandy Black/Sandy White	23°/33°/37°/46°	2700K/3000K/4000K	ON/OFF
118519	9W	Sandy Black/Sandy White	17°/25°/41°/57°	2700K/3000K/4000K	ON/OFF

SCOPO S/M AD

LED POWER: 4.2W/9W  
 SYSTEM OUTPUT: 140LM/347LM/3000K  
 INPUT: 100-240VAC  
 CRI: 90  
 DIMENSION: Ø33.5\*90.2mm  
 Ø41.5\*116.2mm



ANGLE 19°,28°,32°



OPTION:

CODE	POWER	COLOR TEMP	BEAN ANGLE	CCT	DRIVER TYPE
118216	4.2W	Sandy Black/Sandy White	19°,28°,32°	2700K/3000K/4000K	ON-OFF
118216	9W	Sandy Black/Sandy White	17°,24°,38°,51°	2700K/3000K/4000K	ON-OFF

Different installations including surfaced recessed and trimless recessed.



surfaced recessed

trimless recessed

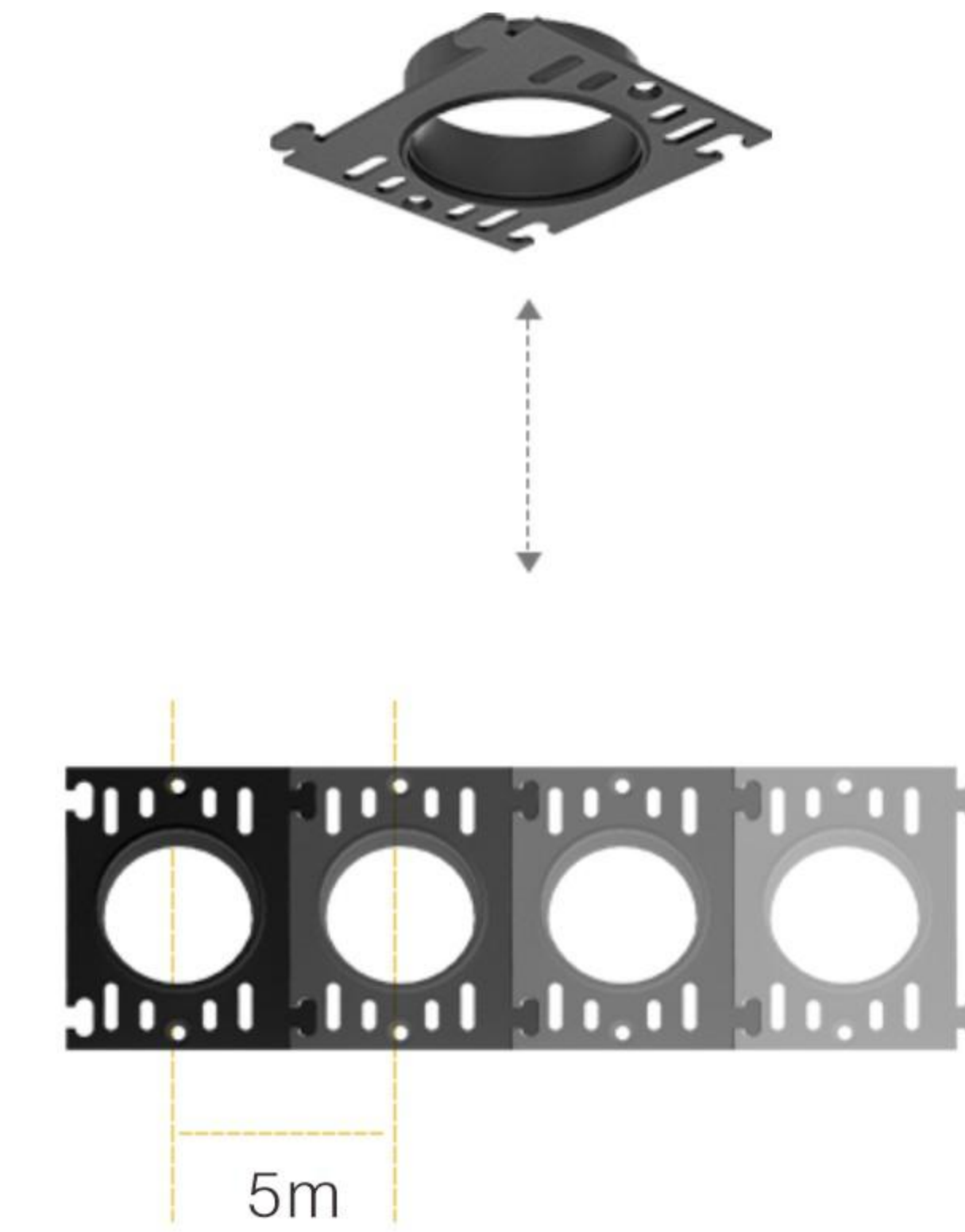
counter-rotating installation



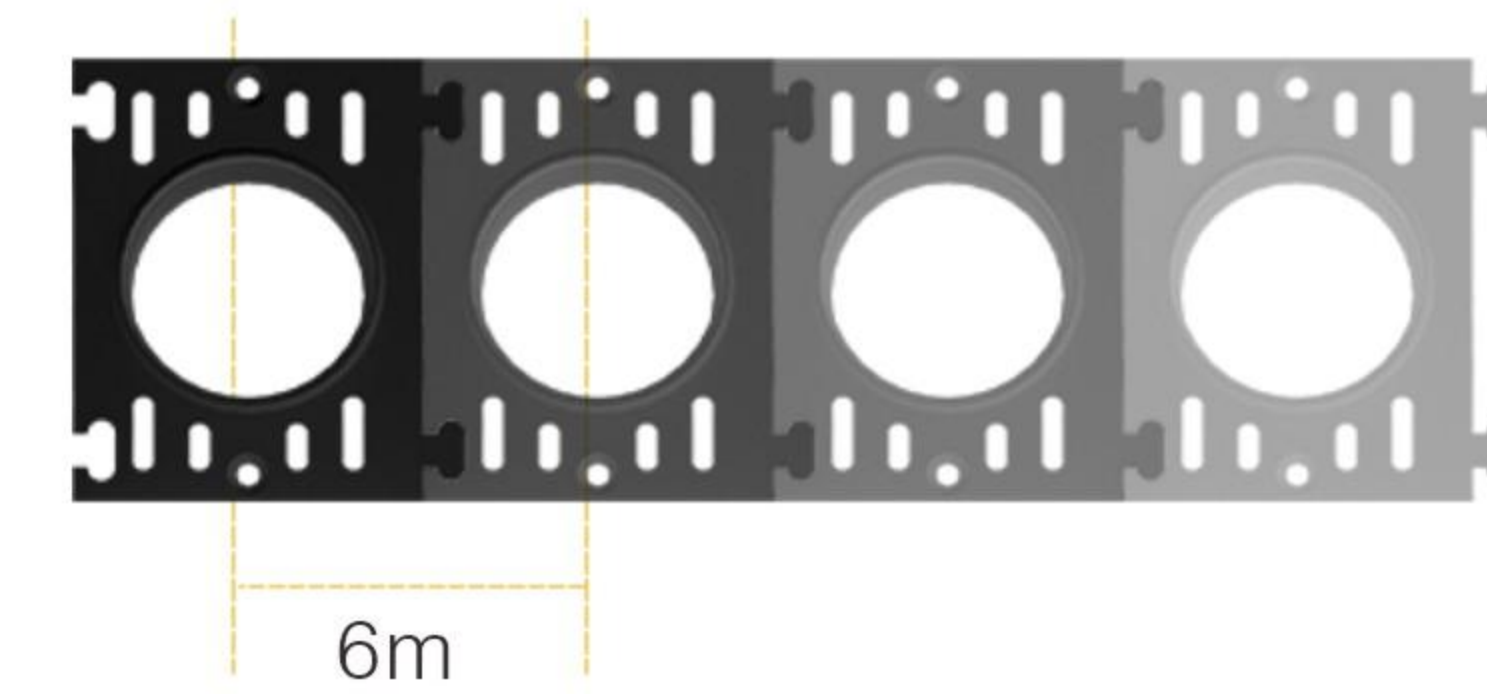
Step 1

Step 2

The embedded fittings can be spliced and make the lamps installed side by side.











5cm distance between lamps after S version combined









6cm distance between lamps after M version combined



Non-adjustable

Body	Anti-glare accessories	Recessed trim frame	Recessed trimless frame
 S BODY 118416	 S COVER 003758	 S FRAME 003756	 S T FRAME 003754
 M BODY 118519	 M COVER 003759	 M FRAME 003757	 M T FRAME 003755

Adjustable

 S AD BODY 118216	 S AD FRAME 003752	 S AD T FRAME 003760
 M AD BODY 118319	 M AD FRAME 003753	 M AD T FRAME 003751

\* Same lamp body available to math with both trim and trimless frame \*



DOWNLIGHT





# DINA

Inspired by the DIVA series, the new DINA downlight is integrated with more functions to fulfill your needs. With round light outlet, it's always spot on with precised light control system. And it becomes your humble wall washer with oval light outlet. It comes with options of S (7.4W) and M (10.7W) as well as IP54 verified.

© CE IP54 220-240VAC DIM TRIAC DIM 1-10V DALI



M OVAL

S





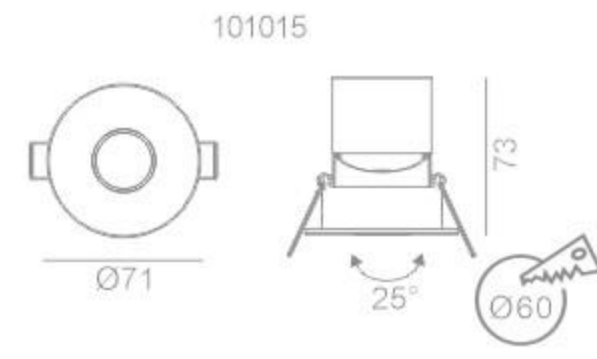
S



S OVAL

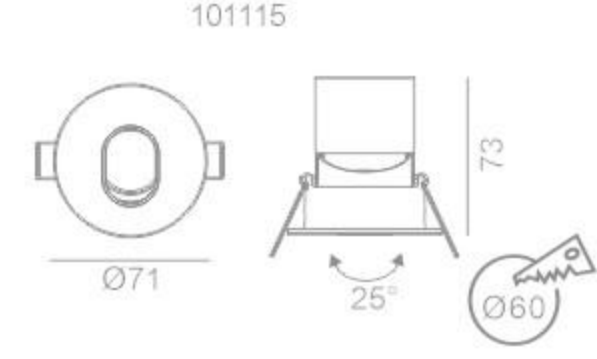
DINA S

LED POWER: 5.4W  
LUMINAIRE LUMEN: 180LM/3000K  
INPUT: 220-240VAC,50/60Hz  
CRI: 90  
DIMENSION: Ø71\*73mm  
HOLE SIZE: Ø60mm



DINA S OVAL

LED POWER: 5.4W  
LUMINAIRE LUMEN: 185LM/3000K  
INPUT: 220-240VAC,50/60Hz  
CRI: 90  
DIMENSION: Ø71\*73mm  
HOLE SIZE: Ø60mm



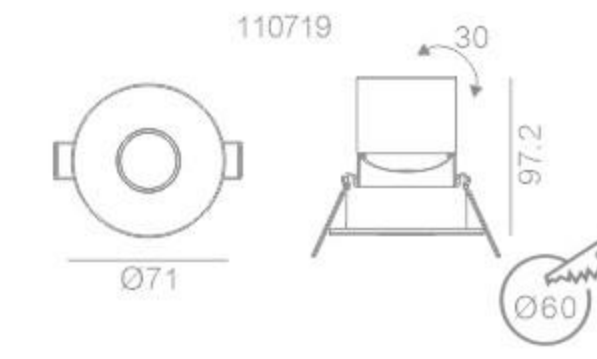
S+



S+ OVAL

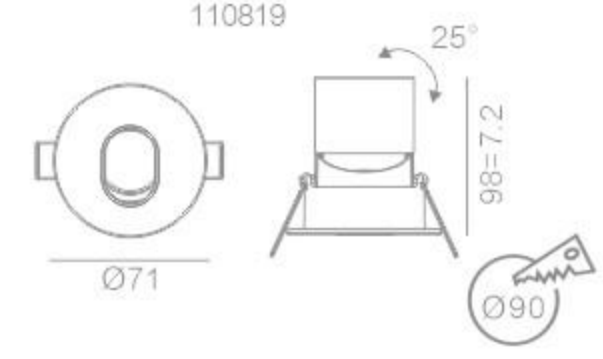
DINA S+

LED POWER: 7.2W  
SYSTEM POWER: 10W  
LUMINAIRE LUMEN: 234LM/3000K  
INPUT: 100-240VAC,50/60Hz  
CRI: 90  
DIMENSION: Ø70.6\*97.2mm  
HOLE SIZE: Ø60mm



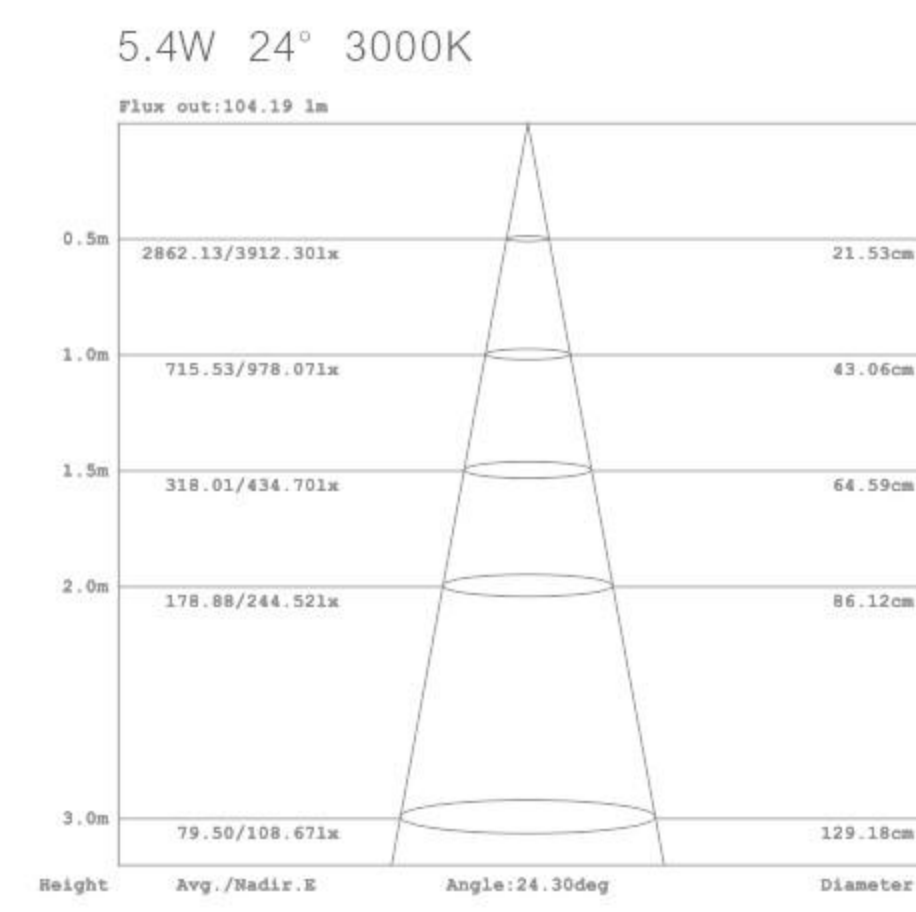
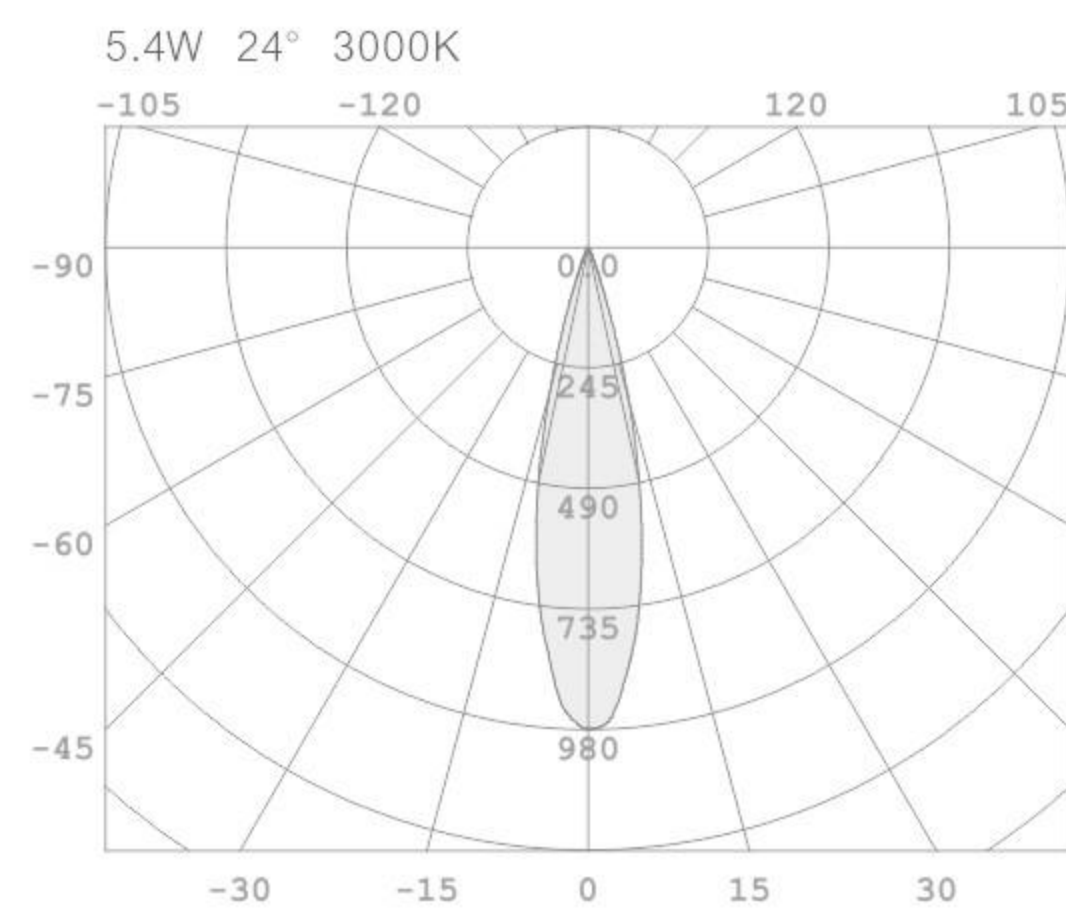
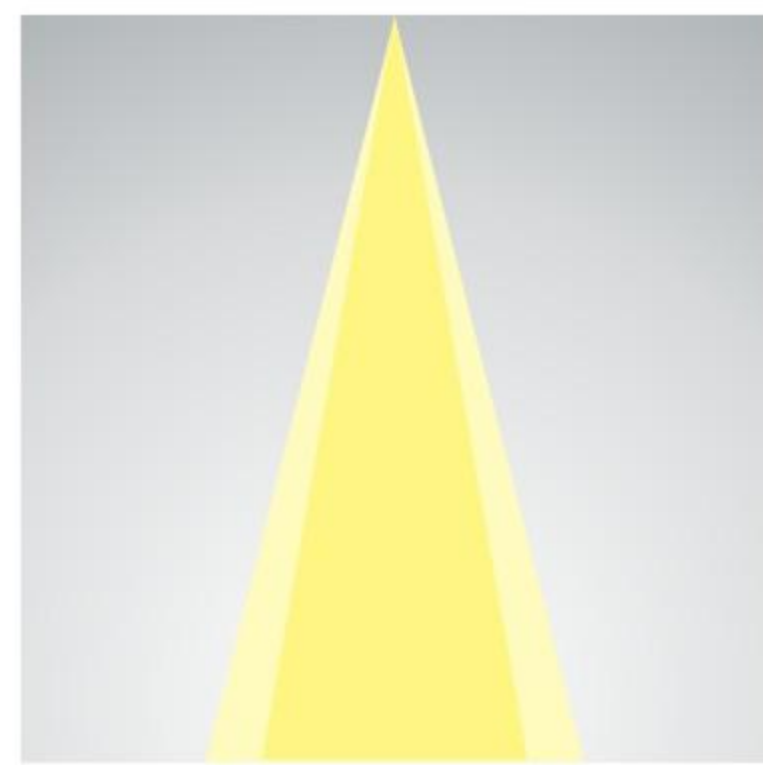
DINA S+ OVAL

LED POWER: 7.2W  
SYSTEM POWER: 10W  
LUMINAIRE LUMEN: 234LM/3000K  
INPUT: 220-240VAC,50/60Hz  
CRI: 90  
DIMENSION: Ø70.6\*97.2mm  
HOLE SIZE: Ø60mm



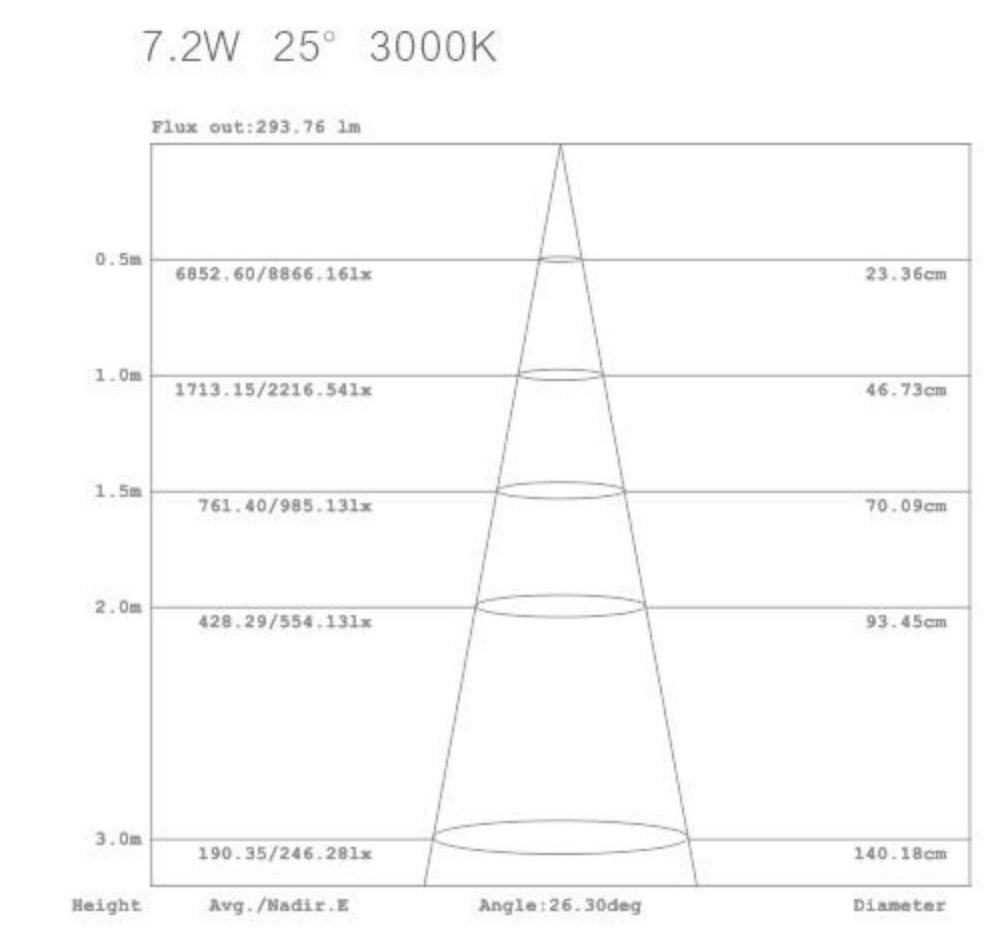
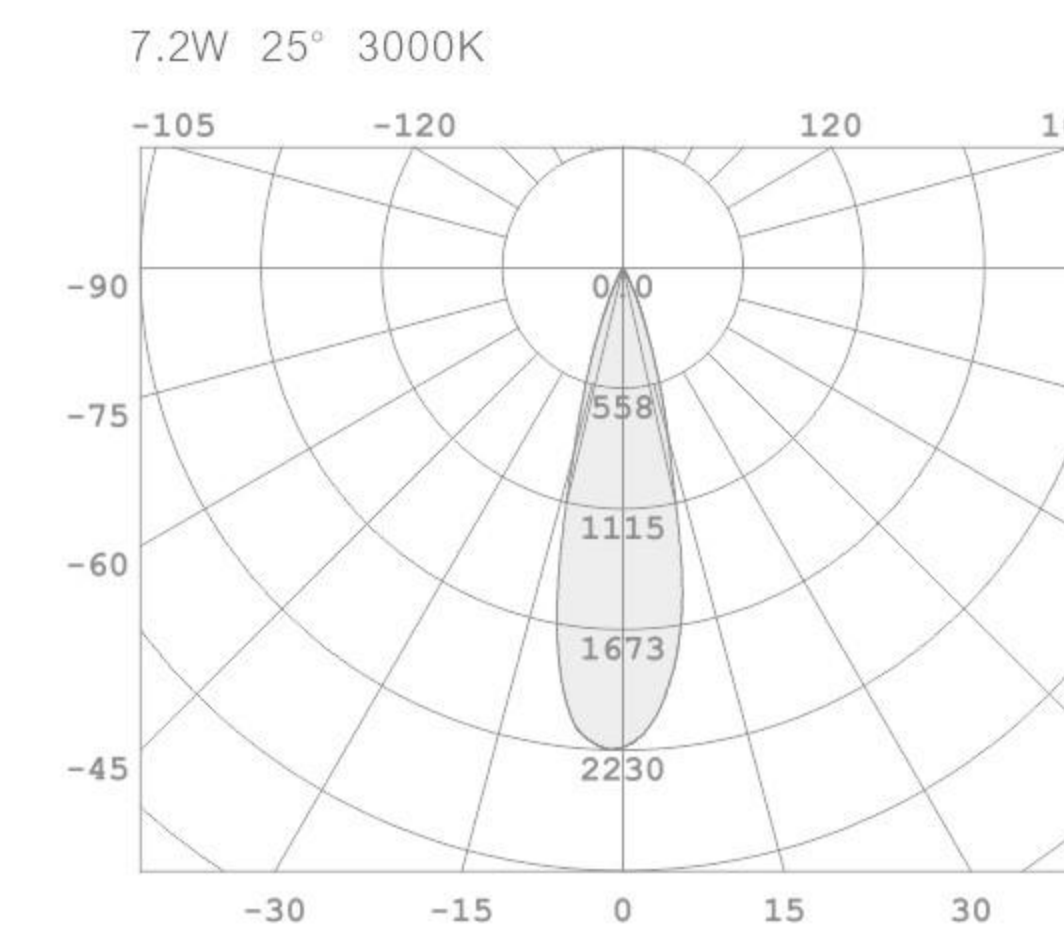
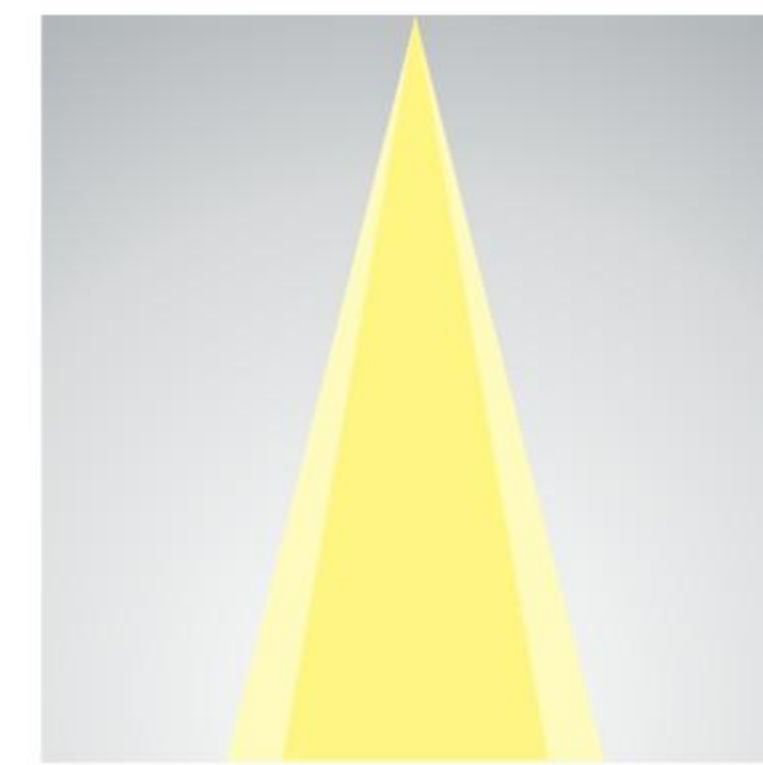
DINA S

ANGLE 24°



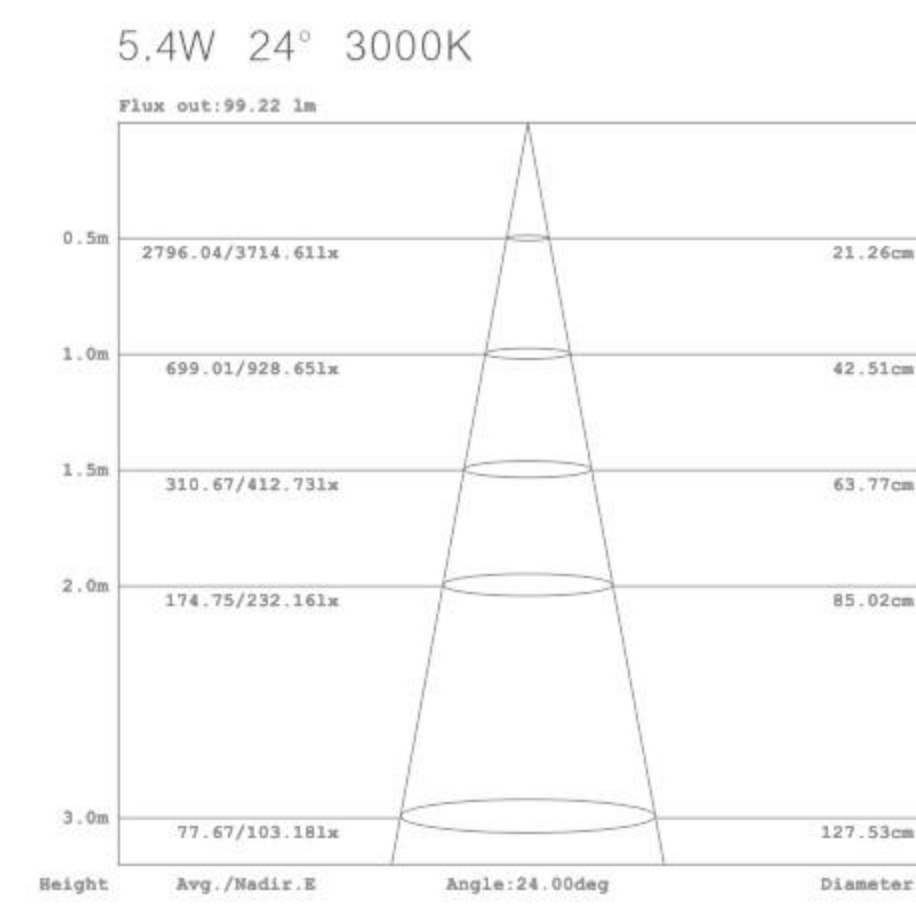
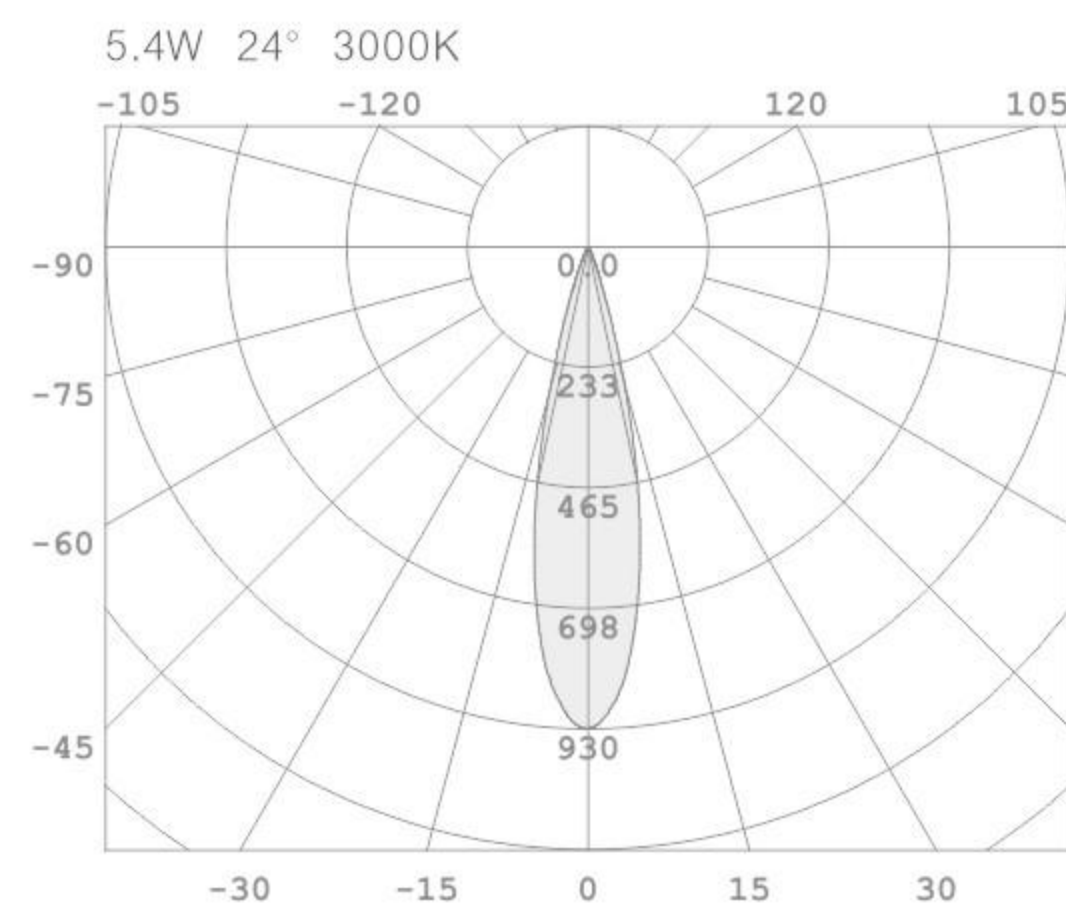
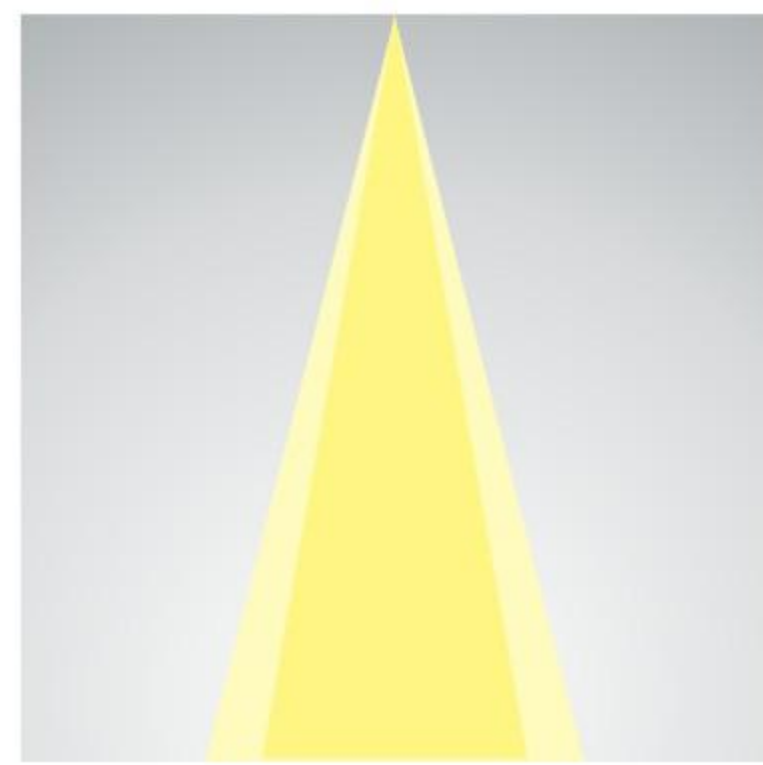
DINA S+

ANGLE 25°



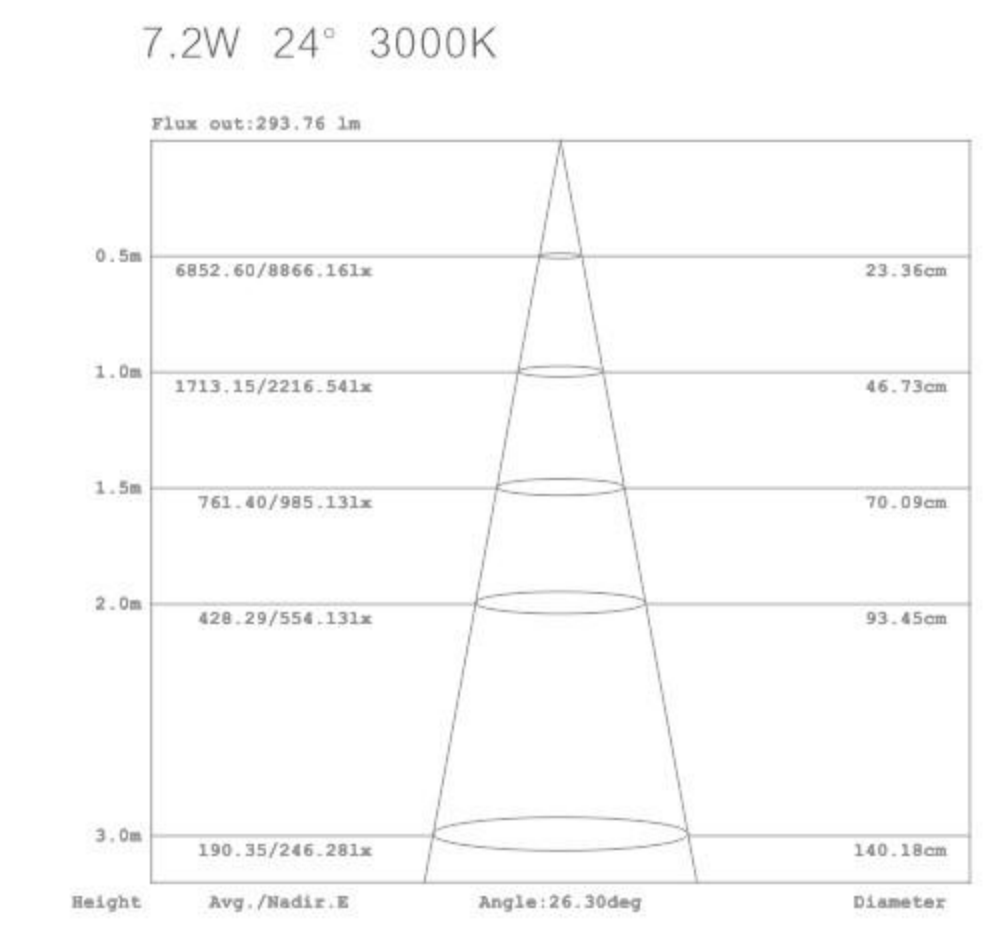
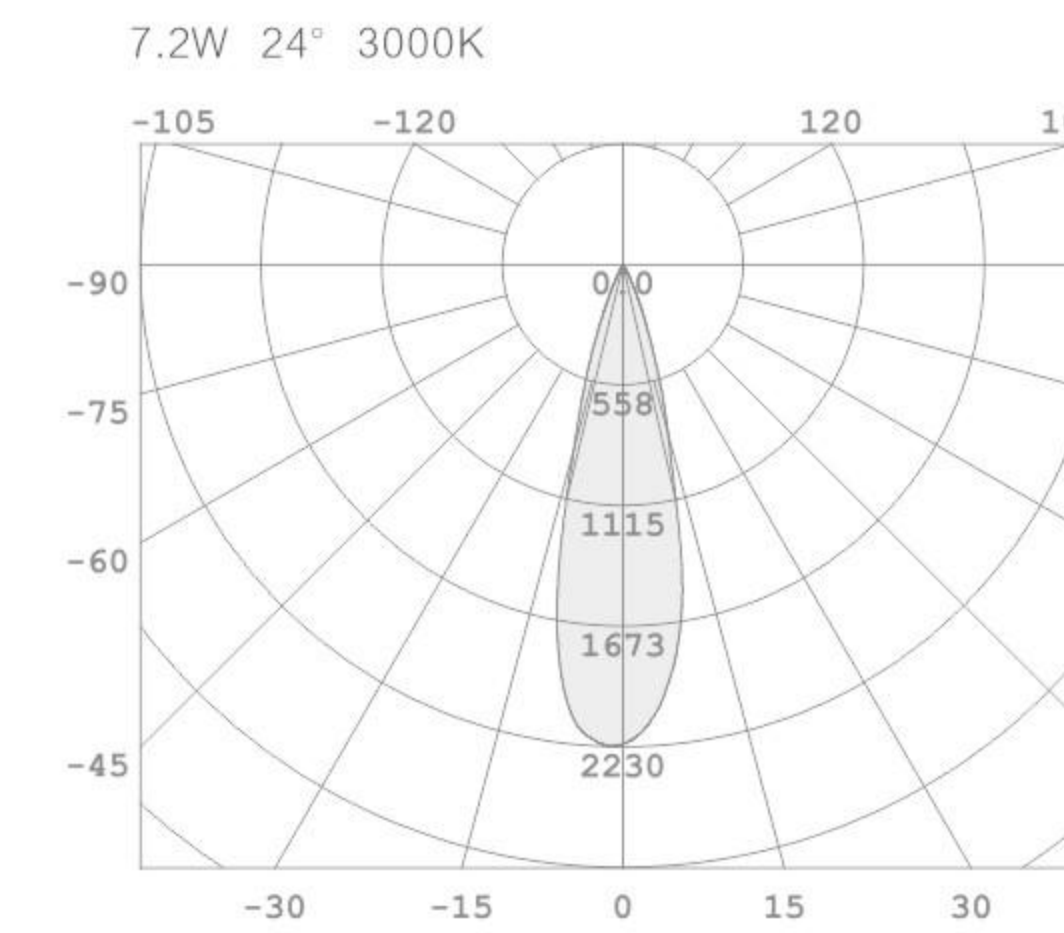
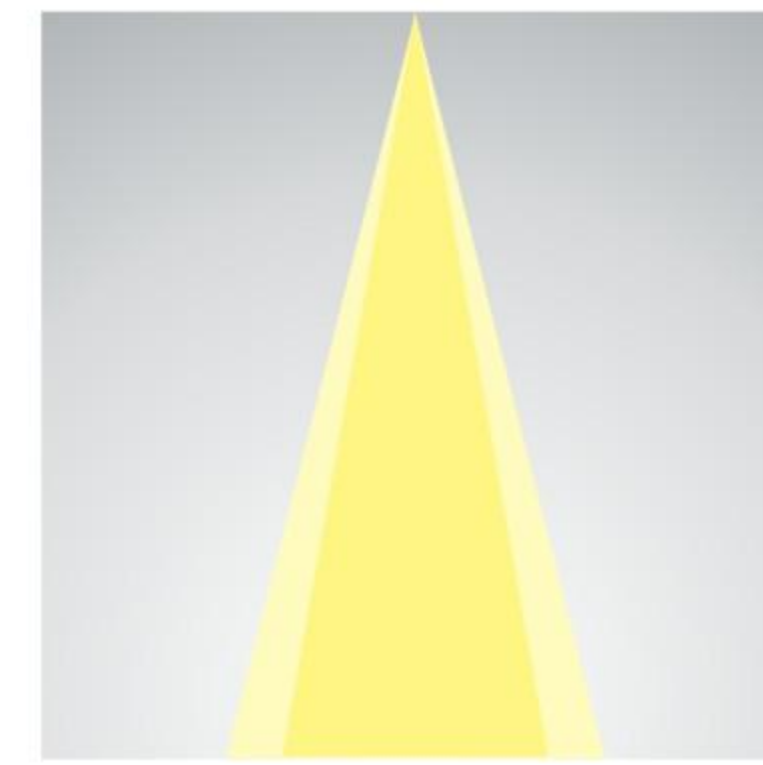
DINA S OVAL

ANGLE 24°



DINA S+ OVAL

ANGLE 24°



OPTION:

CODE	POWER	COLOR TEMP	BEAN ANGLE	CCT	DRIVER TYPE
101015	6.8W	Sandy Black/Sandy White	24°	2700K/3000k/4000K	DX/DT/DA/APP/ON-OFF
101115	6.8W	Sandy Black/Sandy White	24°	2700K/3000k/4000K	DX/DT/DA/APP/ON-OFF

OPTION:

CODE	POWER	COLOR TEMP	BEAN ANGLE	CCT	DRIVER TYPE
110719	10W	Sandy Black/Sandy White	25°	2700K/3000k/4000K	DX/DT/DA/APP/ON-OFF
110819	10W	Sandy Black/Sandy White	24°	2700K/3000k/4000K	DX/DT/DA/APP/ON-OFF



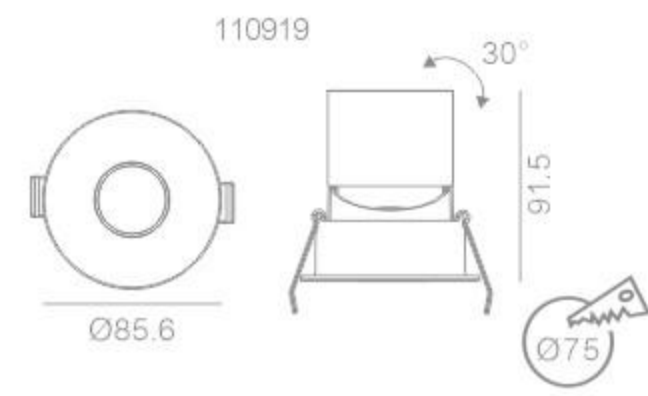
M



M OVAL

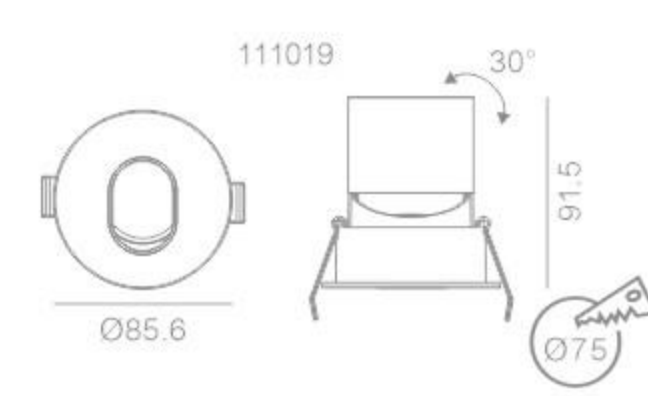
DINA M

LED POWER: 7.2W  
LUMINAIRE LUMEN: 352LM/3000K  
INPUT: 100-240VAC,50/60Hz  
CRI: 90  
DIMENSION: Ø85.6\*91.5mm  
HOLE SIZE: Ø75



DINA M OVAL

LED POWER: 7.2W  
LUMINAIRE LUMEN: 334LM/3000K  
INPUT: 220-240VAC,50/60Hz  
CRI: 90  
DIMENSION: Ø85.6\*91.5mm  
HOLE SIZE: Ø75



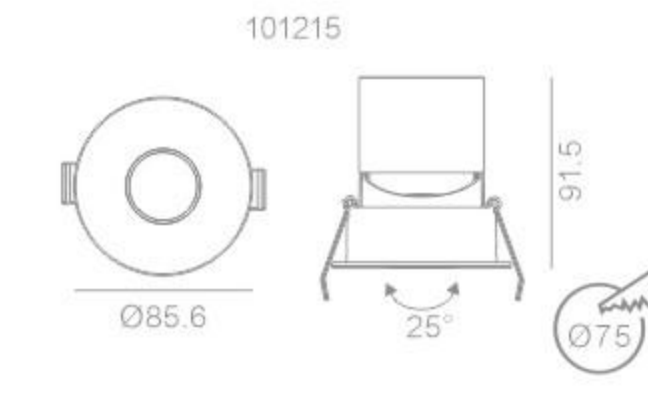
M+



M+ OVAL

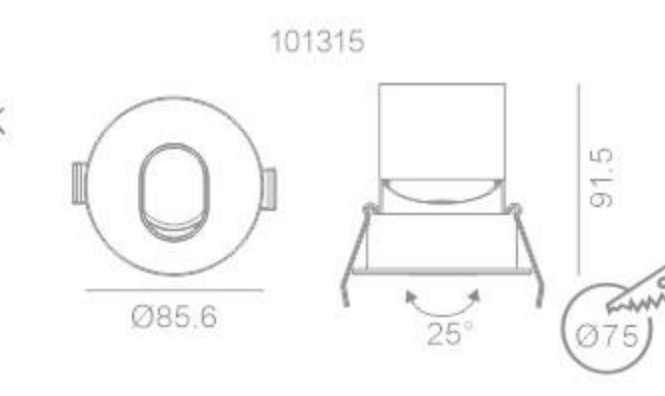
DINA M+

LED POWER: 9W  
LUMINAIRE LUMEN: 470LM/3000K  
INPUT: 220-240VAC,50/60Hz  
CRI: 90  
DIMENSION: Ø85.6\*91.5mm  
HOLE SIZE: Ø75mm



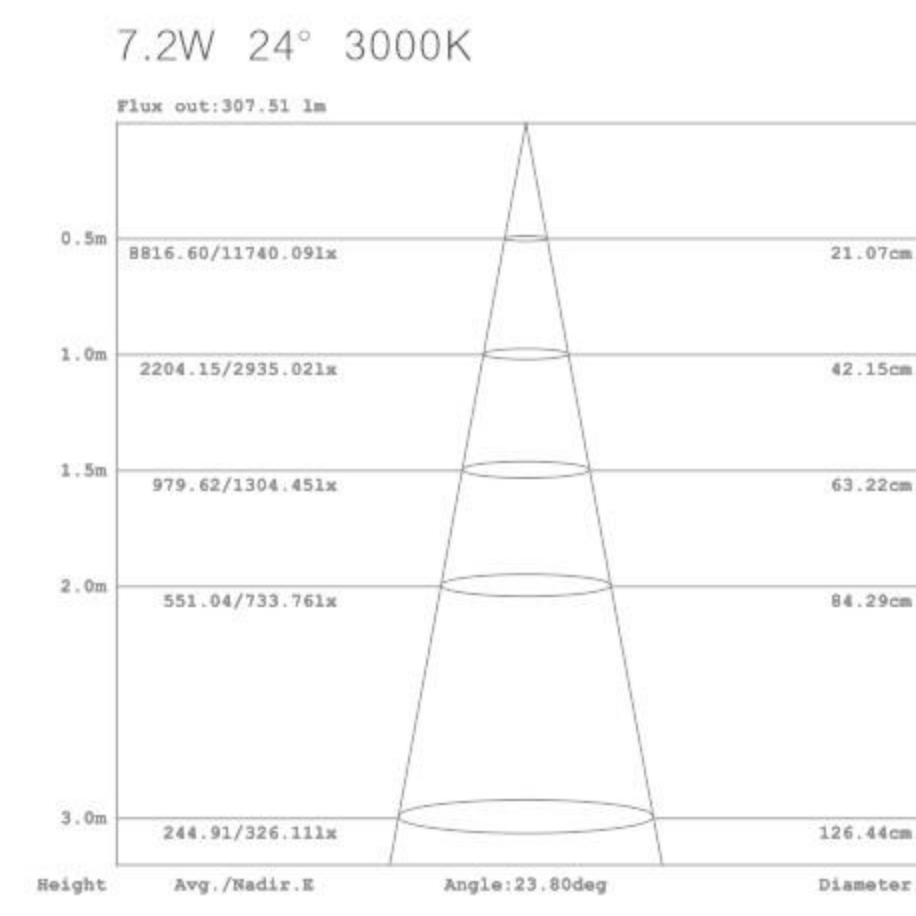
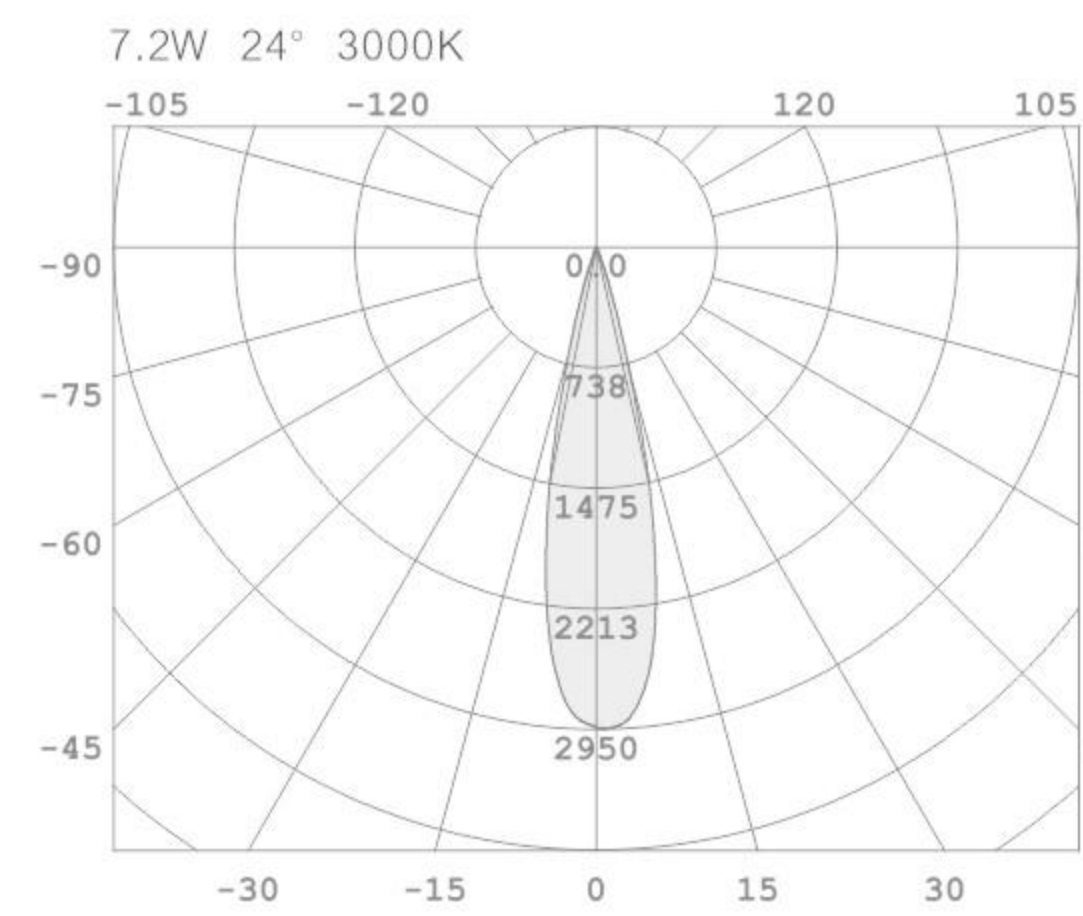
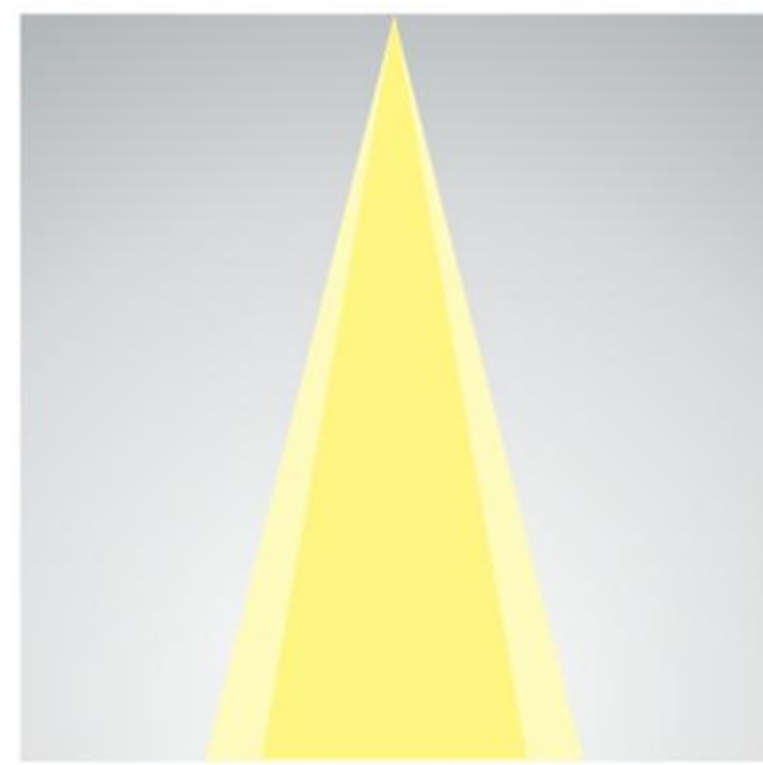
DINA M+ OVAL

LED POWER: 9W  
LUMINAIRE LUMEN: 480LM/3000K  
INPUT: 100-240VAC,50/60Hz  
CRI: 90  
DIMENSION: Ø85.6\*91.5mm  
HOLE SIZE: Ø75mm



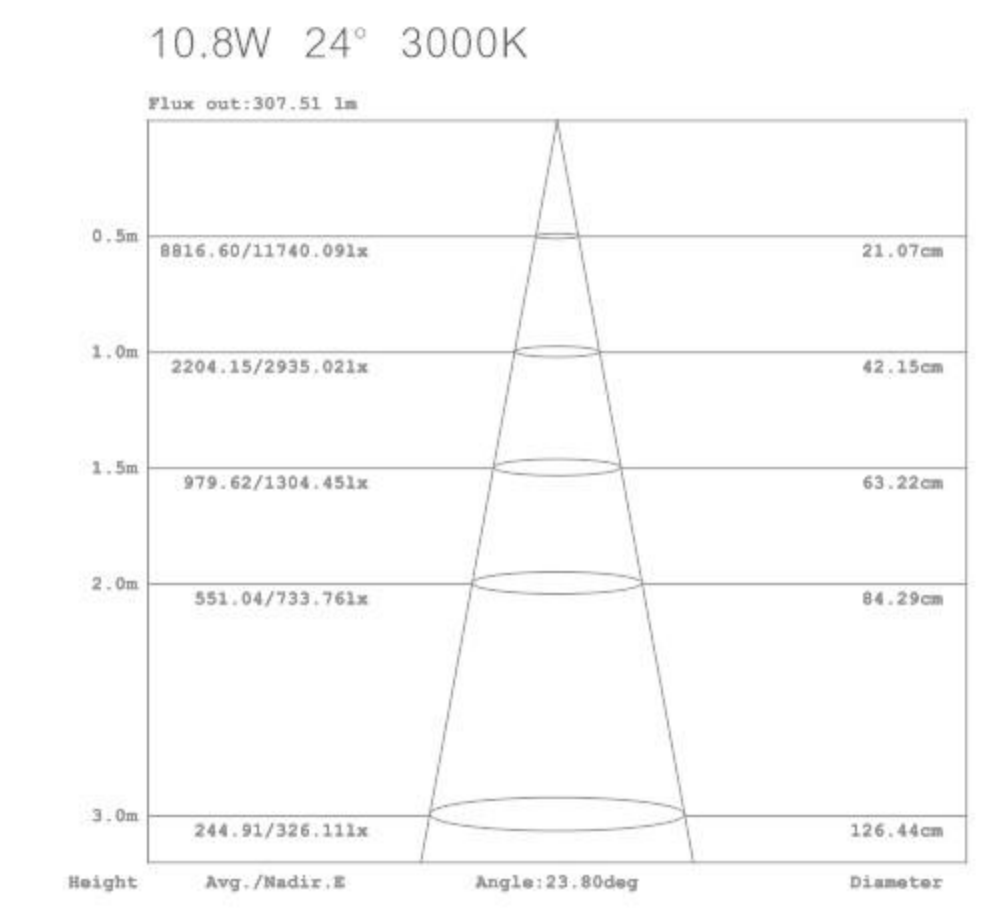
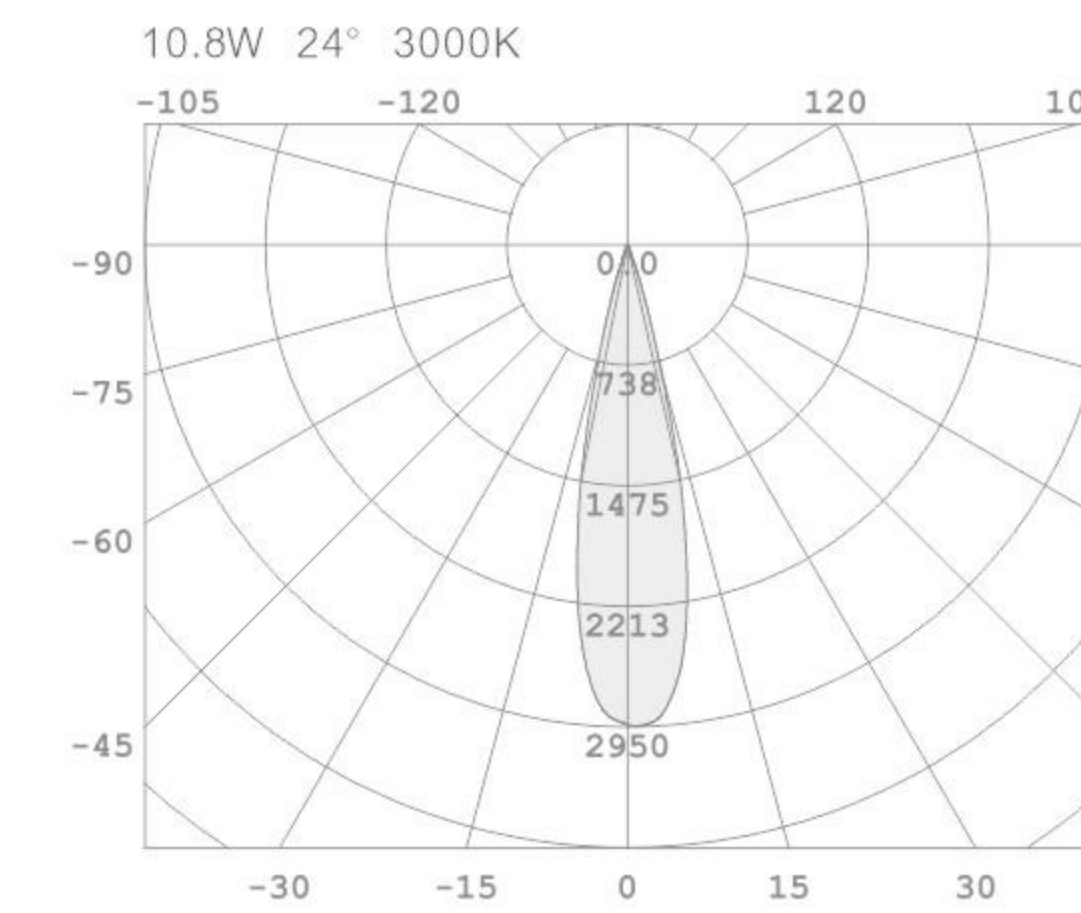
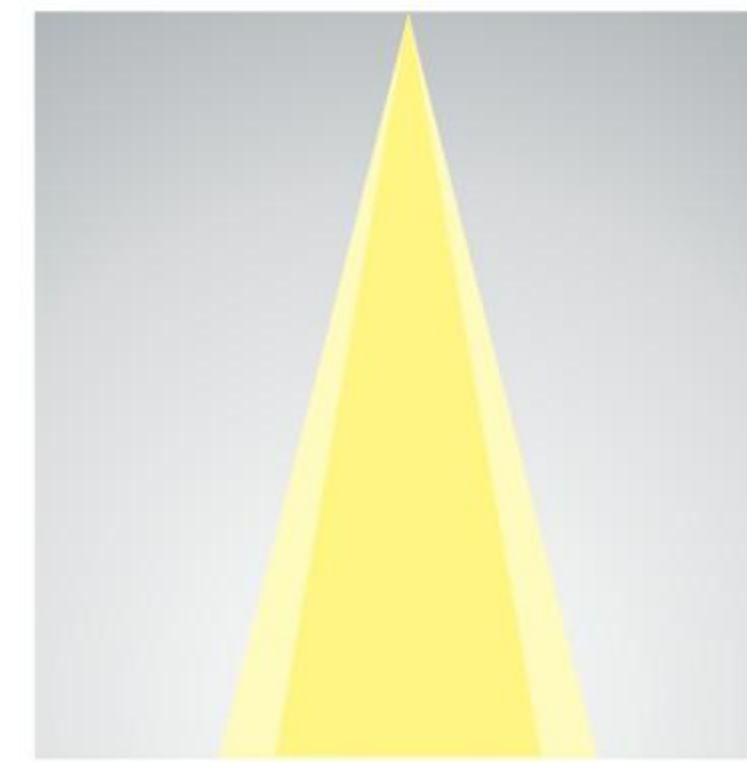
DINA M

ANGLE 24°



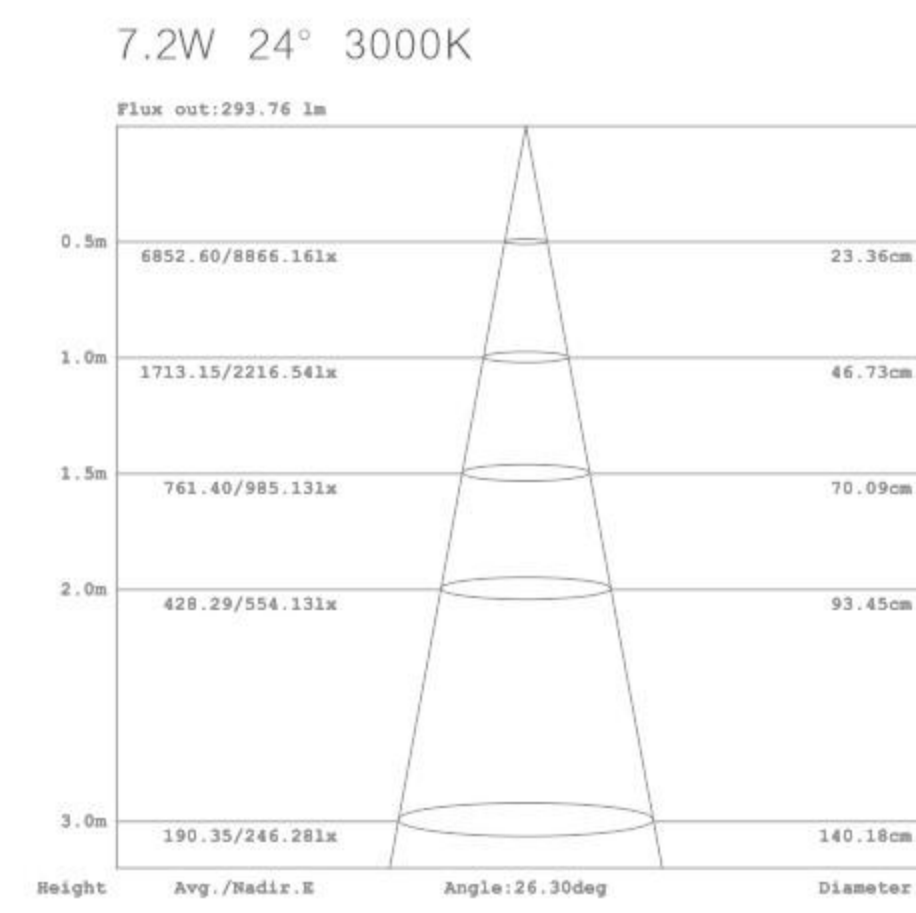
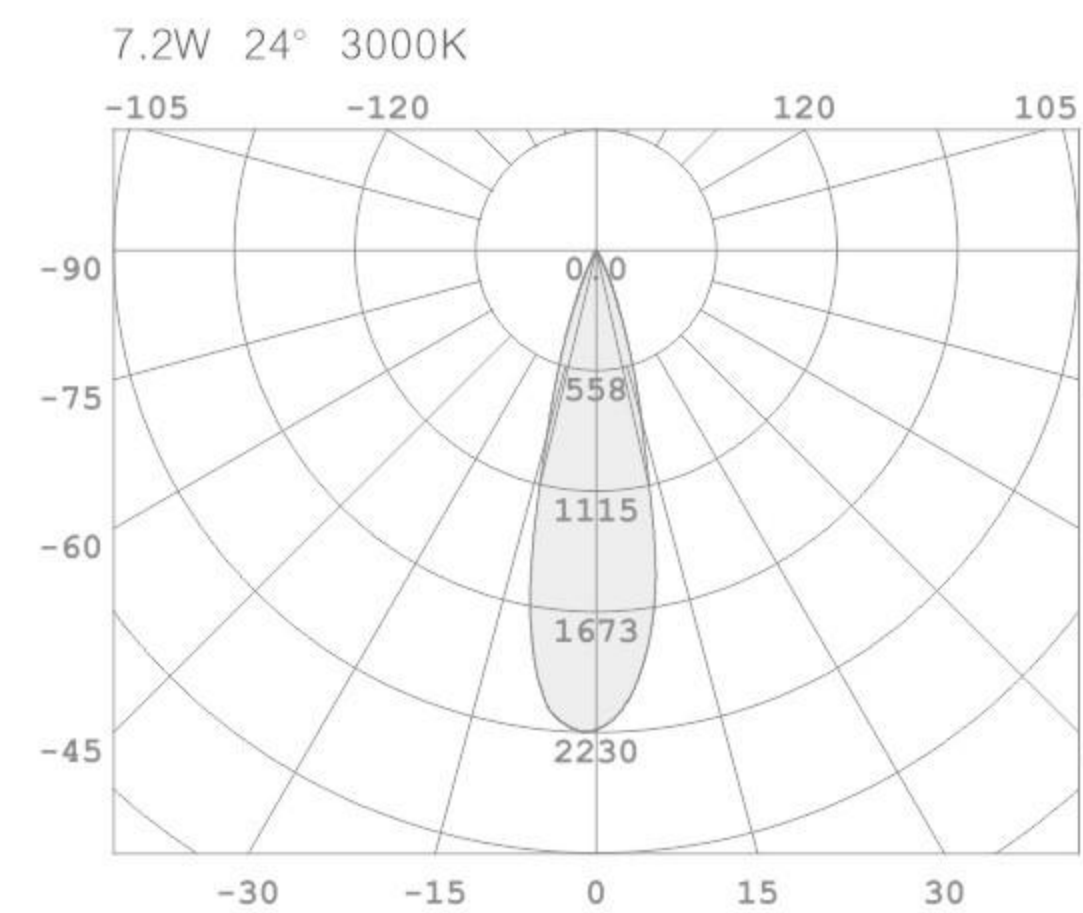
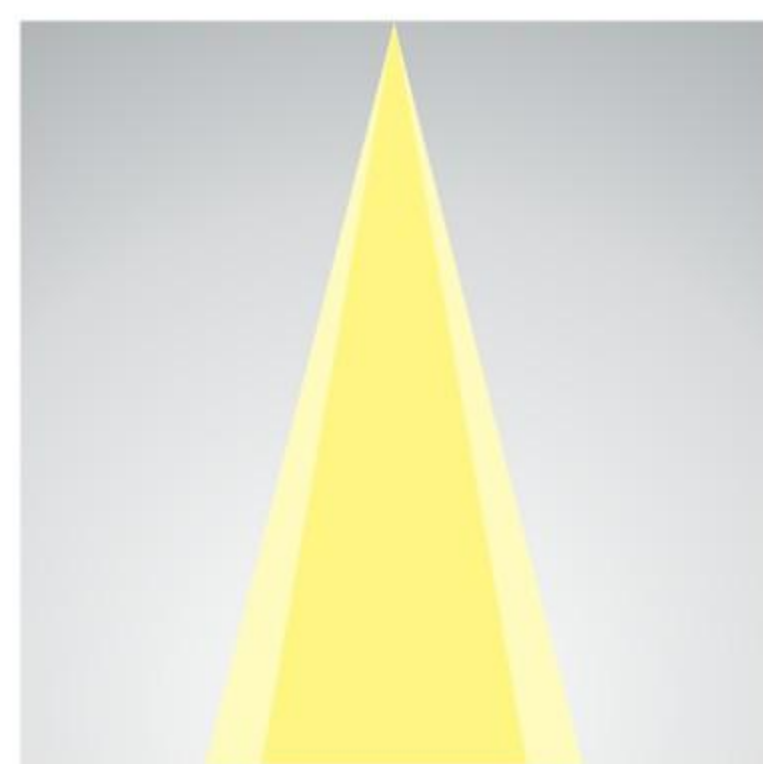
DINA M+

ANGLE 24°



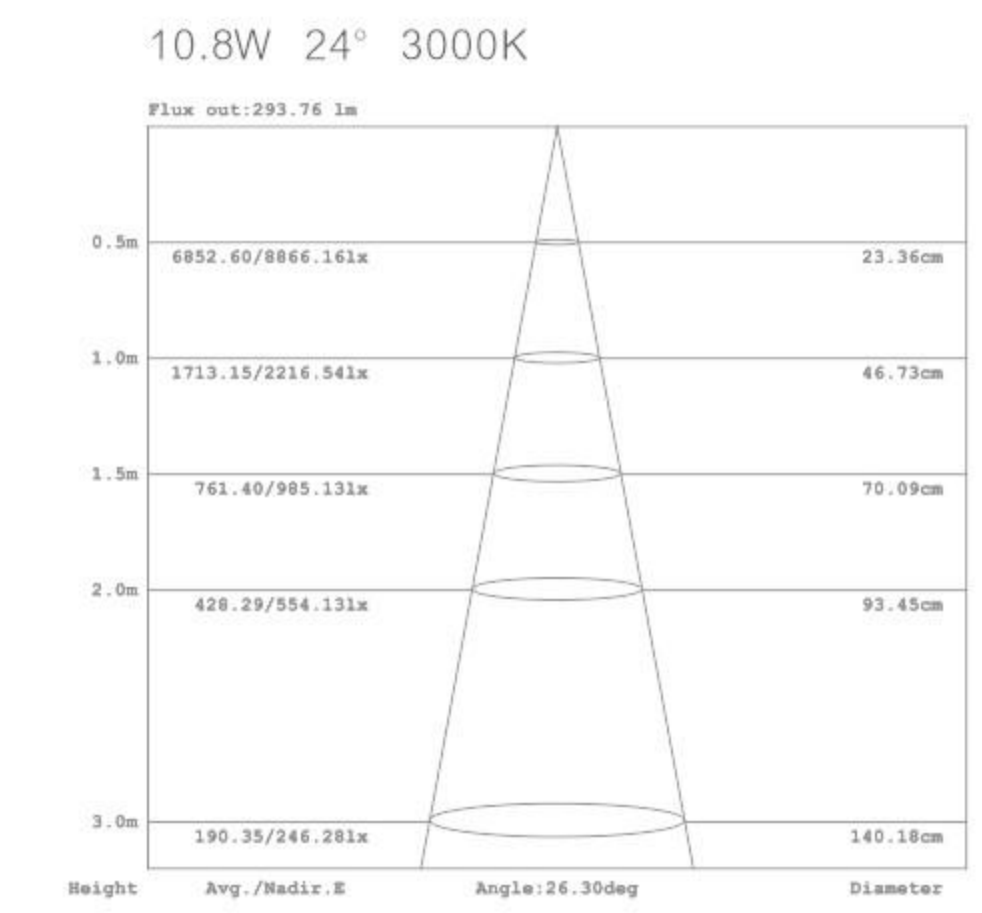
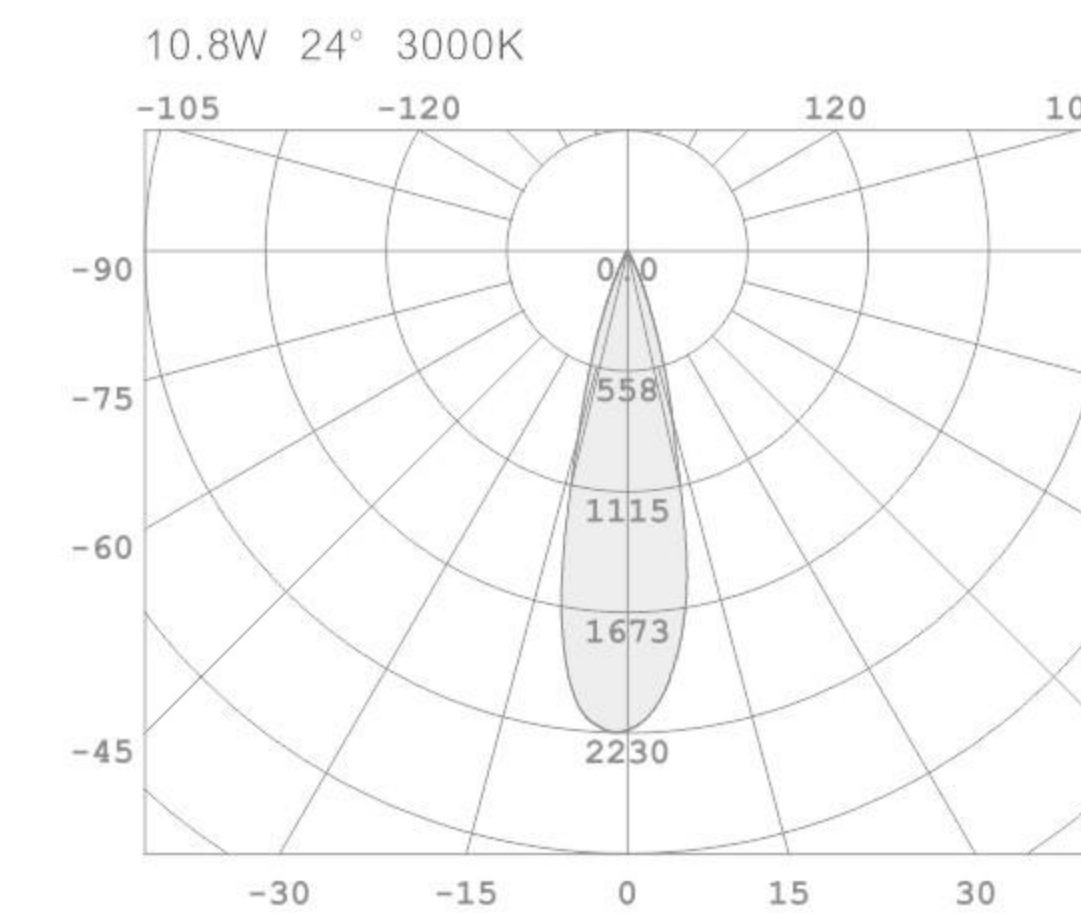
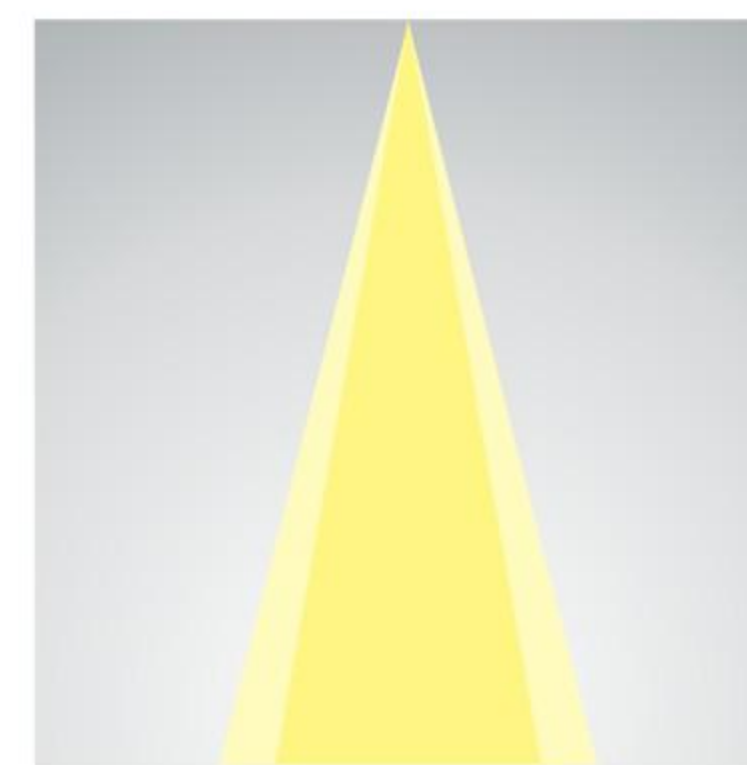
DINA M OVAL

ANGLE 24°



DINA M OVAL

ANGLE 24°

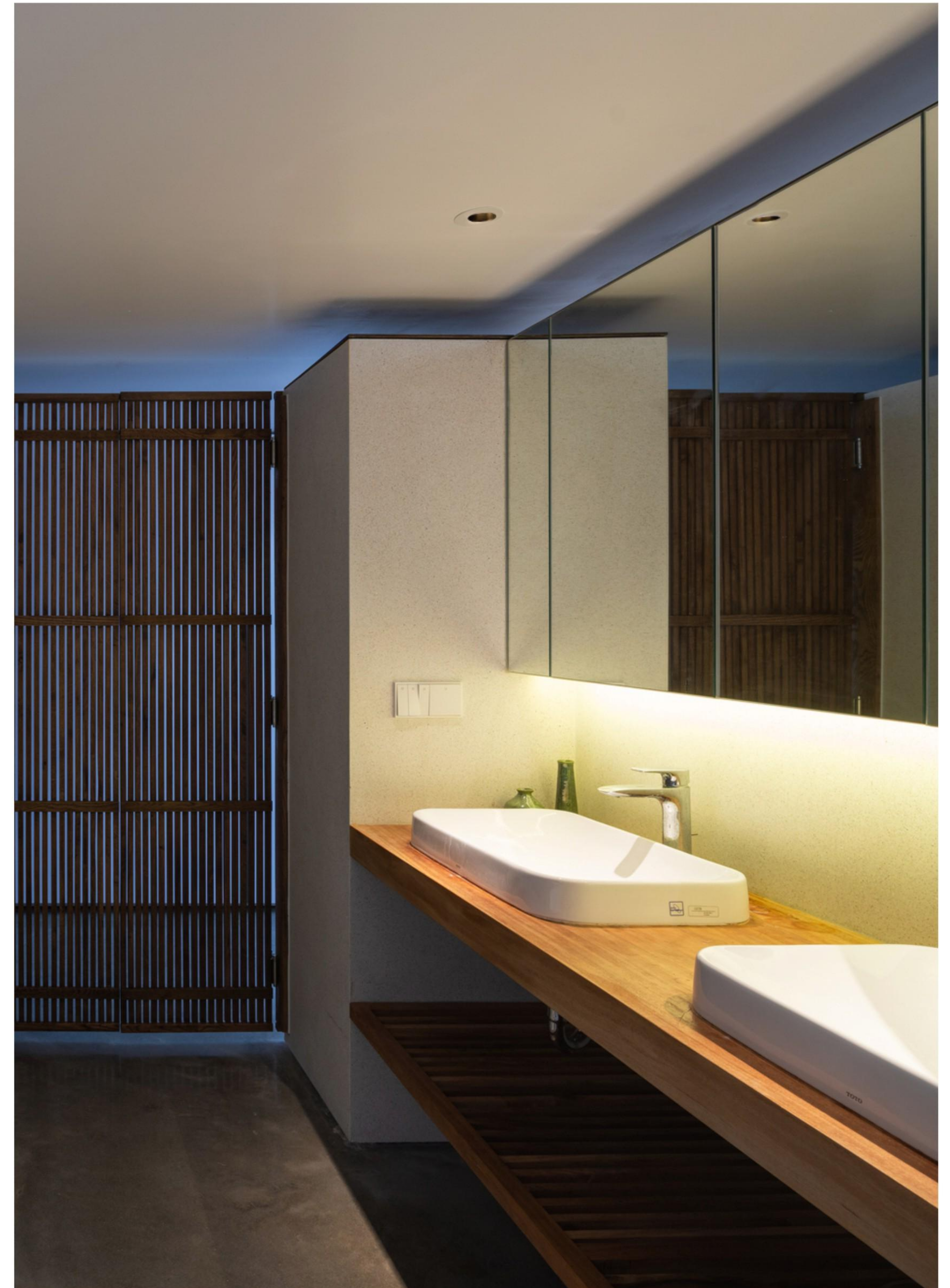


OPTION:

CODE	POWER	COLOR TEMP	BEAN ANGLE	CCT	DRIVER TYPE
110919	10W	Sandy Black/Sandy White	16°,24°,30°	2700K/3000k/4000K	DX/DT/DA/APP/ON-OFF
111019	10W	Sandy Black/Sandy White	16°/24°/29°	2700K/3000k/4000K	DX/DT/DA/APP/ON-OFF

OPTION:

CODE	POWER	COLOR TEMP	BEAN ANGLE	CCT	DRIVER TYPE
101215	12W	Sandy Black/Sandy White	15°,24°	2700K/3000K/3500K/4000K	DX/DT/DA/ON-OFF
101315	12W	Sandy Black/Sandy White	15°,24°	2700K/3000K/3500K/4000K	DX/DT/DA/ON-OFF

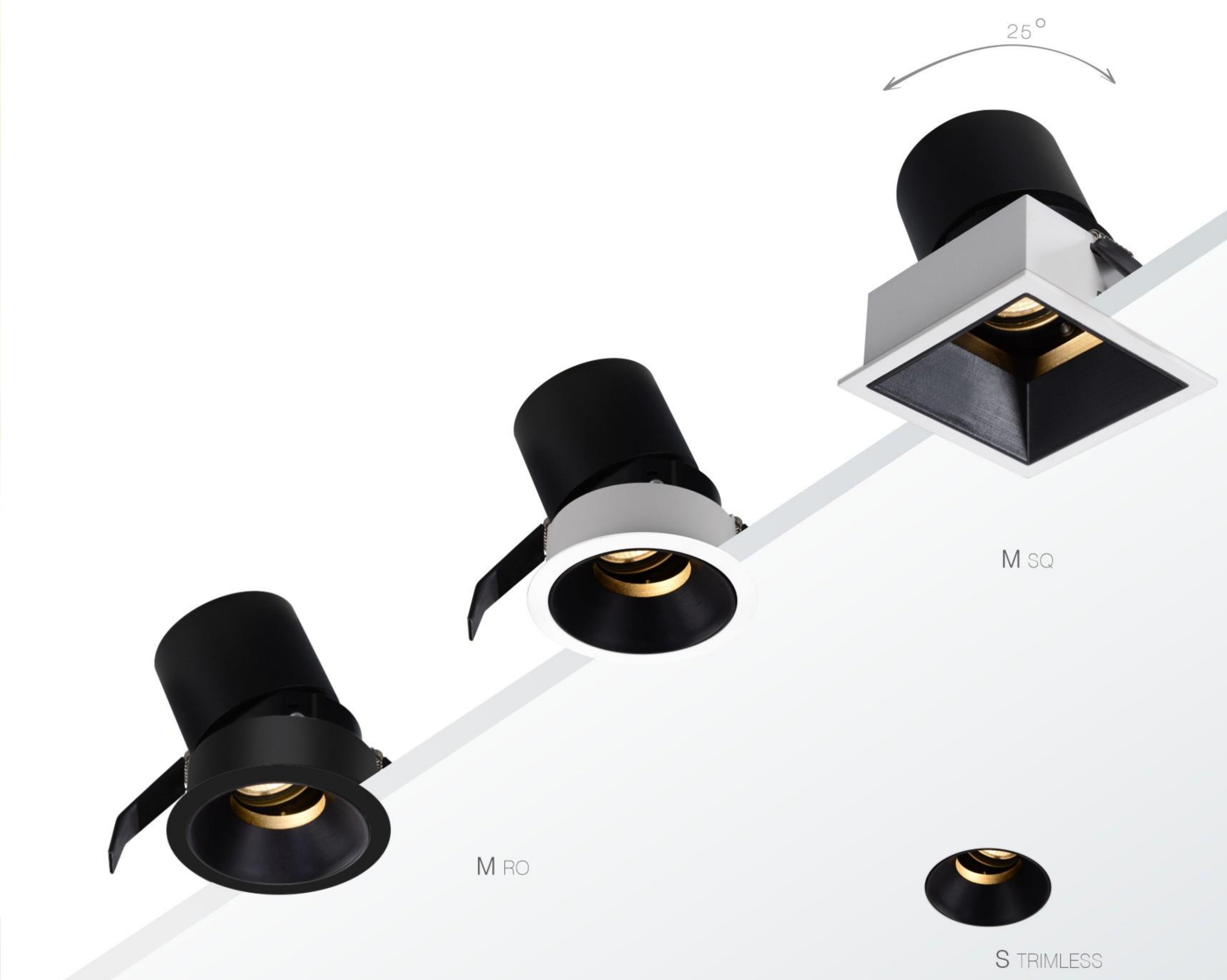




# FAST

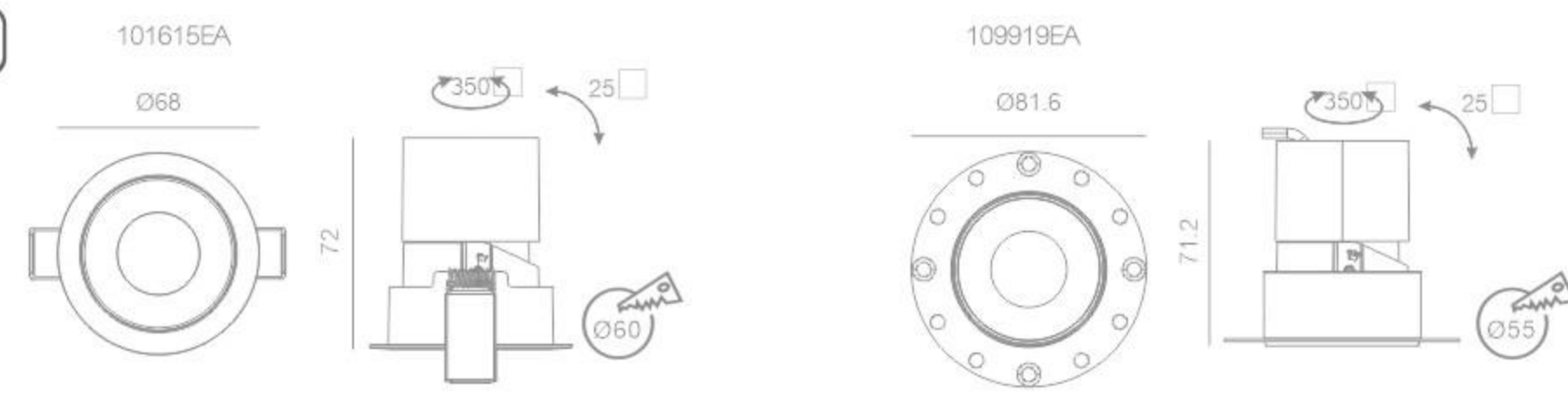
FAST (S - 7.4W / M - 10.7W) are the latest designs under architectural lighting portfolio. Square design brings you a very sharp lighting experience while round design leads you to a romantic scene. Certified with IP54, it's capable of most interior lighting demands.

© CE IP54 220-240VAC DIM TRIAC DIM 1-10V DALI

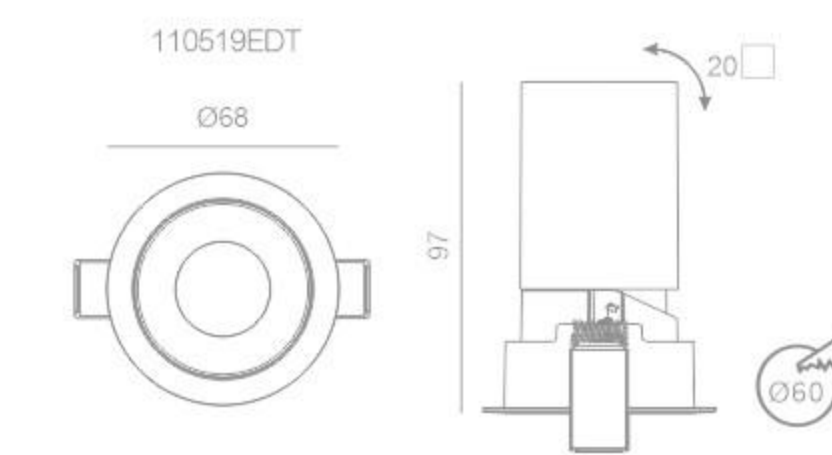




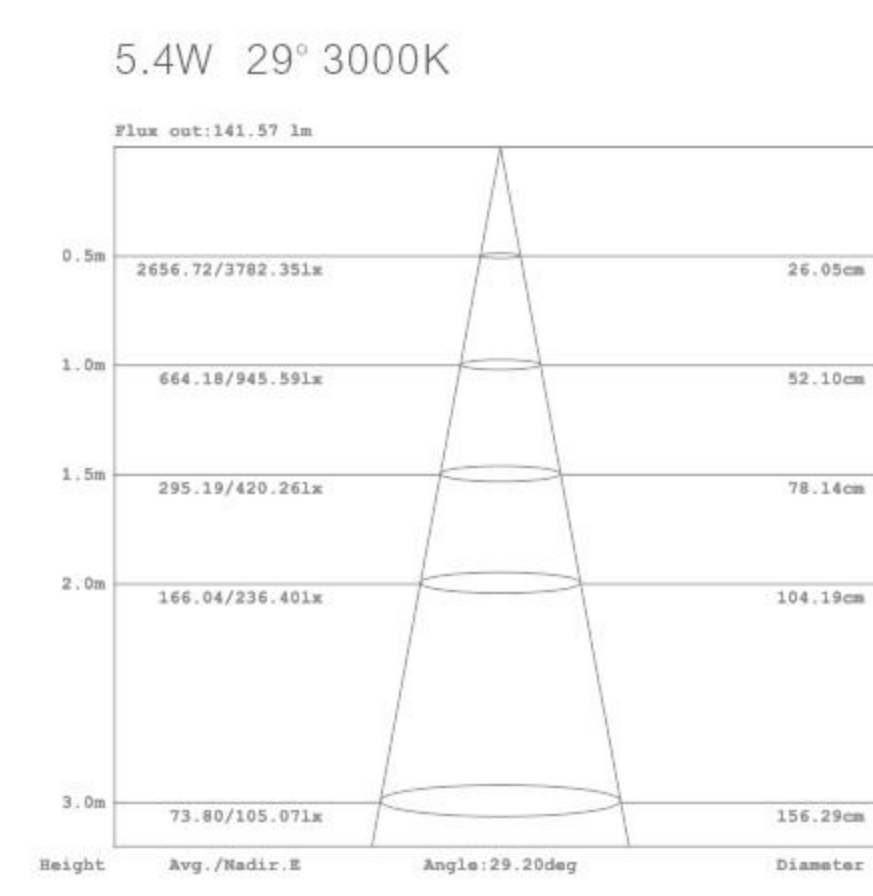
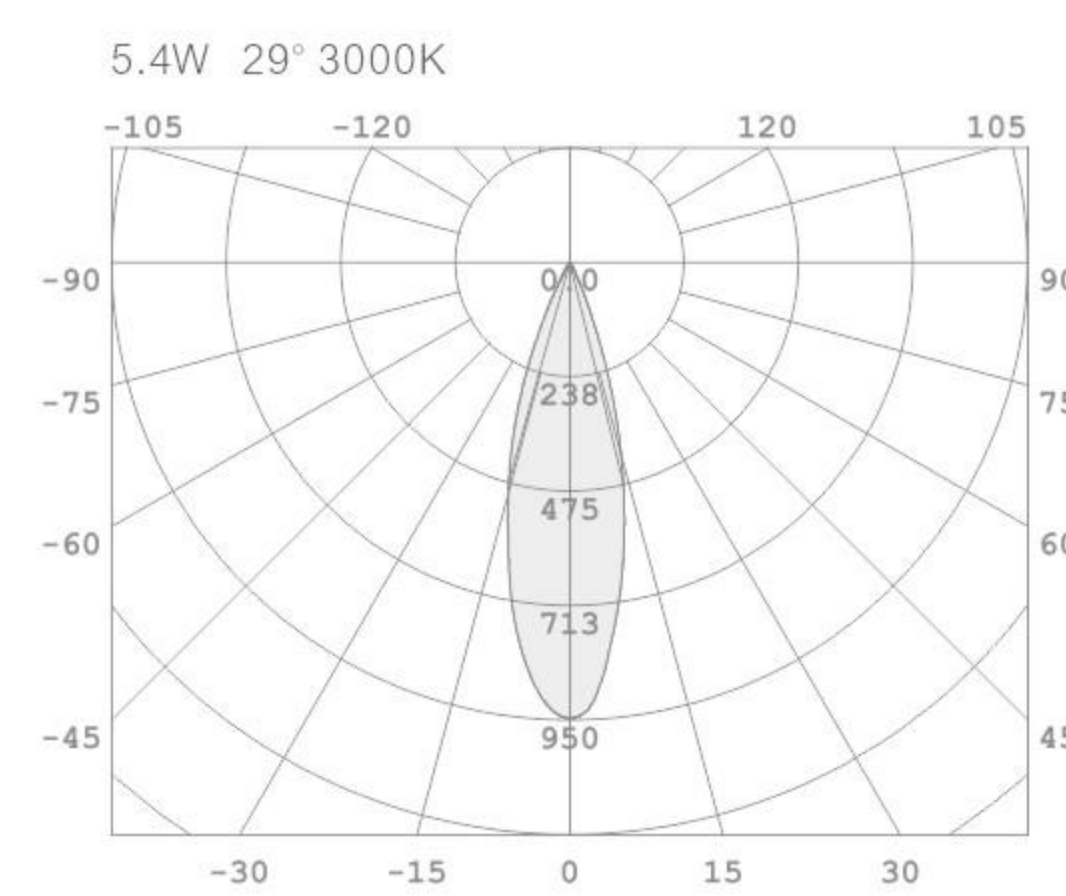
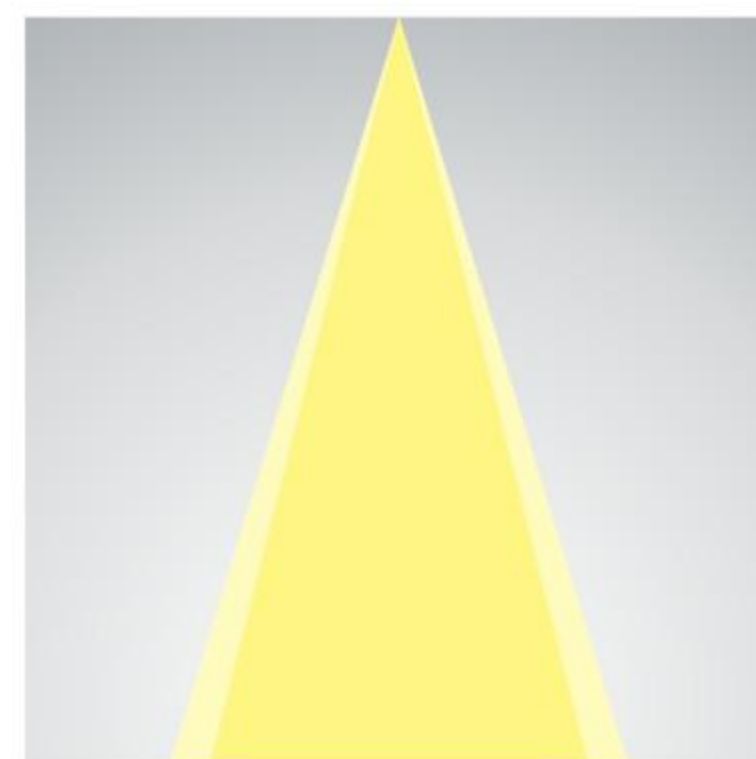
FAST S RO/S TRIMLESS **IP54**  
 LED POWER: 5.4W  
 LUMINAIRE LUMEN: 280Lm/3000K  
 INPUT: 220-240VAC, 50/60Hz  
 CRI: 90  
 DIMENSION: Ø68\*71mm/Ø81.6\*71.2mm  
 HOLE SIZE: Ø60mm/Ø55mm



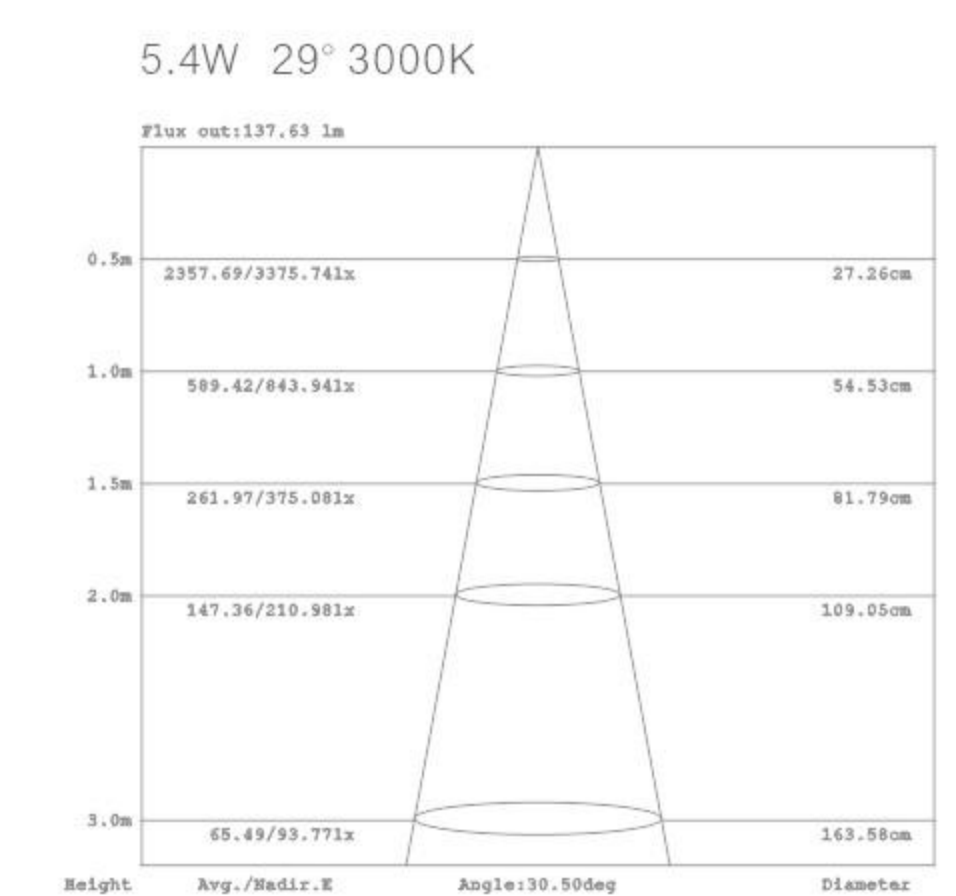
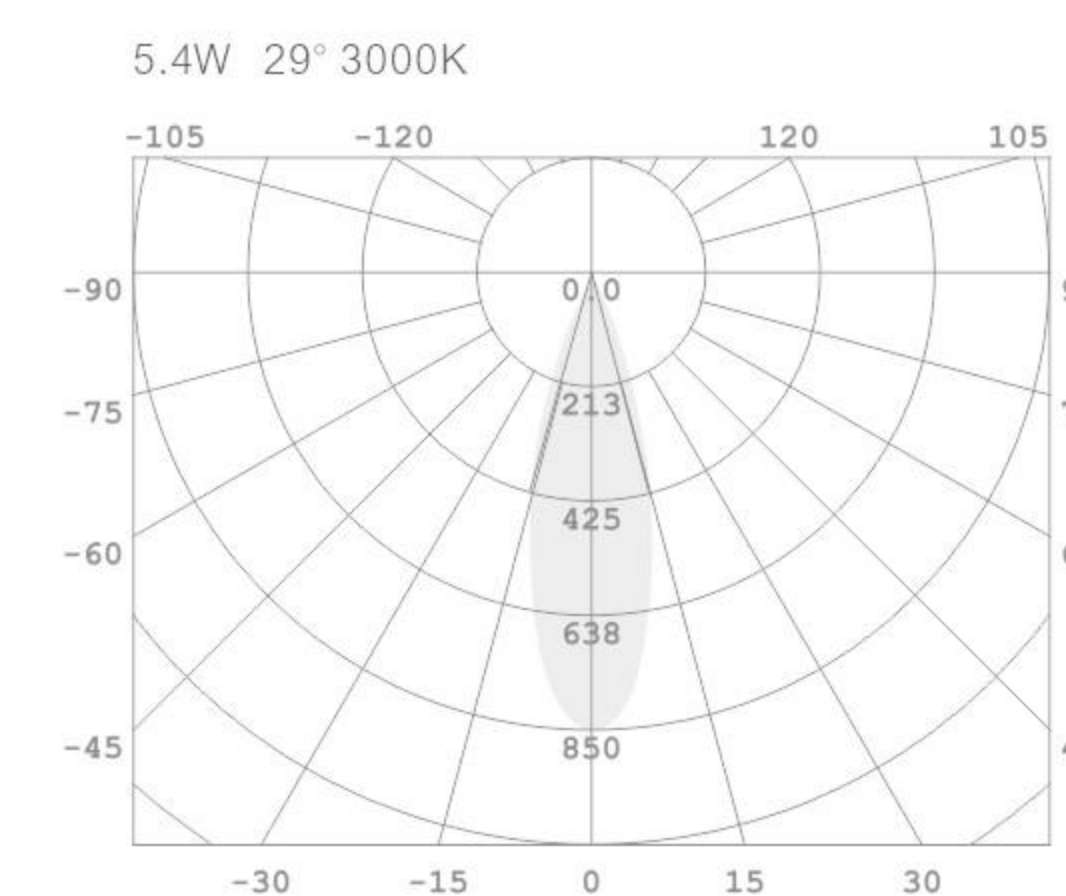
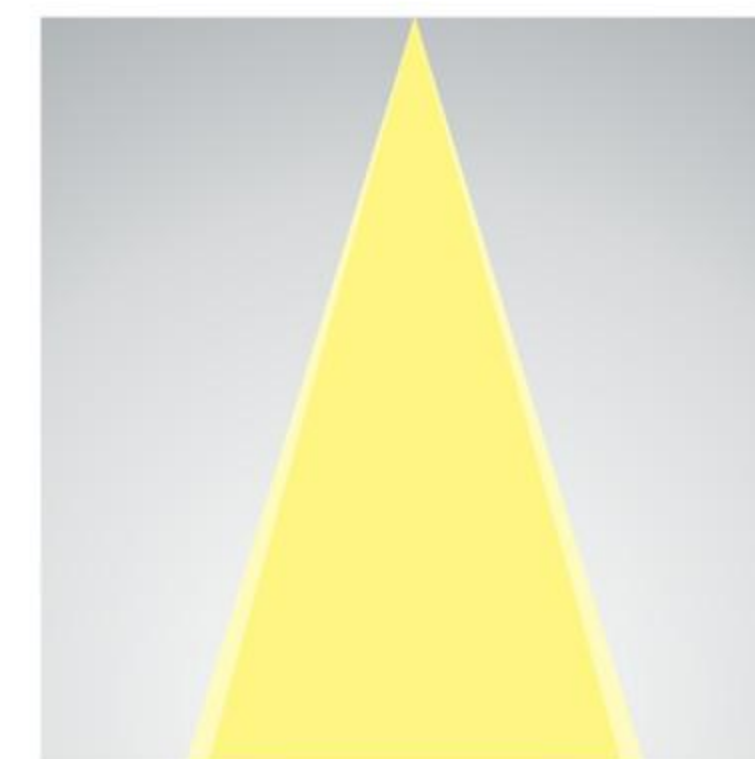
FAST S+ RO **IP54**  
 LED POWER: 7.2W  
 LUMINAIRE LUMEN: 248LM/3000K  
 INPUT: 220-240VAC, 50/60Hz  
 CRI: 90  
 DIMENSION: Ø68\*97mm  
 HOLE SIZE: Ø60mm



ANGLE 29°



ANGLE 31°

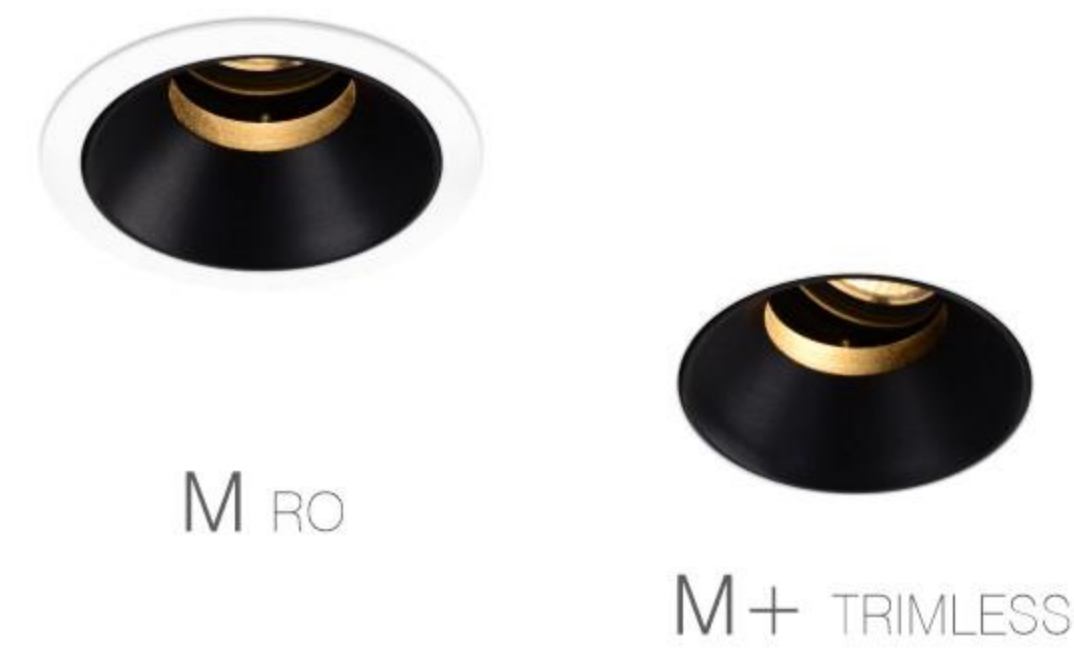


OPTION:

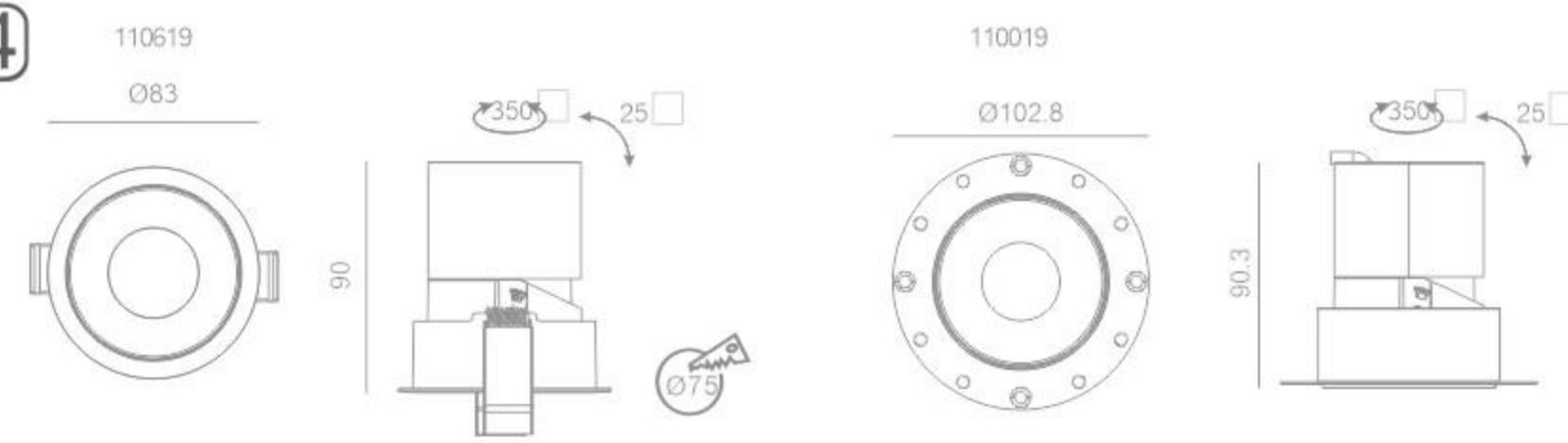
CODE	POWER	COLOR TEMP	BEAN ANGLE	CCT	DRIVER TYPE
101615	6.8W	Sandy Black/Sandy White	29°	2700K/3000K/4000K	DX/DT/DA/APP/ON-OFF
109919	6.8W	Sandy Black/Sandy White	29°	2700K/3000K/4000K	DX/DT/DA/APP/ON-OFF

OPTION:

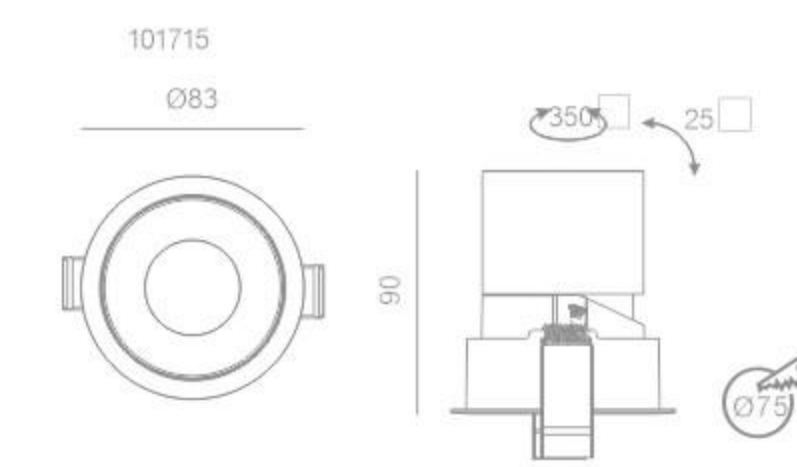
CODE	POWER	COLOR TEMP	BEAN ANGLE	CCT	DRIVER TYPE
110519	10W	Sandy Black/Sandy White	31°	2700K/3000K/4000K	DX/DT/DA/APP/ON-OFF



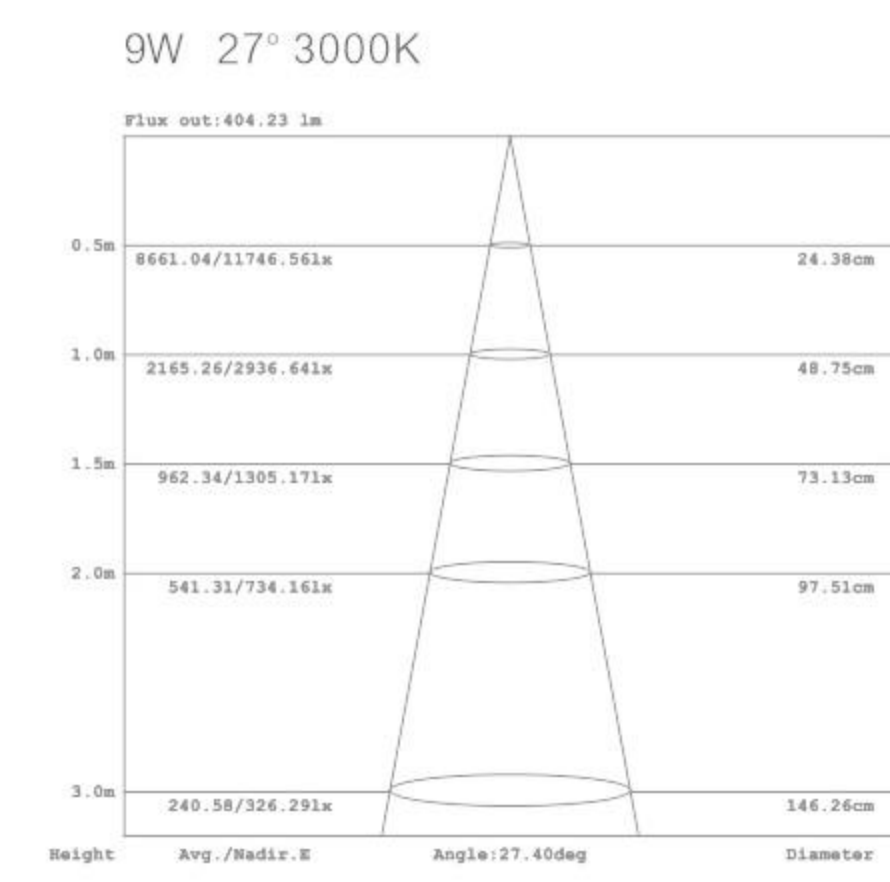
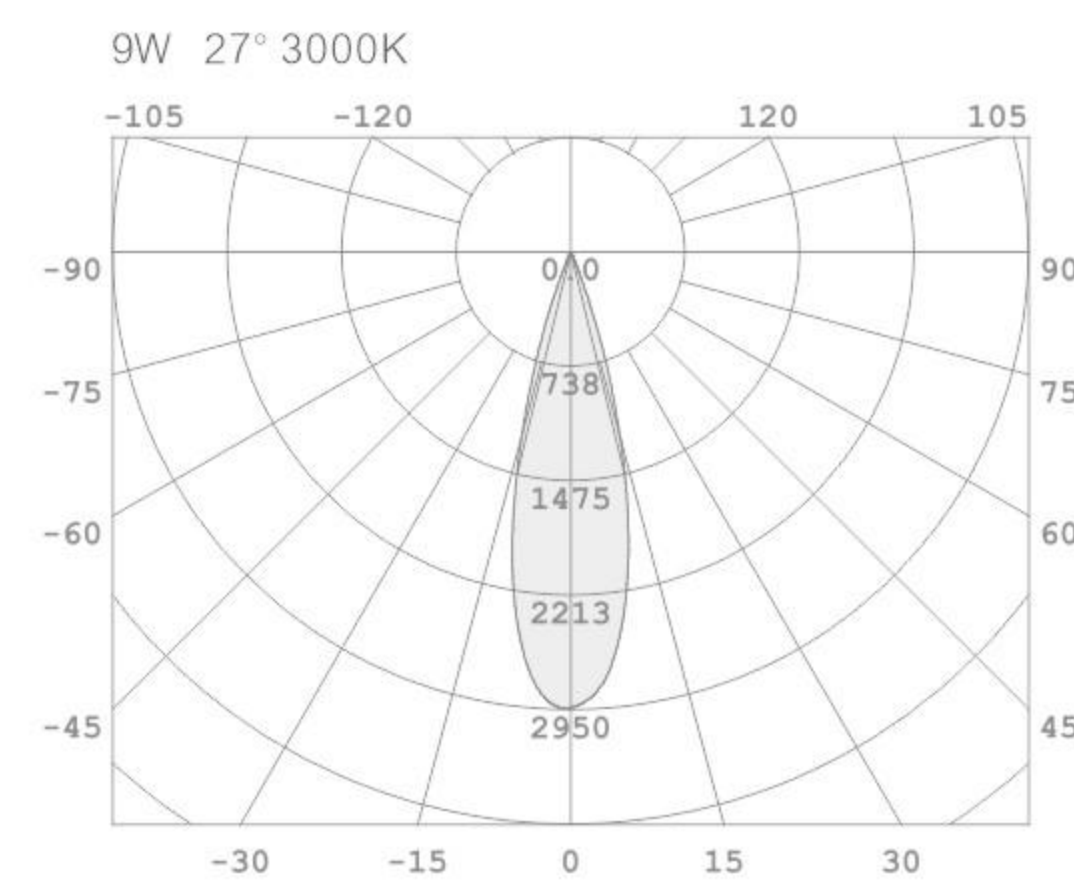
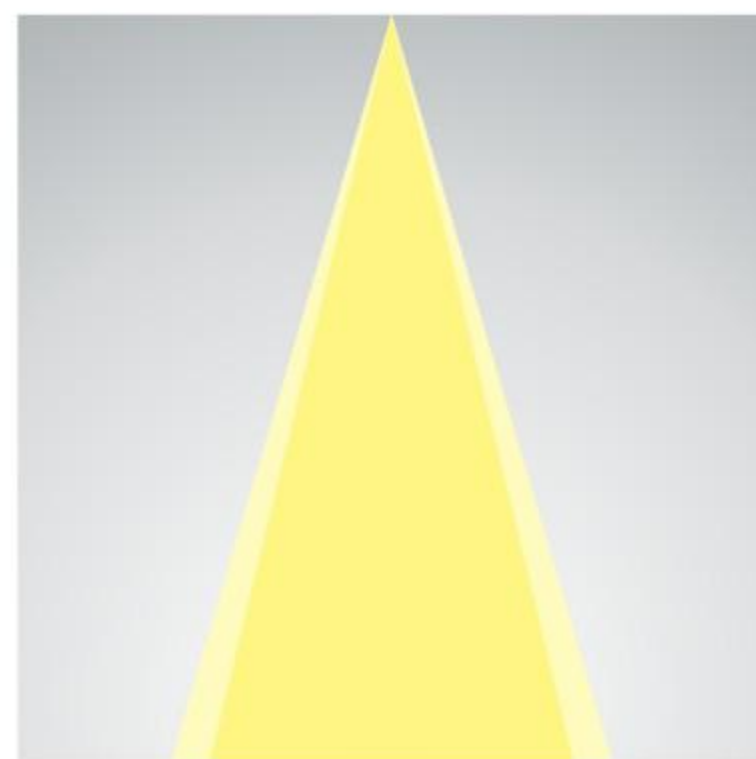
FAST M RO/M+ TRIMLESS    
 LED POWER: 7,2W/9W  
 LUMINAIRE LUMEN: 369LM/1040LM/3000K  
 INPUT: 100-240VAC,50/60Hz  
 CRI: 90  
 DIMENSION: Ø83\*90mm/Ø102.8\*90.3mm  
 HOLE SIZE: Ø75mm/Ø75mm



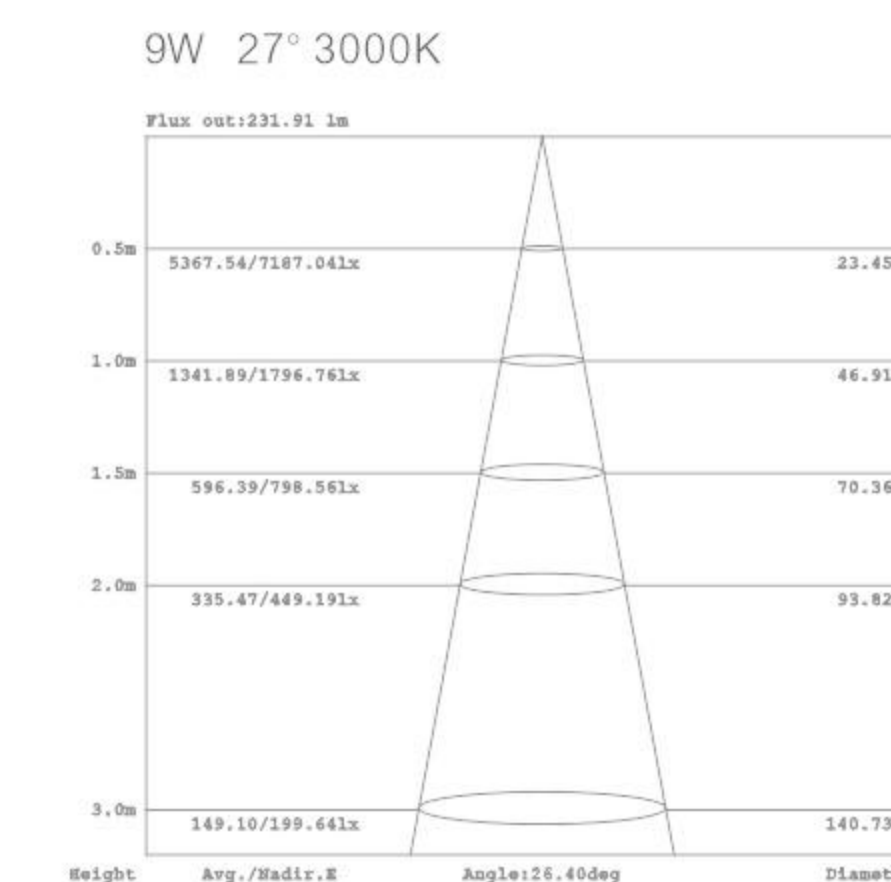
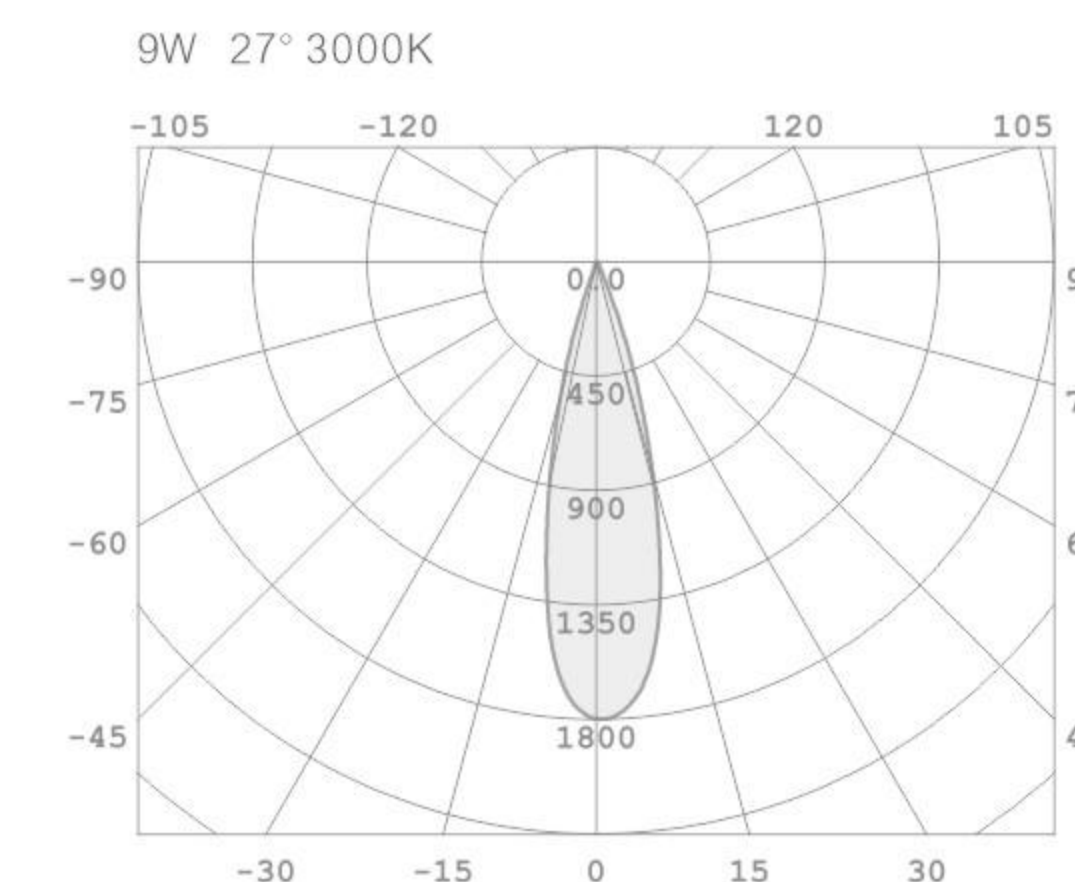
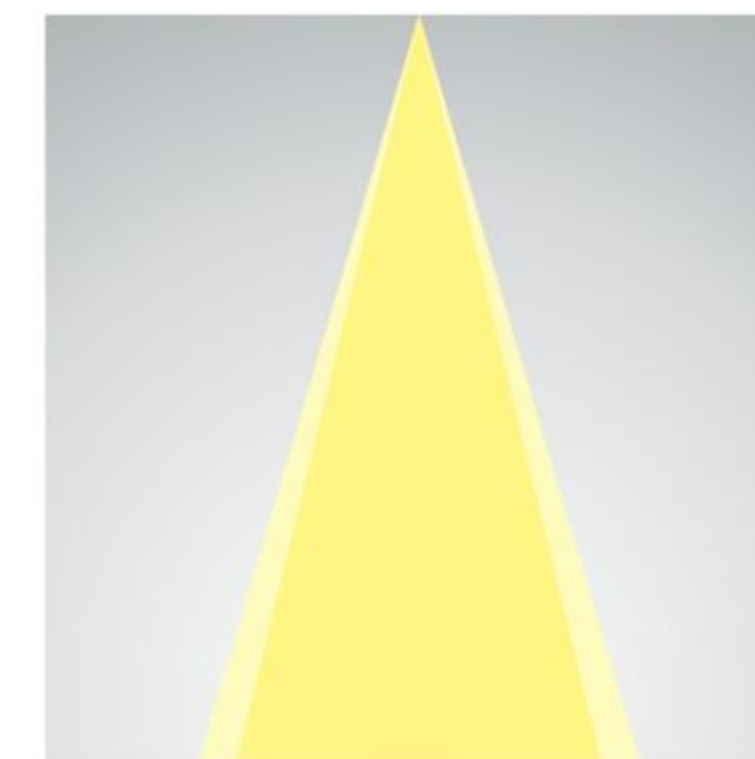
FAST M+ RO    
 LED POWER: 9W  
 LUMINAIRE LUMEN: 620LM/3000K  
 INPUT: 220-240VAC,50/60Hz  
 CRI: 90  
 DIMENSION: Ø83\*90mm  
 HOLE SIZE: Ø75mm



ANGLE 27° 



ANGLE 27° 



OPTION:

CODE	POWER	COLOR TEMP	BEAN ANGLE	CCT	DRIVER TYPE
110619	10W	Sandy Black/Sandy White	27°	2700K/3000K/4000K	DX/DT/DA/APP/ON-OFF
110019	12W	Sandy Black/Sandy White	20°/27°/33°	2700K/3000K/4000K	DX/DT/DA/APP/ON-OFF

OPTION:

CODE	POWER	COLOR TEMP	BEAN ANGLE	CCT	DRIVER TYPE
101715	12W	Sandy Black/Sandy White	20°,27°,33°	2700K/3000K/3500K/4000K	DX/DT/DA/APP/ON-OFF



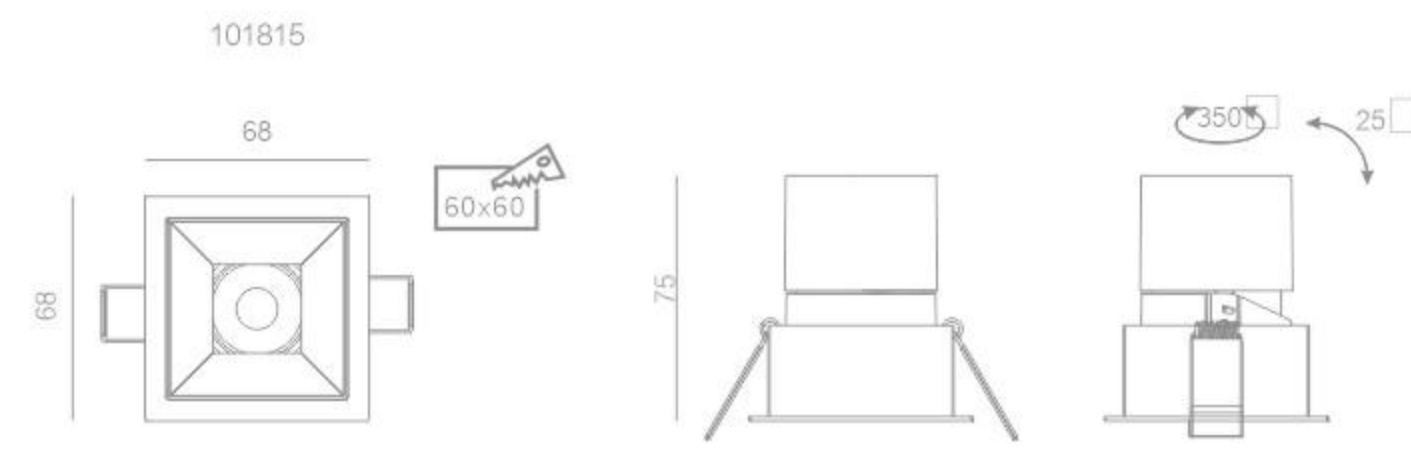
S SQ



M+ SQ

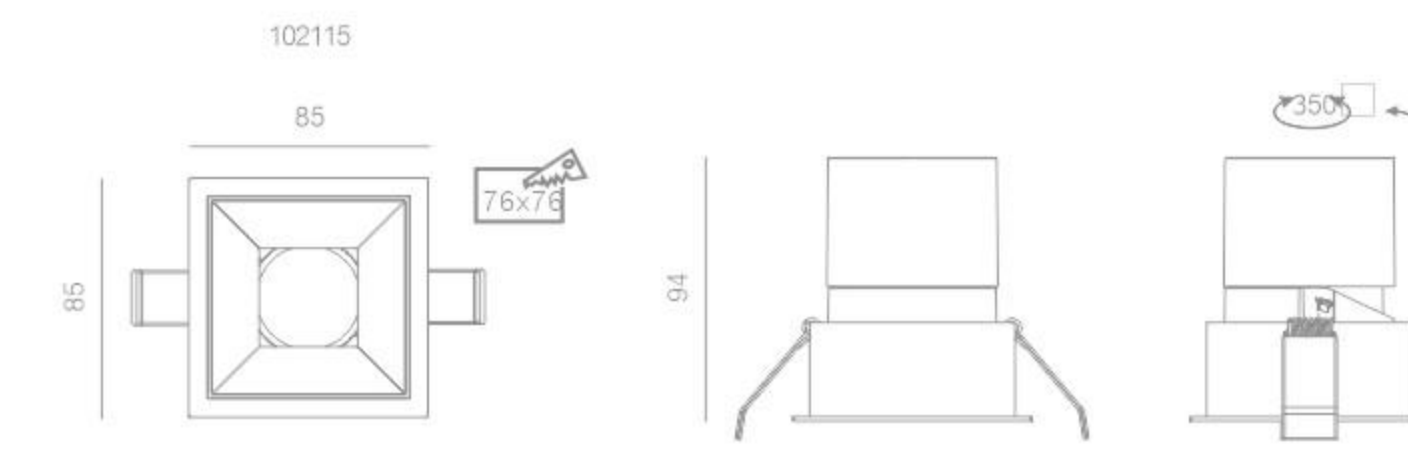
FAST S SQ IP54

LED POWER: 5.4W  
LUMINAIRE LUMEN: 254LM/3000K  
INPUT: 100-240VAC, 50/60Hz  
CRI: 90  
DIMENSION: 68\*68\*75mm  
HOLE SIZE: 60\*60mm

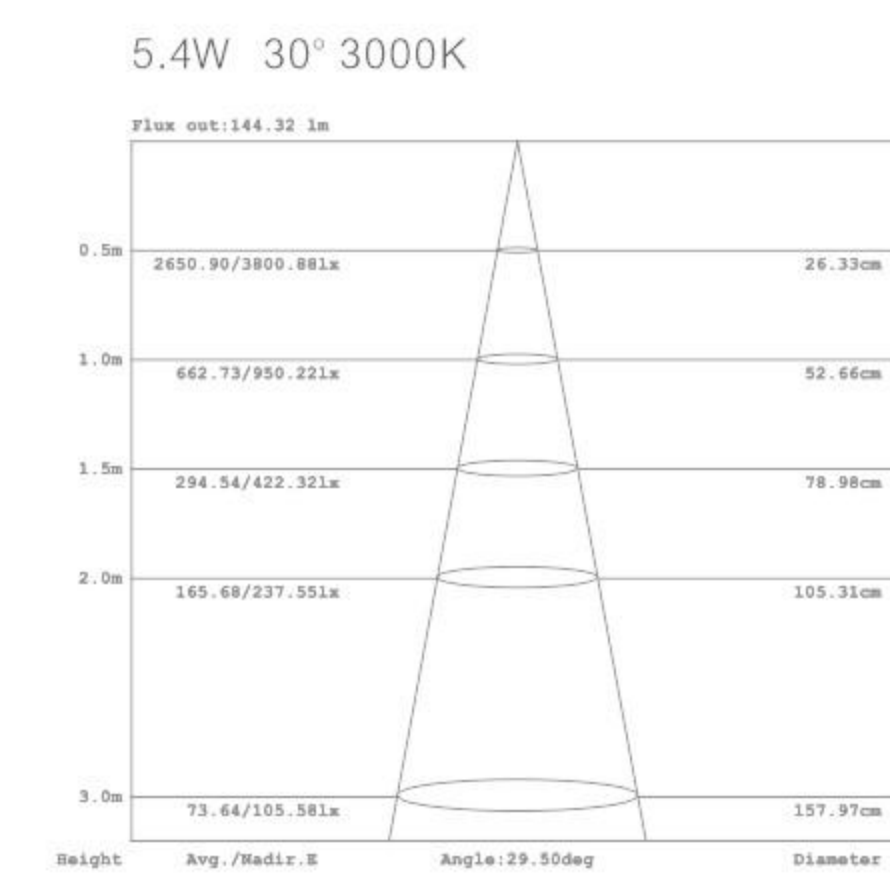
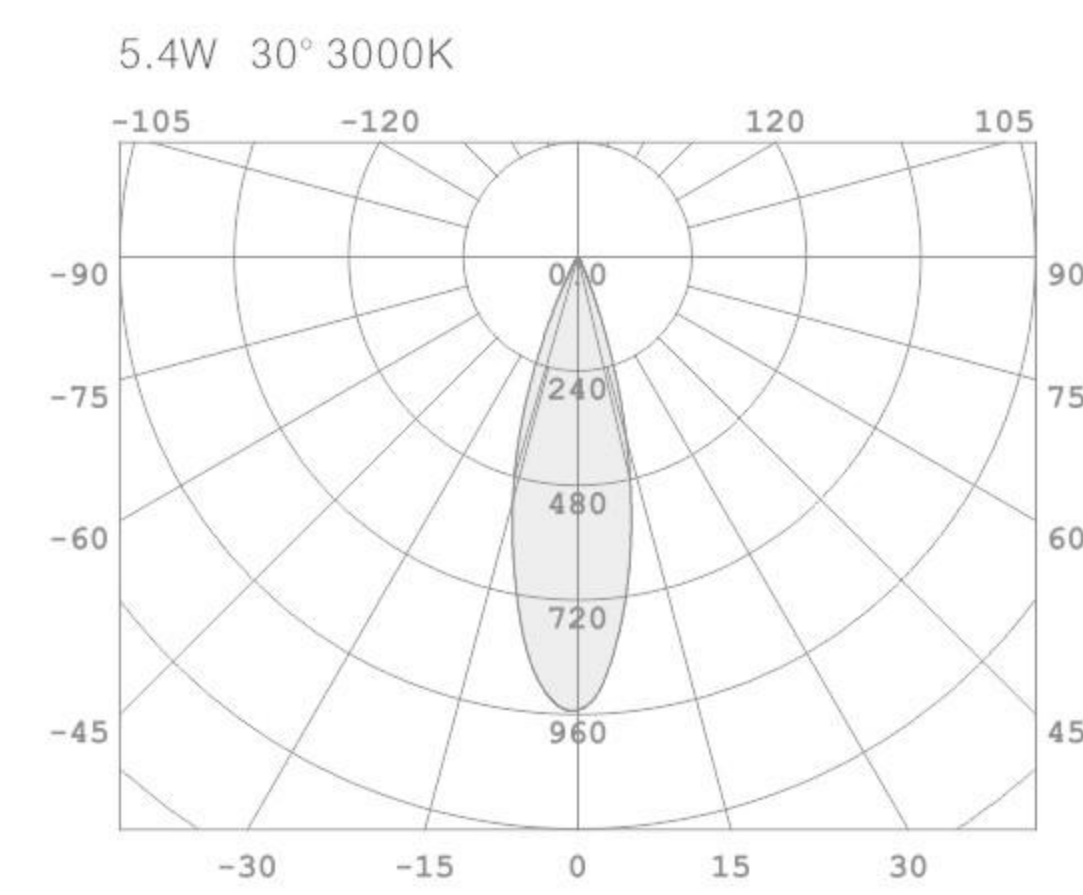
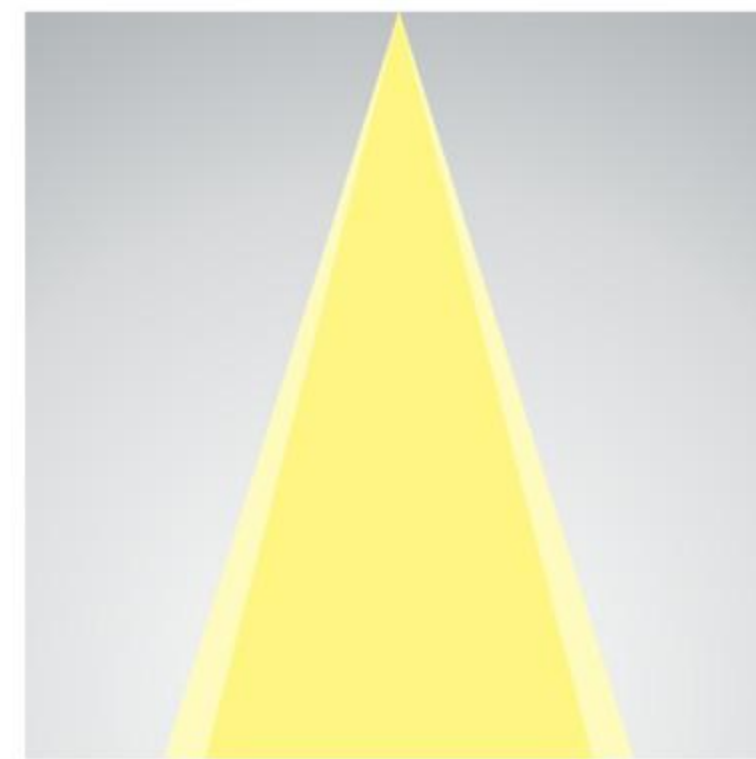


FAST M+ SQ IP54

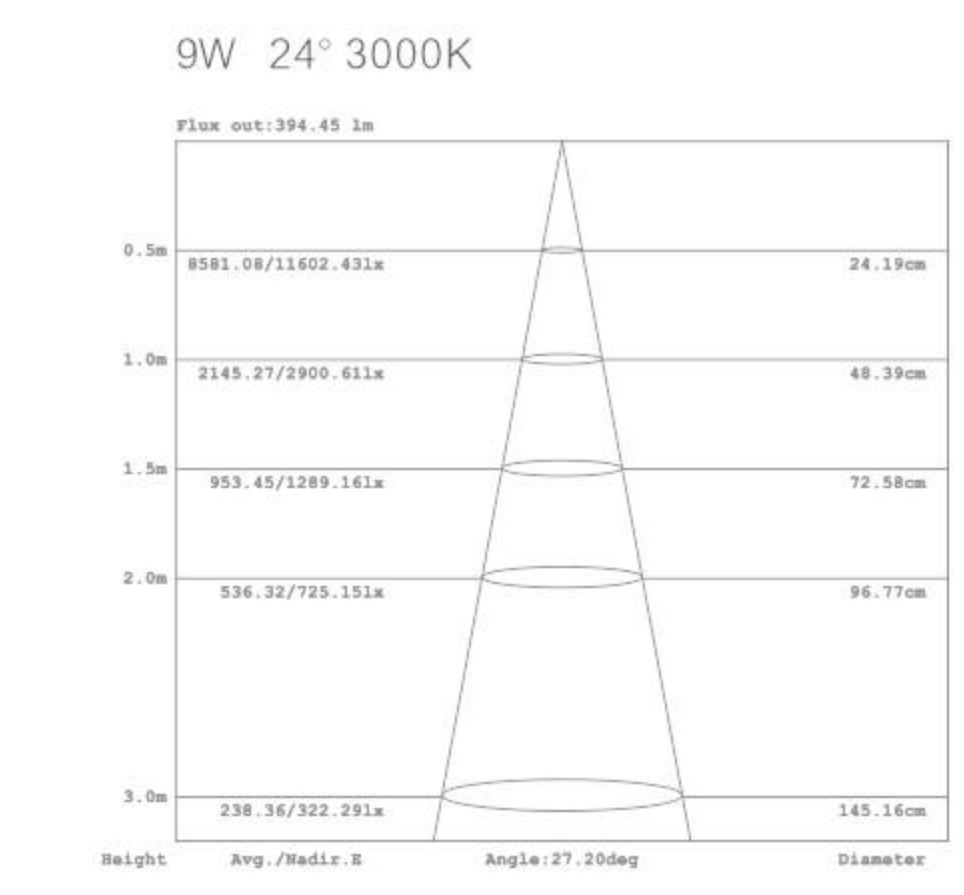
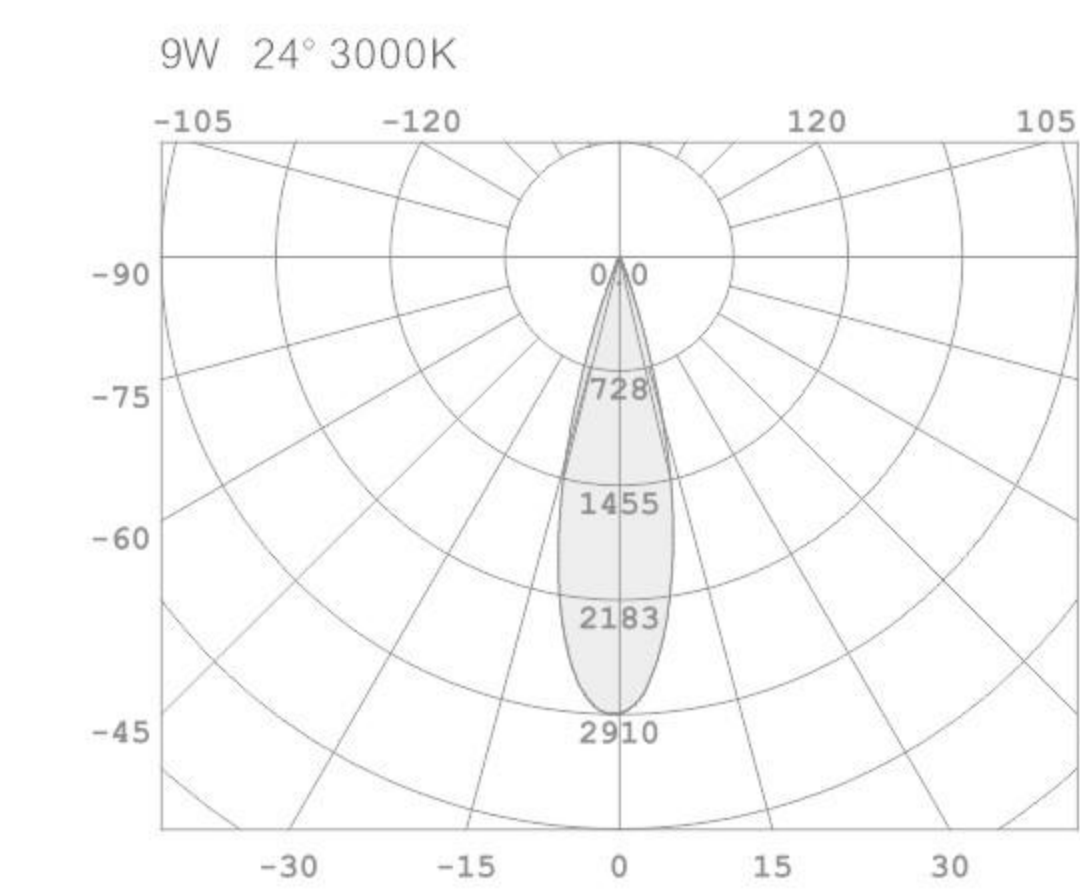
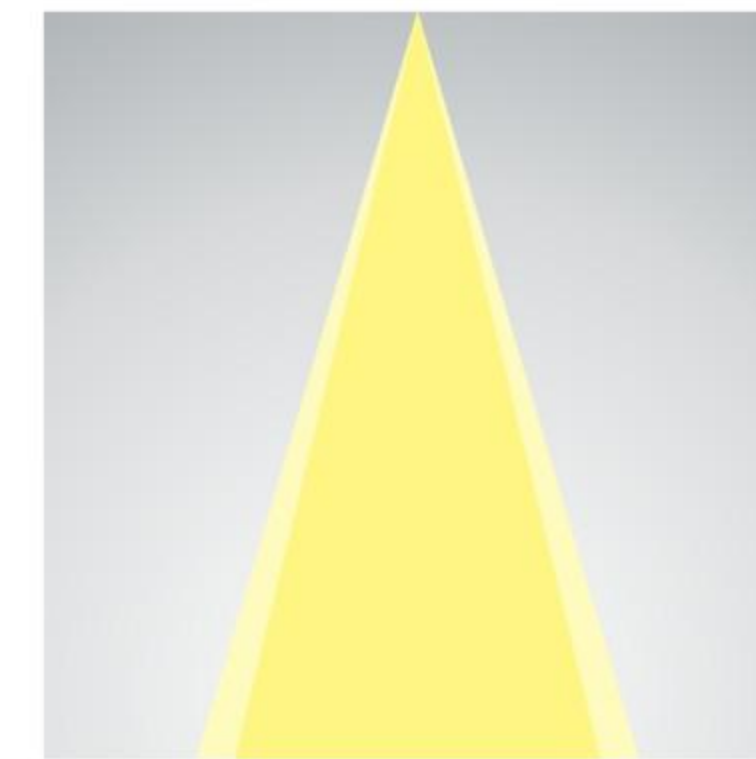
LED POWER: 9W  
LUMINAIRE LUMEN: 600LM/3000K  
INPUT: 220-240VAC, 50/60Hz  
CRI: 90  
DIMENSION: 85\*85\*94mm  
HOLE SIZE: 75\*75mm



ANGLE 30°



ANGLE 27°

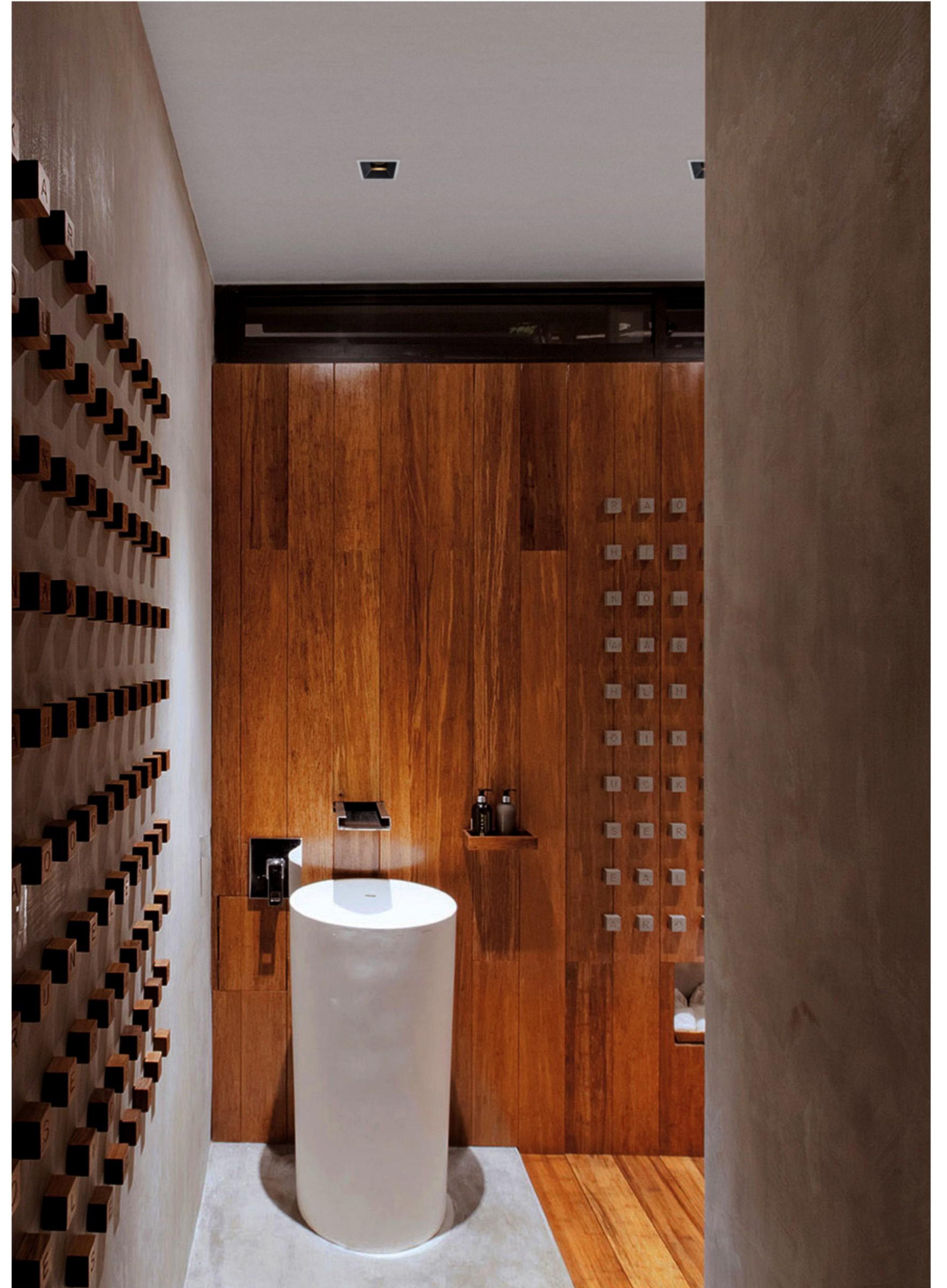


OPTION:

CODE	POWER	COLOR TEMP	BEAN ANGLE	CCT	DRIVER TYPE
101815	6.8W	Sandy Black/Sandy White	30°	2700K/3000K/4000K	DT/DA/APP/ON/OFF

OPTION:

CODE	POWER	COLOR TEMP	BEAN ANGLE	CCT	DRIVER TYPE
102115	12W	Sandy Black/Sandy White	19°/27°	2700K/3000K/3500K/4000K	DX/DT/DA/APP/ON/OFF







# VIKA

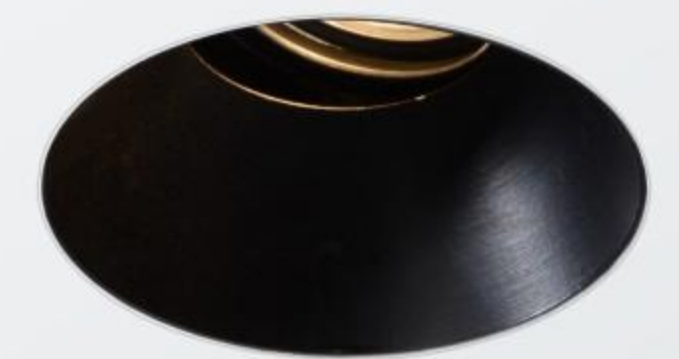
With anti-glare design,  
VIKA take you into a lighting world full of gentleness.  
Certified with IP54,

It's capable of most interior lighting demands.  
And both round and square version are at your service.  
You may also design your own square VIKA combo from bachelor to twins,  
and to three "musketees".

CCC CE IP54 220-240VAC DM TRAC DM 1 TOV DALI



M RO



M TRIMLESS



S RO



S RO



S TRIMLESS



S+ RO

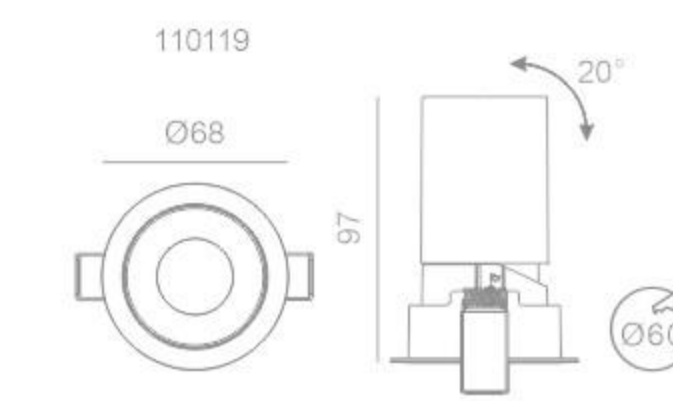
VIKA S RO/S TRIMLESS IP54

LED POWER: 5.4W  
LUMINAIRE LUMEN: 344LM/3000K  
INPUT: 220-240VAC,50/60HZ  
CRI: 90  
DIMENSION: Ø68\*71mm/Ø81.6\*71.2mm  
HOLE SIZE: Ø60mm/Ø55mm

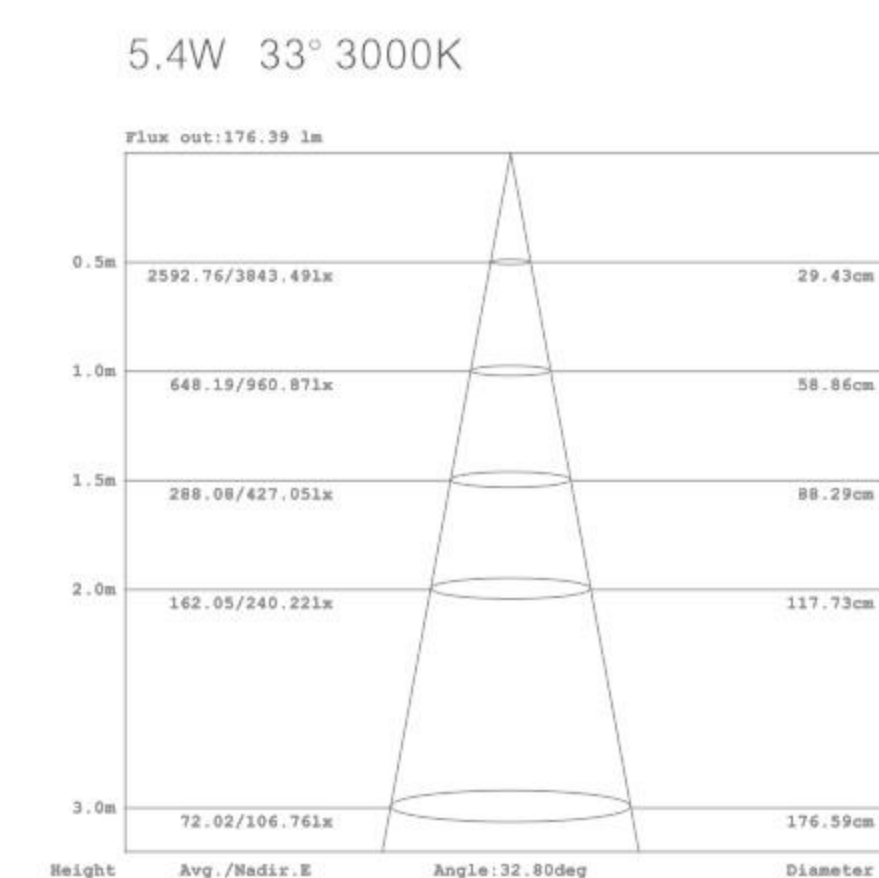
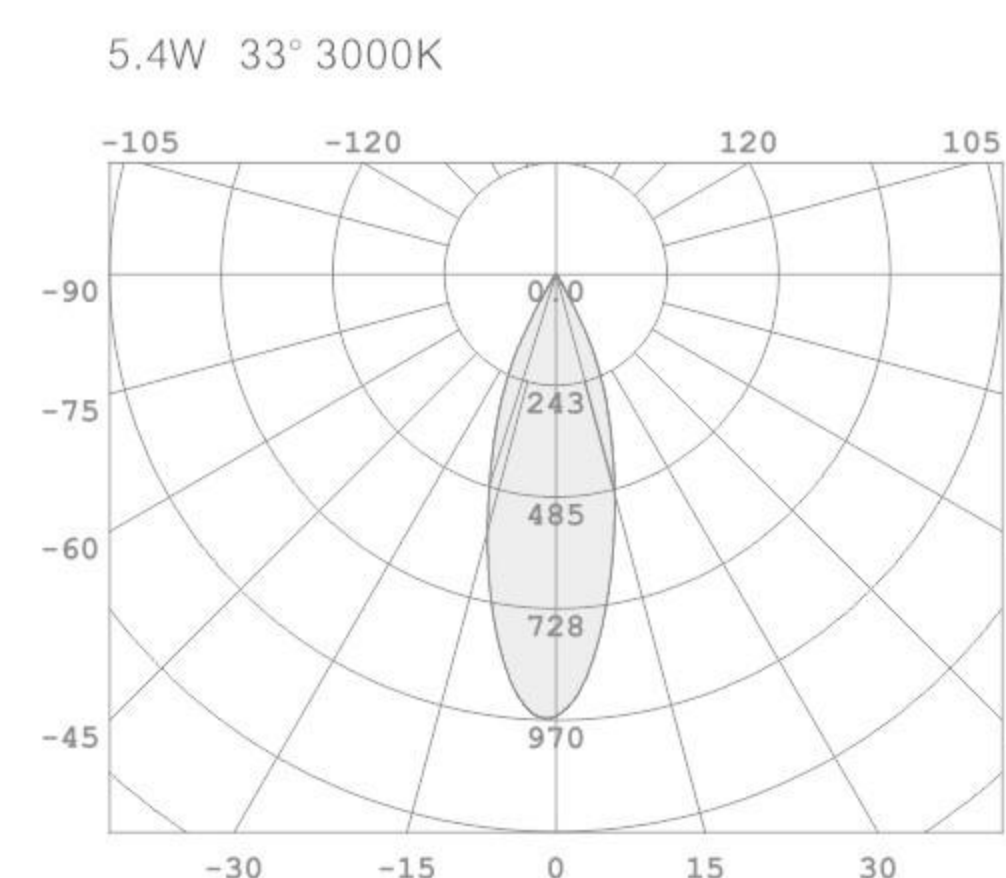
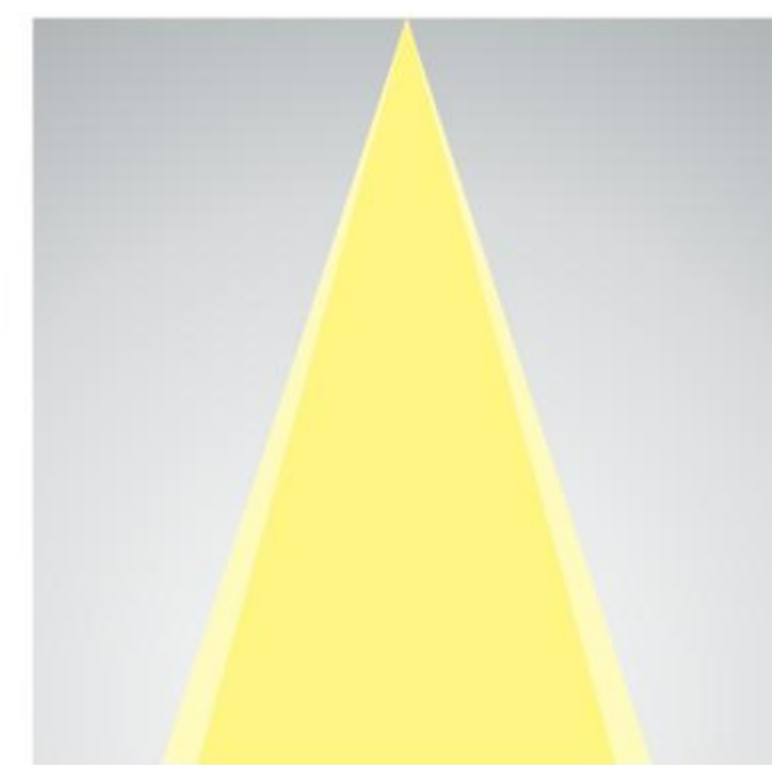


VIKA S+ RO IP54

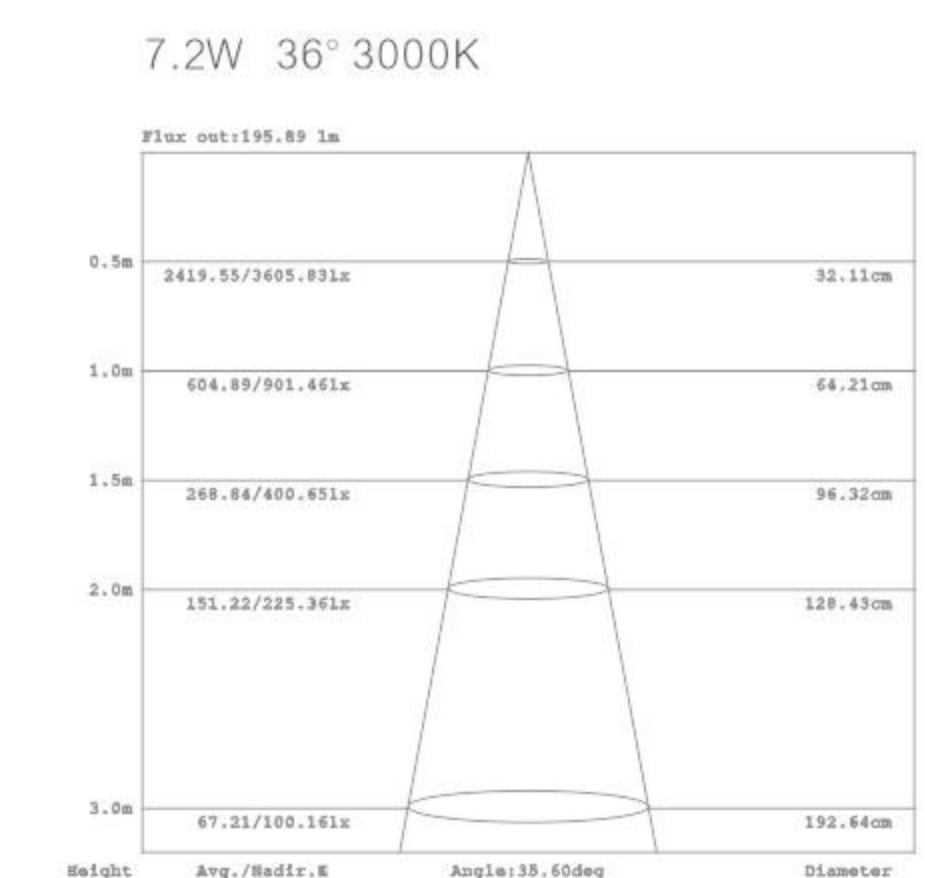
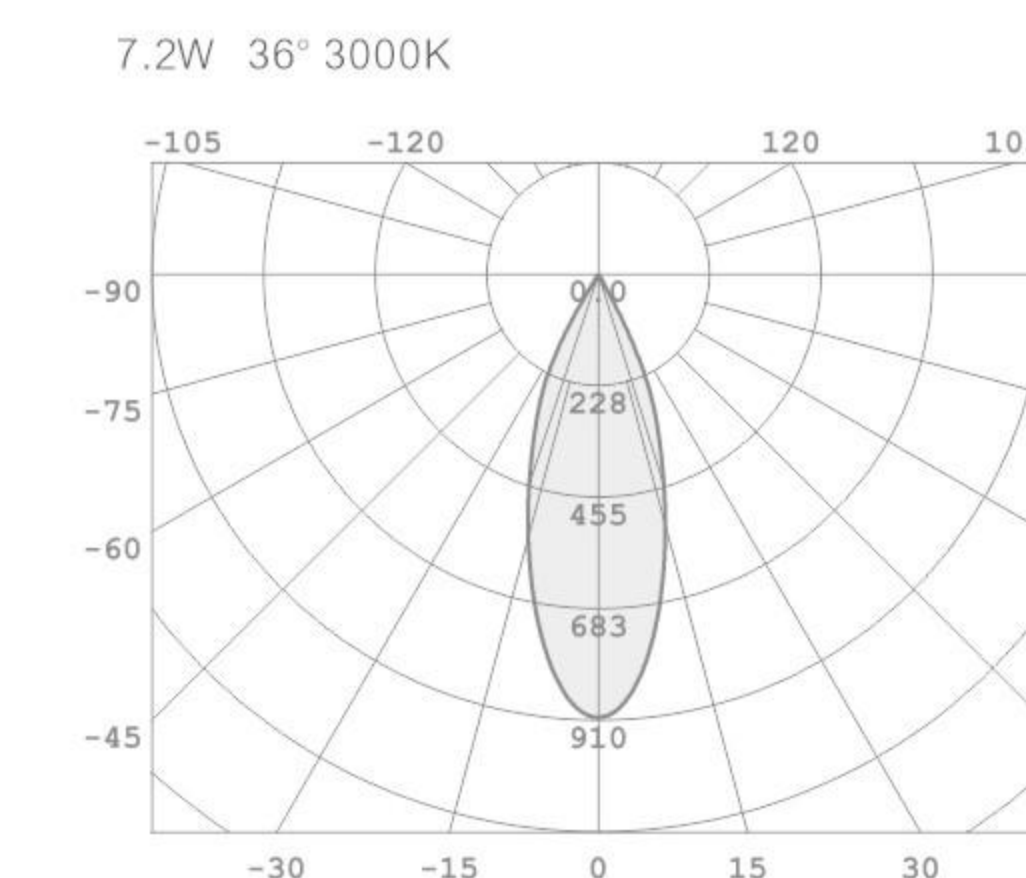
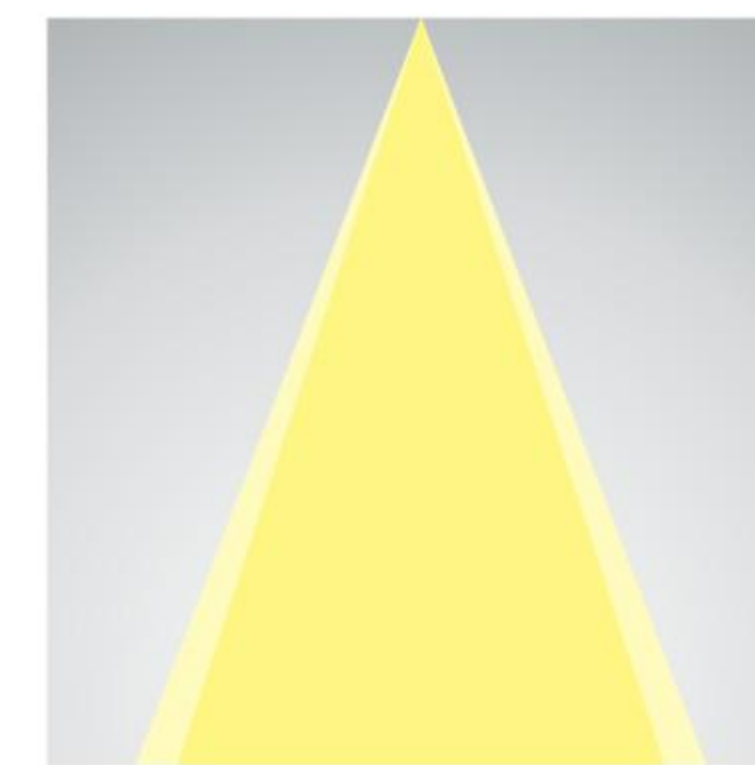
LED POWER: 7.2W  
LUMINAIRE LUMEN: 350LM/3000K  
INPUT: 100-240VAC,50/60HZ  
CRI: 90  
DIMENSION: Ø68\*97mm  
HOLE SIZE: Ø60mm



ANGLE 33°



ANGLE 36°



OPTION:

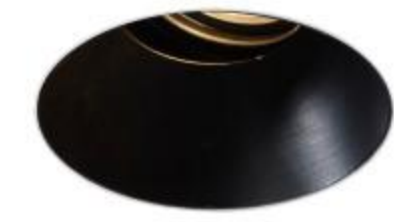
CODE	POWER	COLOR TEMP	BEAN ANGLE	CCT	DRIVER TYPE
102215	6.8W	Sandy Black/Sandy White	33°	2700/3000/3500/4000	DX/DT/DA/APP/ON-OFF
109719	6.8W	Sandy Black/Sandy White	33°	2700/3000/3500/4000	DX/DT/DA/APP/ON-OFF

OPTION:

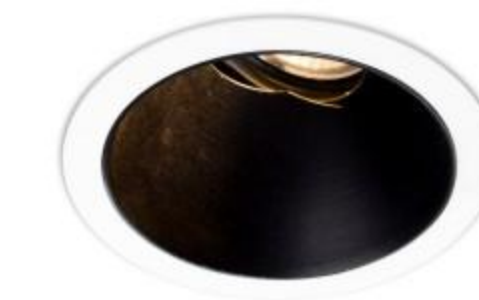
CODE	POWER	COLOR TEMP	BEAN ANGLE	CCT	DRIVER TYPE
110119	10W	Sandy Black/Sandy White	36°	2700/3000/3500/4000	DX/DT/DA/APP



M+ RO

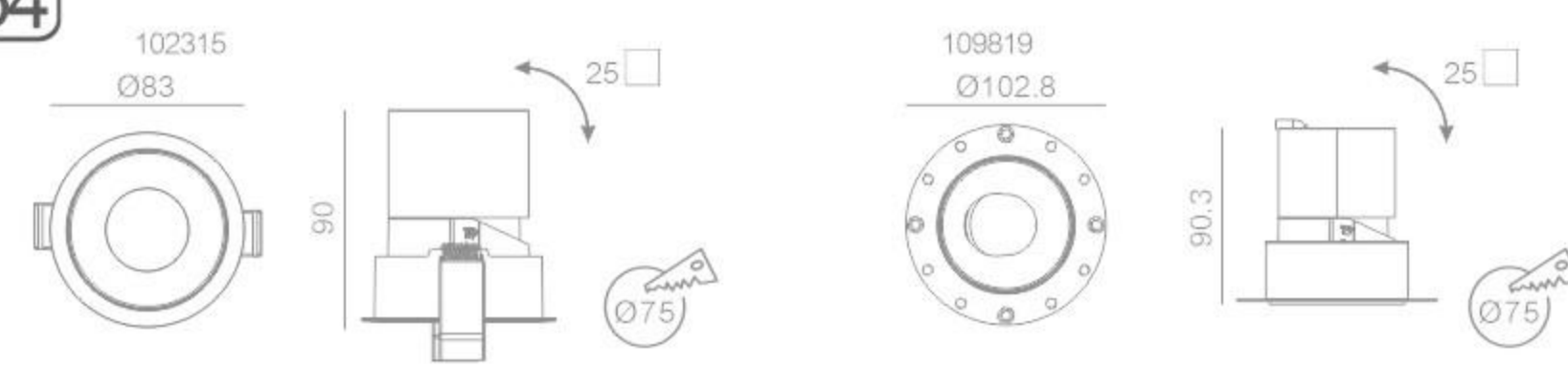


M+ TRIMLESS



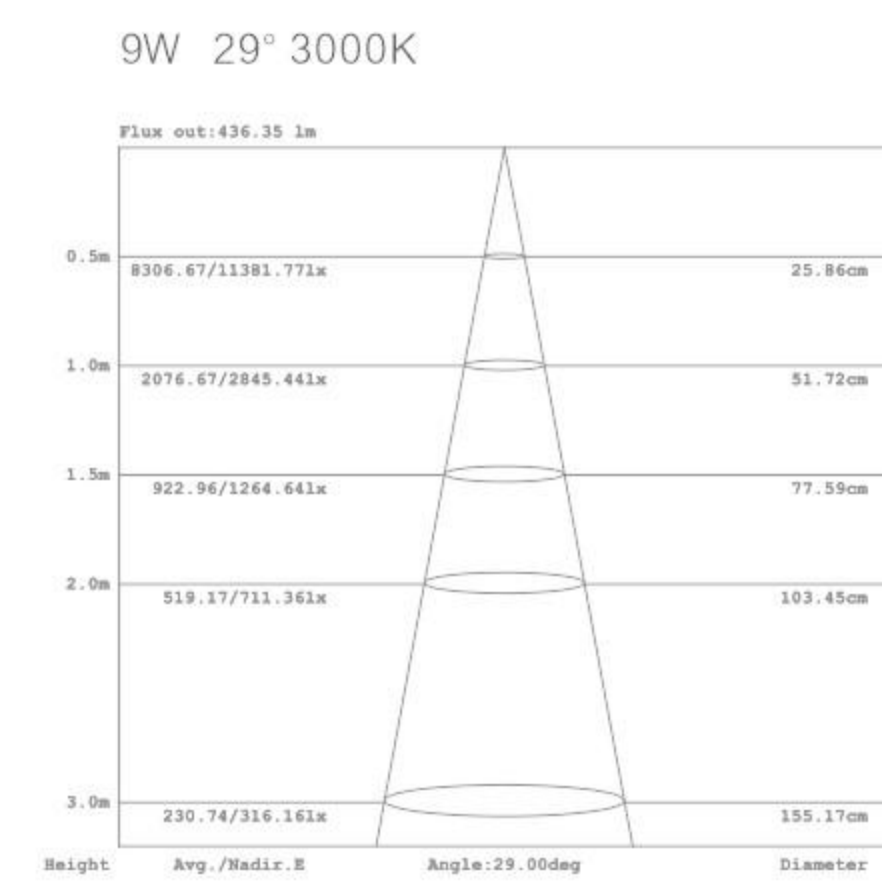
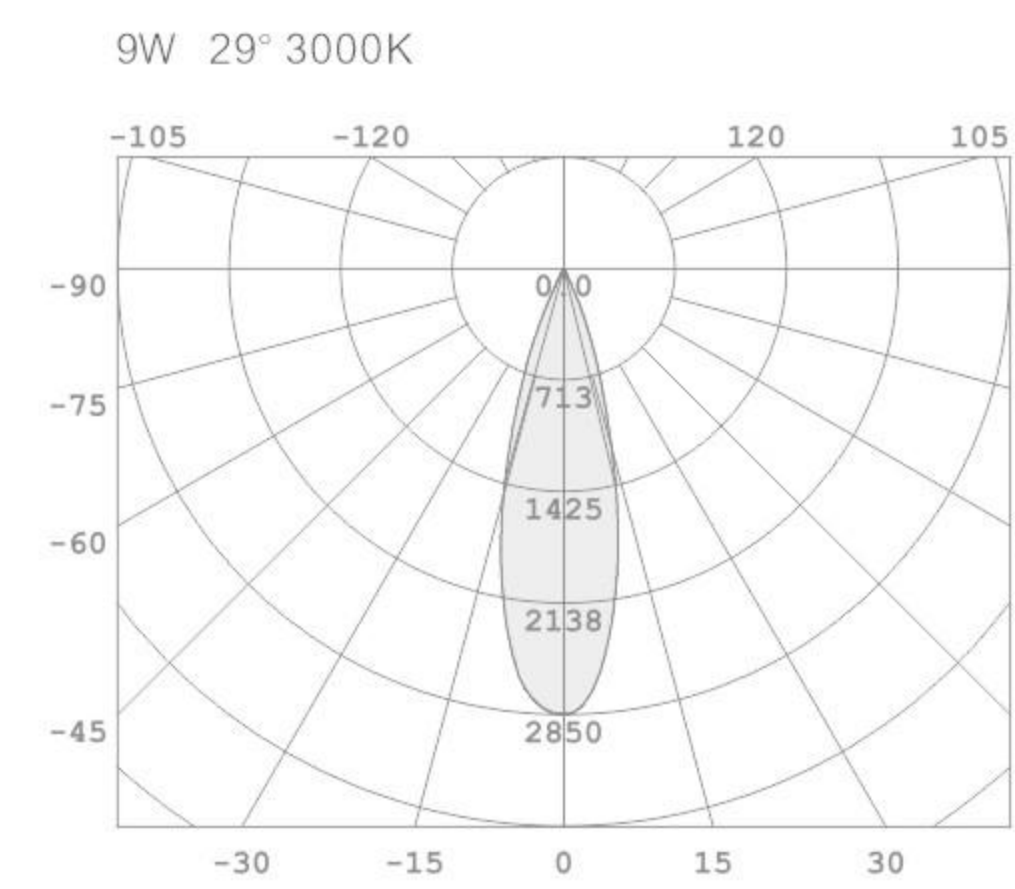
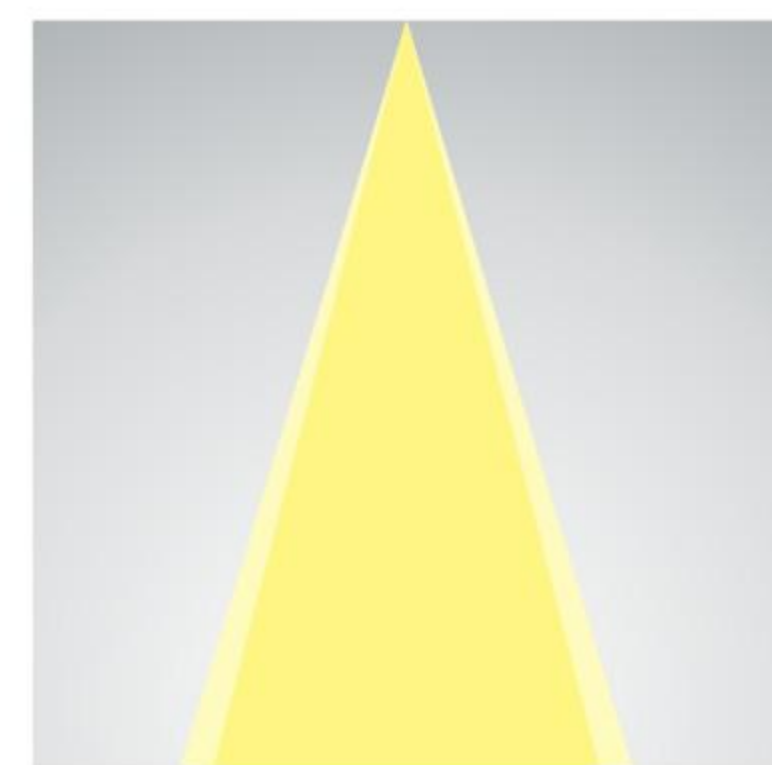
M RO

VIKA M+ RO/M+ TRIMLESS **(IP54)**  
 LED POWER: 9W  
 LUMINAIRE LUMEN: 720LM/3000K  
 INPUT: 100-240VAC,50/60Hz  
 CRI: 90  
 DIMENSION: Ø83\*90mm/Ø102.8\*90.3mm  
 HOLE SIZE: Ø75\*75mm

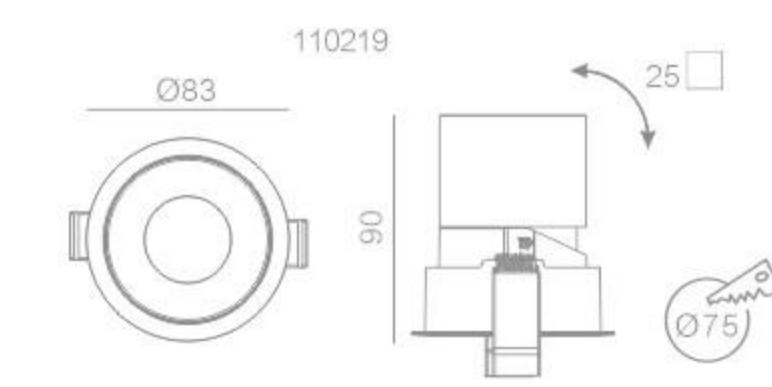


LUMINAIRE LUMEN

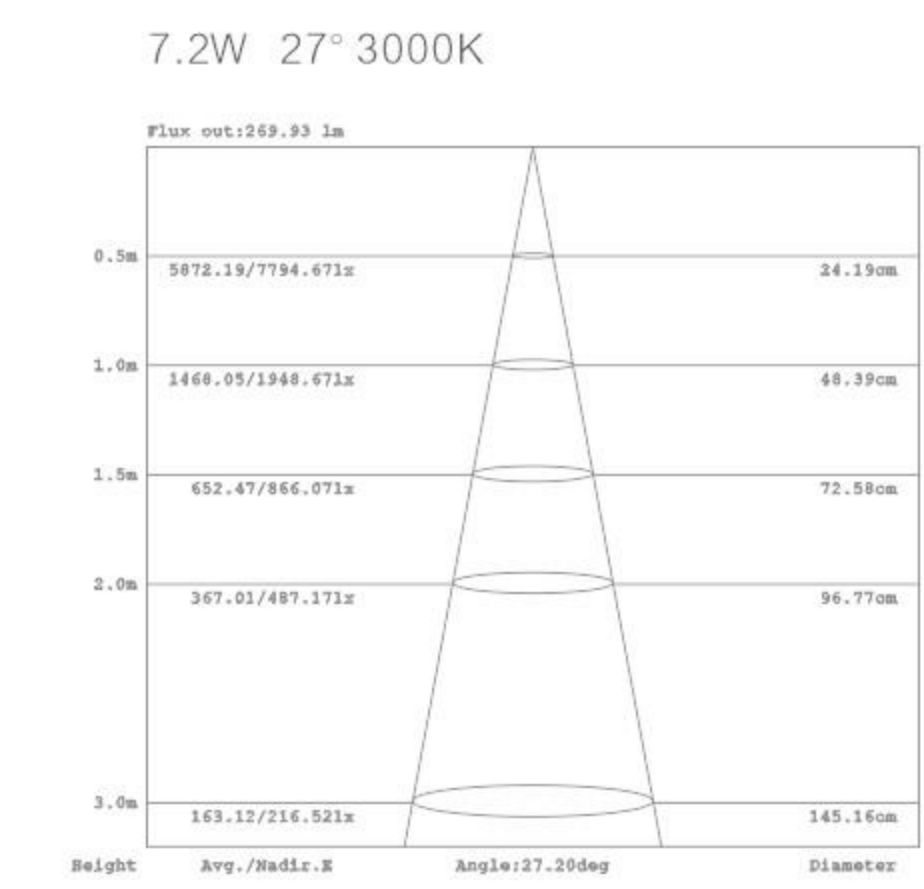
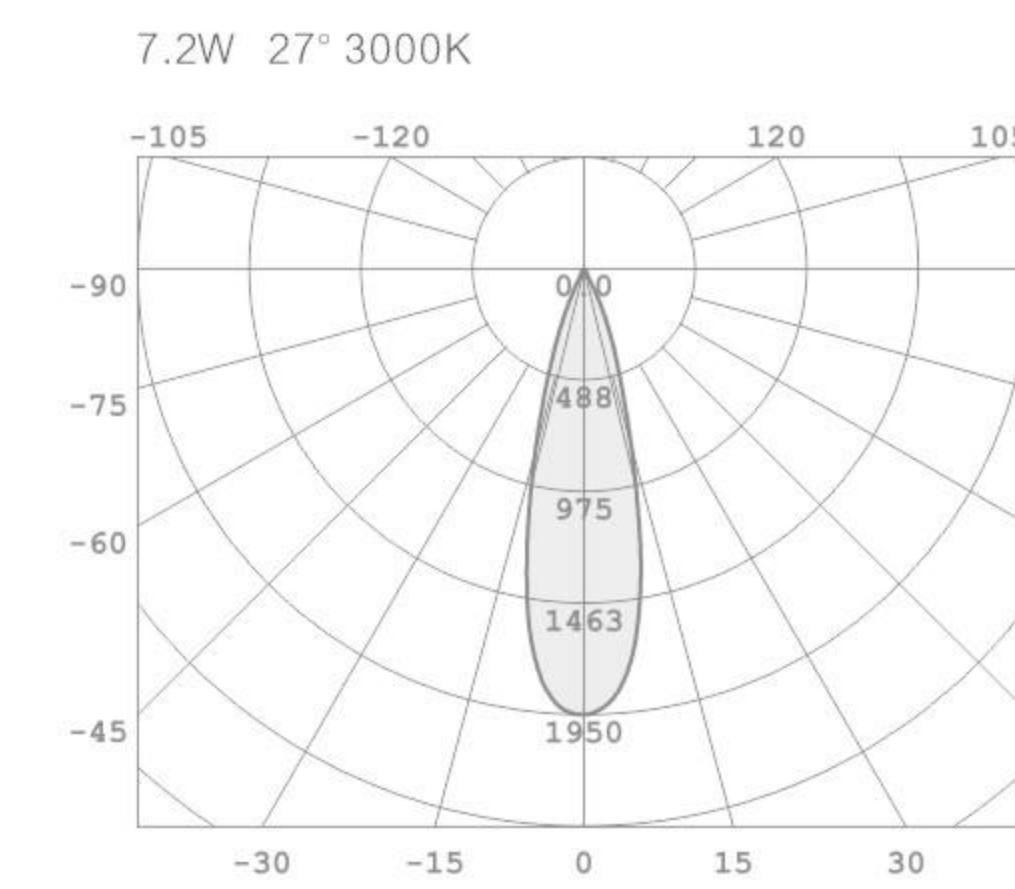
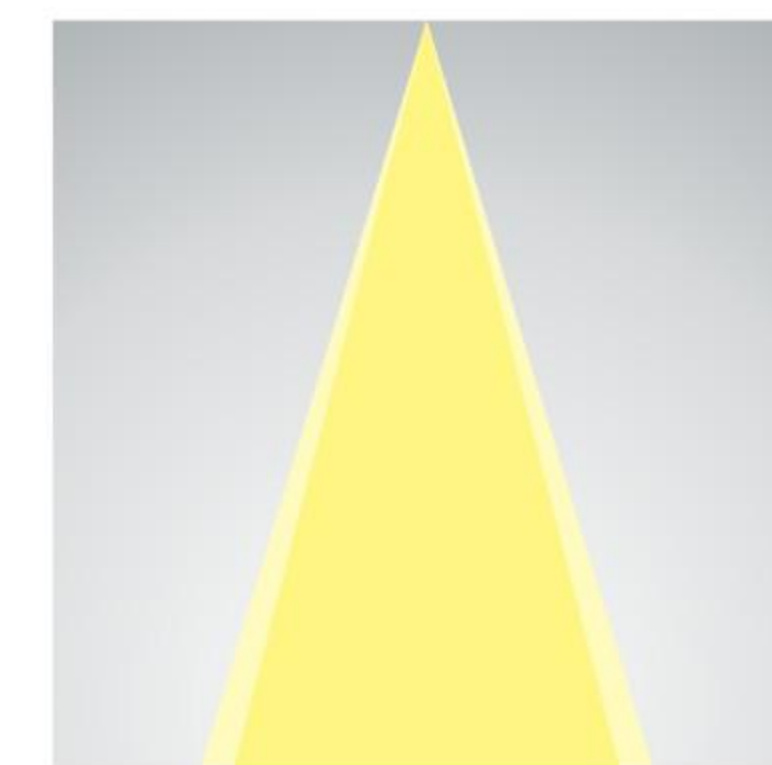
ANGLE 29°



VIKA M RO **(IP54)**  
 LED POWER: 7.2W  
 LUMINAIRE LUMEN: 470LM/3000K  
 INPUT: 220-240VAC,50/60Hz  
 CRI: 90  
 DIMENSION: Ø83\*90mm  
 HOLE SIZE: Ø75mm



ANGLE 27°

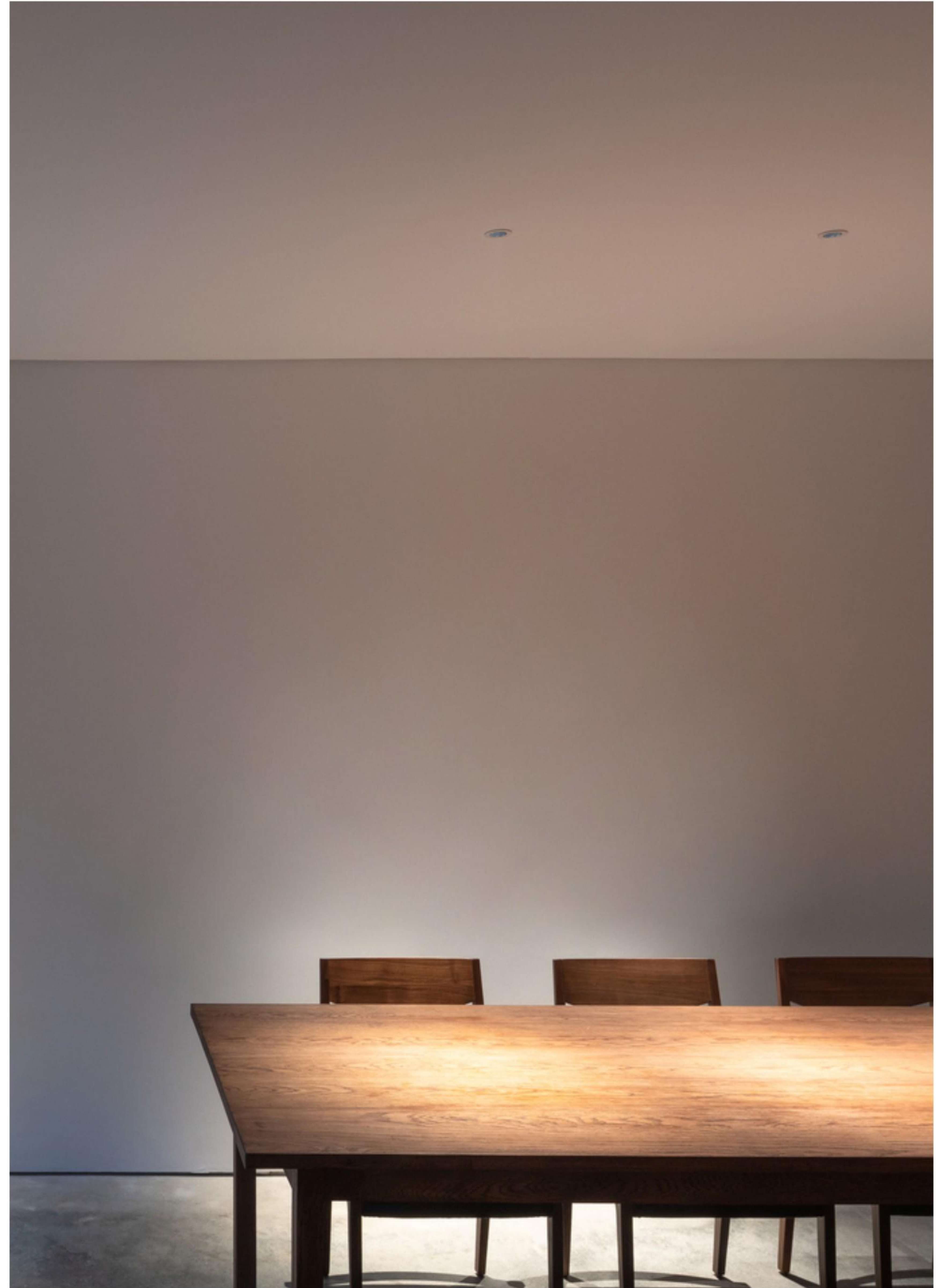


OPTION:

CODE	POWER	COLOR TEMP	BEAN ANGLE	CCT	DRIVER TYPE
102315	12W	Sandy Black/Sandy White	29°/21°/35°	2700/3000/3500/4000/5000K	DX/DT/DA/APP/ON-OFF
109819	12W	Sandy Black/Sandy White	29°/21°/35°	2700/3000/3500/4000/5000K	DX/DT/DA/APP/ON-OFF

OPTION:

CODE	POWER	COLOR TEMP	BEAN ANGLE	CCT	DRIVER TYPE
110219	10W	Sandy Black/Sandy White	20°/27°/37°	2700/3000/3500/4000/5000K	DX/DT/DA/APP/ON-OFF



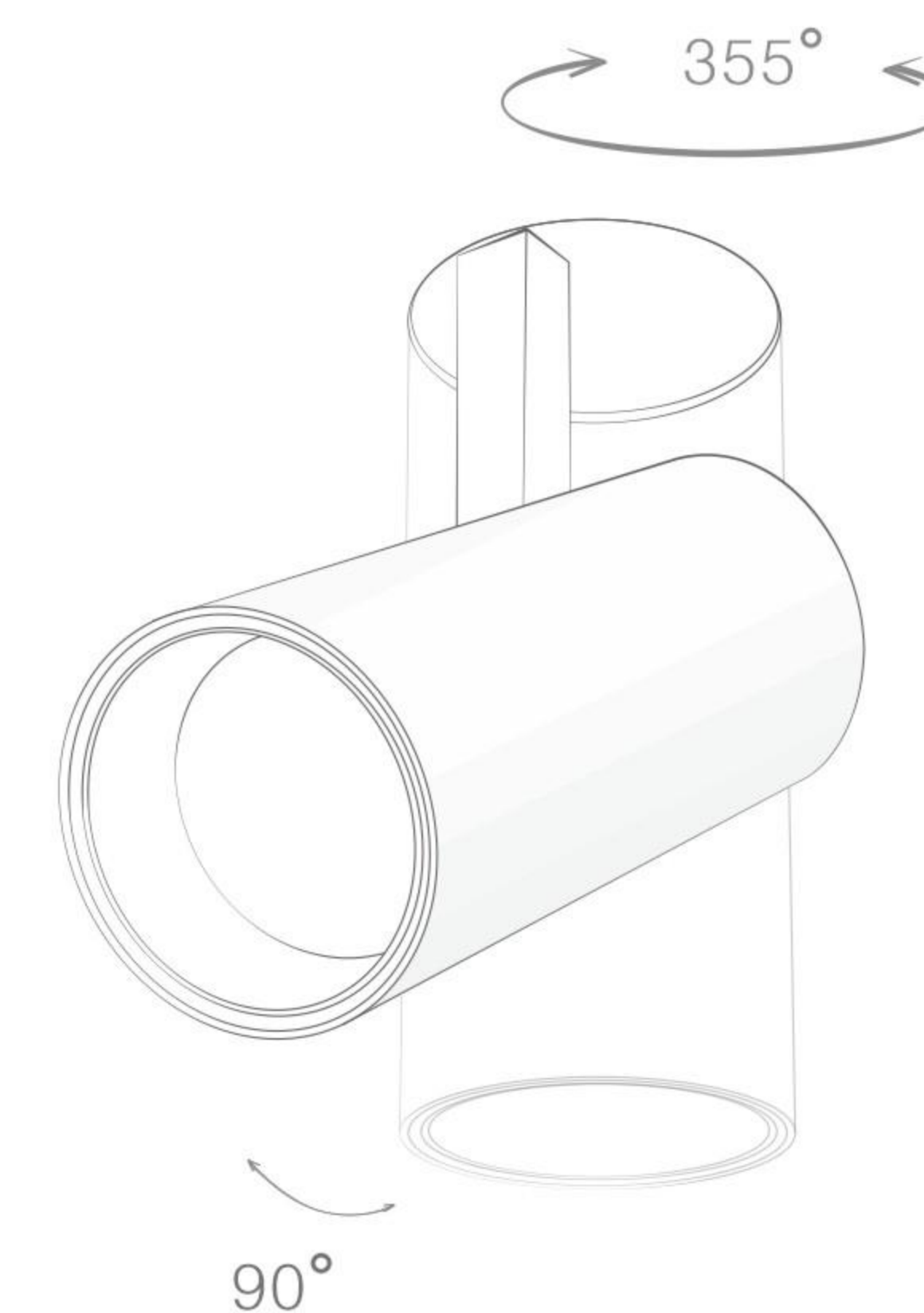
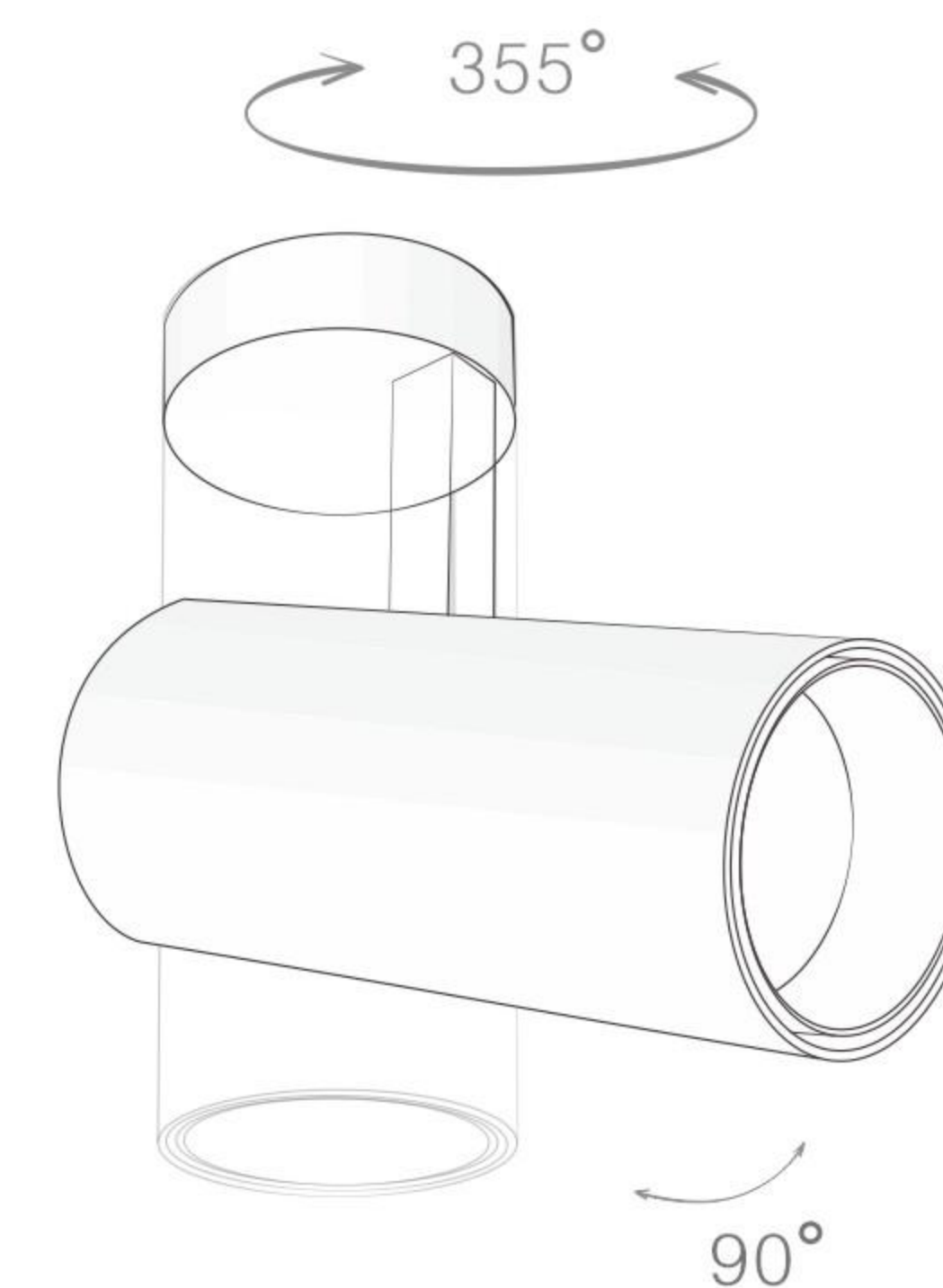
# GLORY

GLORY, a simple and elegant spotlight design but with wide function.  
 GLORY collection extends the options with track, surface mounted and ceiling recessed version.  
 Different accessories are available to change the light effect.  
 The tube shaped luminaires is the ideal combination of elegance of functionality.  
 The LED light source is deeply installed to the fitting, giving the excellent anti-glare effect.  
 The rotatable system is designed to move the light in dynamic and fluid way.  
 Special combination of LED and lens makes GLORY become the best choice for clothing store application.

© CE IP20 DALI DALI-2



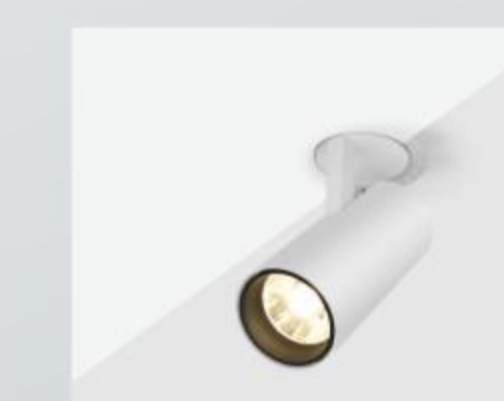
COLOR FINISHINGS:



ONM



INM





INS



ONS



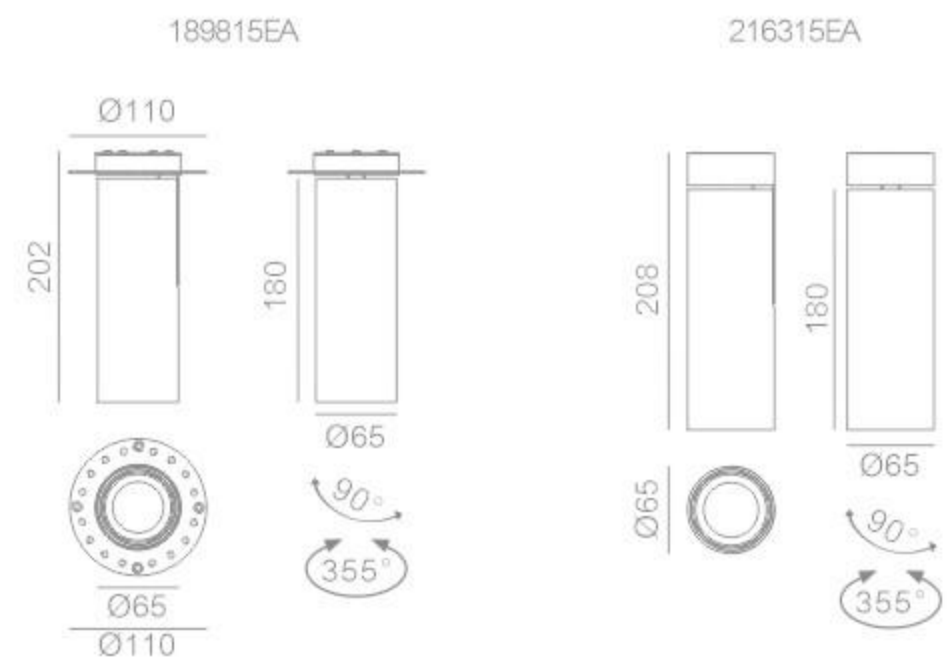
INM



ONM

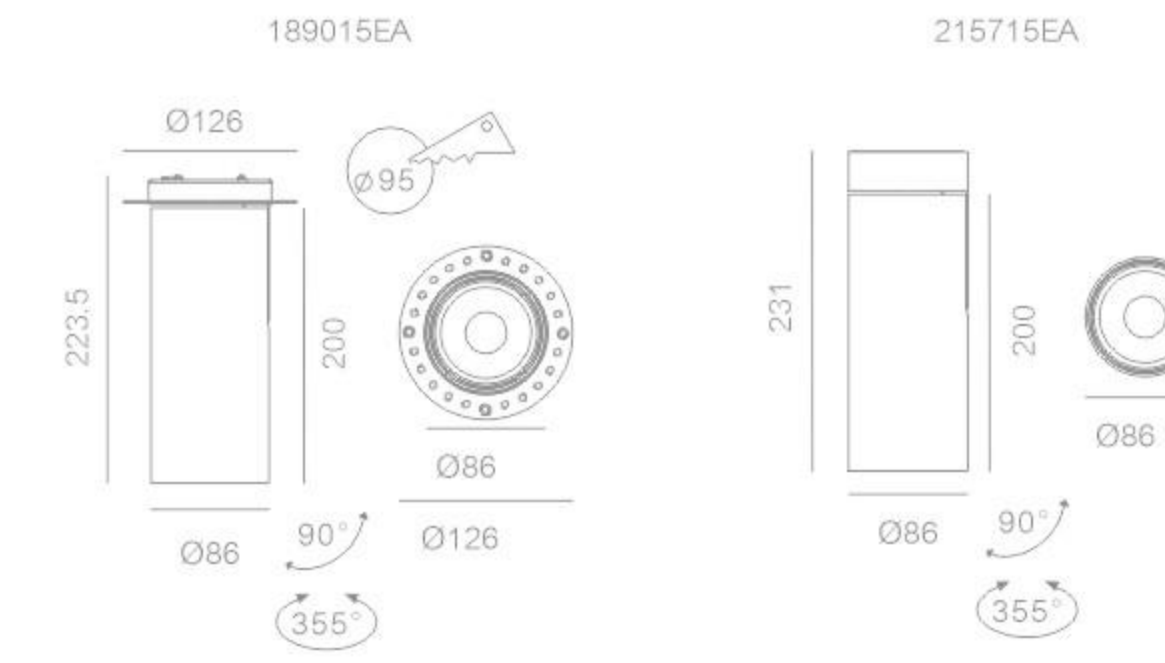
GLORY INS / ONS

LED POWER: 16.2W  
 LED OUTPUT: 1406Lm  
 SYSTEM POWER: 19.1W  
 SYSTEM OUTPUT: 990Lm/3000K  
 INPUT: 220-240VAC,50/60Hz  
 CRI: 90  
 DIMENSION: Ø110\*202mm/Ø65\*208mm  
 HOLE SIZE: Ø75mm

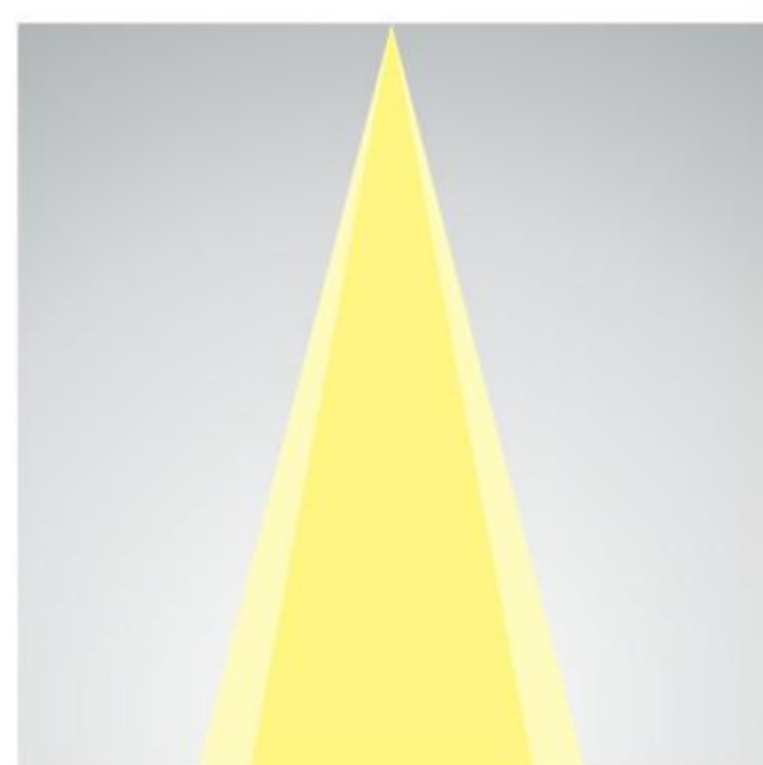


GLORY INM / ONM

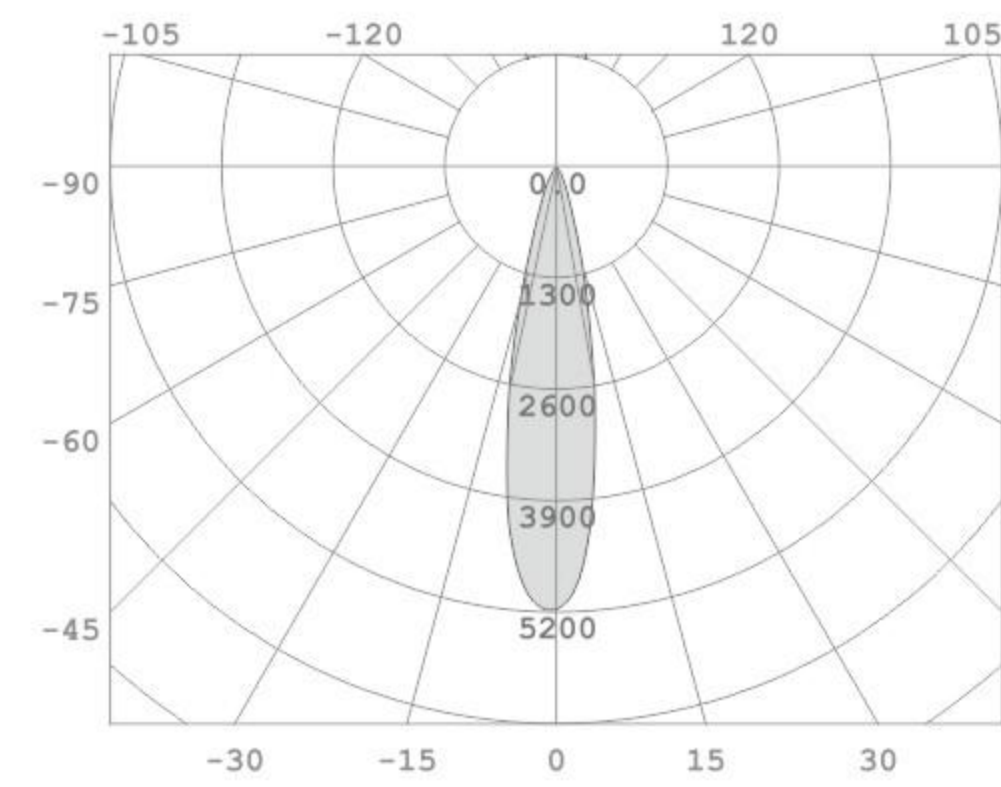
LED POWER: 32.8W  
 LED OUTPUT: 3080Lm  
 SYSTEM POWER: 37W  
 SYSTEM OUTPUT: 2333Lm/3000K  
 INPUT: 220-240VAC,50/60Hz  
 CRI: 90  
 DIMENSION: Ø126\*223.5mm/Ø86\*231mm  
 HOLE SIZE: Ø95mm



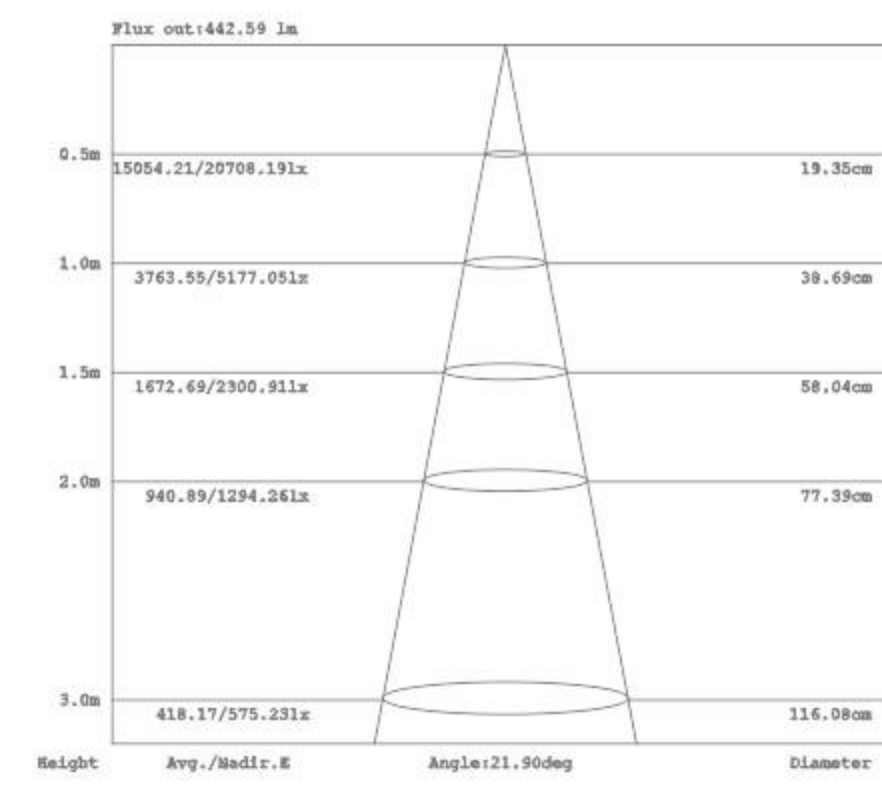
ANGLE 24°



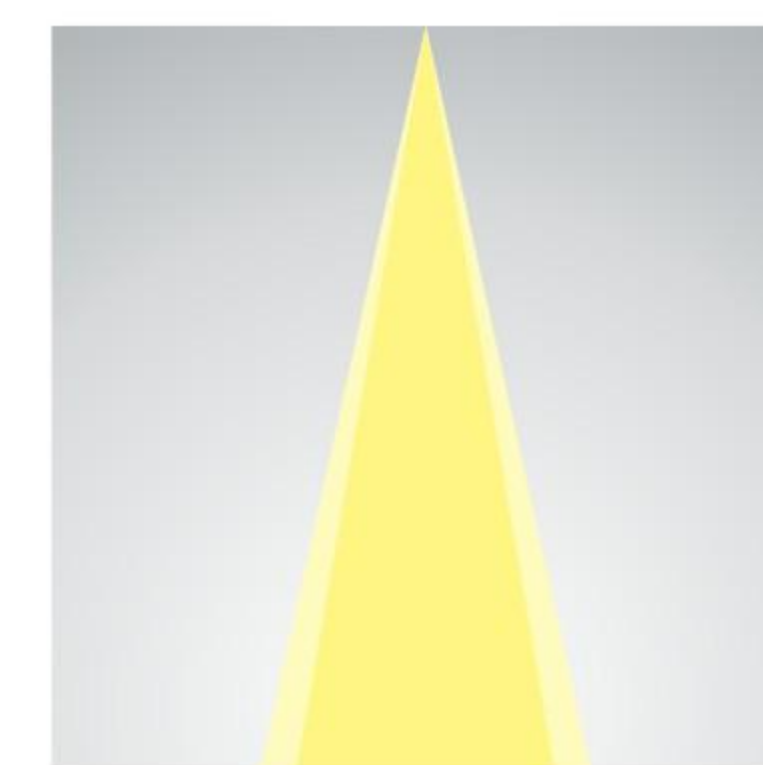
16.2W 24° 3000K (SENSUS)



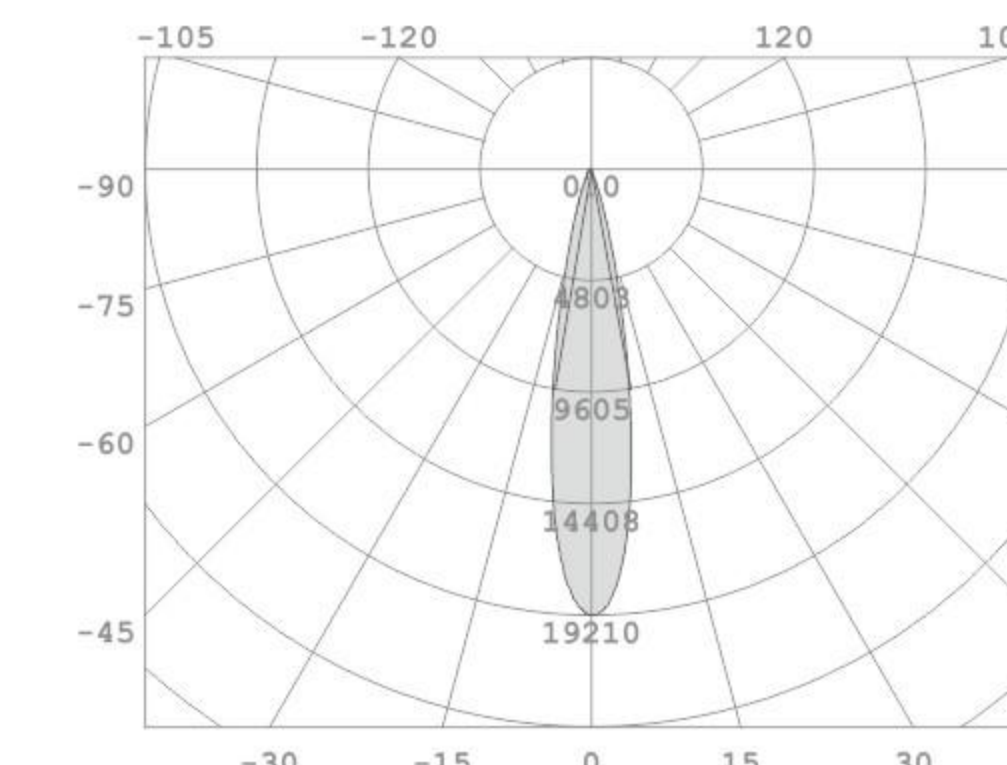
16.2W 24° 3000K



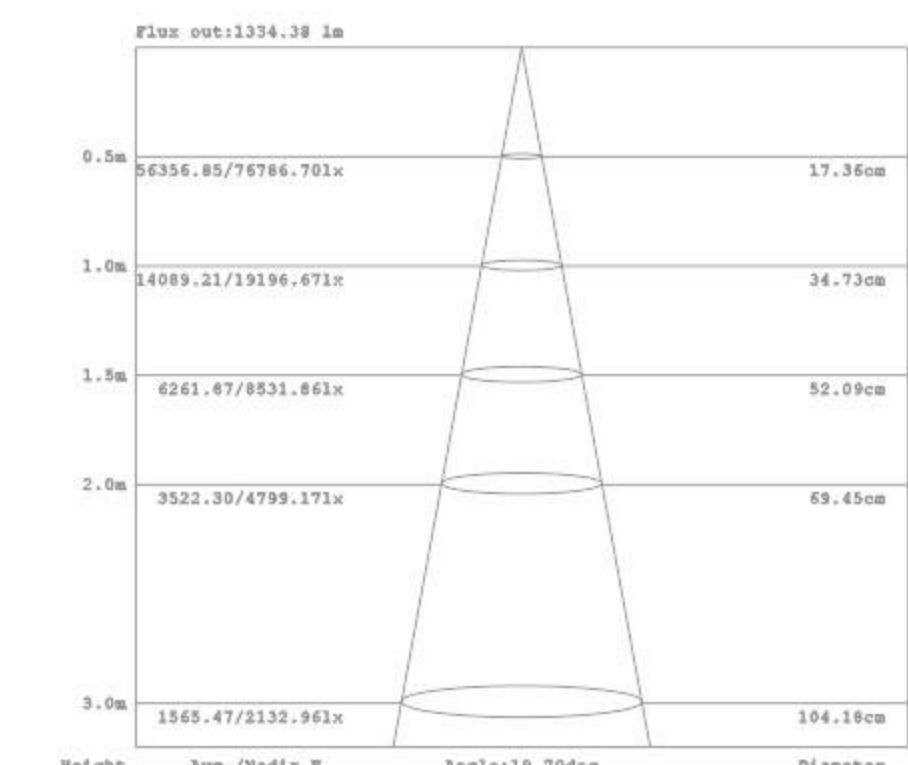
ANGLE 20°



33W 20° 3000K



33W 20° 3000K

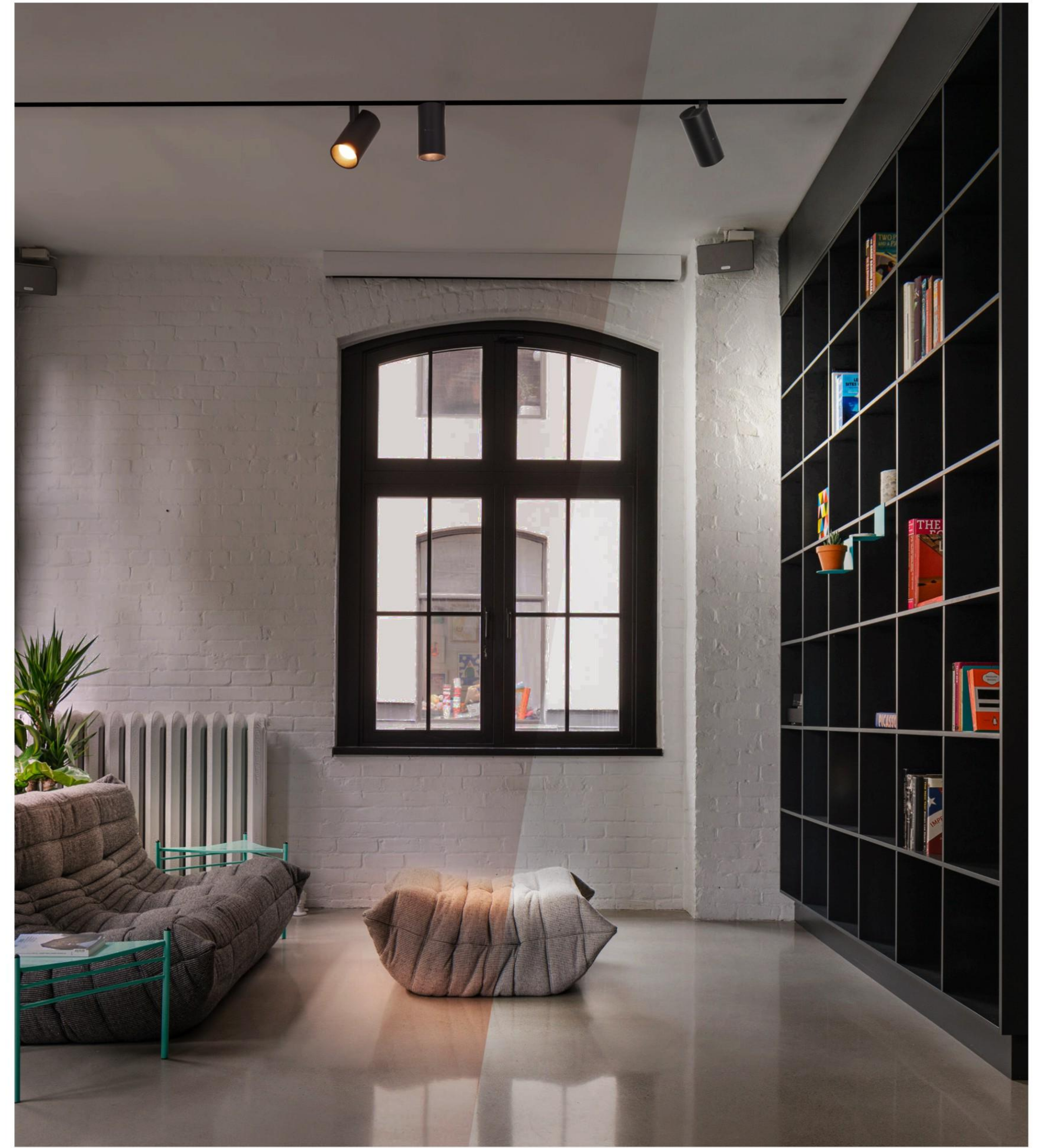


OPTION:

CODE	POWER	COLOR TEMP	BEAN ANGLE	CCT	DRIVER TYPE
189815	19.1W	Sandy Black/Sandy White	12°/36°/20°	2700K,3000K,3000k(SENSUS),3500K,4000K	DT/DA/DX/ON/OFF
216315	19.1W	Sandy Black/Sandy White	12°/36°/20°	2700K,3000K,3000k(SENSUS),3500K,4000K	DT/DA/DX/ON/OFF

OPTION:

CODE	POWER	COLOR TEMP	BEAN ANGLE	CCT	DRIVER TYPE
189015	37W	Sandy Black/Sandy White	12°/36°/20°	2700K,3000K,3000k(SENSUS),3500K,4000K	DT/DA/DX/ON/OFF
215715	37W	Sandy Black/Sandy White	12°/36°/20°	2700K,3000K,3000k(SENSUS),3500K,4000K	DT/DA/DX/ON/OFF



2700K 6000K

 COLOR TEMPERATURE

1% 100%

BRIGHTNESS



# GRACE

Minimalism, functionality and versatility are the key terms to describe GRACE collection.

The GRACE was designed to meet multiple lighting requirements, an ideal solution for accent lighting in residential or commercial spaces. Special twisting function makes it flexible to adjust the beam angle from 15° up to 30°. Different choice of track adapters are available for choice.

CCC CE IP20 100/220 240VAC

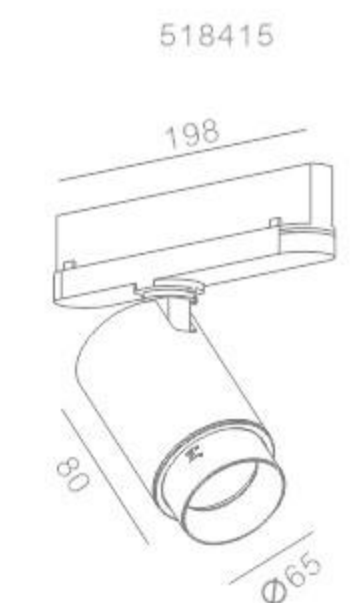


GRACE T XS



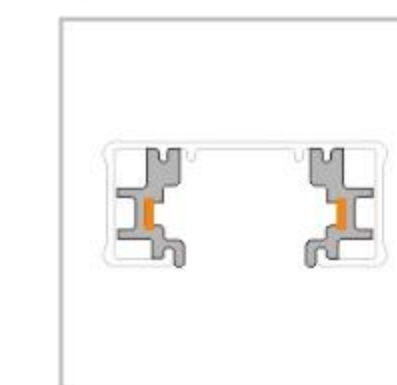
ANGLE 15°-30°

GRACE T XS   
 LED POWER: 13.5W  
 LED LUMEN: 1386LM/3000K  
 LUMINAIRE LUMEN: 875LM  
 INPUT: 100-240VAC,50/60Hz  
 CRI: 90  
 DIMENSION: 198\*65\*137mm  
 HOLE SIZE: /

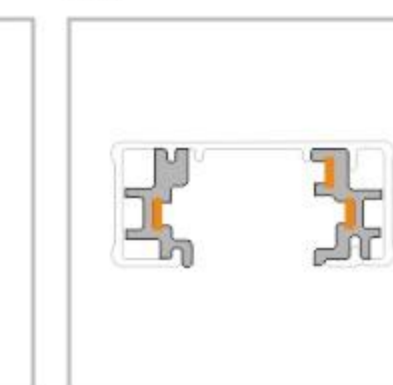


TRACK OPTIONS:

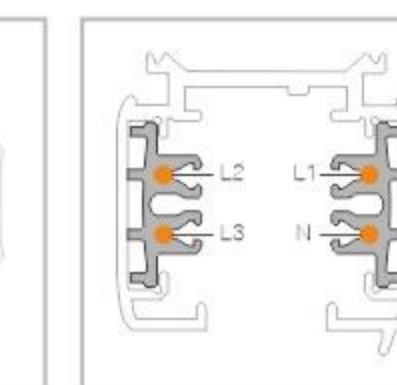
W2



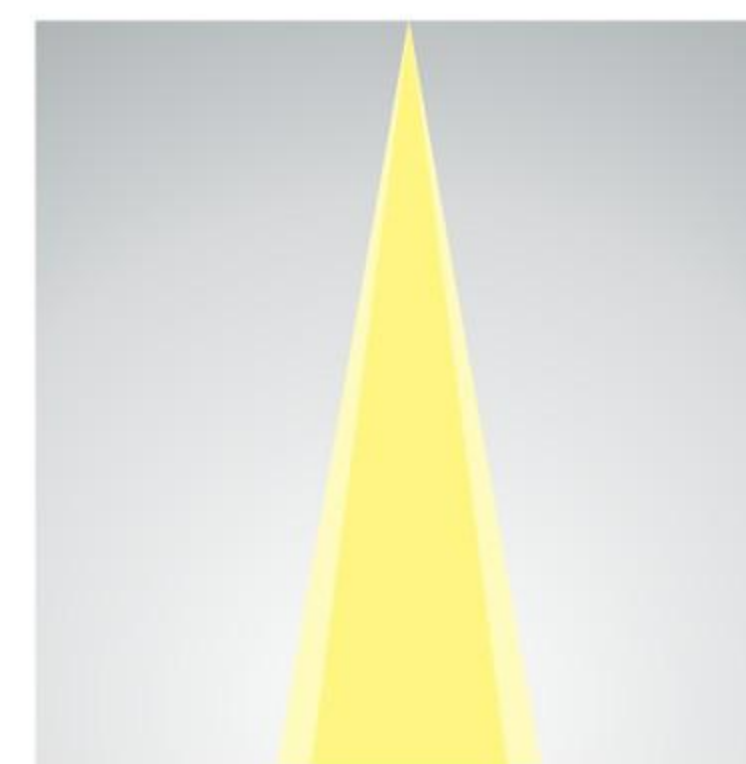
W3



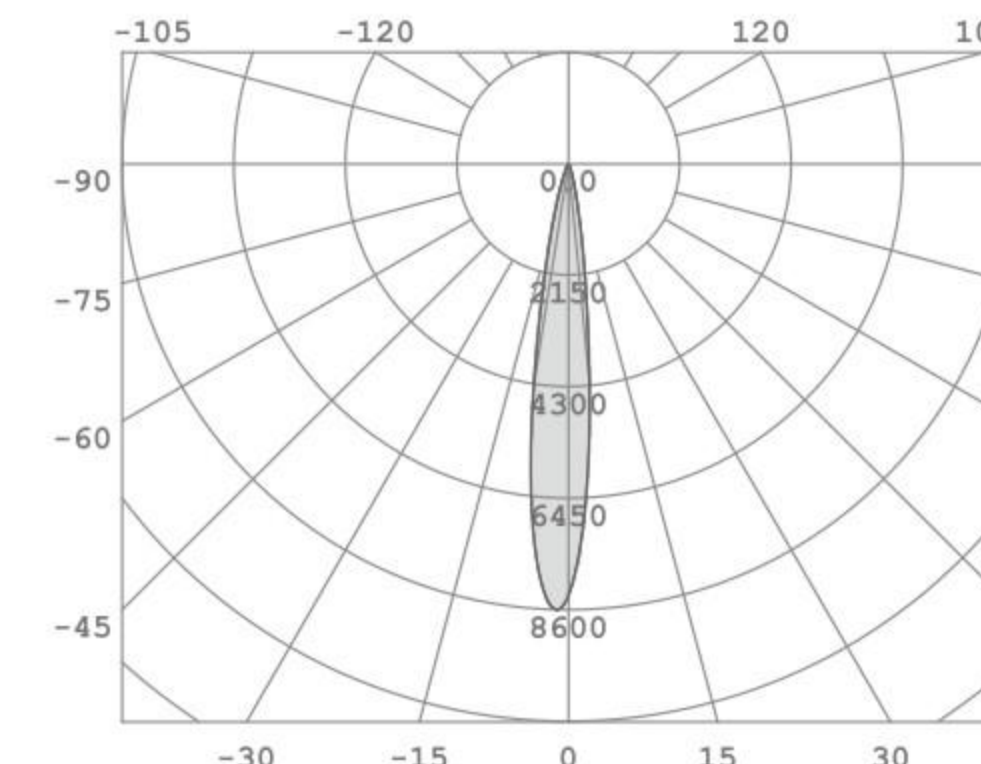
W4



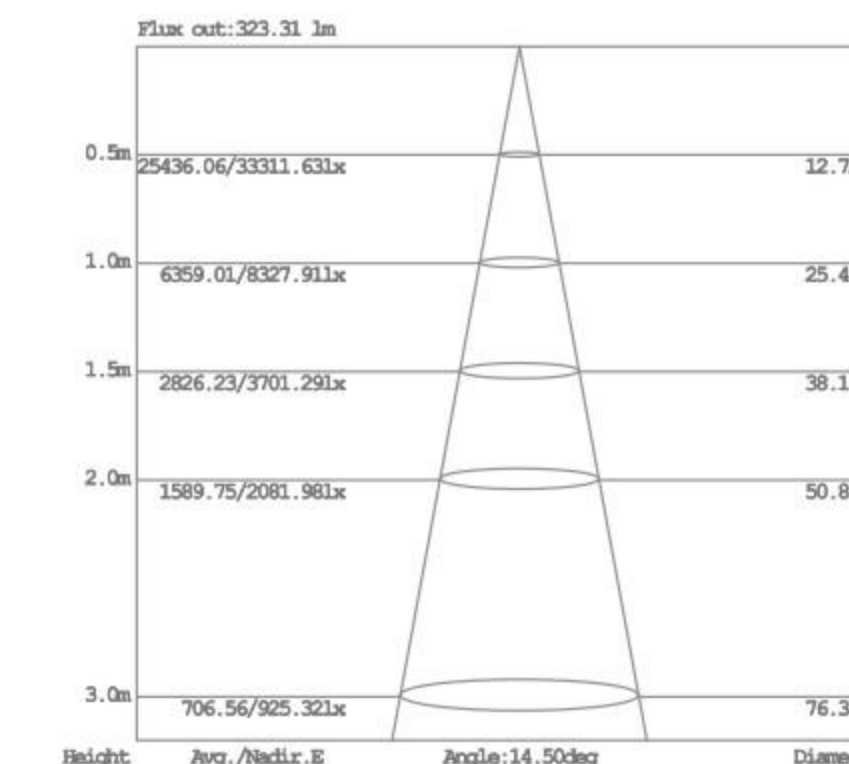
ANGLE 15°



13.5W 15° 3000K



13.5W 15° 3000K



OPTION:

CODE	POWER	COLOR TEMP	BEAN ANGLE	CCT	DRIVER TYPE
518415	16W	Sandy Black/Sandy White	A(15°-30°)	2700/3000/4000/3500/5000K	DT/ON/OFF





GRACE TS



ANGLE  
15°-30°



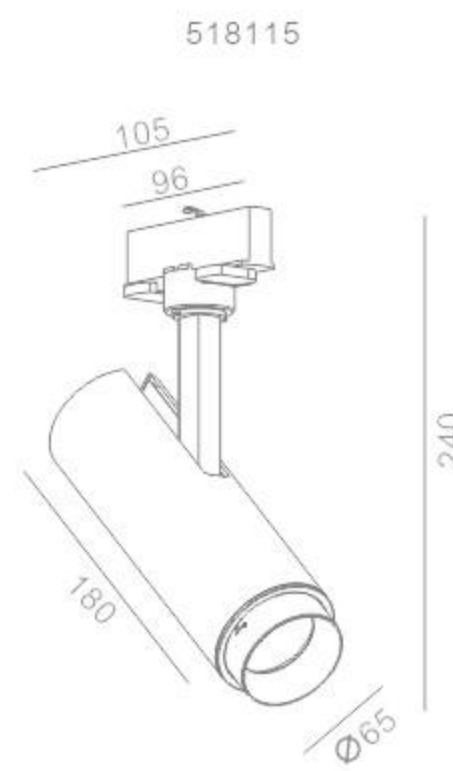
GRACE TM



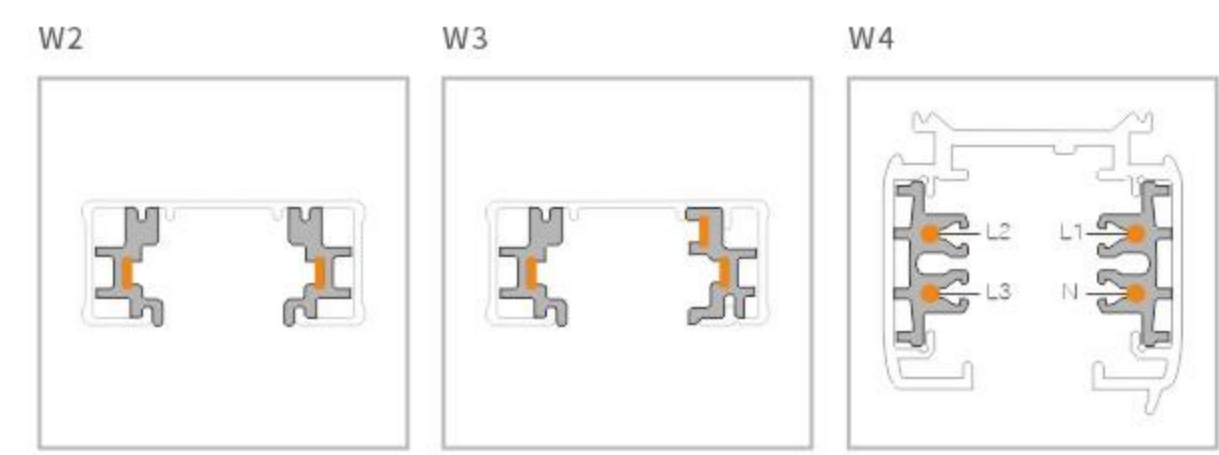
ANGLE  
15°-30°

GRACE TS

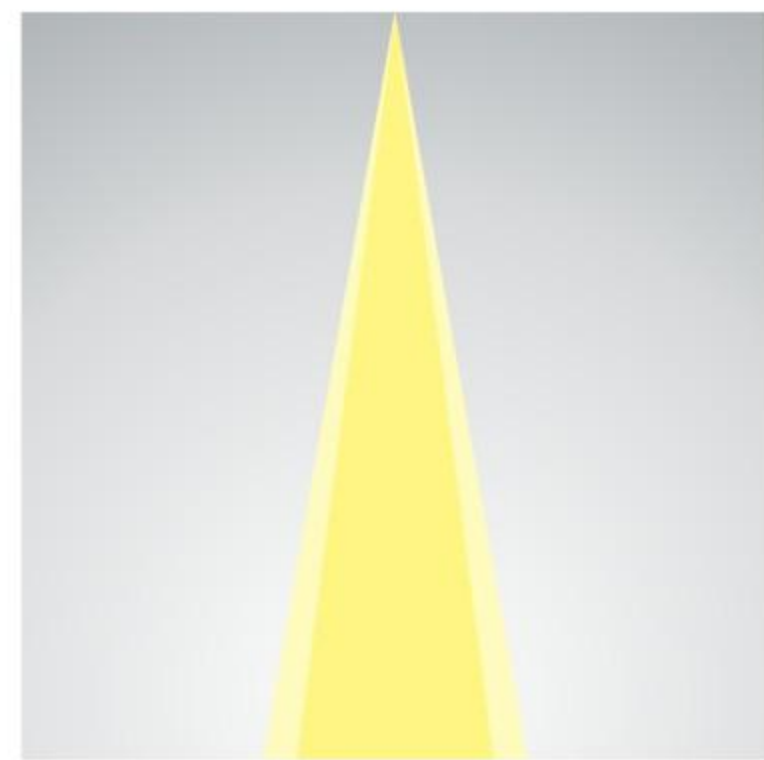
LED POWER: 16.2W  
LED LUMEN: 1605LM/3000K  
LUMINAIRE LUMEN: 832LM  
INPUT: 100-240VAC, 50/60Hz  
CRI: 90  
DIMENSION: 105\*65\*254mm  
HOLE SIZE: /



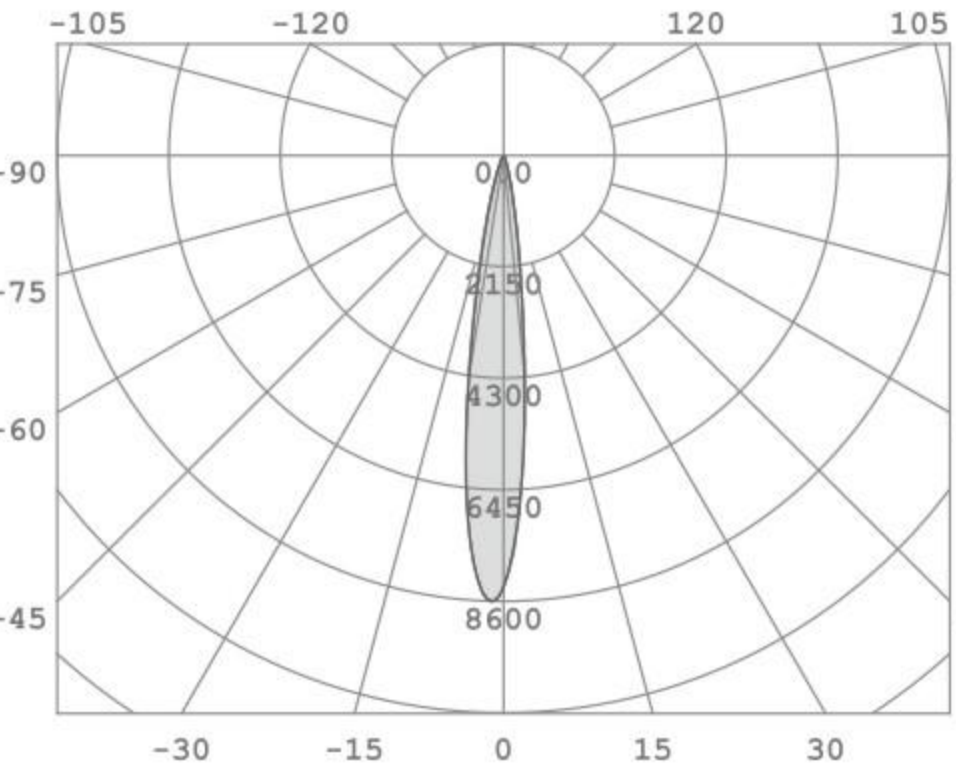
TRACK OPTIONS:



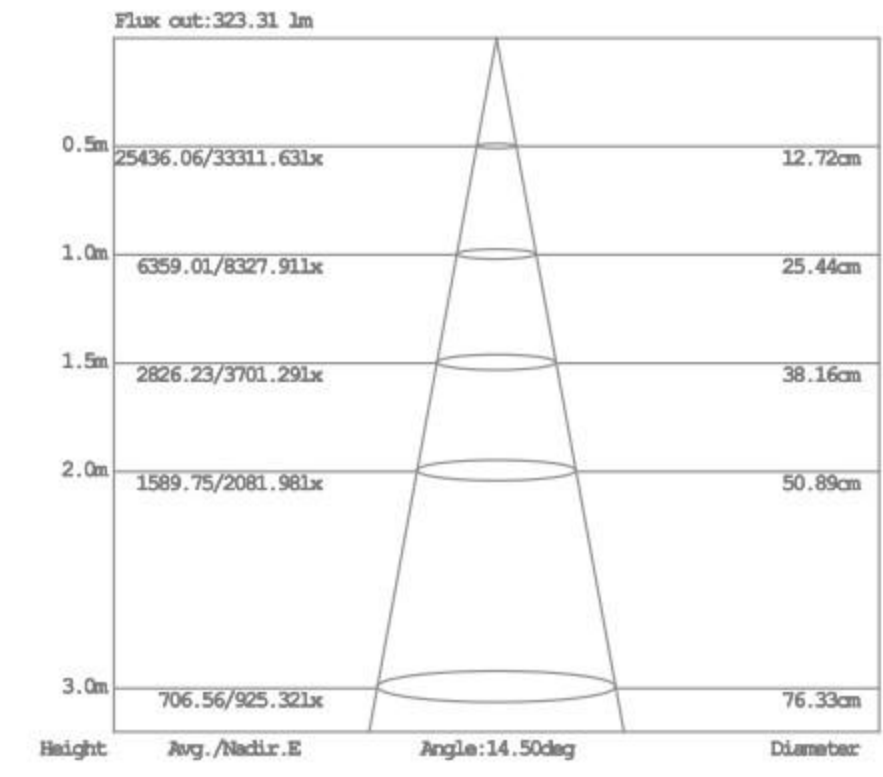
ANGLE 15°



16.2W 15° 3000K

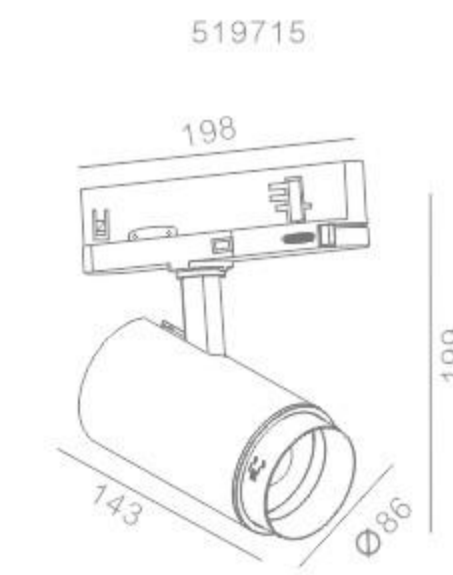


16.2W 15° 3000K

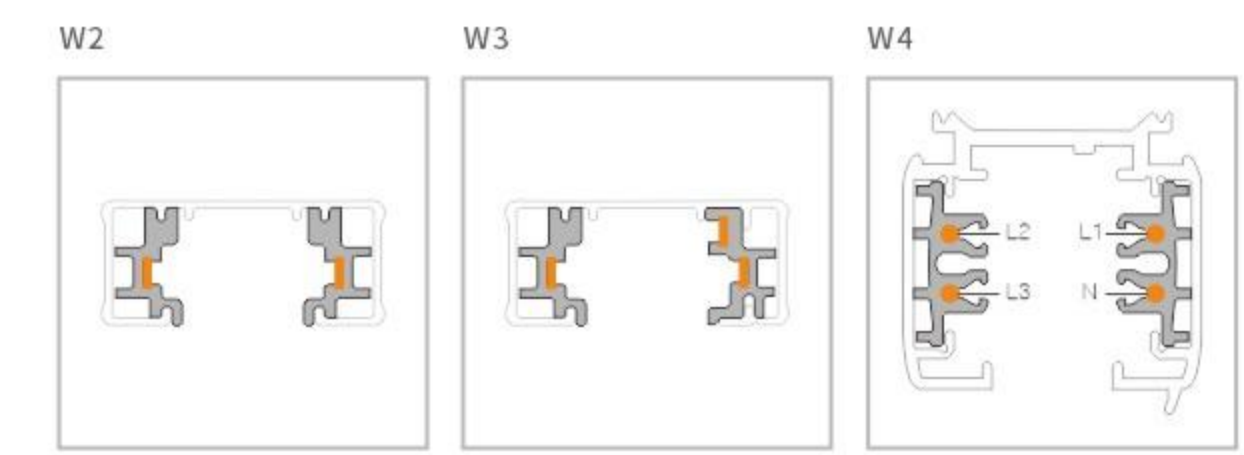


GRACE TM

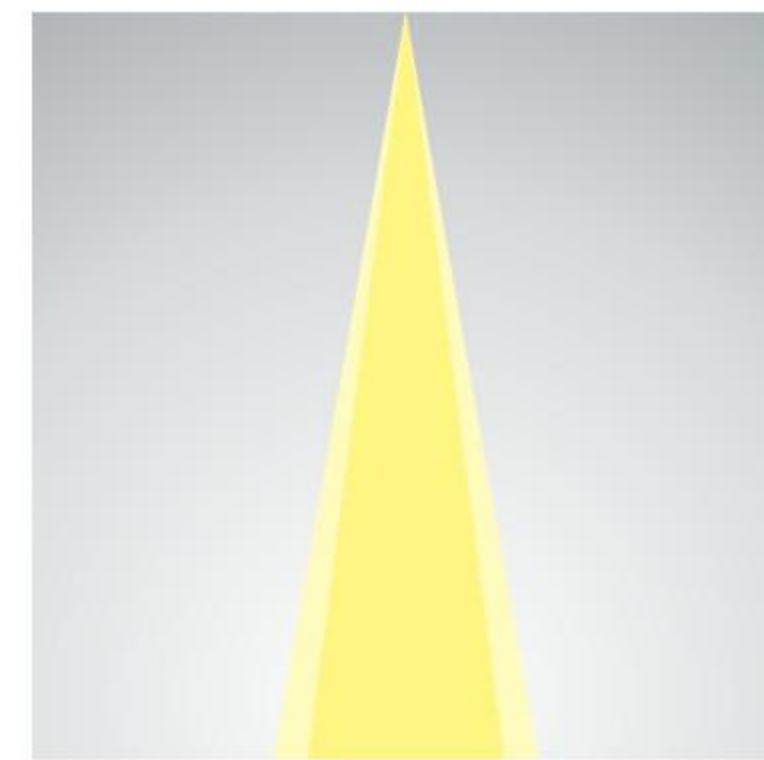
LED POWER: 27W  
LED LUMEN: 2593LM/3000K  
LUMINAIRE LUMEN: 1627LM  
INPUT: 100-240VAC, 50/60Hz  
CRI: 90  
DIMENSION: 86\*198\*266mm  
HOLE SIZE: /



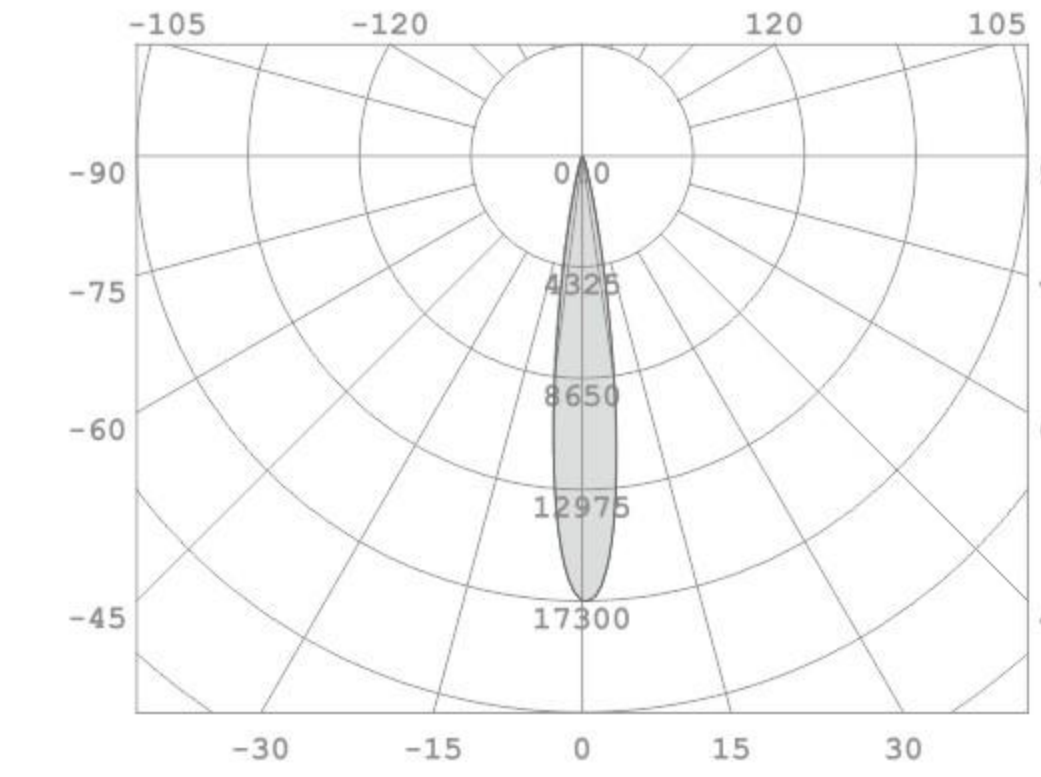
TRACK OPTIONS:



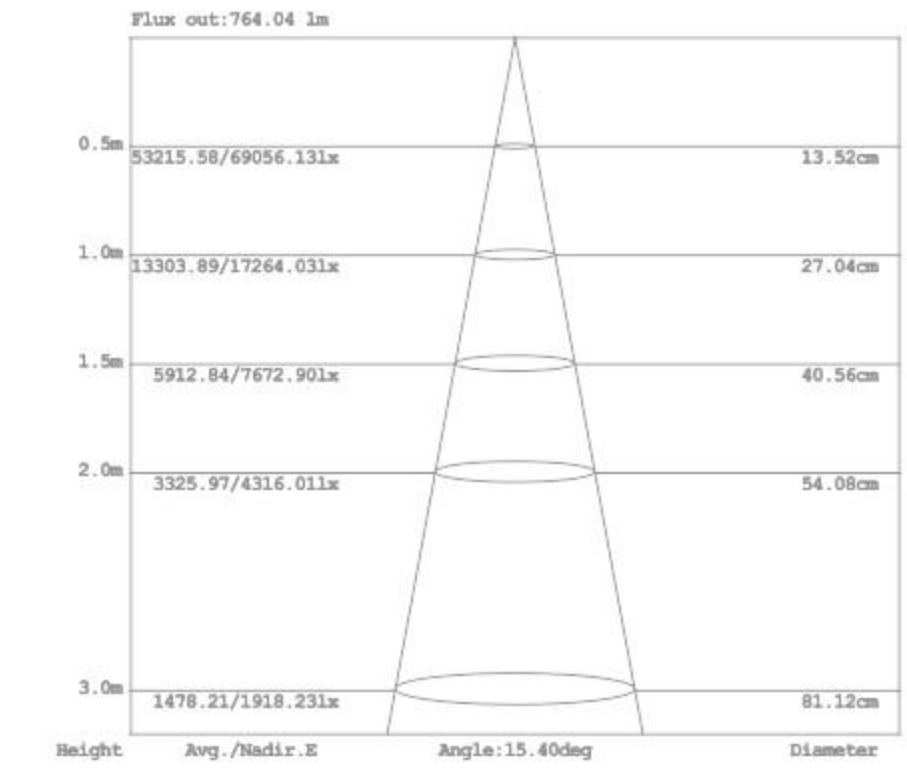
ANGLE 15°



27W 15° 3000K



27W 15° 3000K



OPTION:

CODE	POWER	COLOR TEMP	BEAN ANGLE	CCT	DRIVER TYPE
518115	18W	Sandy Black/Sandy White	A(15°-30°)	2700/3000/4000/3500/5000K	DT/ON-OFF

OPTION:

CODE	POWER	COLOR TEMP	BEAN ANGLE	CCT	DRIVER TYPE
519715	30W	Sandy Black/Sandy White	A(15°-30°)	2700/3000/3500/4000/5000K	DT/ON-OFF



GRACE T L

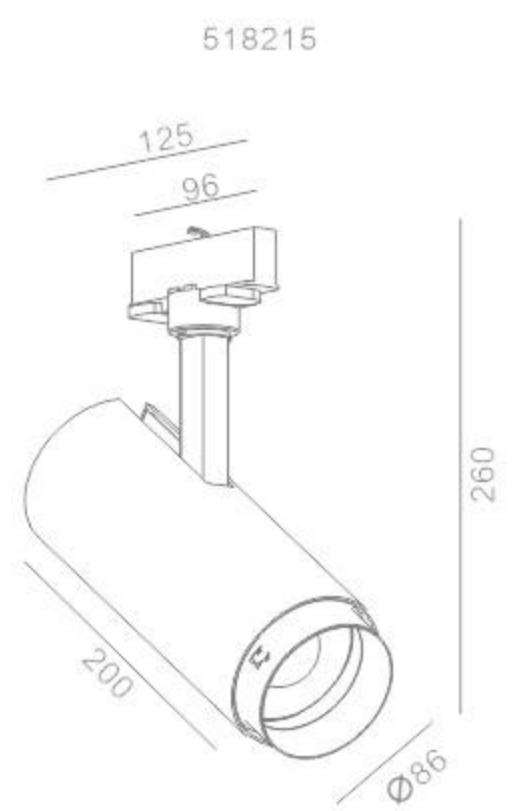


ANGLE  
15°-30°

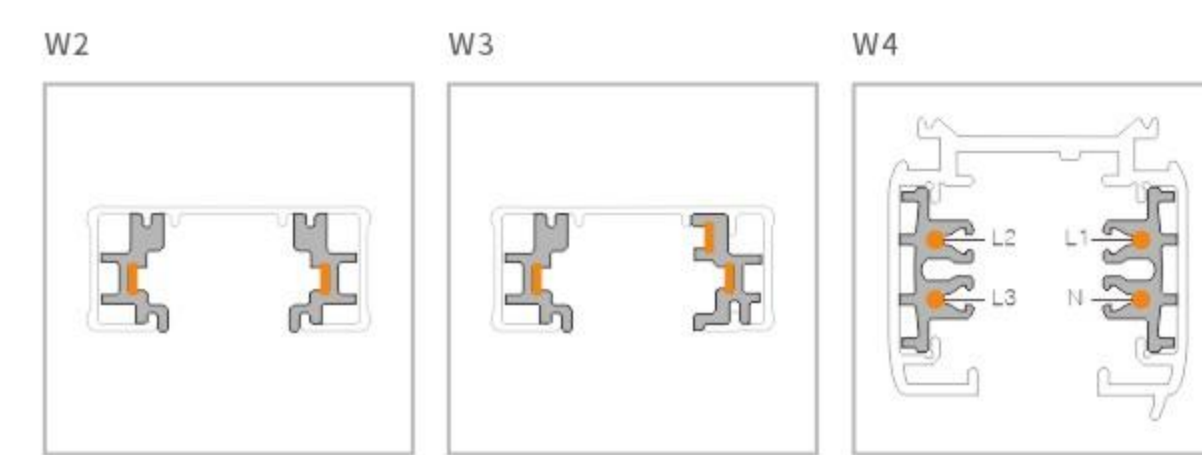
111

GRACE T L

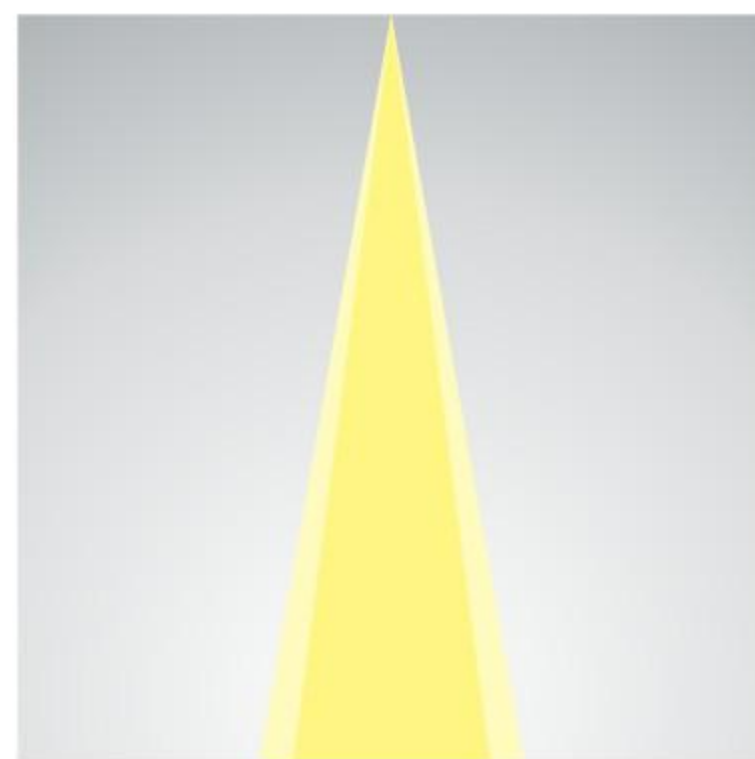
LED POWER: 32.4W  
LED LUMEN: 3144LM/3000K  
LUMINAIRE LUMEN: 1853LM  
INPUT: 100-240VAC, 50/60Hz  
CRI: 90  
DIMENSION: 125\*86\*269mm  
HOLE SIZE: /



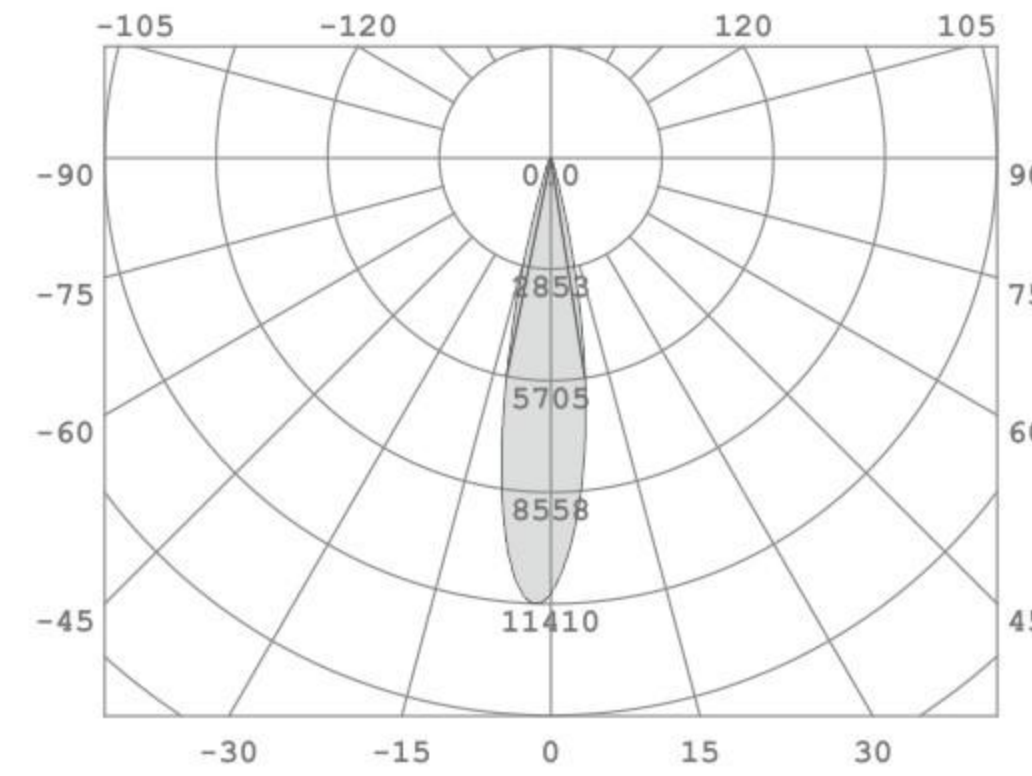
TRACK OPTIONS:



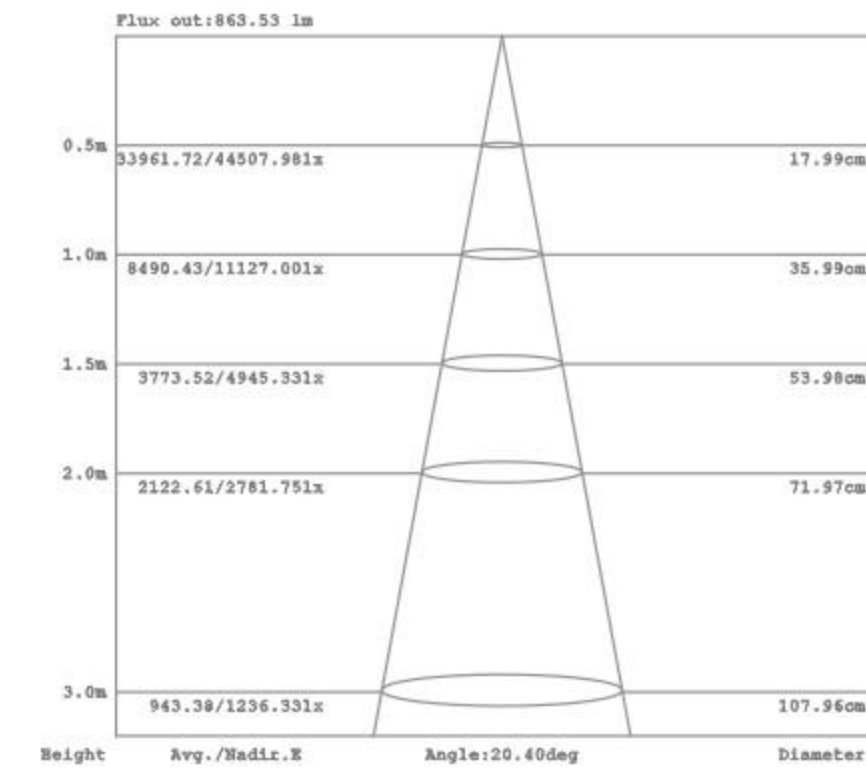
ANGLE 15°



32.4W 15° 3000K



32.4W 15° 3000K



OPTION:

CODE	POWER	COLOR TEMP	BEAN ANGLE	CCT	DRIVER TYPE
518215	36W	Sandy Black/Sandy White	A(15°-30°)	2700/3000/3500/4000/5000K	DT/ON-OFF



112



113

# HUNTER

HUNTER was designed to meet special requirement and create unique lighting pattern in the room. This miniature track spot is presented in two sizes: 3W and 11W. Thanks to a perfect combination of LED source and narrow beam lens, 4° and 6°, HUNTER provides special enigmatic atmosphere for the room, emphasizing separate objects.

# HUNTER

NORMAL TRACK LIGHT



HUNTER T S

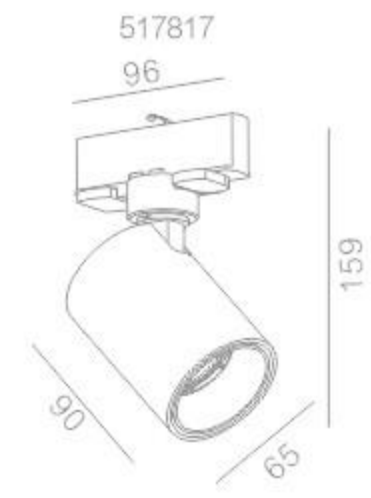
HUNTER T M

114



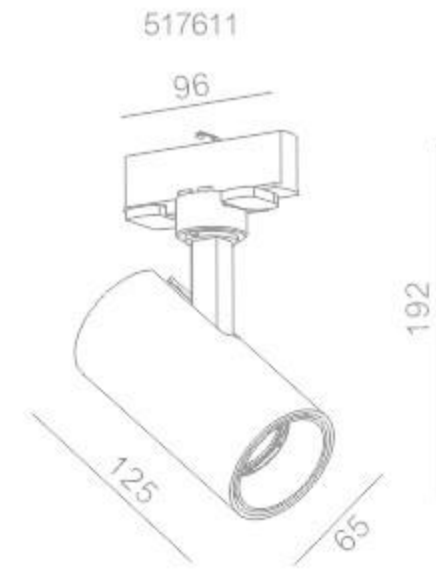
HUNTER TS

LED POWER:2.2W  
 LED LUMEN: 199LM/3000K  
 LUMINAIRE LUMEN: 174LM/3000K  
 INPUT: 100-240VAC,50/60Hz  
 CRI: 90  
 DIMENSION: Ø65\*90\*96mm

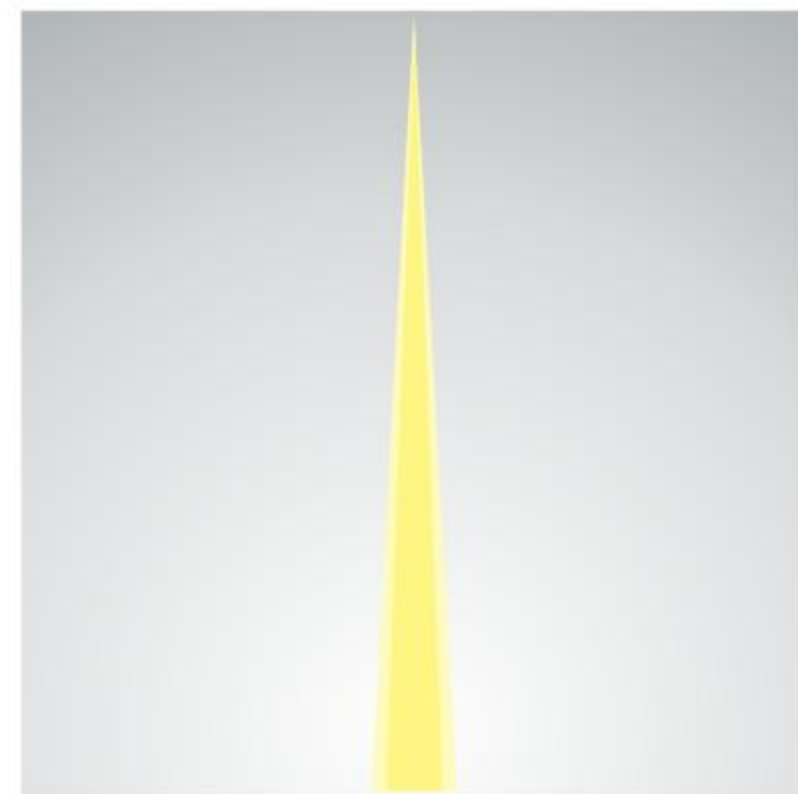


HUNTER TM

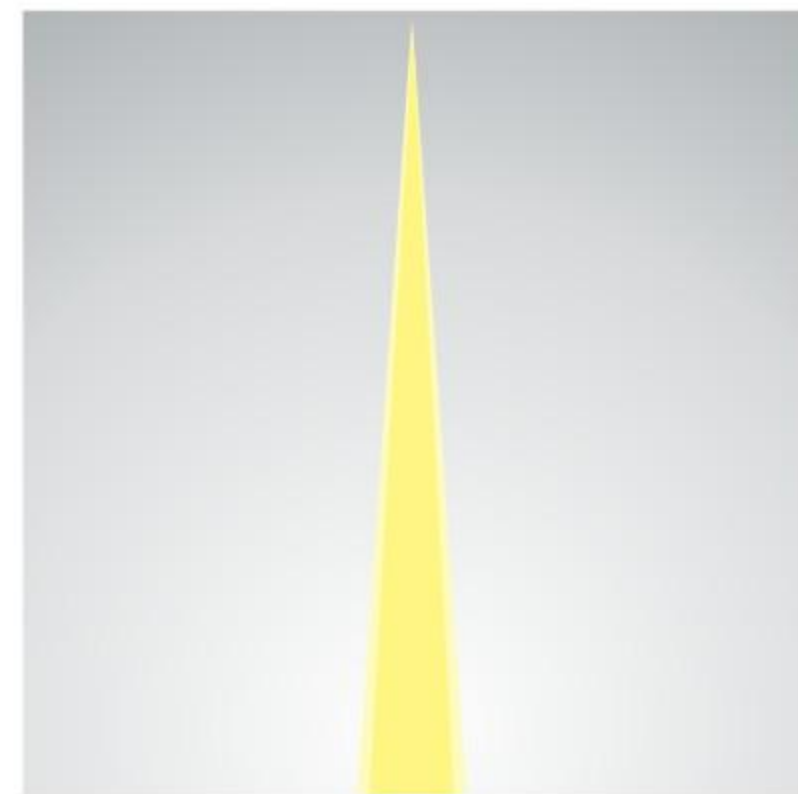
LED POWER:8.4W  
 CRI: 90  
 LED LUMEN: 756LM/3000K  
 LUMINAIRE LUMEN: 630LM/5000K  
 INPUT: 100-240VAC,50/60Hz  
 DIMENSION: Ø65\*125\*96mm



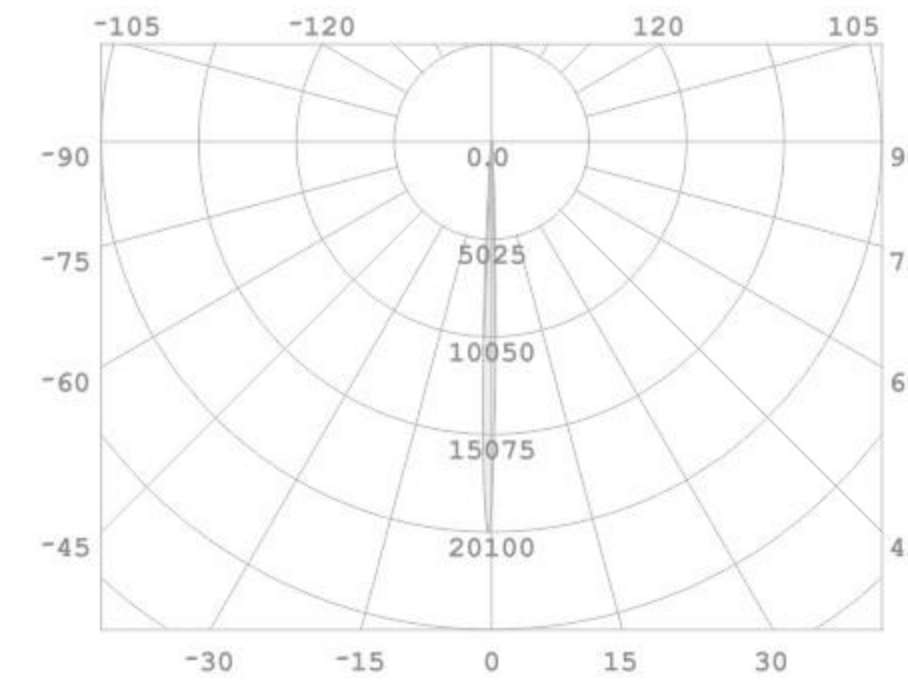
ANGLE 4°



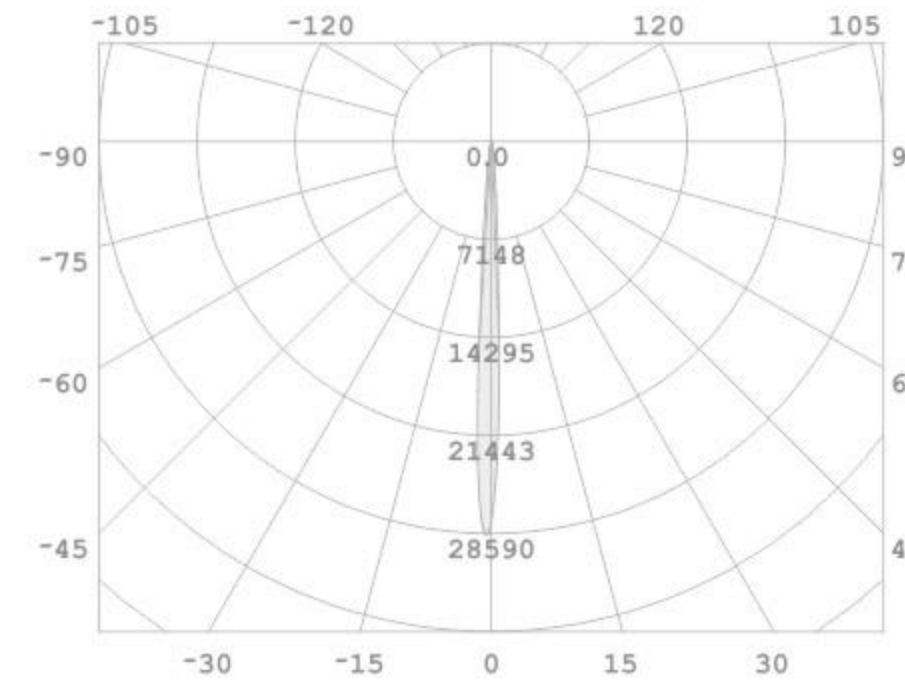
ANGLE 6°



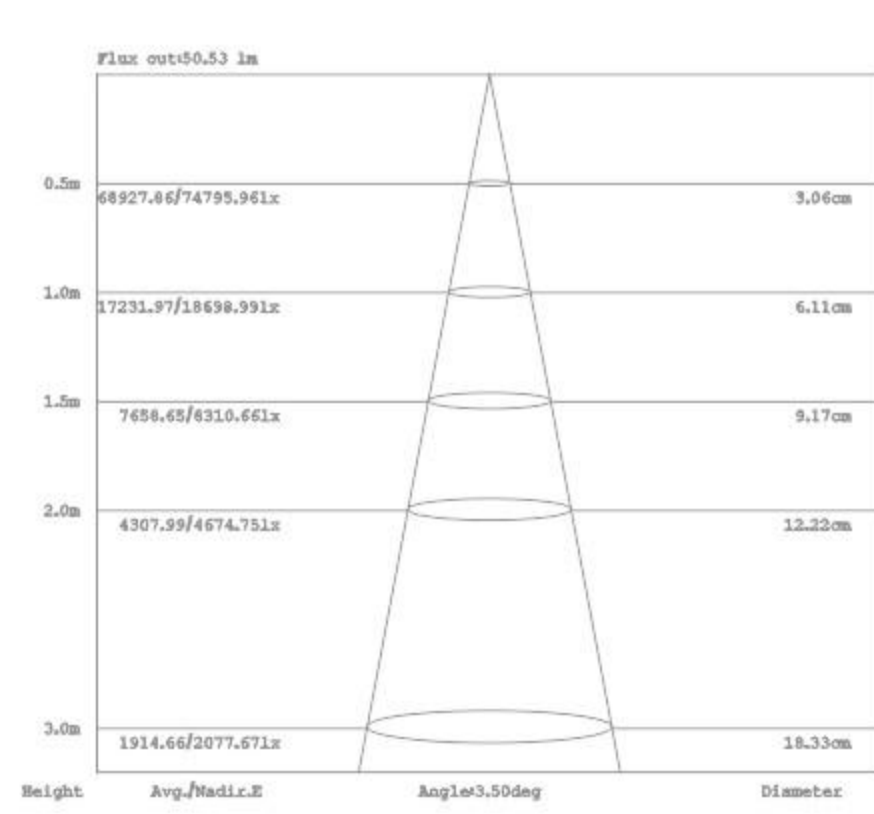
2.2W 4° 3000K



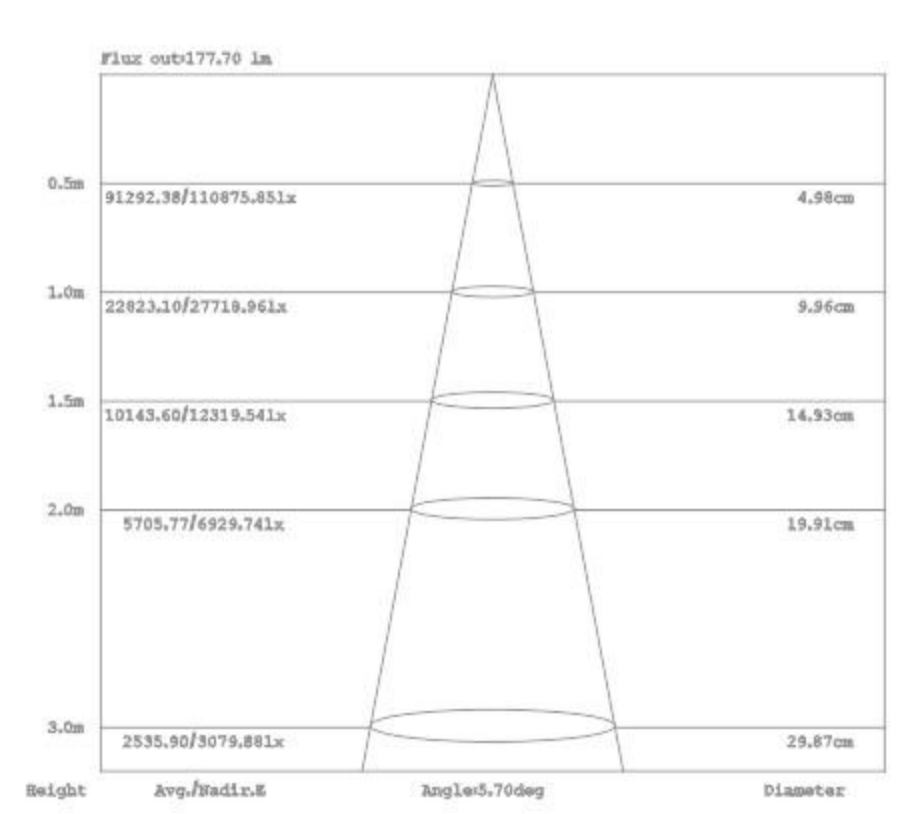
8.4W 6° 3000K



2.2W 4° 3000K



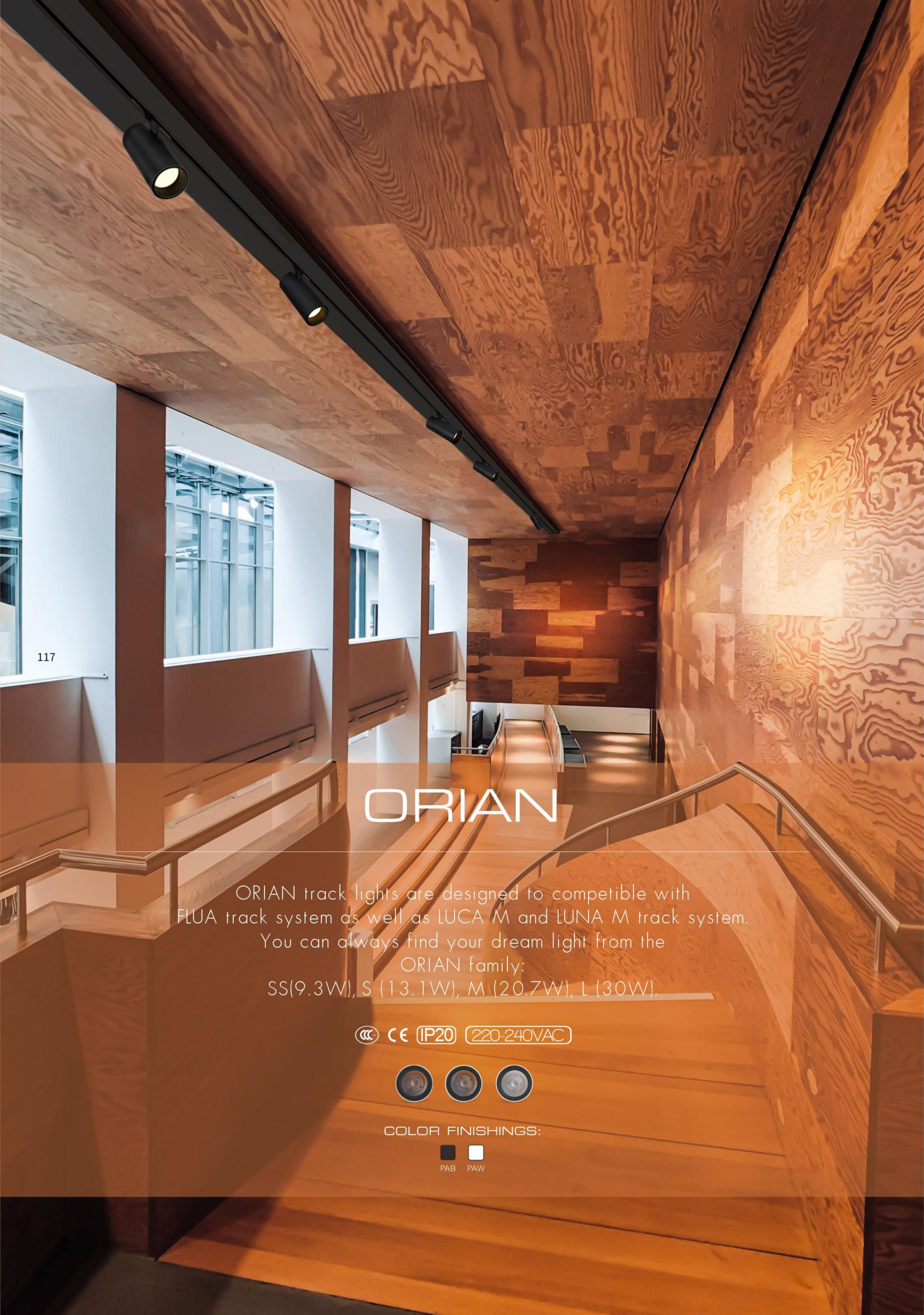
8.4W 6° 3000K



OPTION:

CODE	POWER	COLOR TEMP	BEAN ANGLE	CCT	DRIVER TYPE
517817	4W	Sandy Black/Sandy White	4°	2700/3000/4000/3500/5000K	DX/DT/DA/ON-OFF
517611	11W	Sandy Black/Sandy White	6°	2700/3000/4000/3500/5000K	DX/DT/DA/ON-OFF





# ORIAN

ORIAN track lights are designed to compete with FLUA track system as well as LUCA M and LUNA M track system. You can always find your dream light from the ORIAN family:  
 SS(9.3W), S (13.1W), M (20.7W), L (30W).

CCC CE IP20 220-240VAC



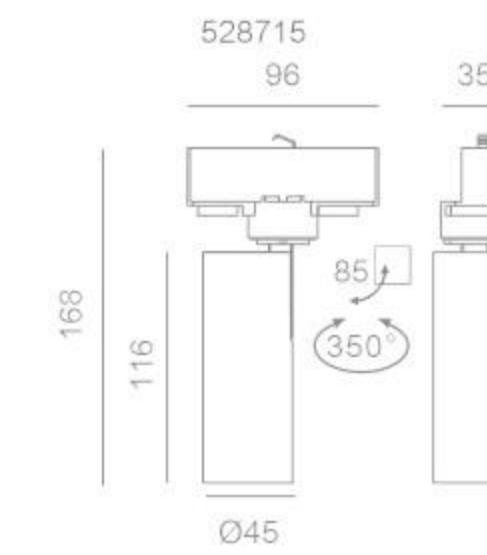
COLOR FINISHINGS:



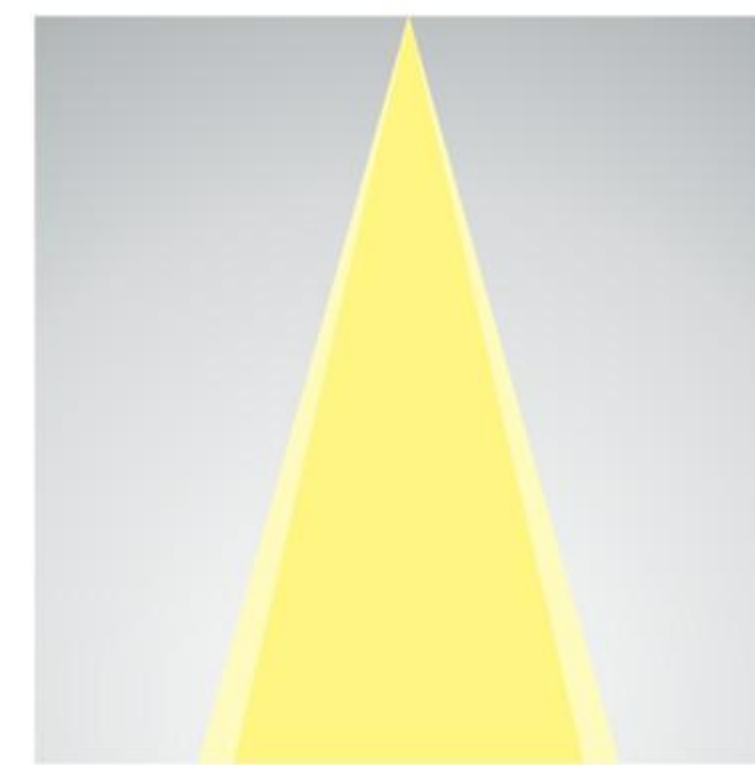
SS

ORIAN T SS

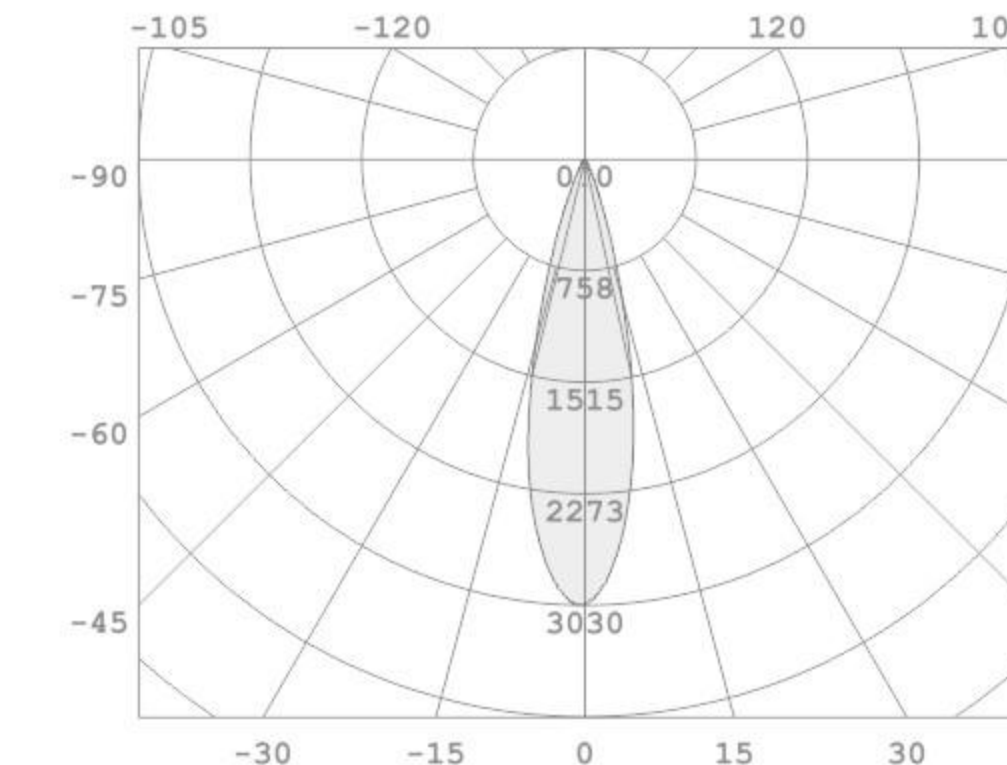
LED POWER: 7.2W  
 LED LUMEN: 860LM  
 SYSTEM POWER: 9.3W  
 LUMINAIRE LUMEN: 686LM/3000K  
 INPUT: 220-240VAC, 50/60Hz  
 CRI: 90  
 DIMENSION: Ø45\*96\*168mm  
 HOLE SIZE: /



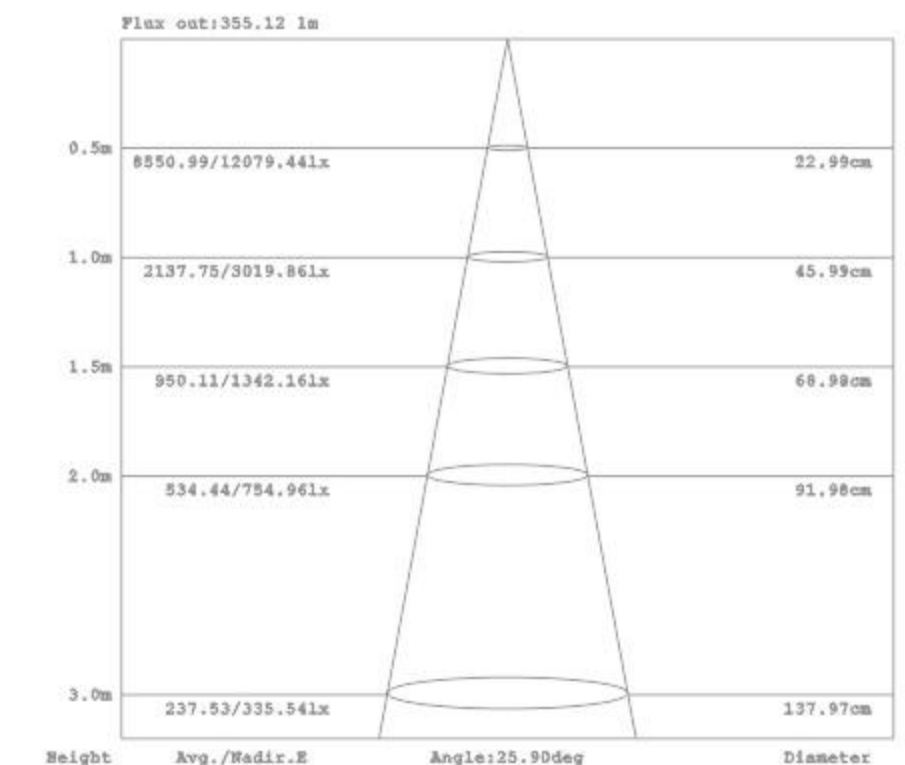
ANGLE 26°



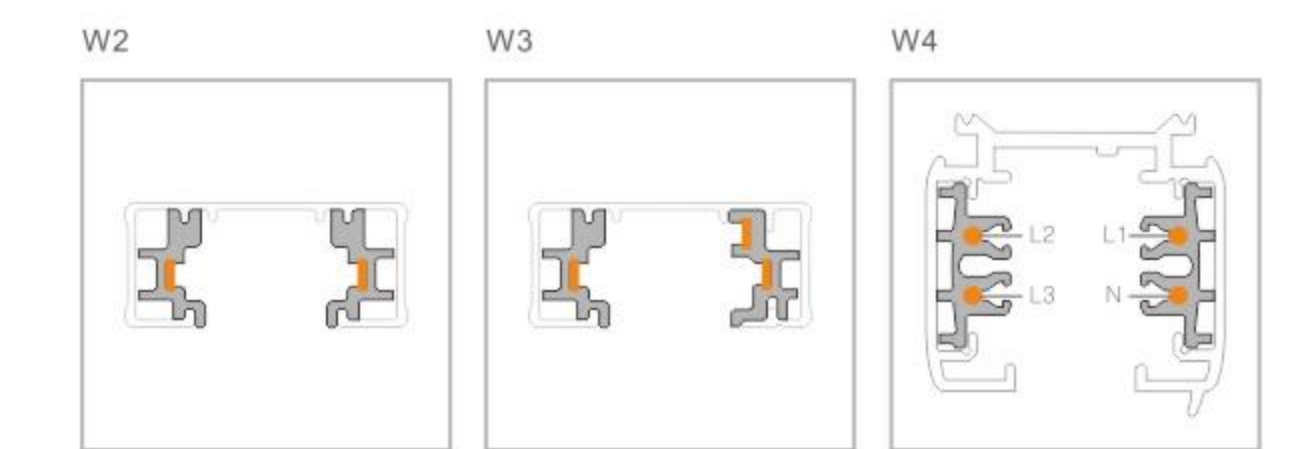
7.2W 26° 3000K



7.2W 26° 3000K



TRACK OPTIONS:



OPTION:

CODE	POWER	COLOR TEMP	BEAN ANGLE	CCT	DRIVER TYPE
528715	9.3W	Sandy Black/Sandy White	26°/18°/32°/41°	2700/3000/4000/3500/5000K	DX/DT/DA/ON-OFF



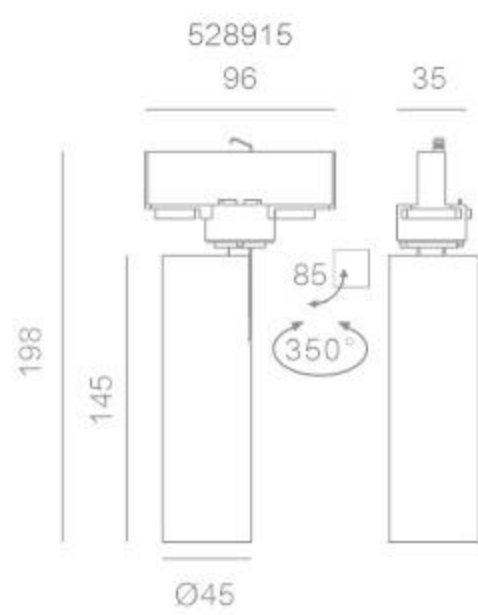
S



M

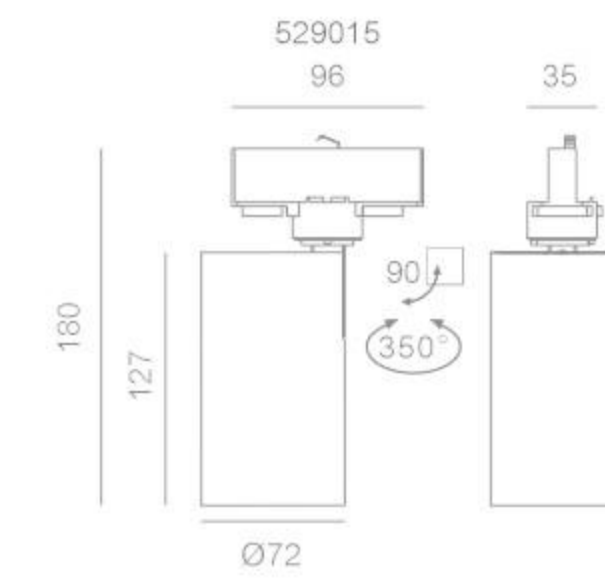
ORIAN S

LED POWER: 10.8W  
 LED LUMEN: 1280LM  
 SYSTEM POWER: 13.1W  
 LUMINAIRE LUMEN: 1000LM/3000K  
 INPUT: 220-240VAC, 50/60Hz  
 CRI: 90  
 DIMENSION: Ø45\*96\*198mm  
 HOLE SIZE: /

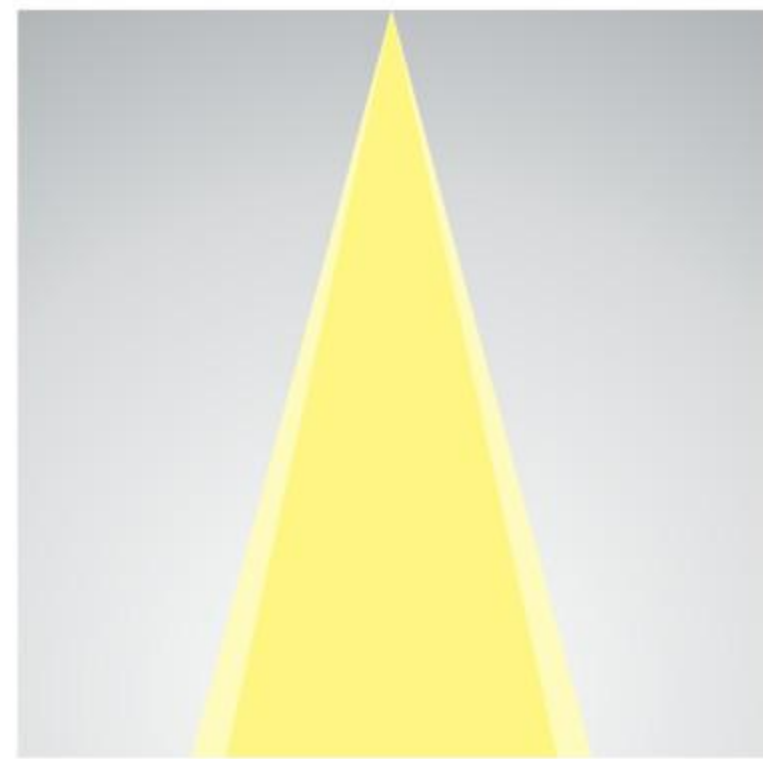


ORIAN M

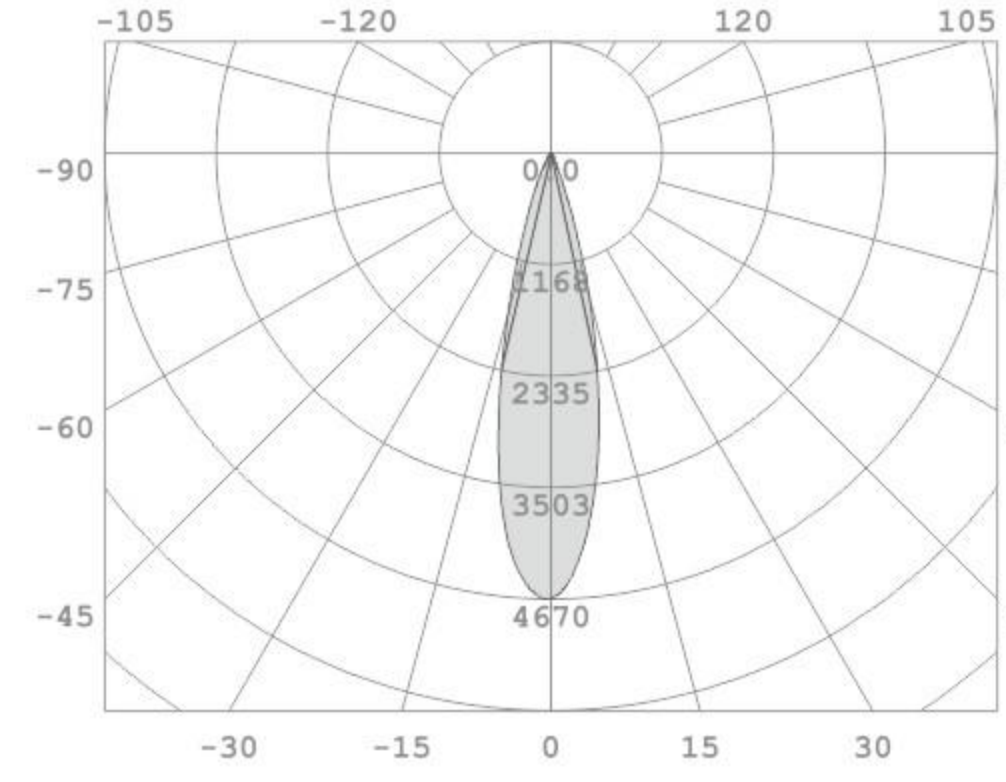
LED POWER: 18W  
 LED OUTPUT: 2140Lm  
 SYSTEM POWER: 20.7W  
 LUMINAIRE LUMEN: 1660LM/3000K  
 INPUT: 220-240VAC, 50/60Hz  
 CRI: 90  
 DIMENSION: Ø72\*96\*180mm  
 HOLE SIZE: /



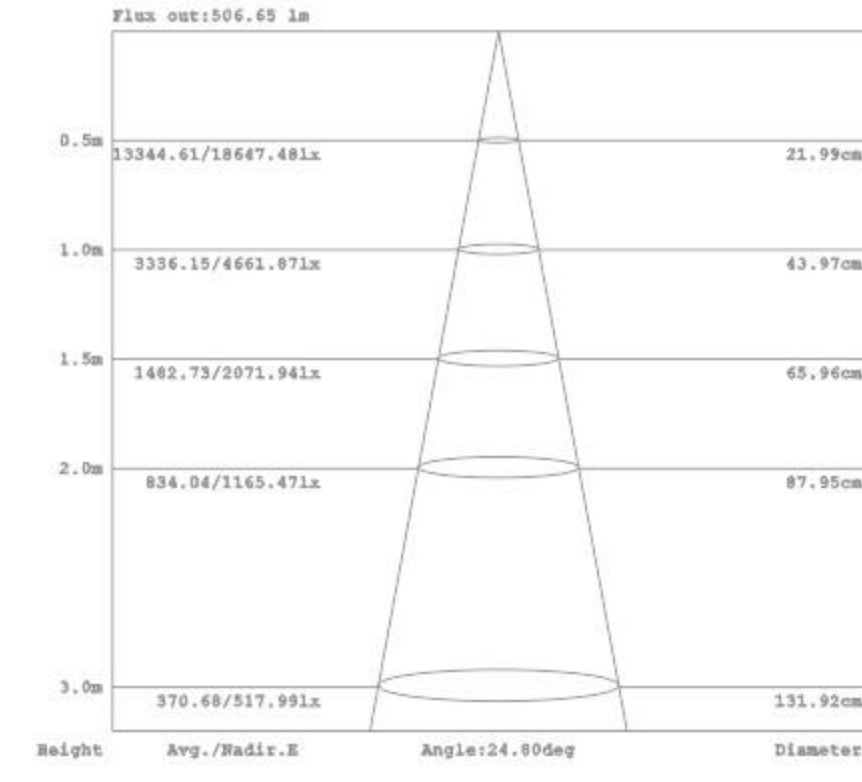
ANGLE 25°



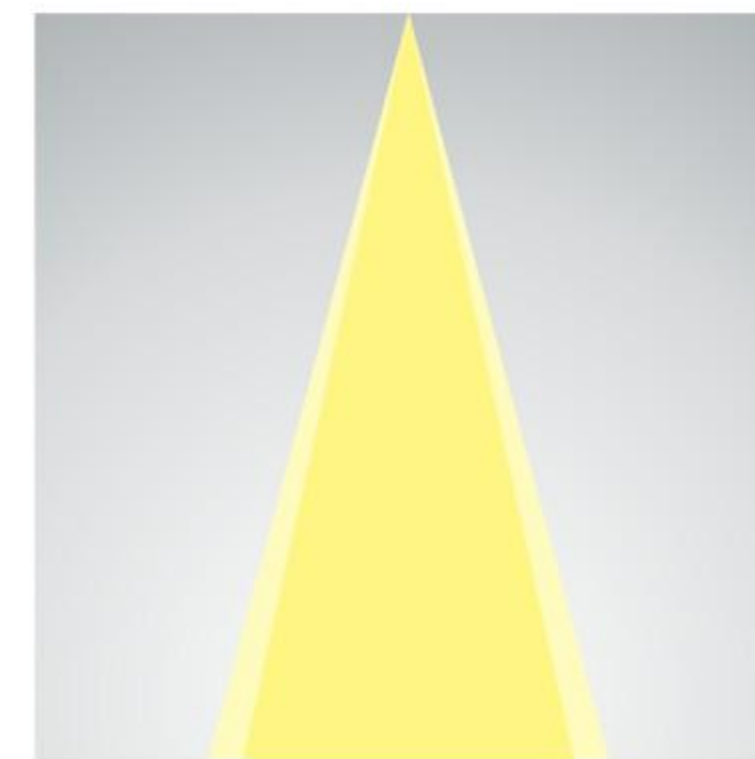
10.8W 25° 3000K



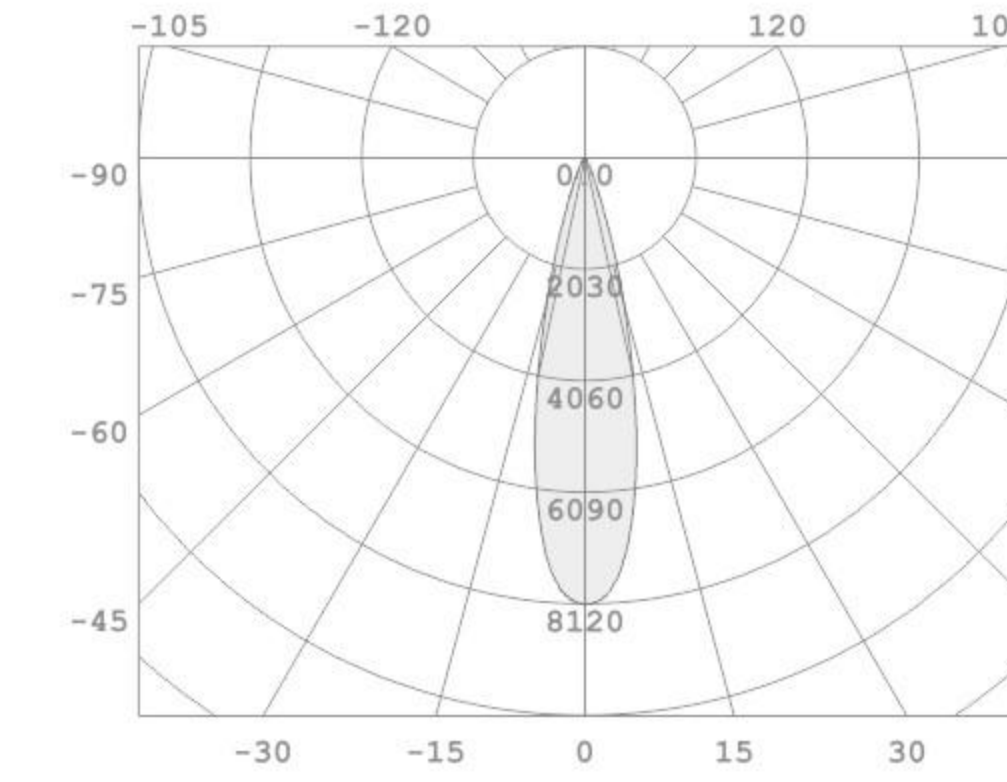
10.8W 25° 3000K



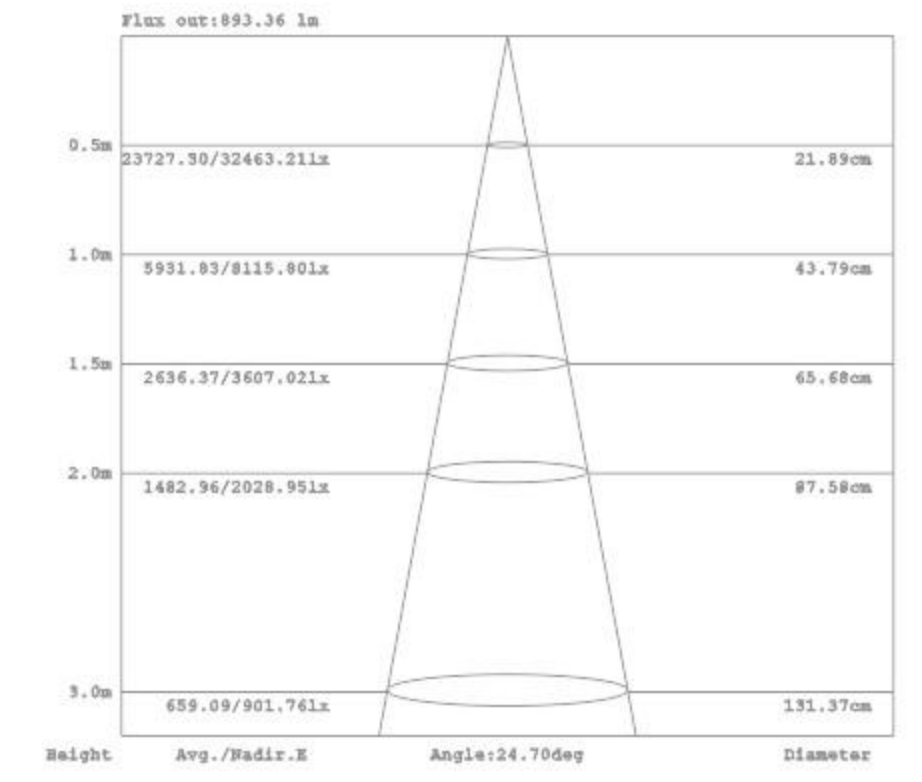
ANGLE 25°



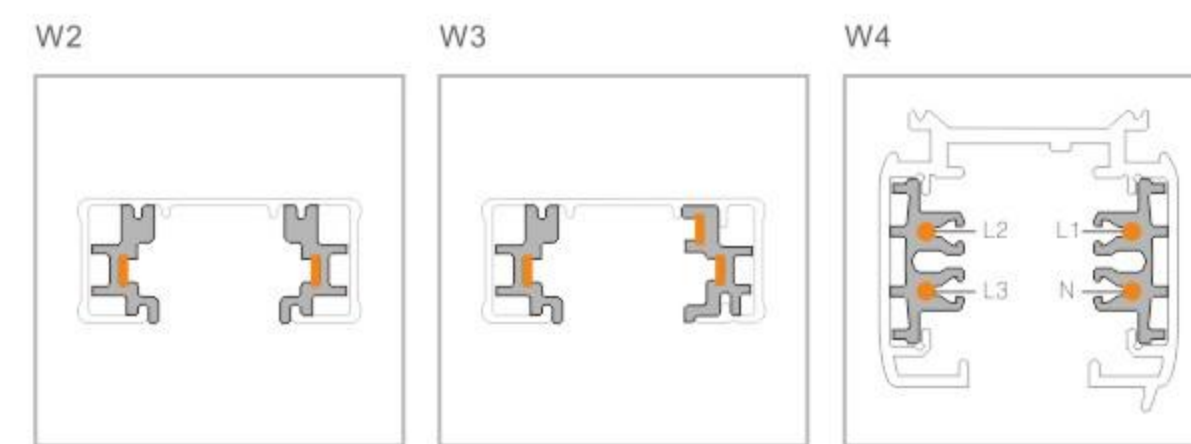
18W 25° 3000K



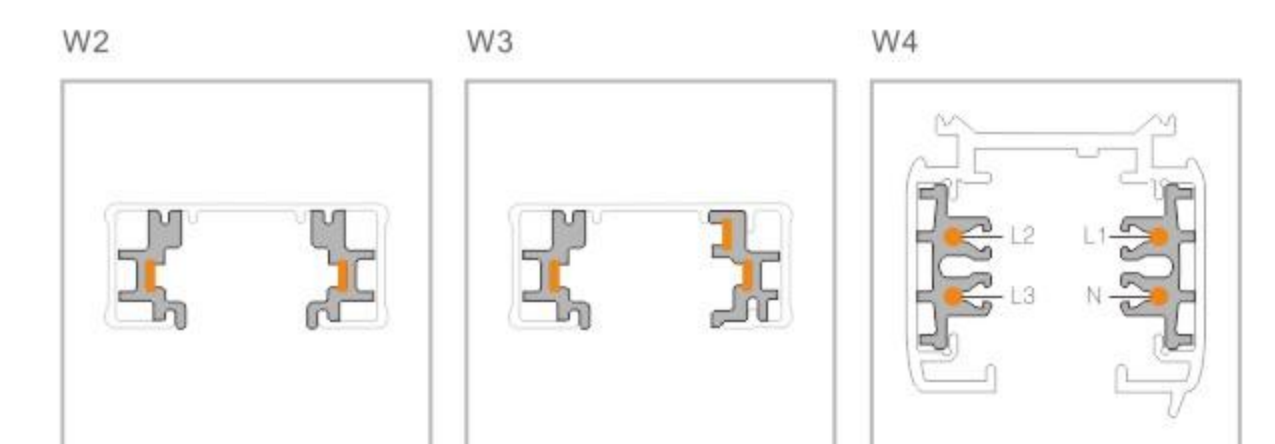
18W 25° 3000K



TRACK OPTIONS:



TRACK OPTIONS:



OPTION:

CODE	POWER	COLOR TEMP	BEAN ANGLE	CCT	DRIVER TYPE
528915	13.1W	Sandy Black/Sandy White	25°/20°/33°/41°	2700/3000/4000/3500/5000K	DX/DT/DA/ON/OFF

OPTION:

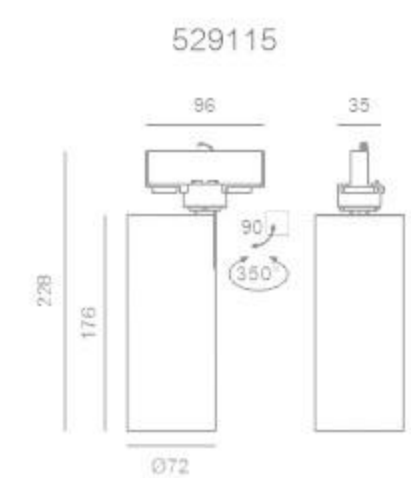
CODE	POWER	COLOR TEMP	BEAN ANGLE	CCT	DRIVER TYPE
529015	20.7W	Sandy Black/Sandy White	25°/17°/36°	2700/3000/4000/3500/5000K	DX/DT/DA/ON/OFF



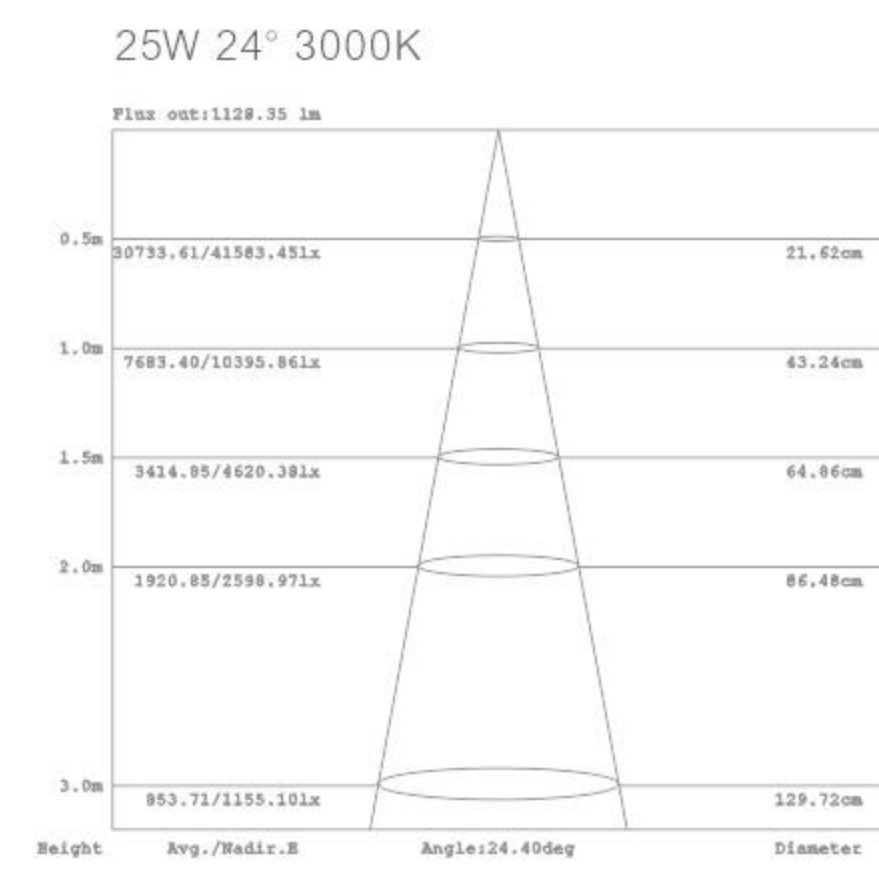
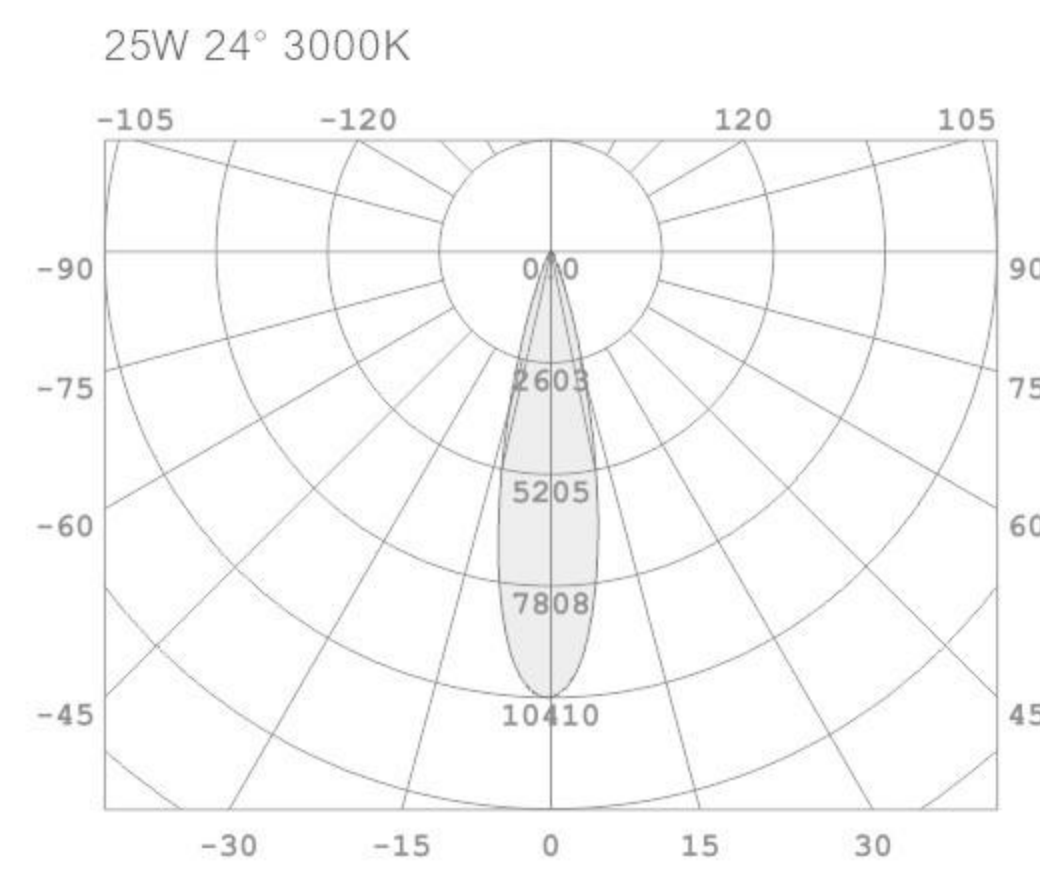
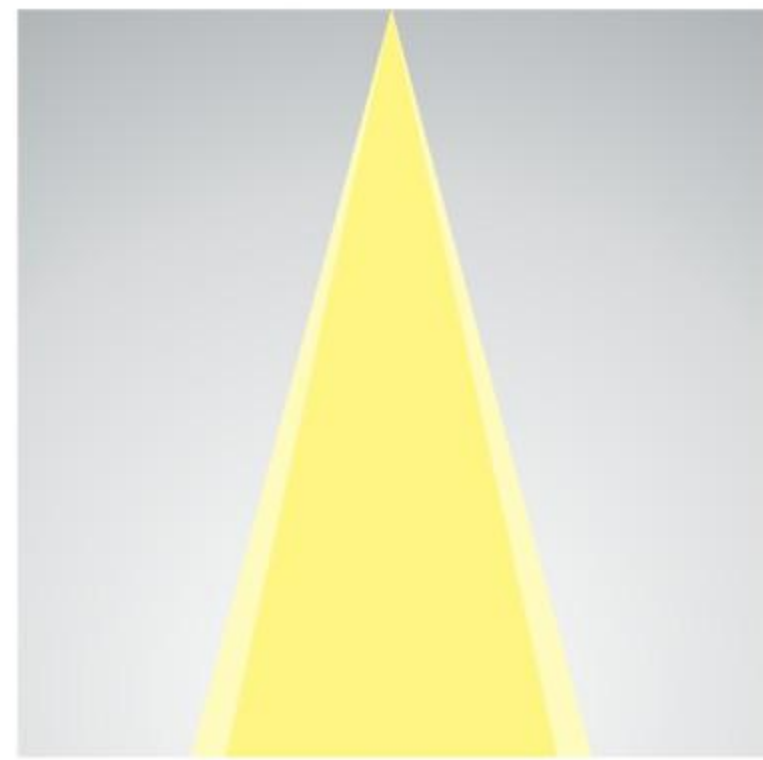
L

ORIAN T L

LED POWER: 25W  
 SYSTEM POWER: 29W  
 LUMINAIRE LUMEN: 2130LM/3000K  
 INPUT: 220-240VAC, 50/60Hz  
 CRI: 90  
 DIMENSION: Ø72\*96\*228mm  
 HOLE SIZE: /



ANGLE 24°



THE STANDARD



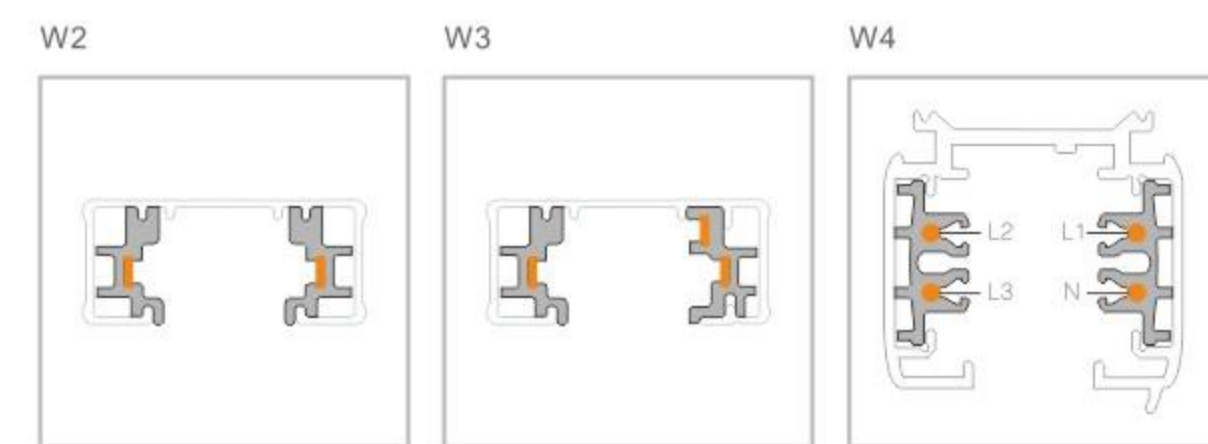
HONEYCOMB



GRIDDING GLASS

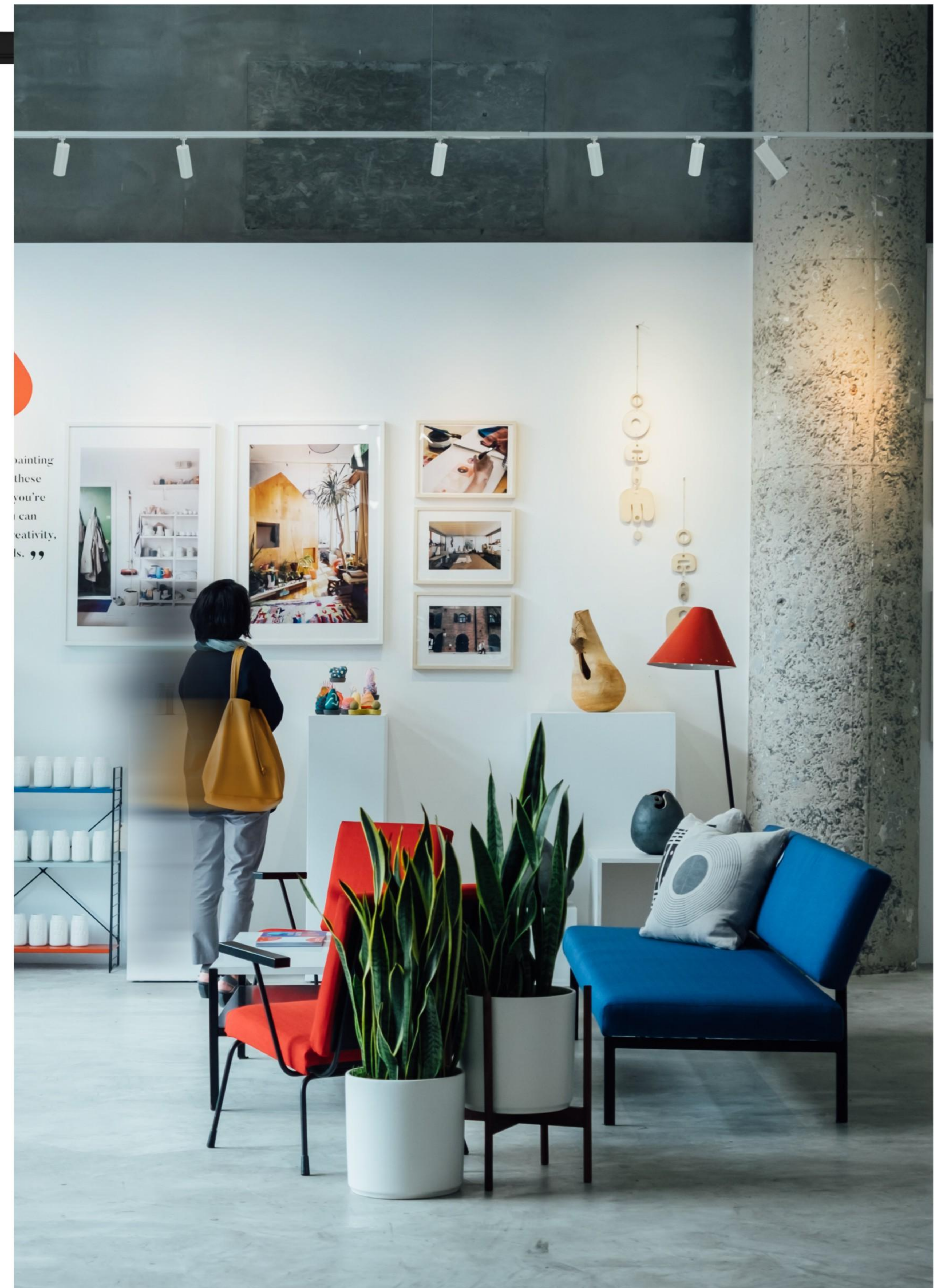


TRACK OPTIONS:



OPTION:

CODE	POWER	COLOR TEMP	BEAM ANGLE	CCT	DRIVER TYPE
529115	29W	Sandy Black/Sandy White	24°/16°/36°	2700/3000/4000/3500/5000K	DX/DT/DA/ON-OFF



## LUCA S/M (48V)

LUCA system can be described as know-how in lighting segment.

Thanks to special construction of track, LUCA can be easily cut, that is making possible to customize the track length in accordance with the project requirement.

LUCA has two sizes, S and M.

LUCA with its recessed, surfaced mounted and pendant versions can be used for many different applications.

Great variety of lamps' designs can be perfectly combined together to create amazing lighting patterns, moving from the wall to the ceiling and back.

As long as flexible connector makes it easy to adjust the angle according to the project requirement.

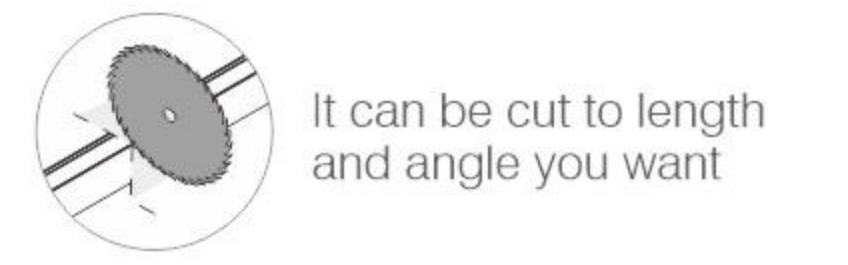
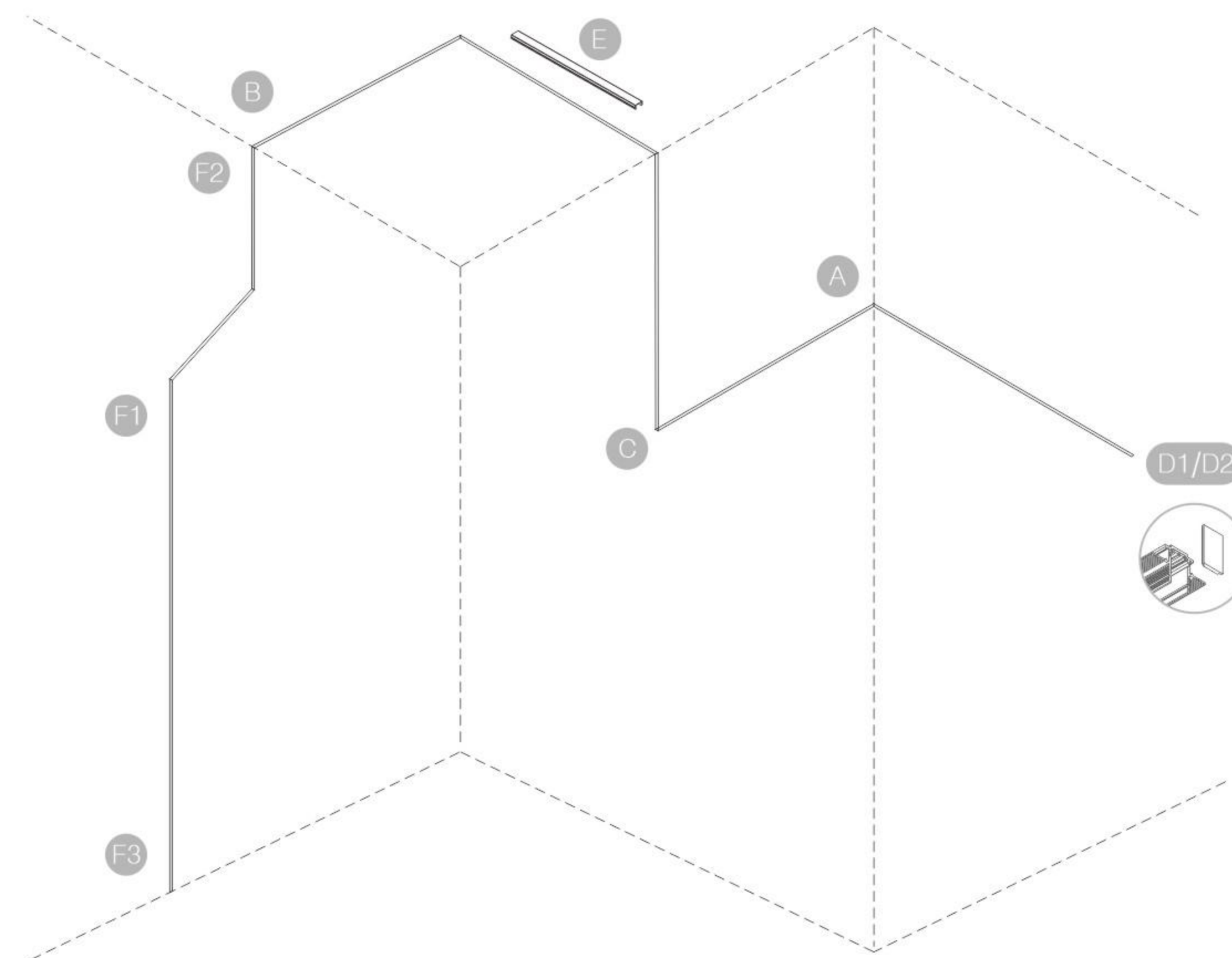
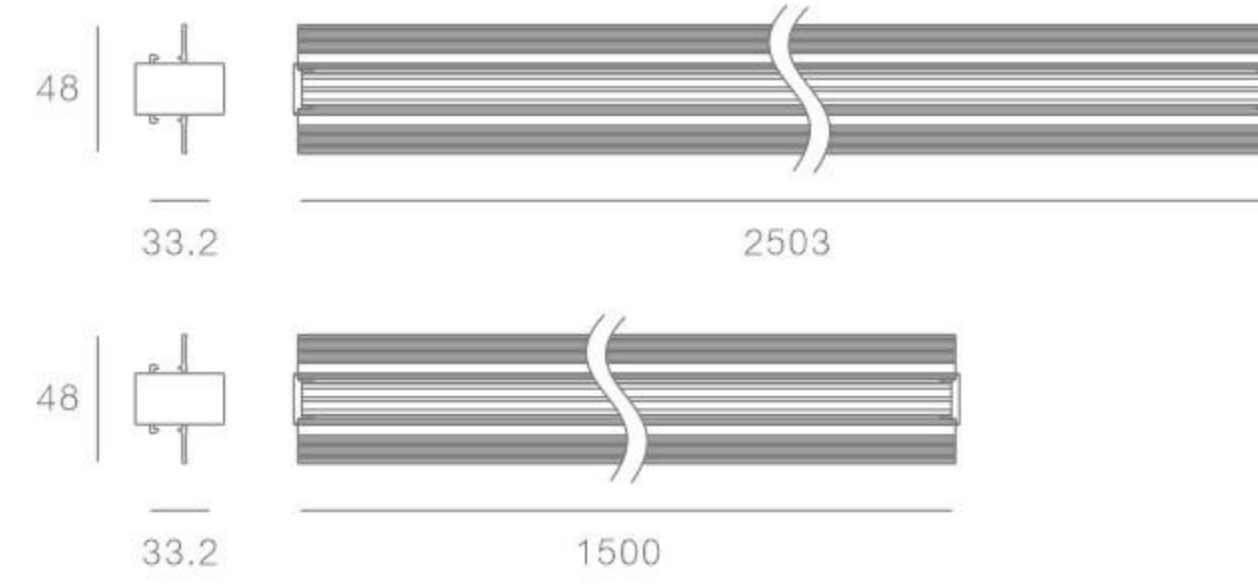
CCC CE IP20 48VAC





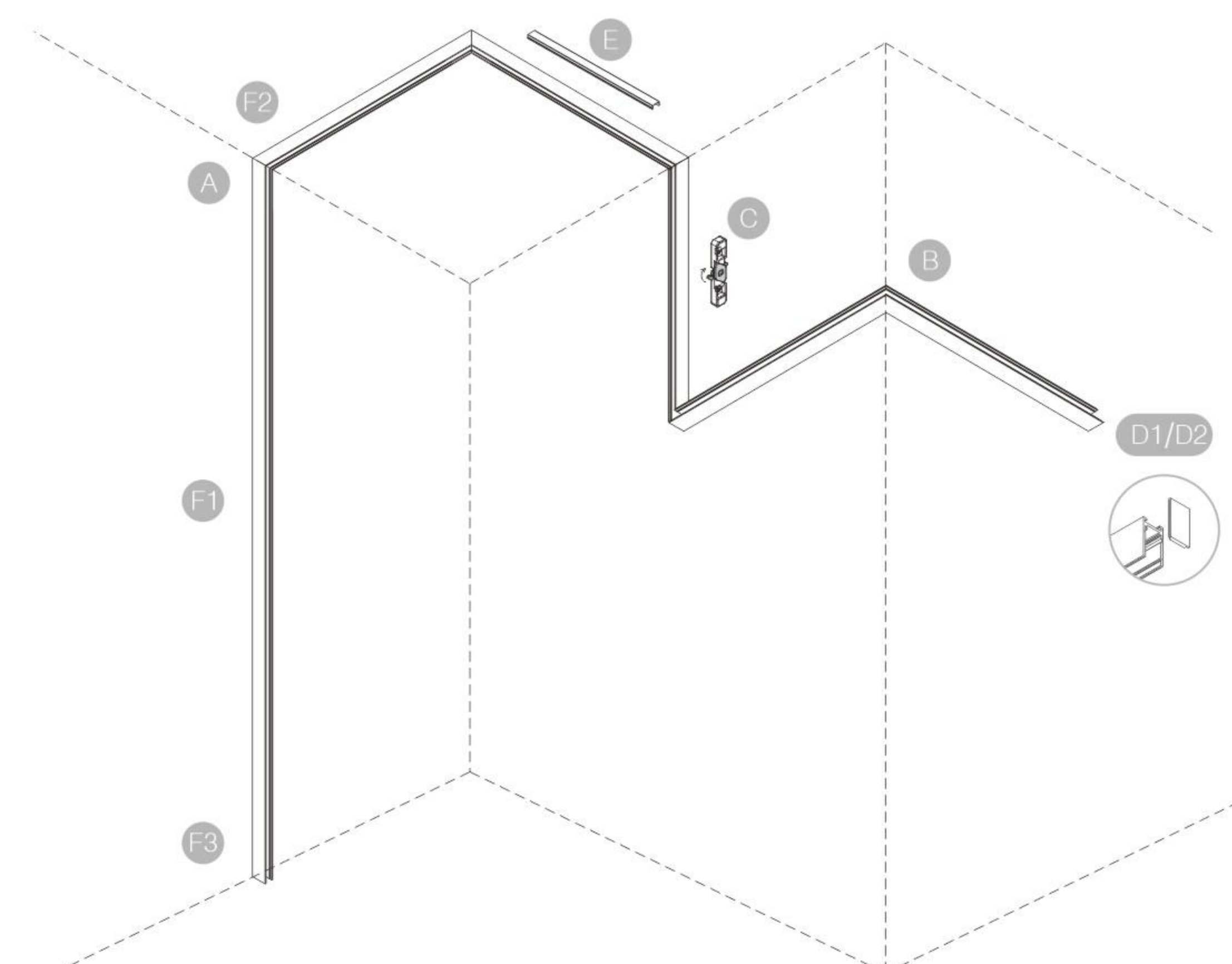
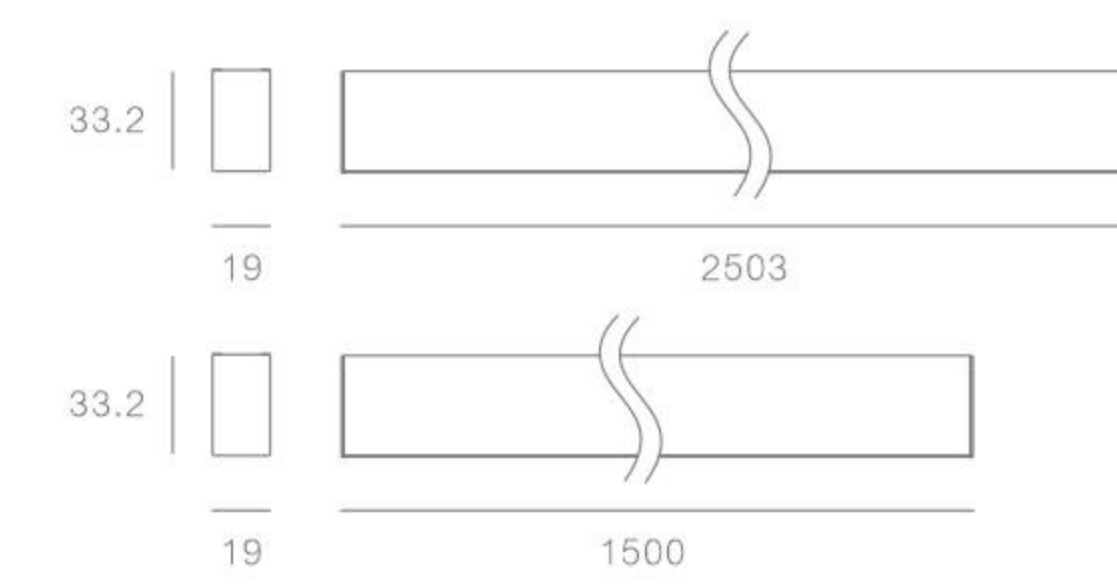
002205

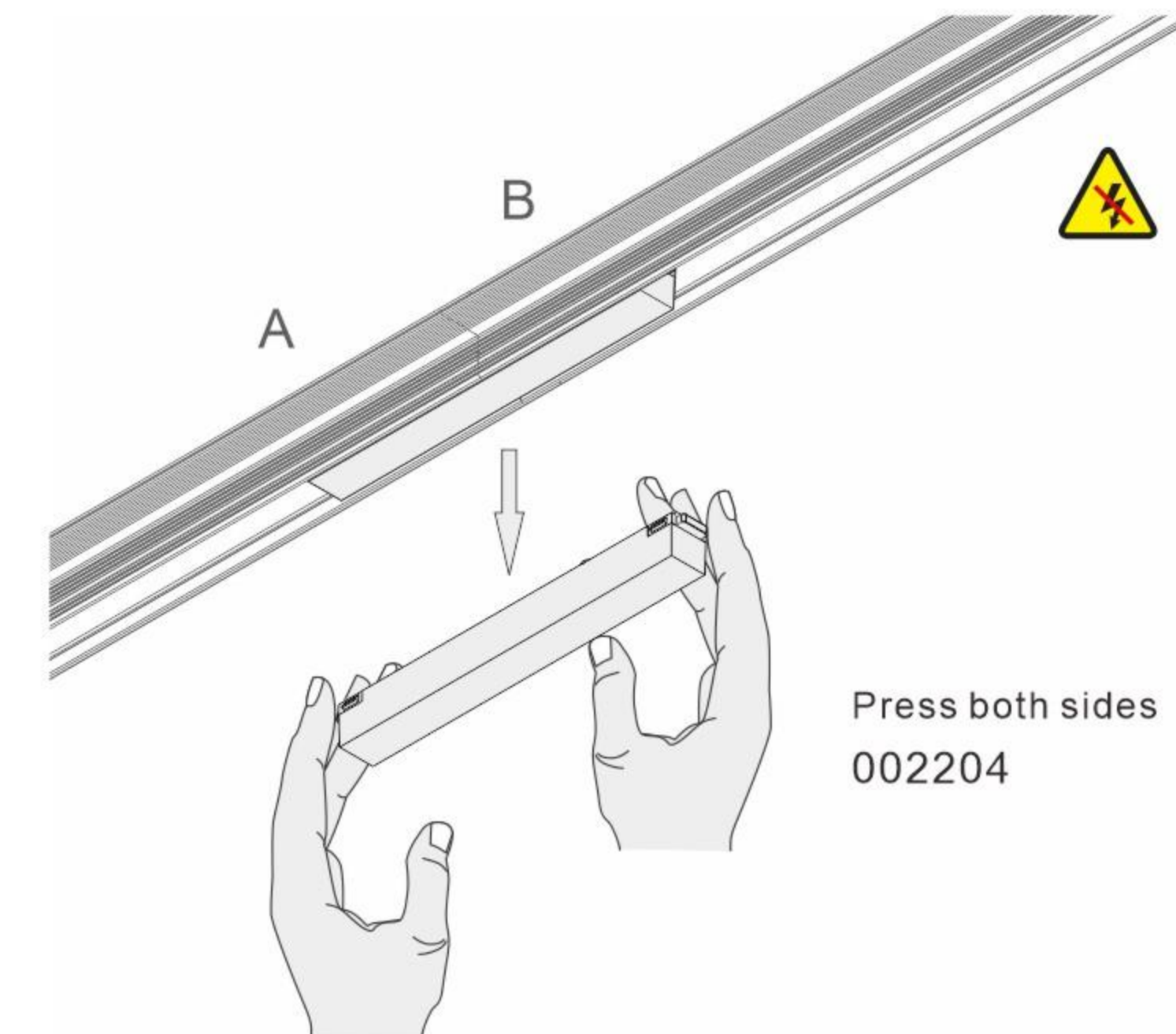
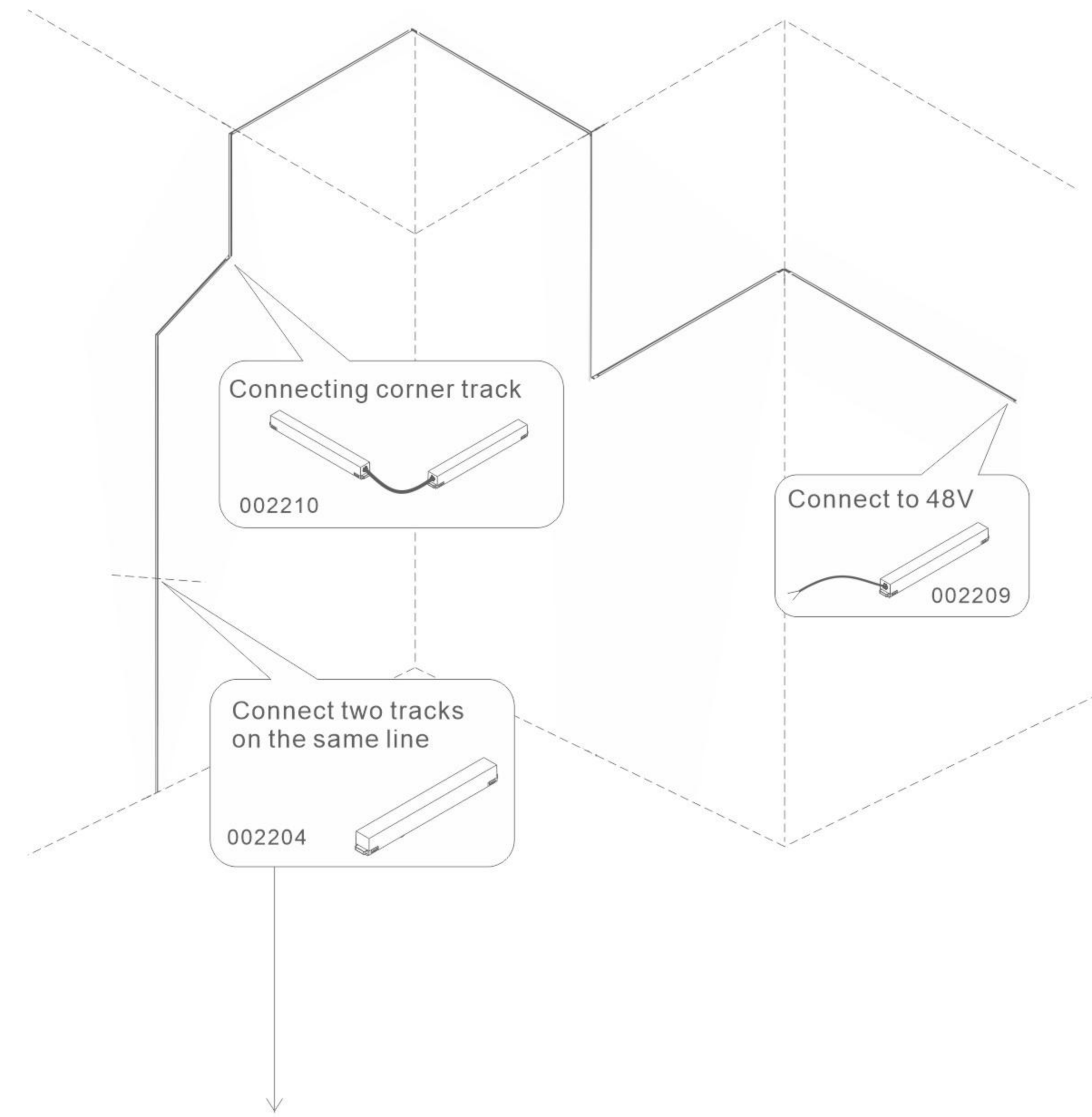
S L 2500 48V

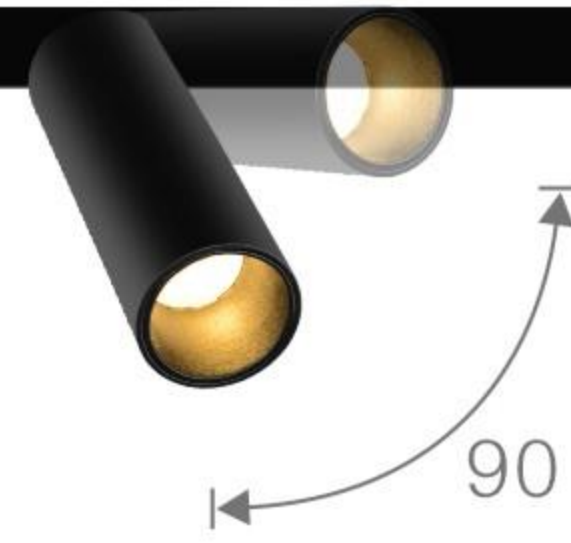


002206

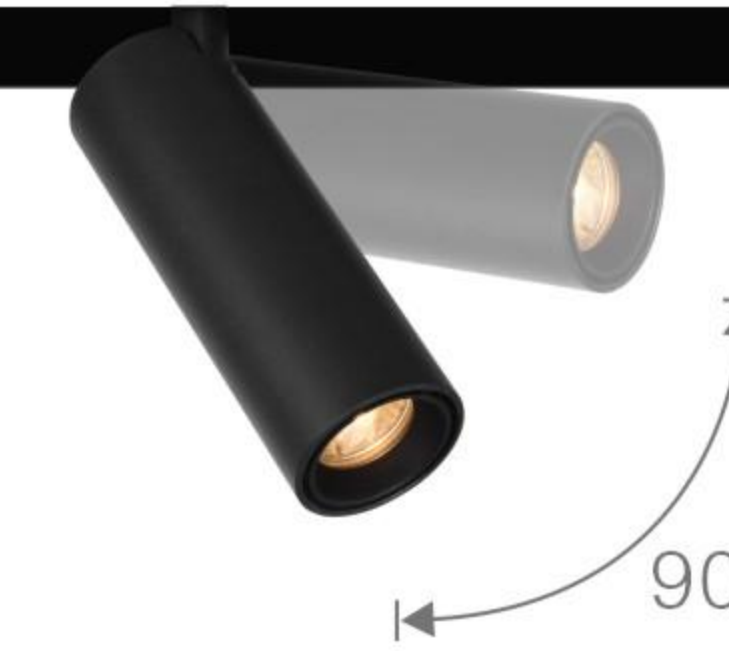
S ON L 2500 48V







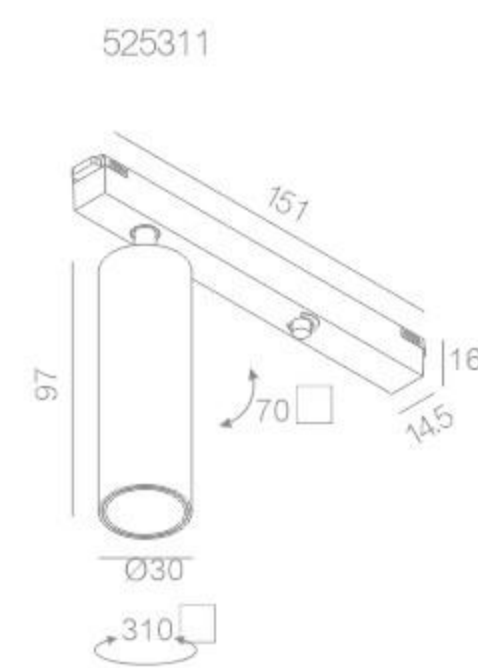
ARCA KS SPOT 7 DIM



ARCA KS SPOT 12 DIM

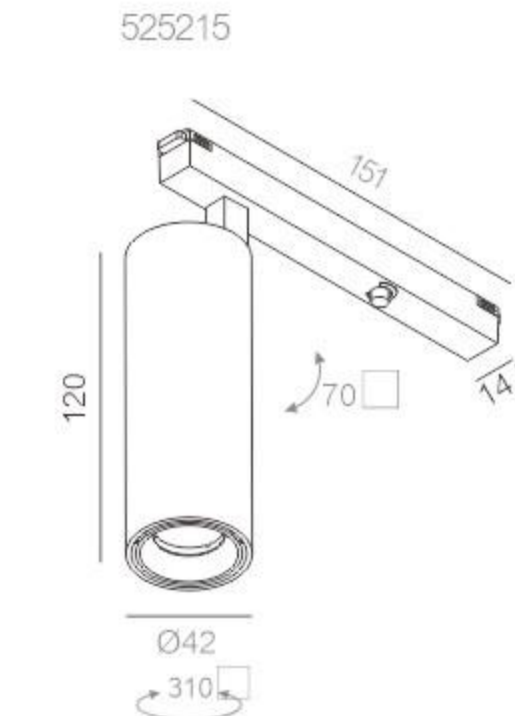
ARCA KS SPOT 7 DIM

LED POWER: 5.4W  
 LED LUMEN: 569LM/3000K  
 SYSTEM POWER: 6.5W  
 LUMINAIRE LUMEN: 380LM/3000K  
 INPUT: 48V DC  
 CRI: 90  
 DIMENSION:  $\varnothing 30 \times 125 \times 151$ mm  
 HOLE SIZE: /

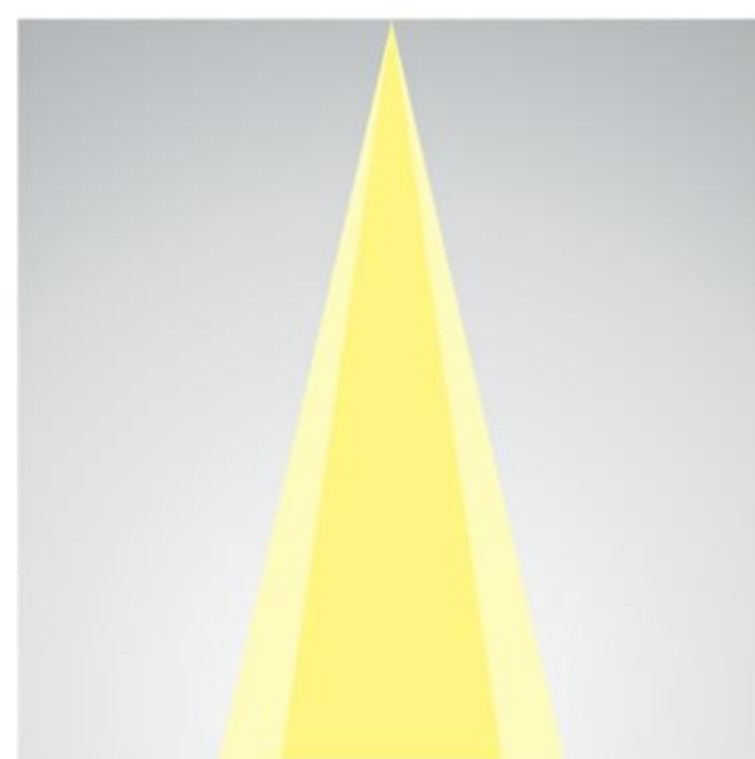


ARCA KS SPOT 12 DIM

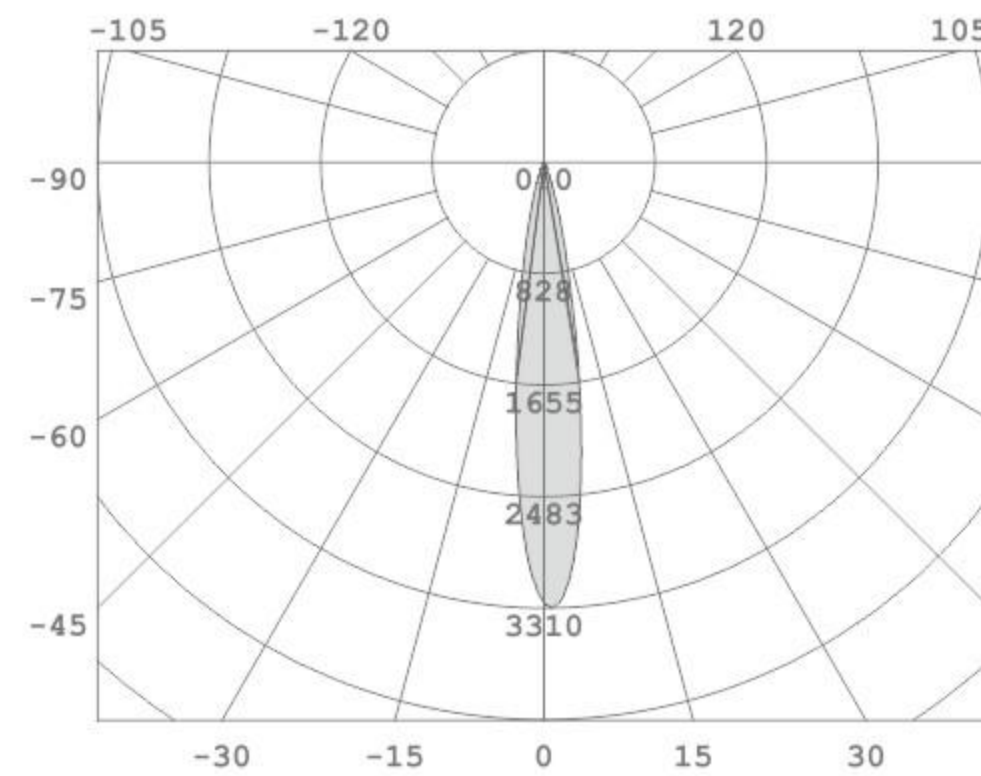
LED POWER: 10.8W  
 LED OUTPUT: 999LM/3000K  
 SYSTEM POWER: 11.5W  
 LUMINAIRE LUMEN: 684LM/3000K  
 INPUT: 48V DC  
 CRI: 90  
 DIMENSION:  $\varnothing 42 \times 162 \times 151$ mm  
 HOLE SIZE: /



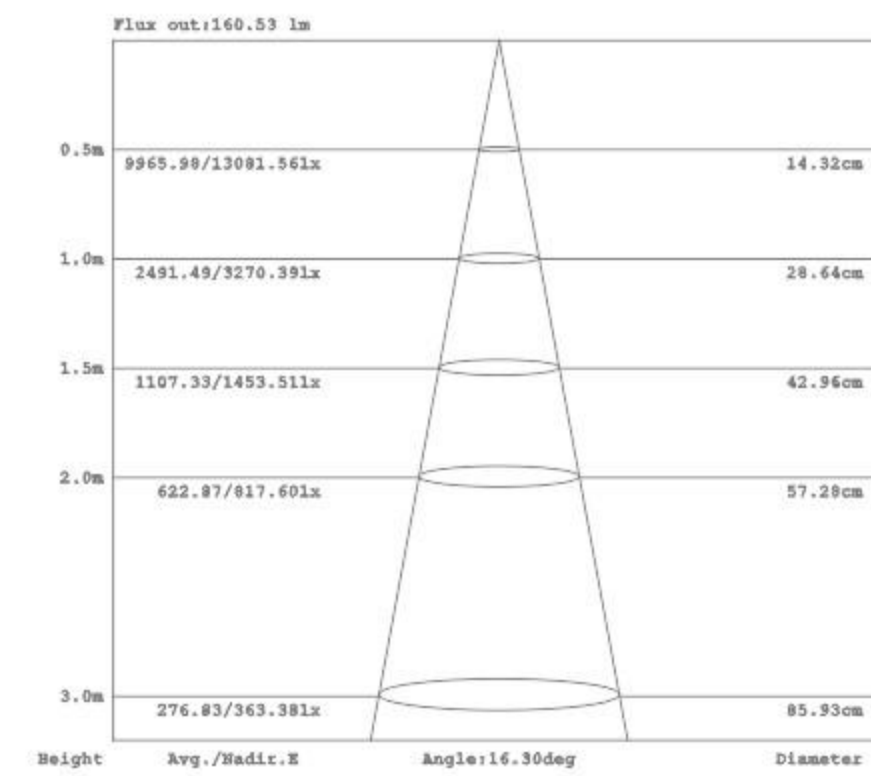
ANGLE 14



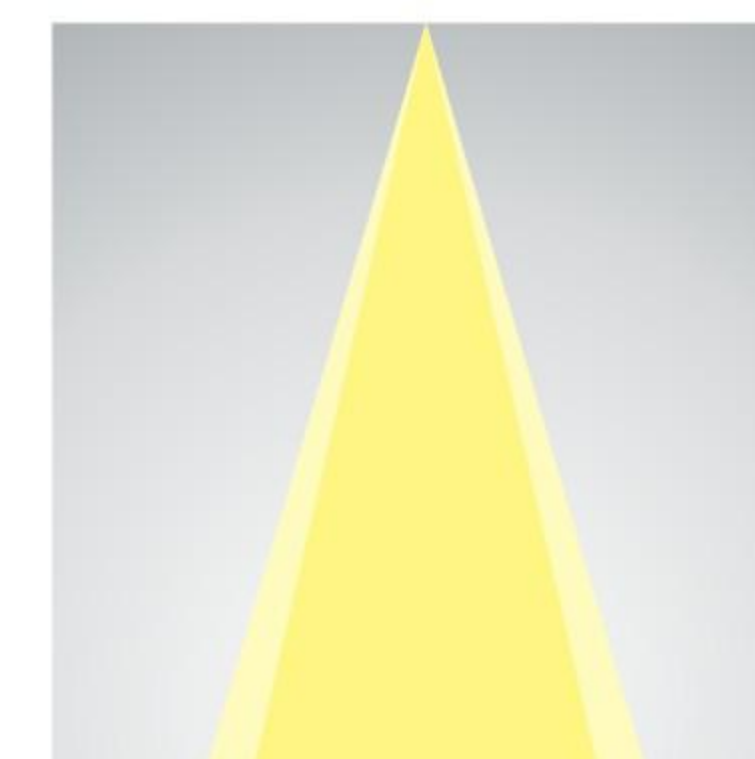
6.5W 14 3000K



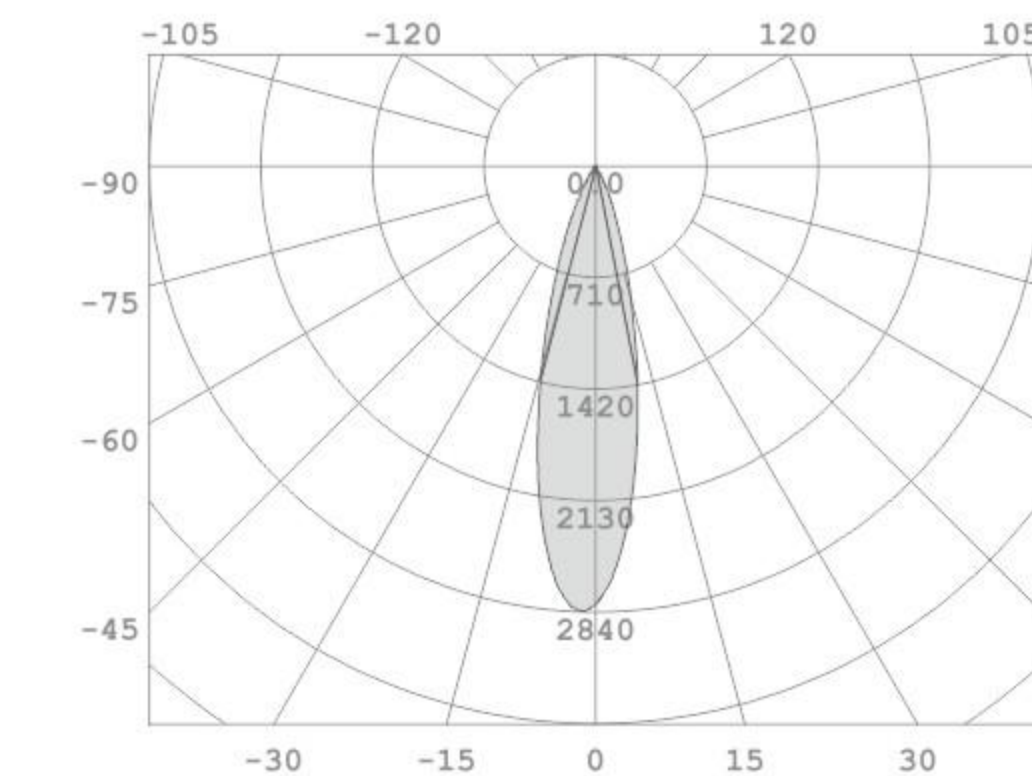
6.5W 14 3000K



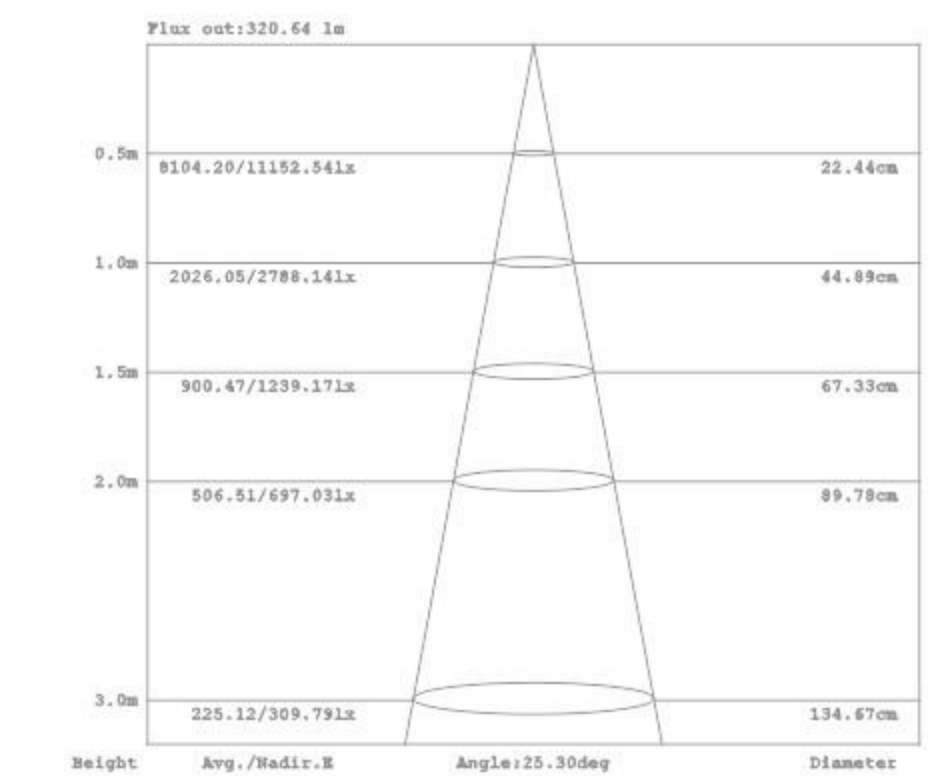
ANGLE 26



11.5W 26 3000K



11.5W 26 3000K



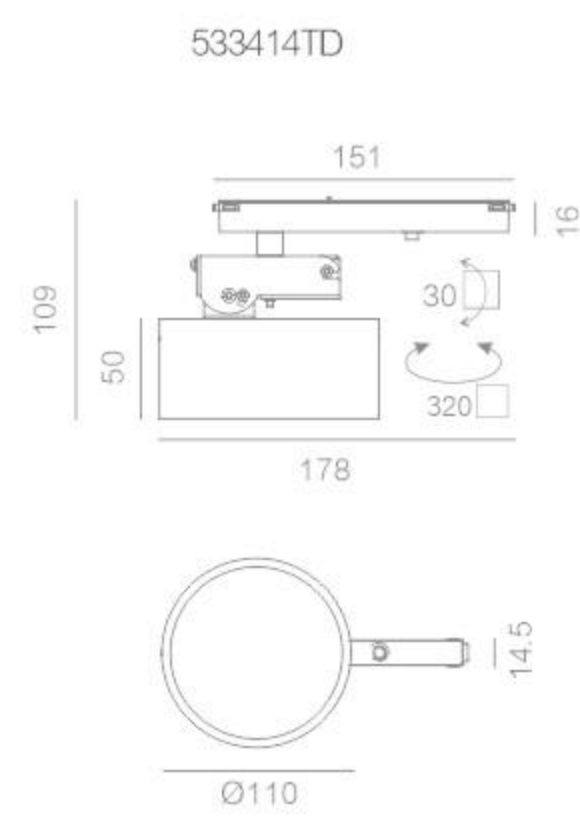


DOMO KS 11

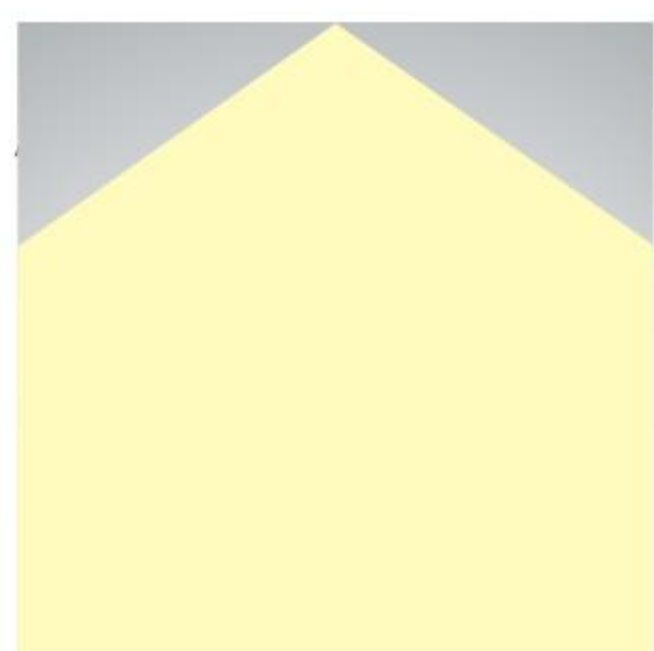


DOMO KS 16

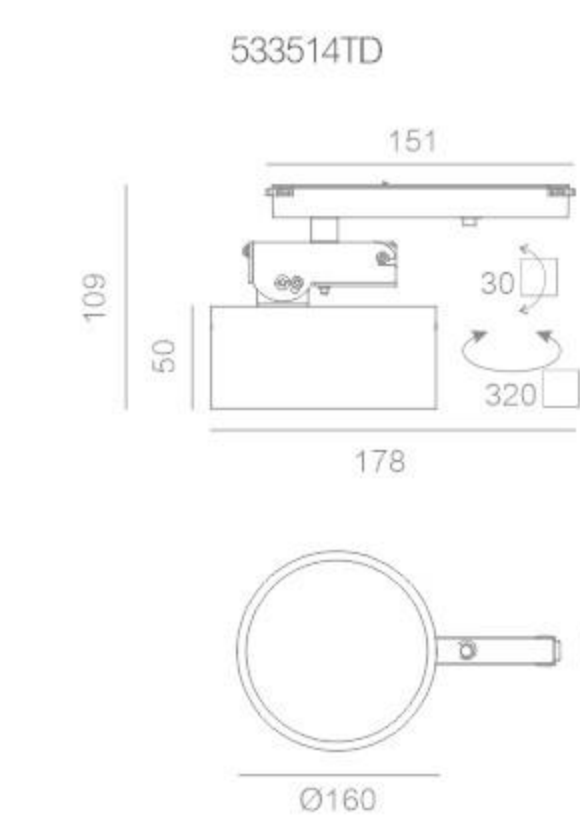
DOMO KS 11   
 LED POWER: 5.2W  
 LED LUMEN: 664LM/3000K  
 LUMINAIRE LUMEN: 398LM/3000K  
 INPUT: 48V DC  
 CRI: 80  
 DIMENSION: Ø110\*50\*109mm  
 HOLE SIZE: /



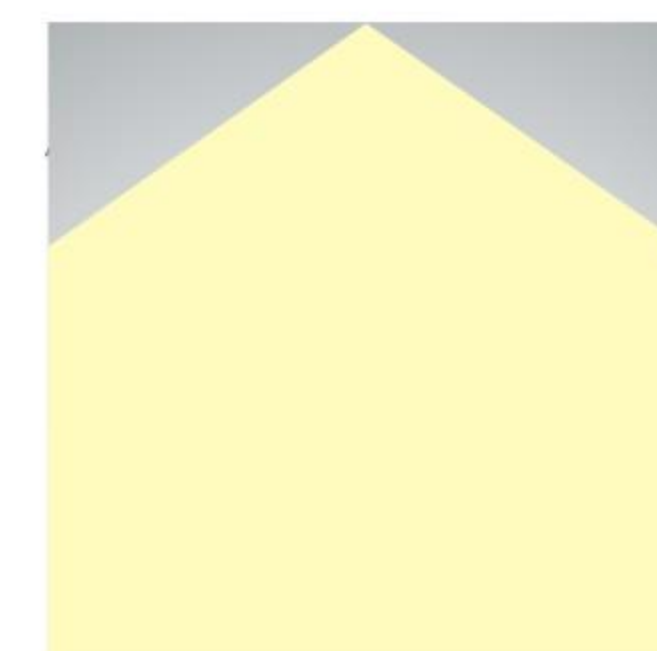
ANGLE L



DOMO KS 16   
 LED POWER: 9W  
 LED LUMEN: 1270LM/3000K  
 LUMINAIRE LUMEN: 740LM/3000K  
 INPUT: 48V DC  
 CRI: 80  
 DIMENSION: Ø160\*50\*109mm  
 HOLE SIZE: /



ANGLE L



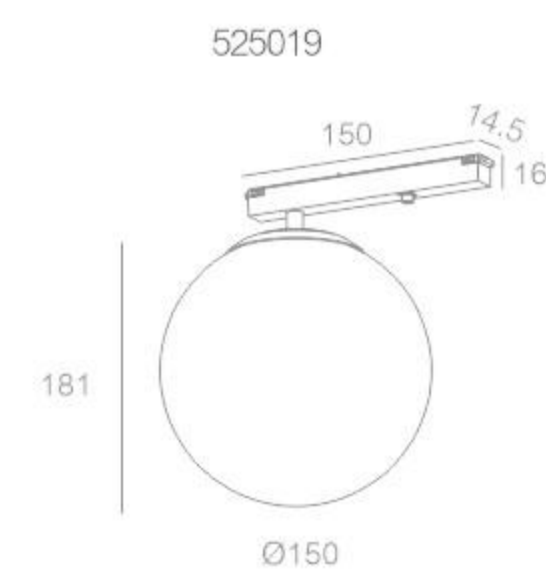


ELF KS

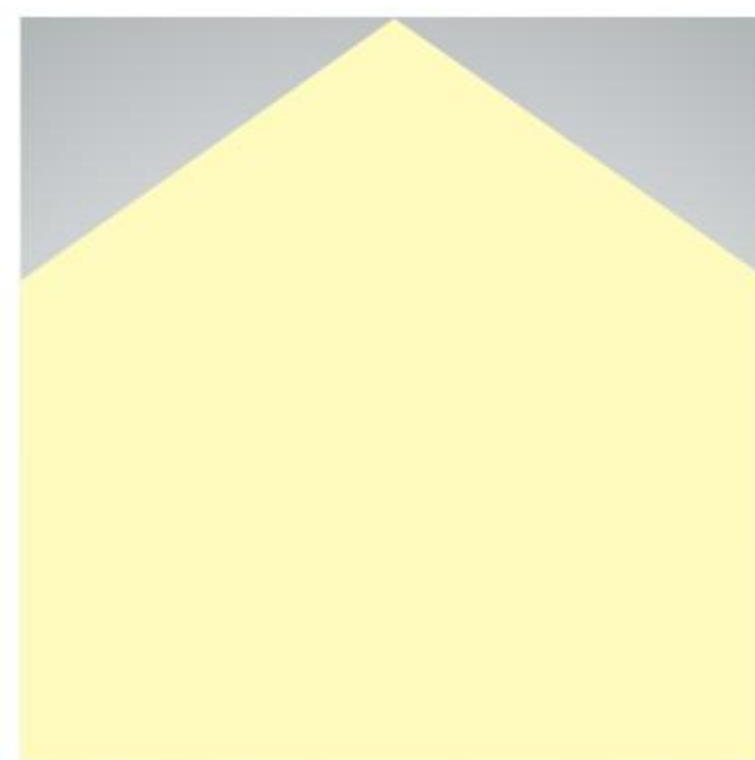


FAVOR KS S

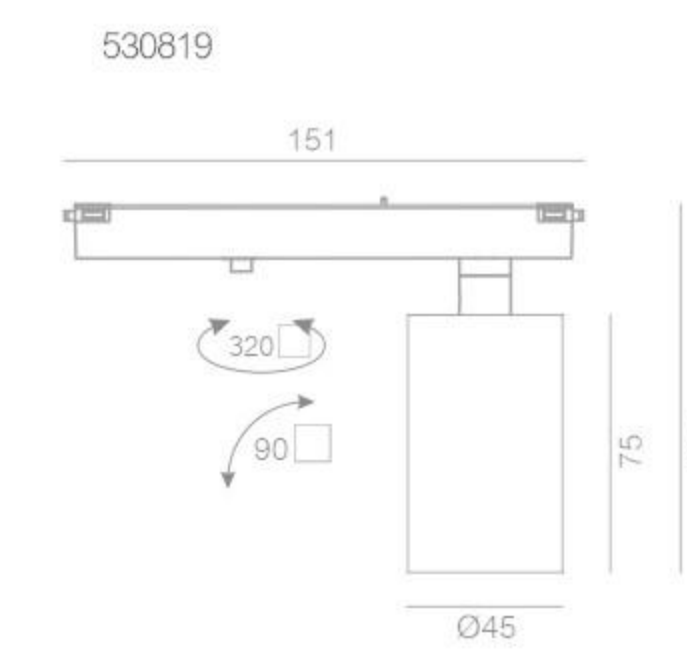
ELF KS   
 LED POWER: 6W  
 LED LUMEN: 549LM/3000K  
 LUMINAIRE LUMEN: 421LM/3000K  
 INPUT: 48V DC  
 CRI: 90  
 DIMENSION: 197\*150\*181mm  
 HOLE SIZE: /



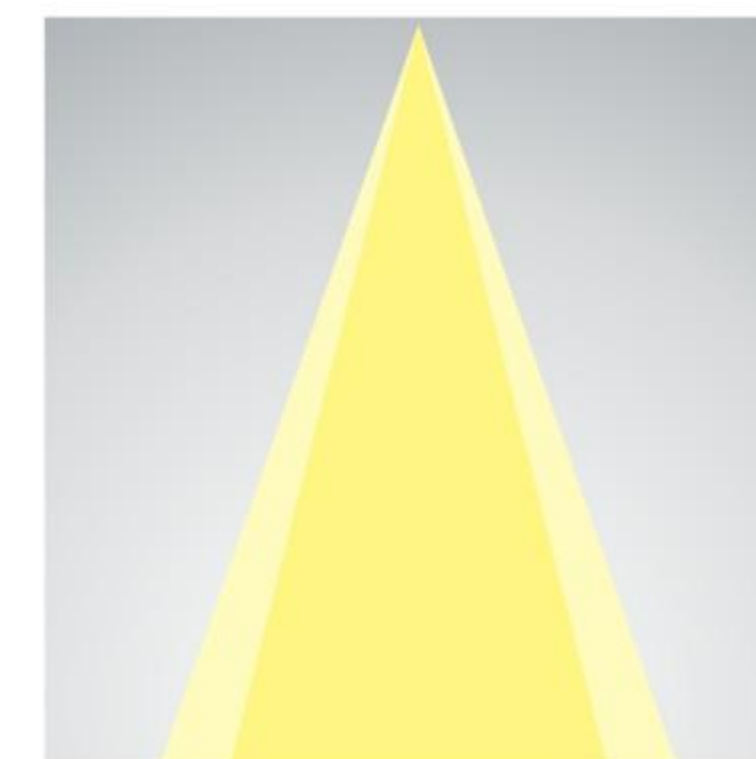
ANGLE L



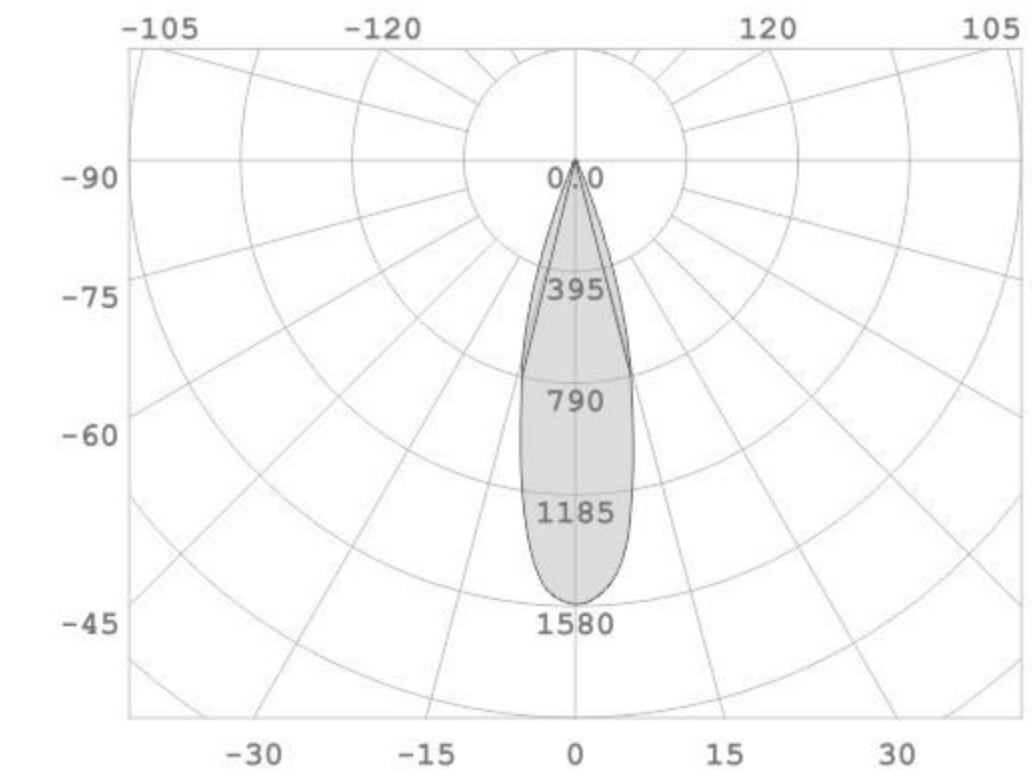
FAVOR KS S   
 LED POWER: 9.5W  
 LED LUMEN: 957LM/3000K  
 SYSTEM POWER: 9.6W  
 LUMINAIRE LUMEN: 388LM/3000K  
 INPUT: 48V DC  
 CRI: 90  
 DIMENSION: Ø45\*75\*151mm  
 HOLE SIZE: /



ANGLE 28°



9.5W 28° 3000K



9.5W 28° 3000K

Height	Ang./Beam Size	Angle/Beam Size	Diameter
0.5m	4577.14/6289.47lx		25.21mm
1.0m	1144.29/1572.37lx		50.42mm
1.5m	508.97/698.83lx		75.63mm
2.0m	286.07/395.01lx		100.84mm
3.0m	127.14/174.71lx		151.27mm

OTHER VERSIONS:



19°  
 For more information, please visit our website or contact our sales representative

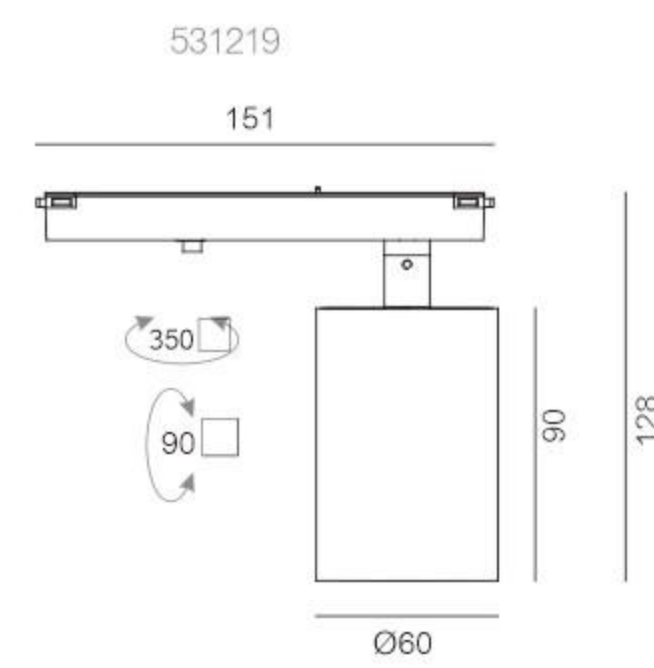


FAVOR<sub>KS M</sub>

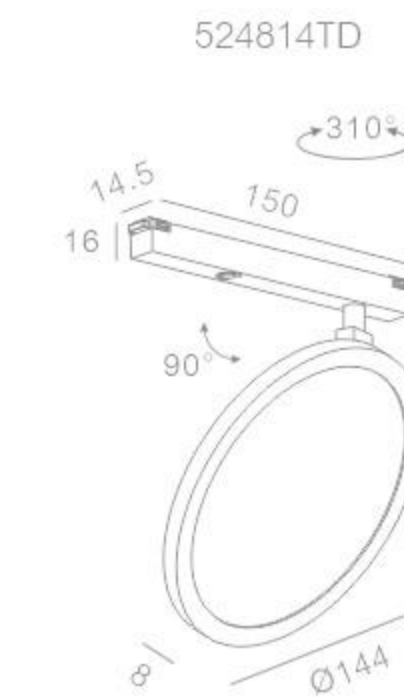


FLAT<sub>KS</sub>

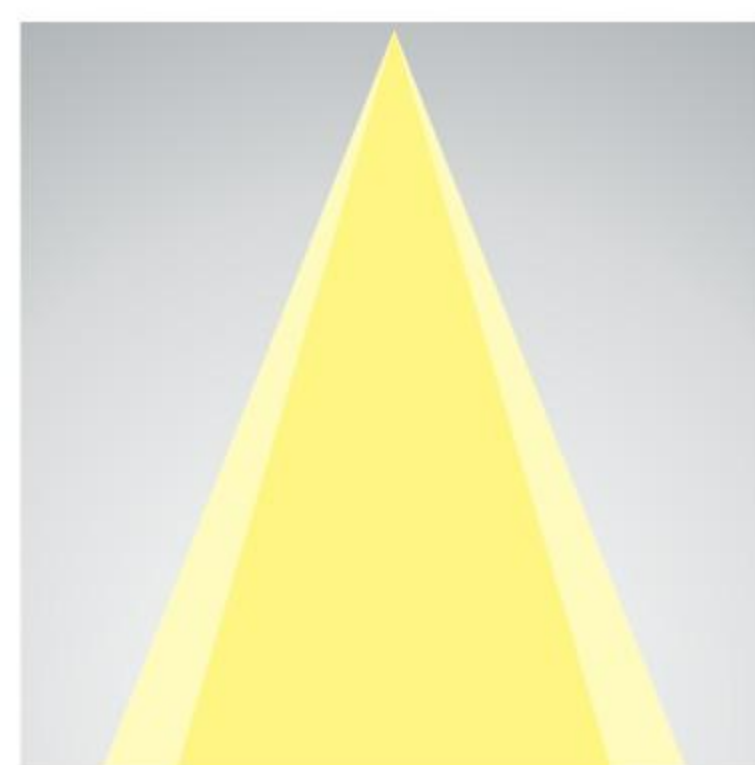
FAVOR<sub>KS M</sub>   
 LED POWER: 13.9W  
 LED LUMEN: 1465LM/3000K  
 SYSTEM POWER: 13.8W  
 LUMINAIRE LUMEN: 537LM/3000K  
 INPUT: 48V DC  
 CRI: 90  
 DIMENSION: Ø60\*90\*151mm  
 HOLE SIZE: /



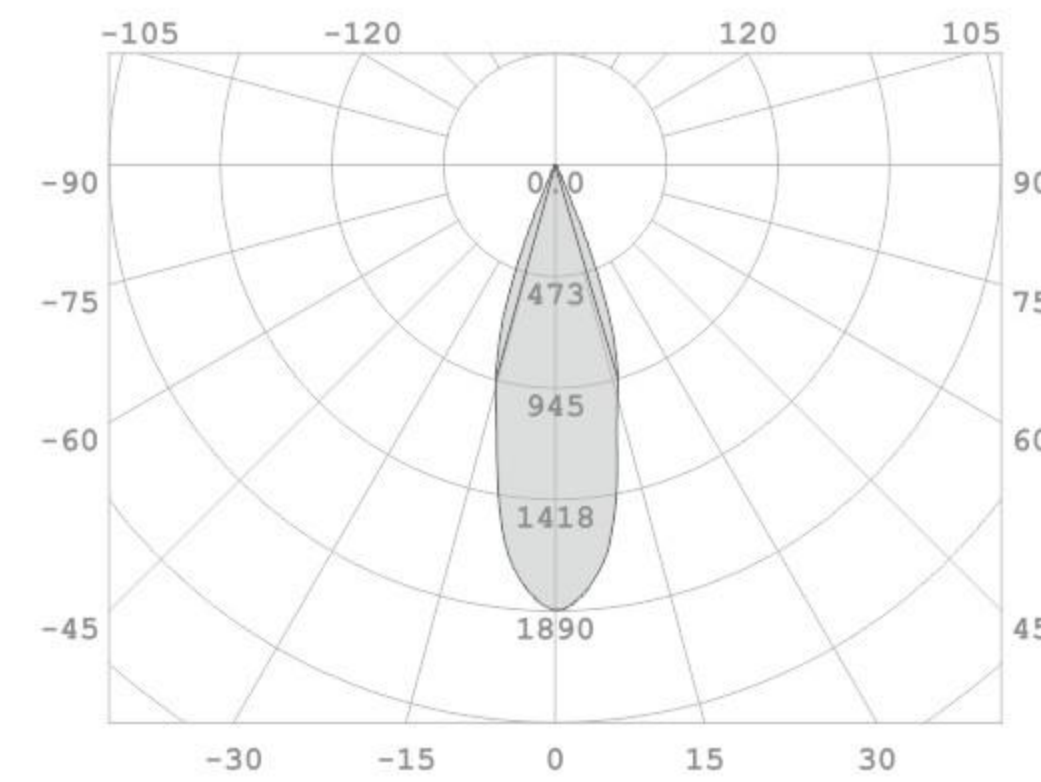
FLAT<sub>KS</sub>   
 LED POWER: 11.2W  
 LED LUMEN: /  
 LUMINAIRE LUMEN: 611LM/3000K  
 INPUT: 48V DC  
 CRI: 90  
 DIMENSION: Ø144\*151\*51mm  
 HOLE SIZE: /



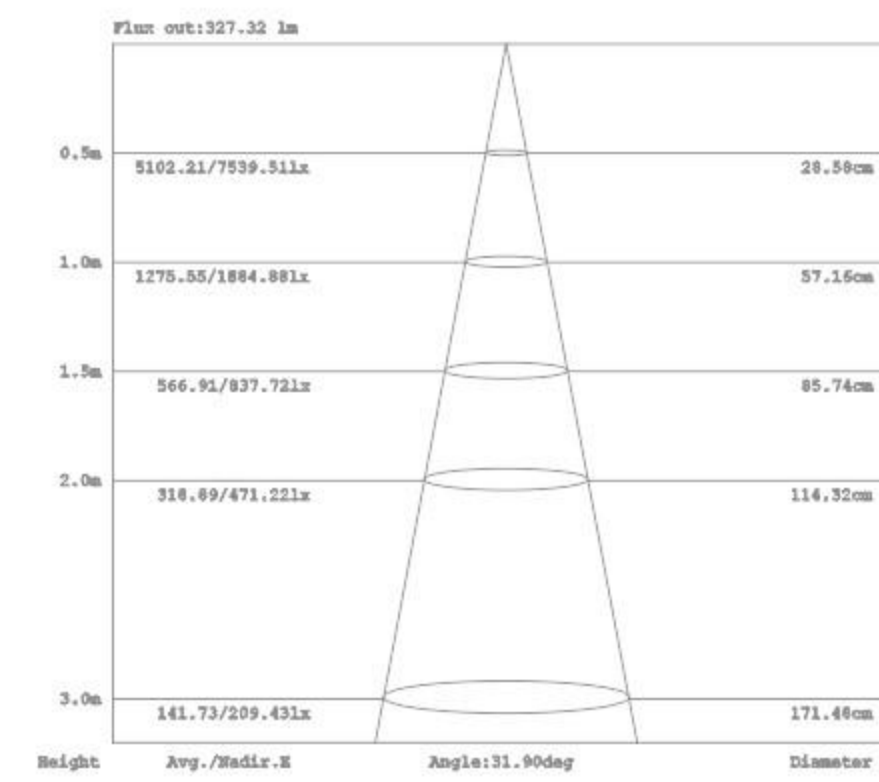
ANGLE 32 



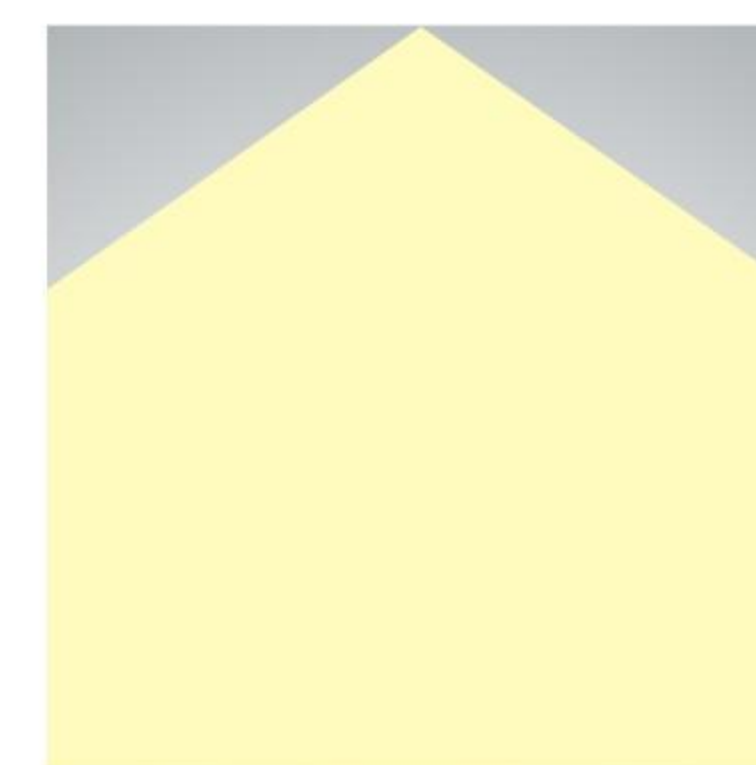
13.9W 32  3000K



13.9W 32  3000K



ANGLE L



OTHER VERSIONS:



18°

For more information, please visit our website or contact our sales representative



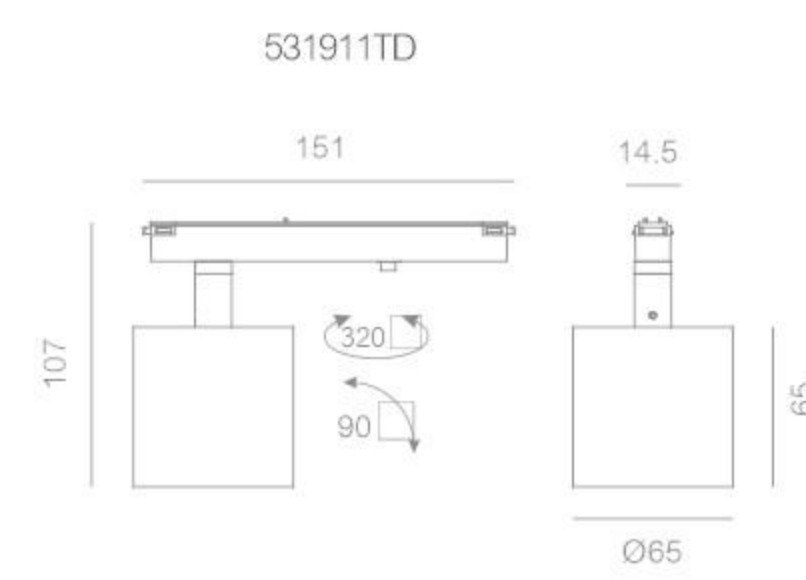
HUNTER KS M



TURN KS MINI

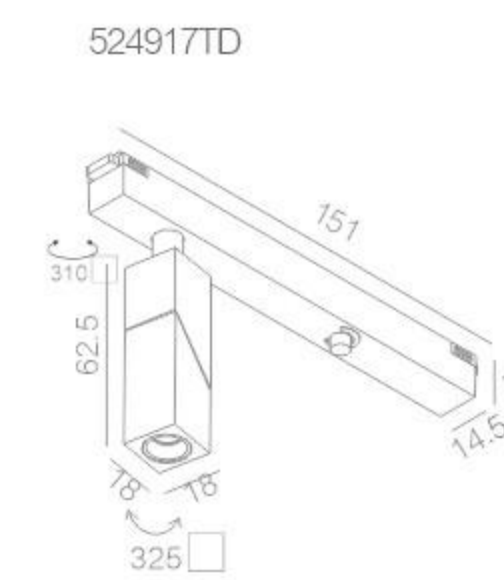
HUNTER KS M

LED POWER: 8.2W  
 LED LUMEN: 756LM/3000K  
 SYSTEM POWER: 9.2W  
 LUMINAIRE LUMEN: 466LM/3000K  
 INPUT: 48V DC  
 CRI: 90  
 DIMENSION: Ø65\*65mm  
 HOLE SIZE: /

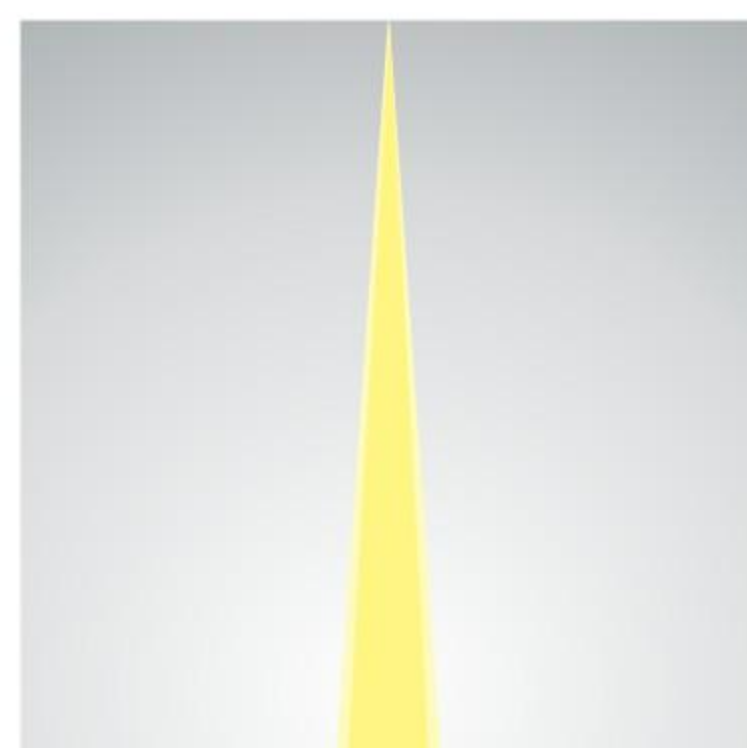


TURN KS MINI

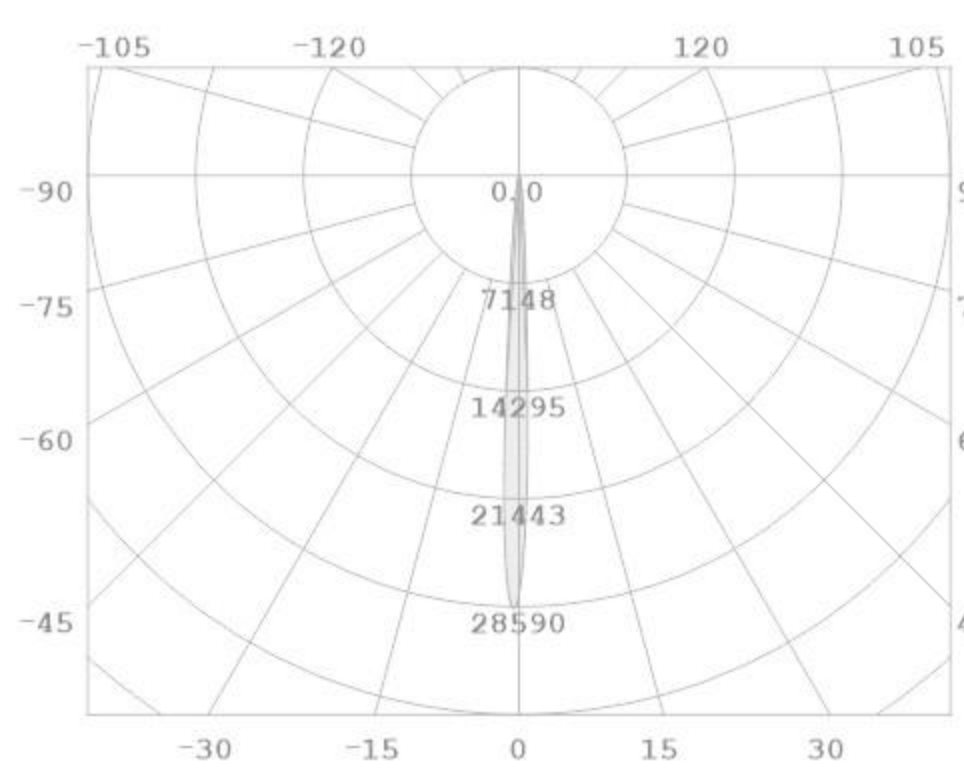
LED POWER: 0.95W  
 SYSTEM POWER: 1.2W  
 LUMINAIRE LUMEN: 77LM/3000K  
 INPUT: 48V DC  
 CRI: 90  
 DIMENSION: Ø15\*18\*90mm  
 HOLE SIZE: /



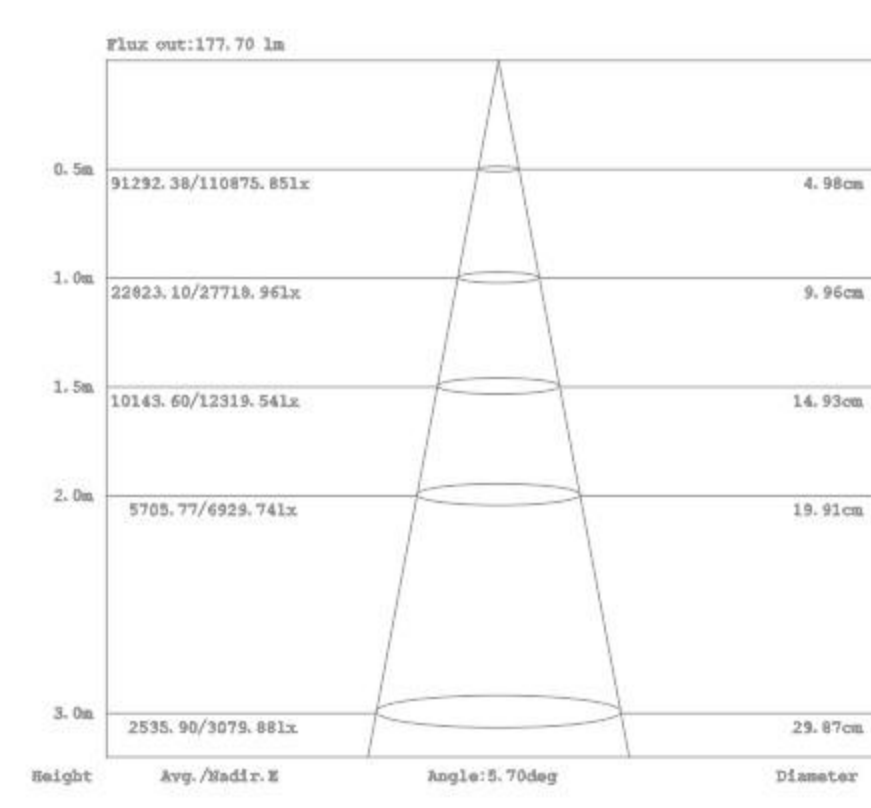
ANGLE 6°



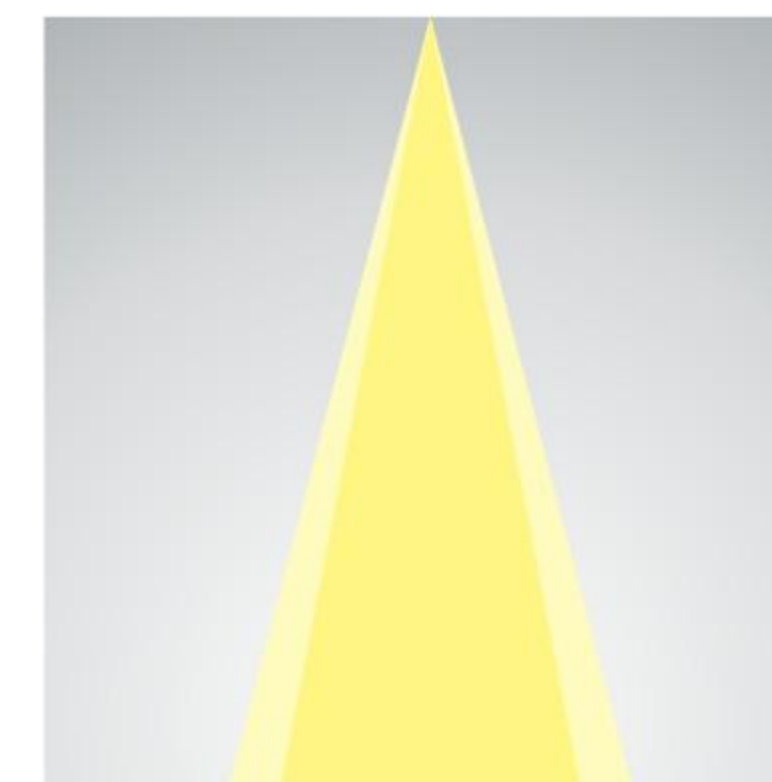
8.2W 6° 3000K



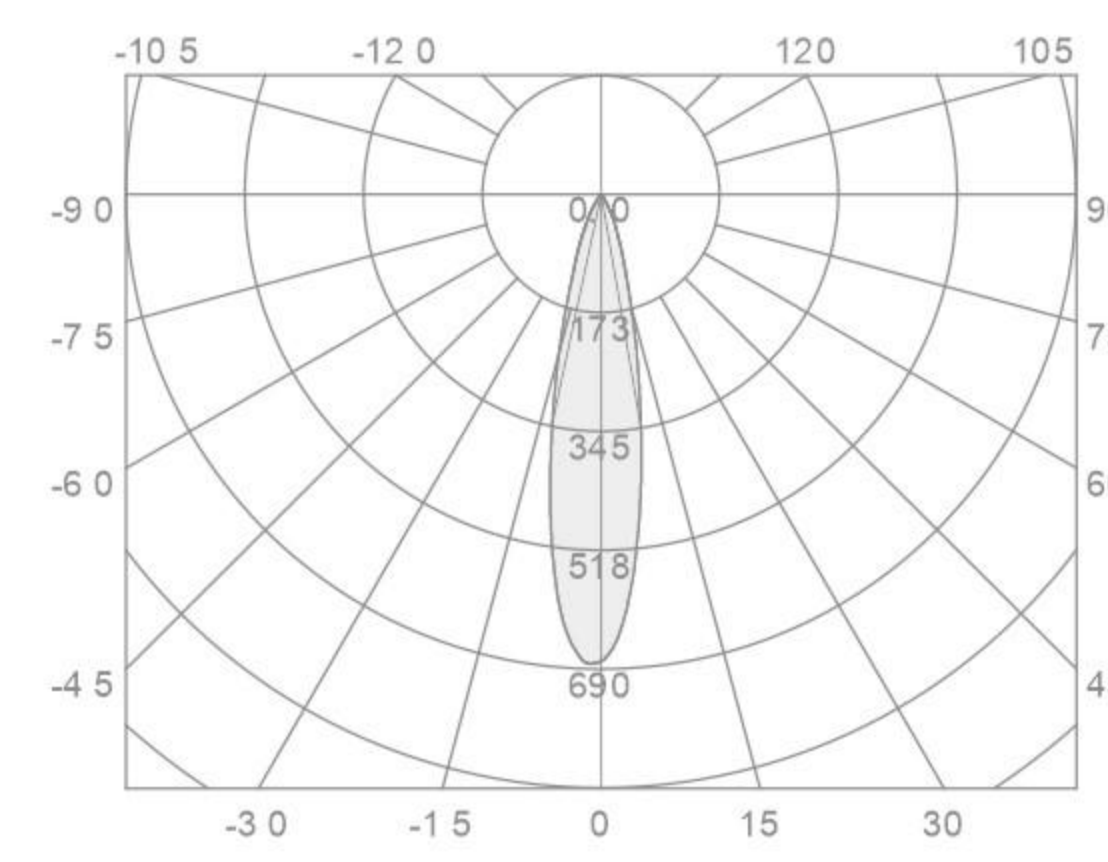
8.2W 6° 3000K



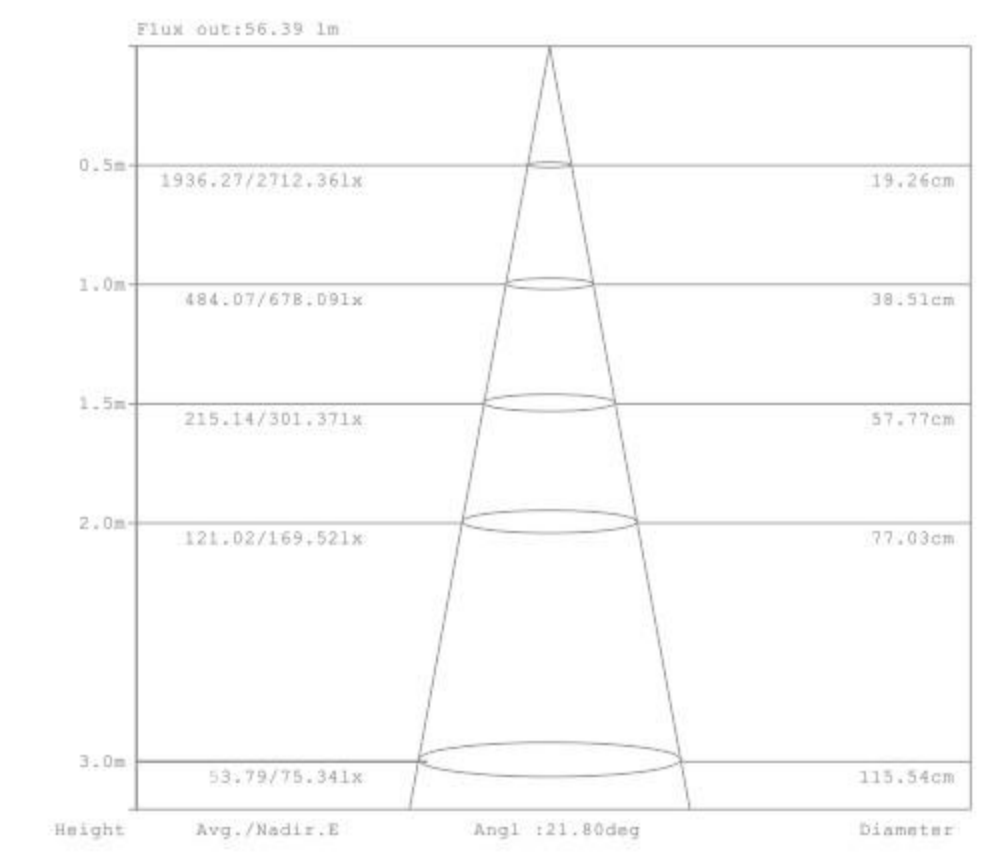
ANGLE 22°



1.2W 22° 3000K



1.2W 22° 3000K





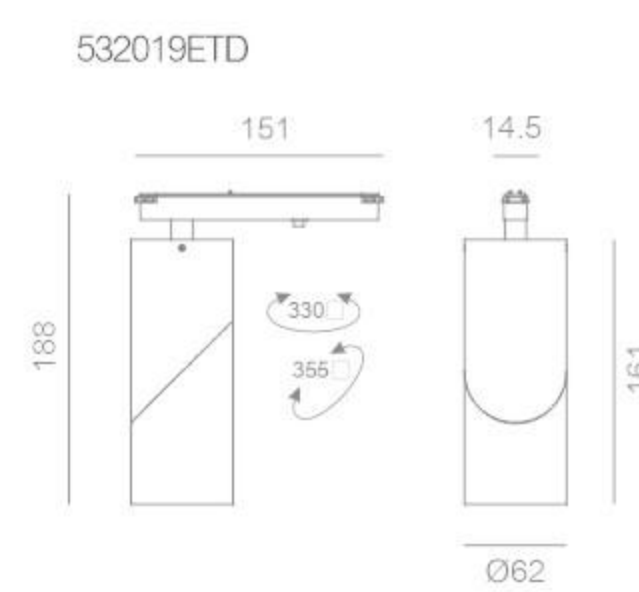
TURN KS S



TURN KS S SQUARED

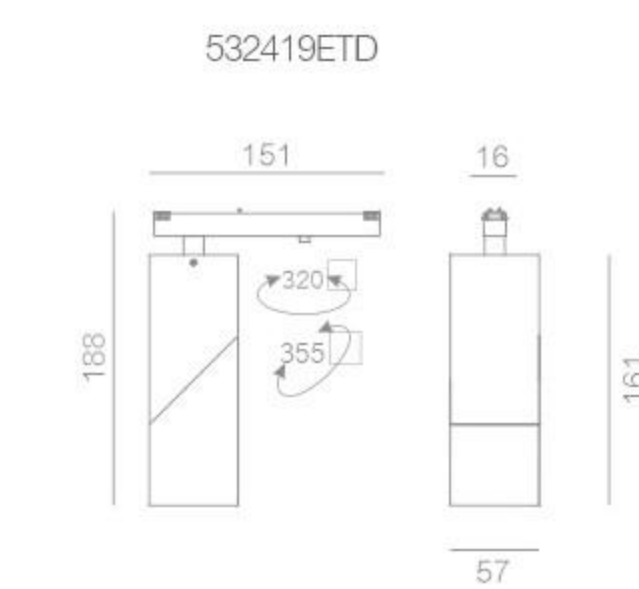
TURN KS S

LED POWER: 7.4W  
 LED LUMEN: 946LM/3000K  
 SYSTEM POWER: 7.5W  
 LUMINAIRE LUMEN: 607LM/3000K  
 INPUT: 48V DC  
 CRI: 90  
 DIMENSION: Ø62\*161mm  
 HOLE SIZE: /

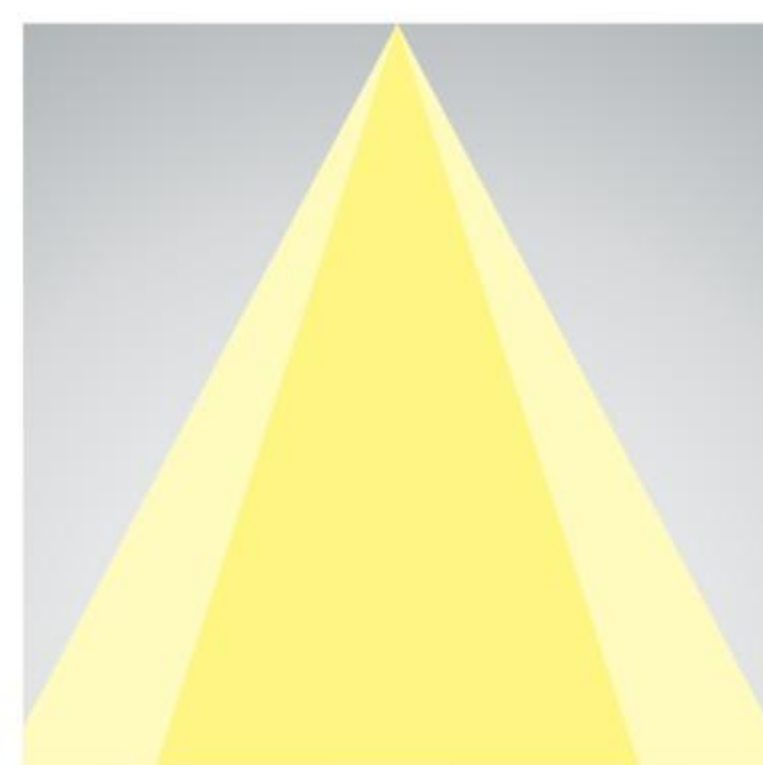


TURN KS S SQUARED

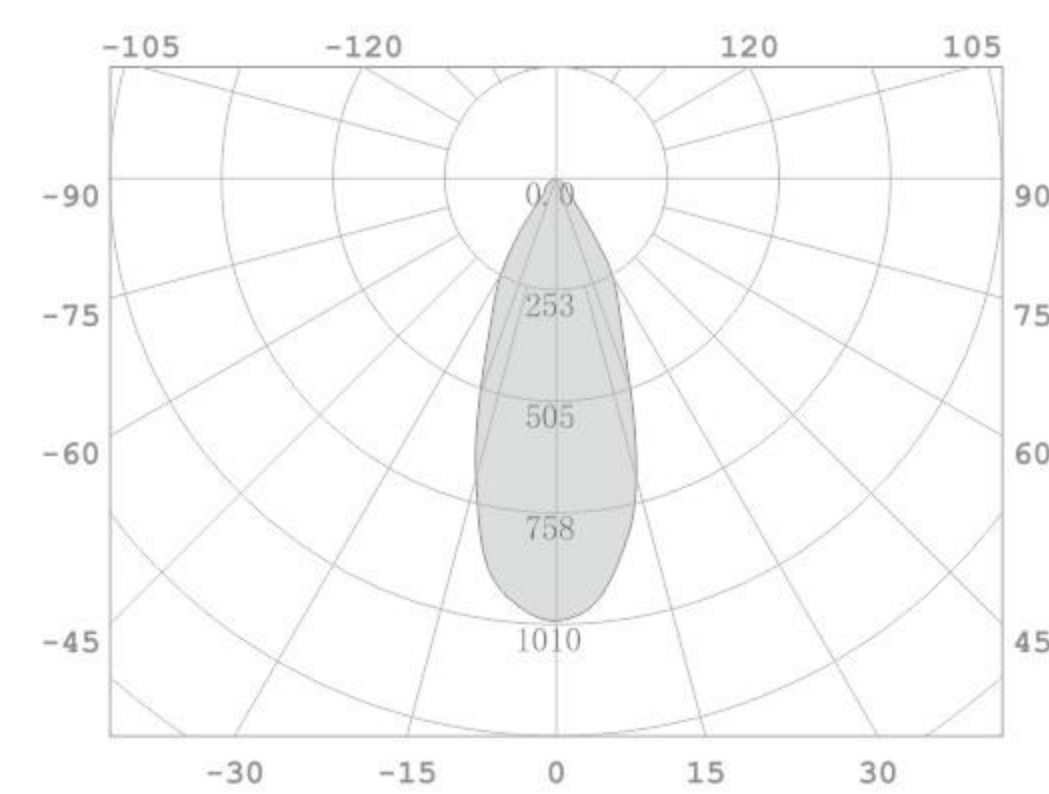
LED POWER: 7.4W  
 LED LUMEN: 946LM/3000K  
 SYSTEM POWER: 7.5W  
 LUMINAIRE LUMEN: 607LM/3000K  
 INPUT: 48V DC  
 CRI: 90  
 DIMENSION: Ø57\*57\*161mm  
 HOLE SIZE: /



ANGLE 38°



7.4W 38° 3000K



7.4W 38° 3000K

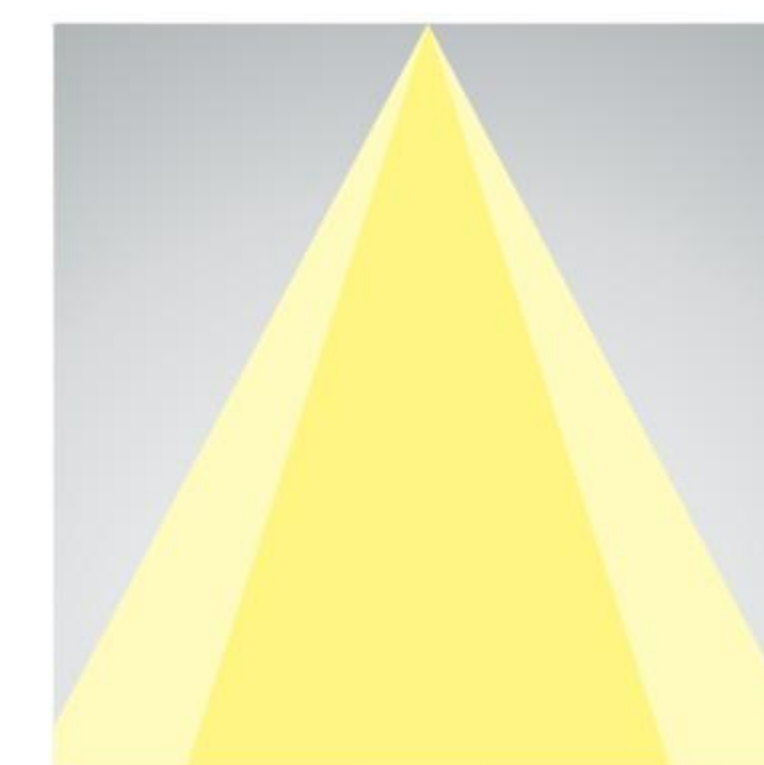
Height	Beam Diameter	Beam Diameter
0.5m	2791.64/606.10lx	85.50mm
1.0m	688.41/1561.27lx	76.60mm
1.5m	296.40/648.01lx	106.90mm
2.0m	172.20/296.22lx	141.20mm
3.0m	76.00/111.35lx	211.60mm

OTHER VERSIONS:

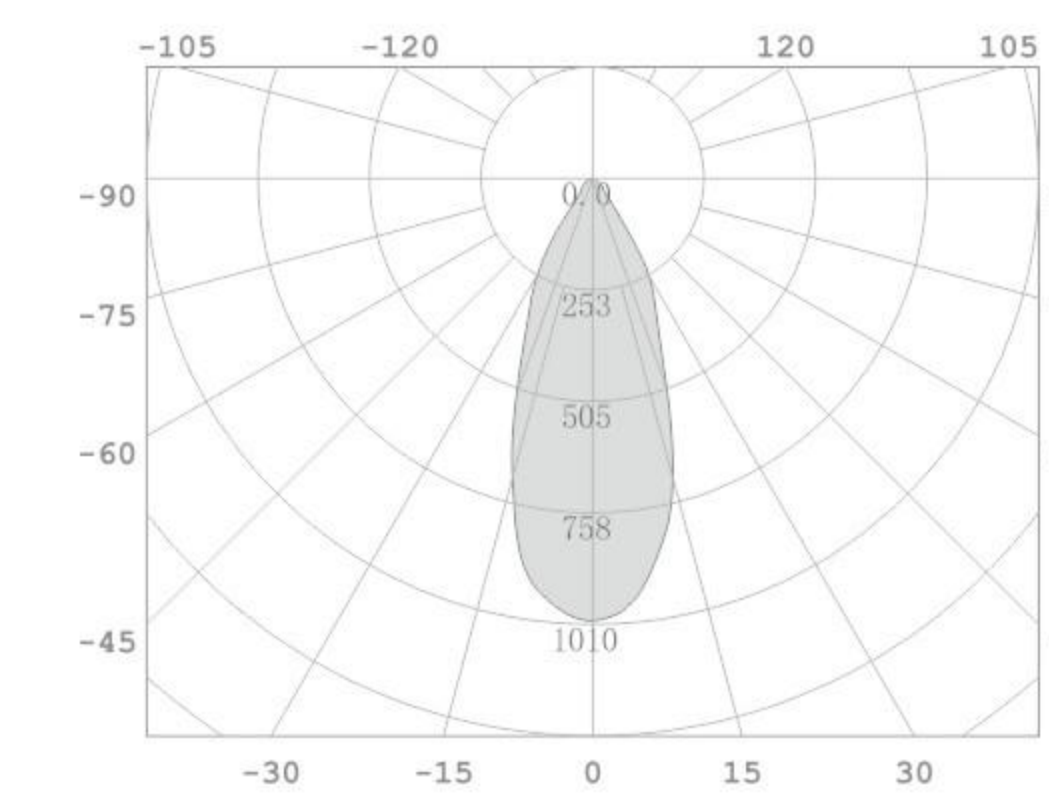


For more information, please visit our website or contact our sales representative

ANGLE 38°



7.5W 38° 3000K



7.5W 38° 3000K

Height	Beam Diameter	Beam Diameter
0.5m	2791.64/606.10lx	85.50mm
1.0m	688.41/1561.27lx	76.60mm
1.5m	296.40/648.01lx	106.90mm
2.0m	172.20/296.22lx	141.20mm
3.0m	76.00/111.35lx	211.60mm

OTHER VERSIONS:



For more information, please visit our website or contact our sales representative



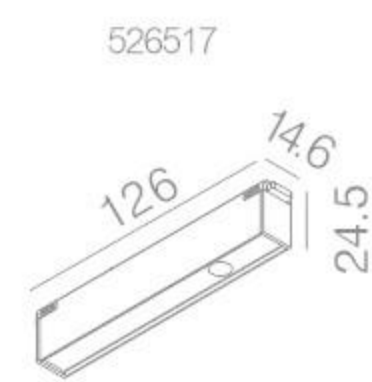
AHRI KS IN SPOT 3

AHRI KS IN SPOT 3x1

AHRI KS IN SPOT 6

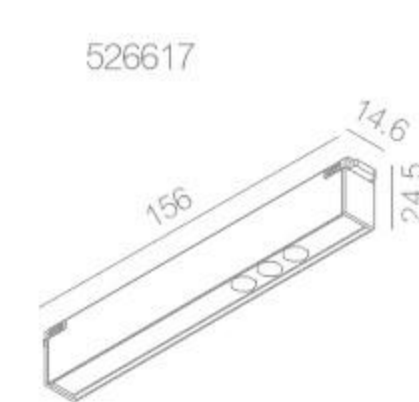
ARCA KS IN SPOT 3

LED POWER: 2.2W  
LED LUMEN: /  
SYSTEM POWER: 3W  
LUMINAIRE LUMEN: 128LM/3000K  
INPUT: 48V DC  
CRI: 90  
DIMENSION: 24.5\*14.6\*126mm  
HOLE SIZE: /



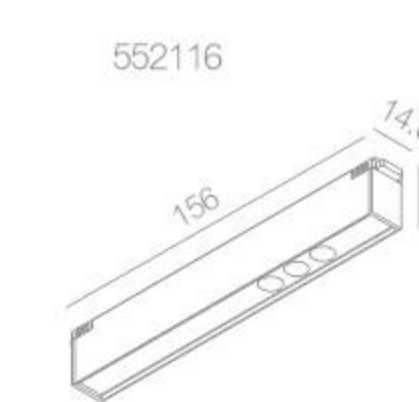
ARCA KS IN SPOT 3x1

LED POWER: 3.15W  
LED LUMEN: /  
SYSTEM POWER: 3.7W  
LUMINAIRE LUMEN: 192LM/3000K  
INPUT: 48V DC  
CRI: 90  
DIMENSION: 24.5\*14.6\*156mm  
HOLE SIZE: /

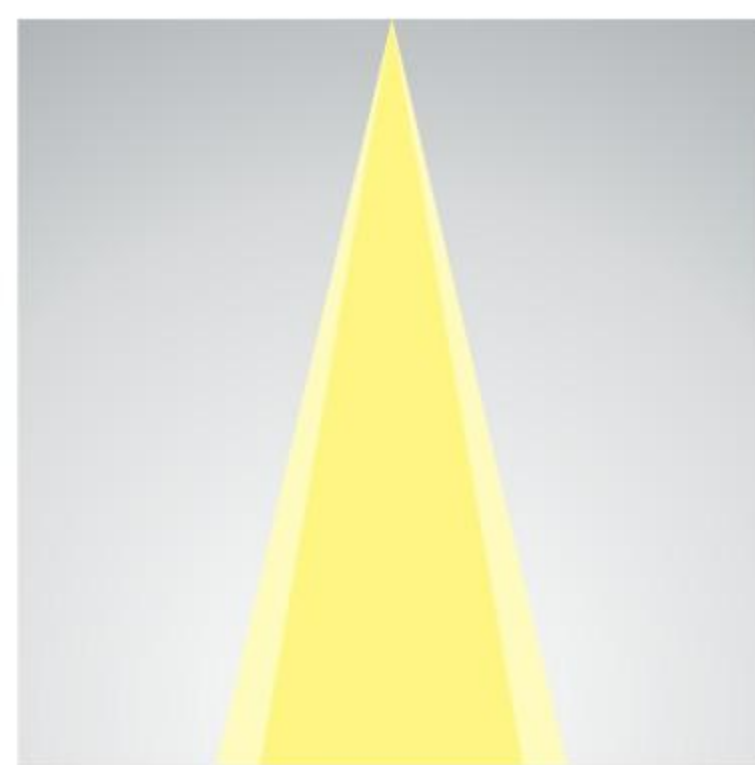


ARCA KS IN SPOT 6

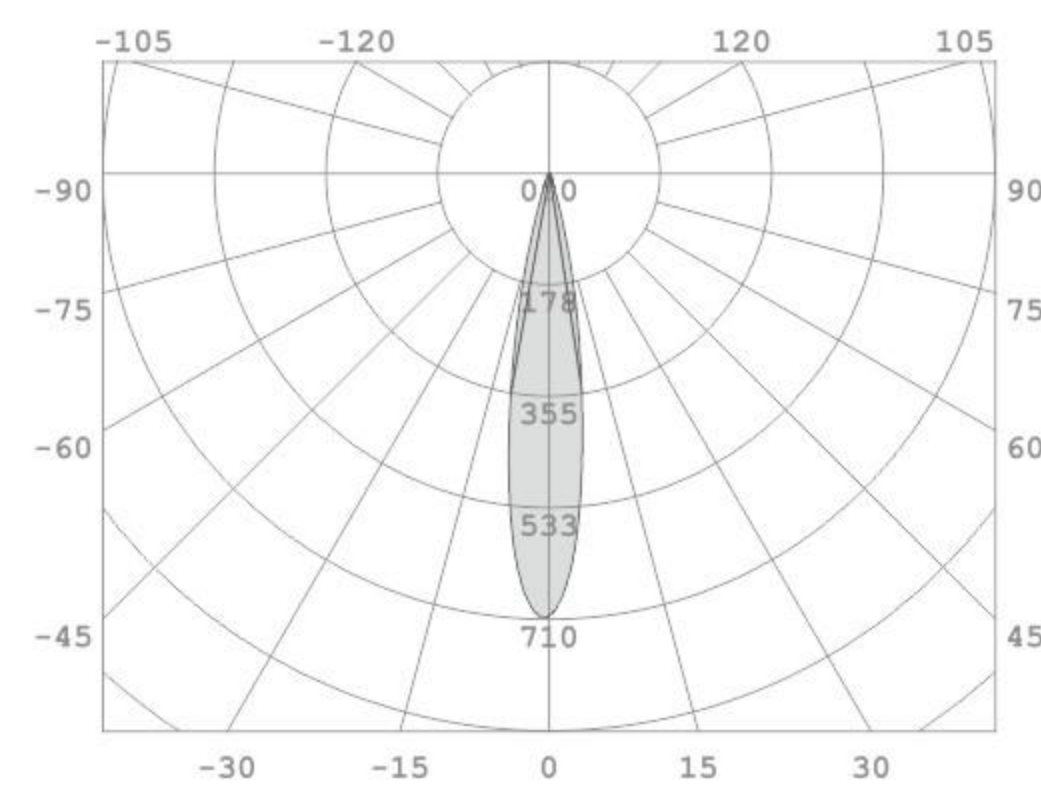
LED POWER: 4.3W  
LED LUMEN: 350LM  
SYSTEM POWER: 3.5W  
LUMINAIRE LUMEN: 122LM/3000K  
INPUT: 48V DC  
CRI: 90  
DIMENSION: 180\*14.6\*24.5mm  
HOLE SIZE: /



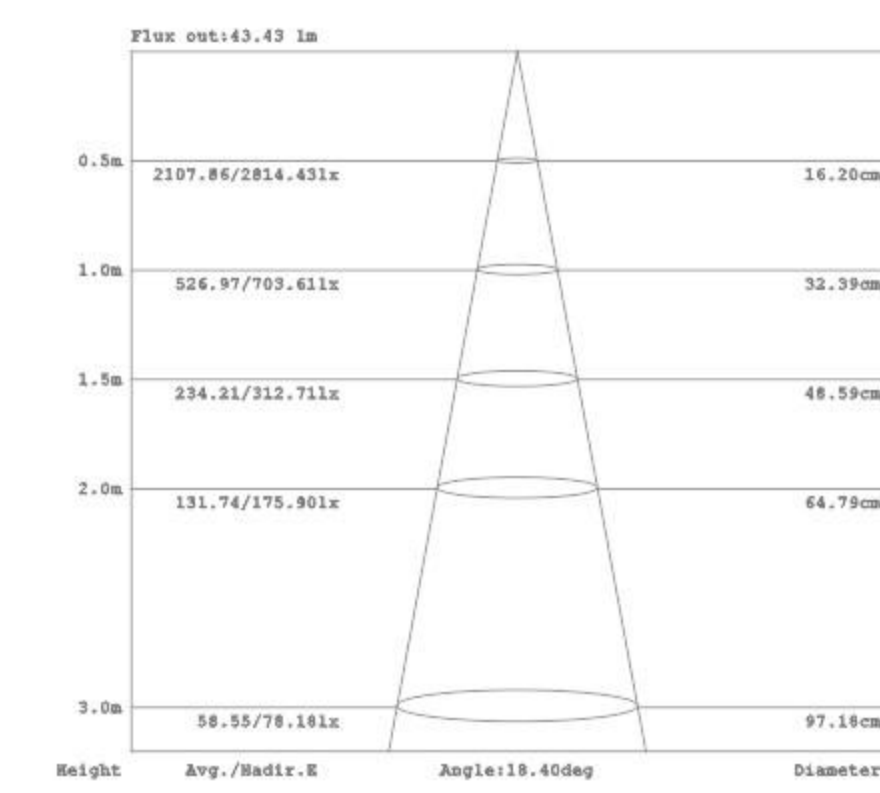
ANGLE 20



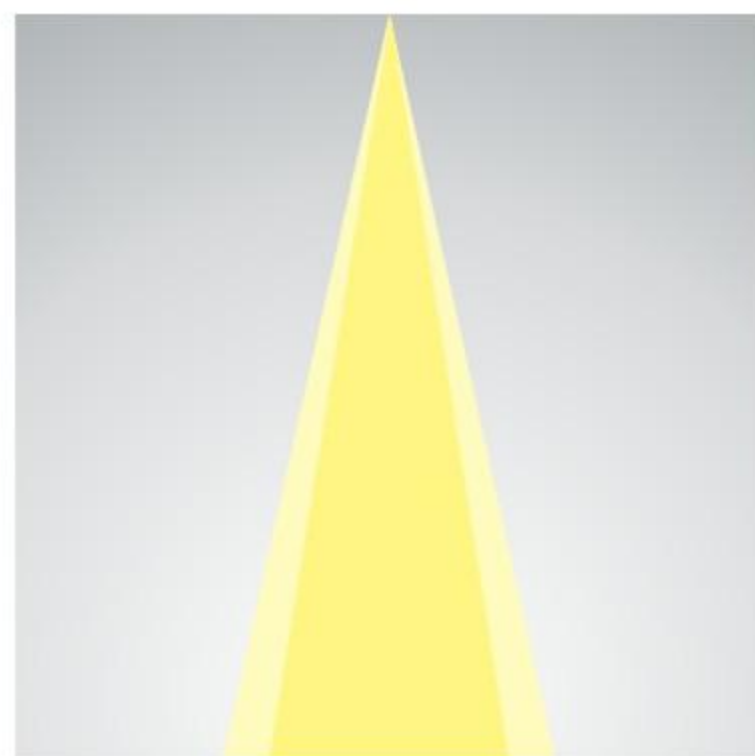
3W 20 3000K



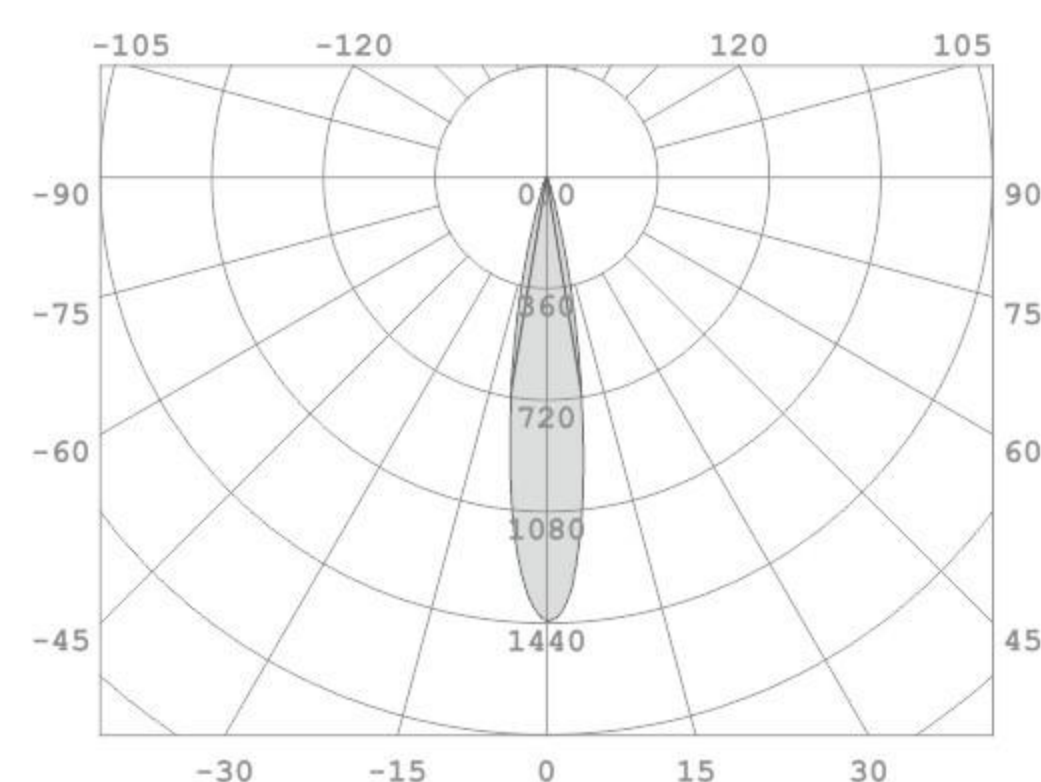
3W 20 3000K



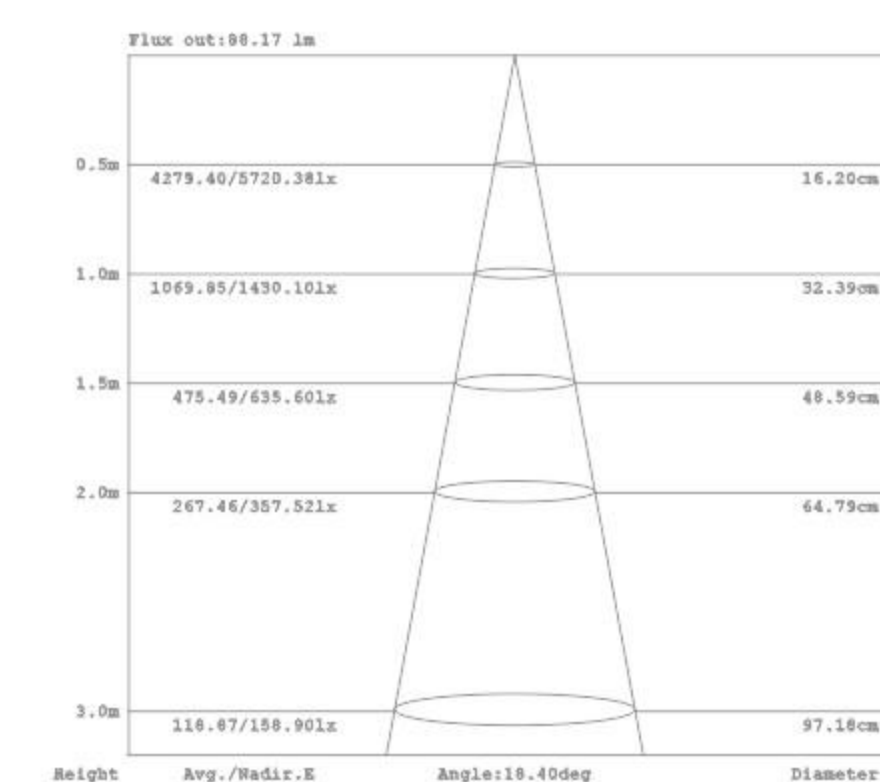
ANGLE 18



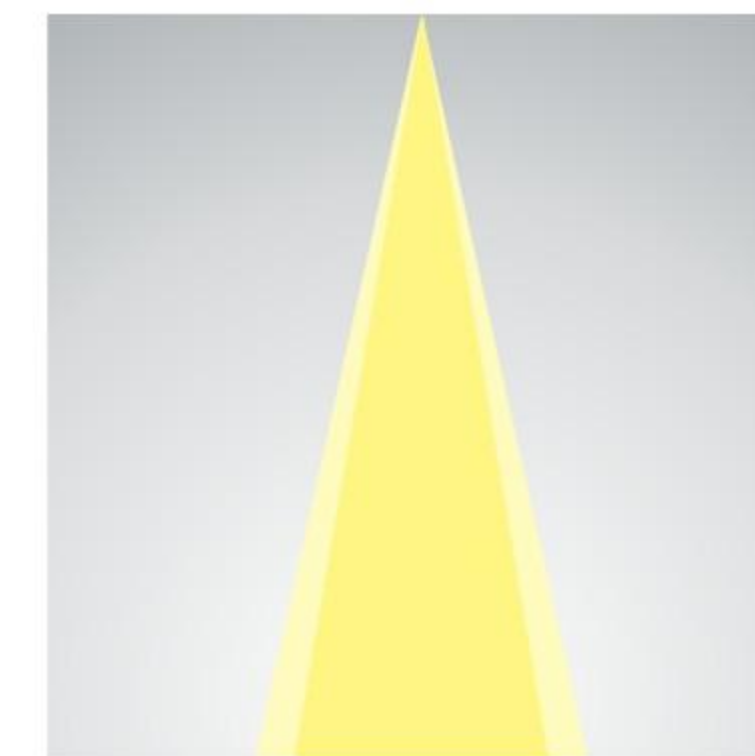
3.7W 18 3000K



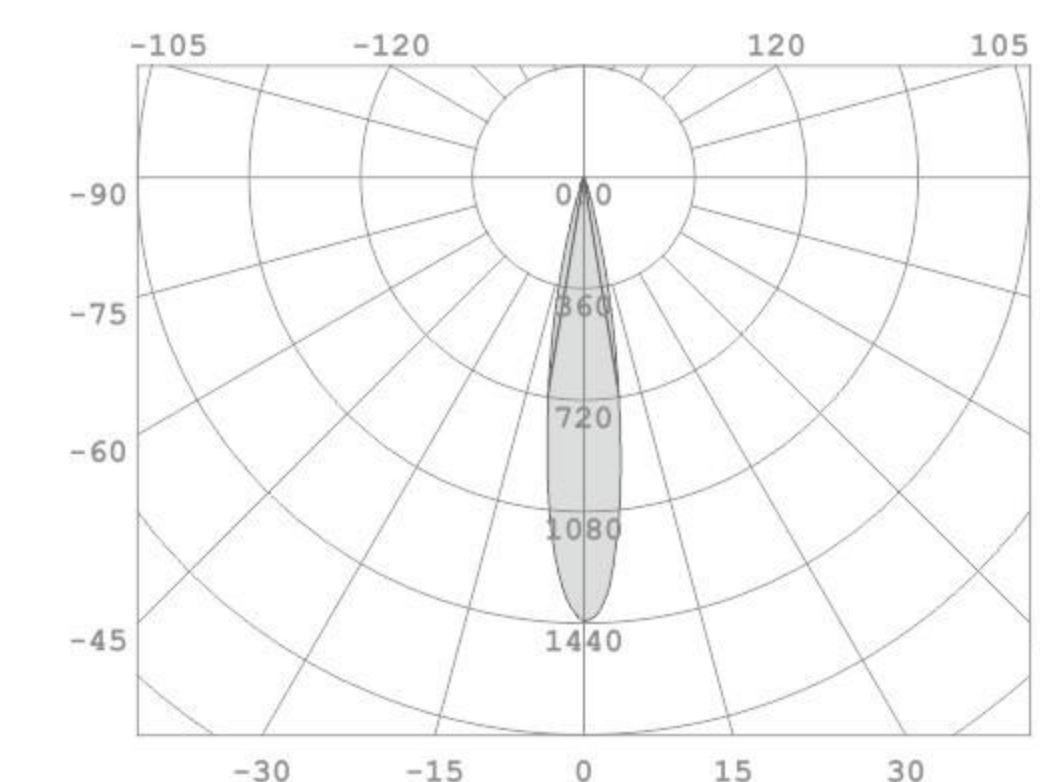
3.7W 18 3000K



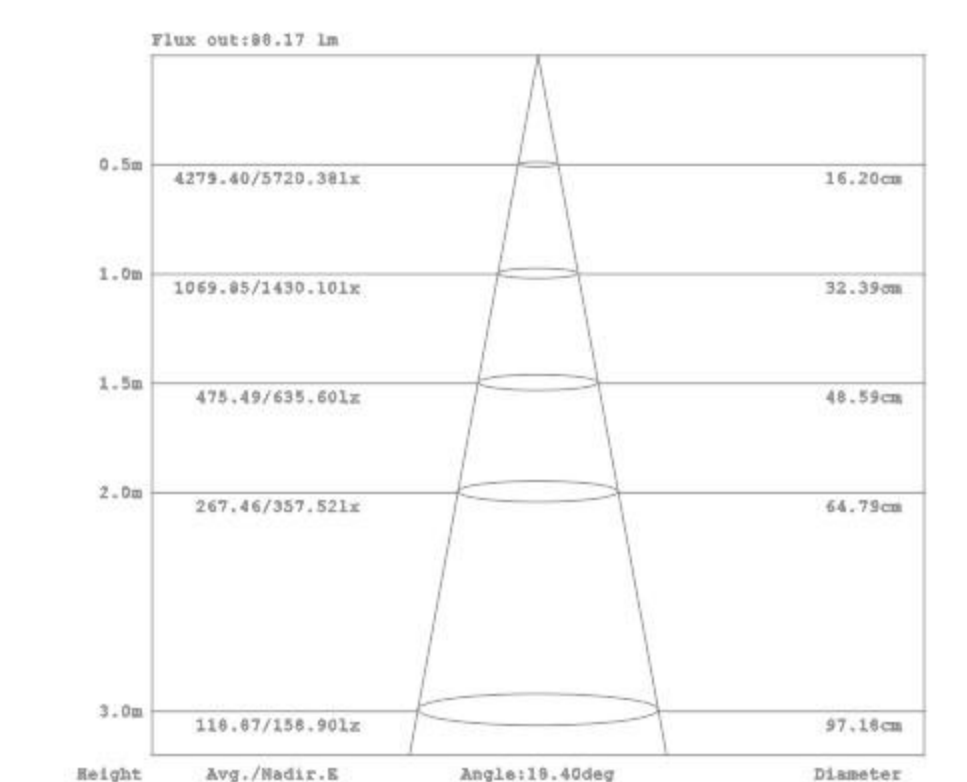
ANGLE 19



4.3W 19 3000K



4.3W 19 3000K

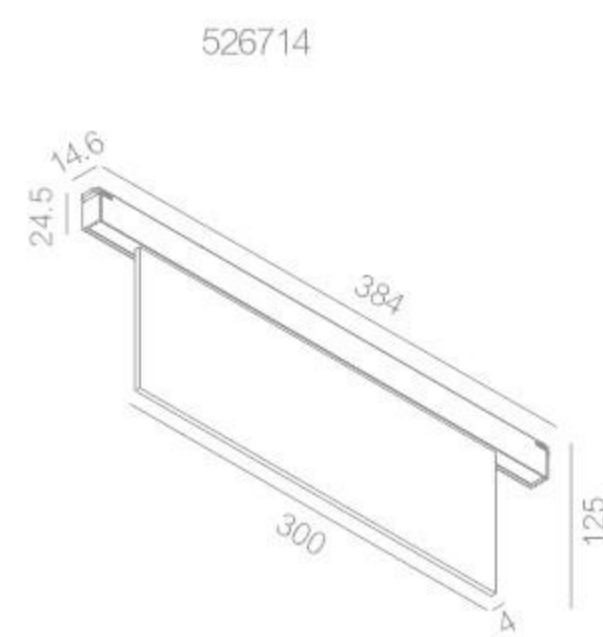



FLUA

GUIDE KS

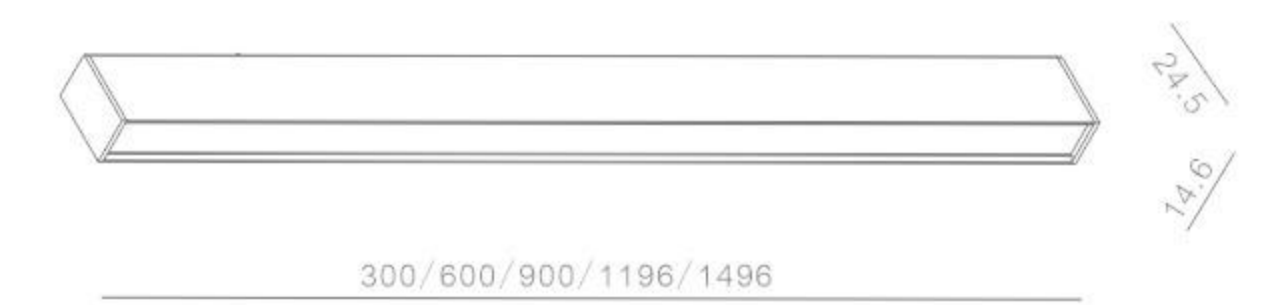
MOONLINE

GUIDE KS   
 LED POWER: 10W  
 LED LUMEN: /  
 LUMINAIRE LUMEN: 607LM/3000K  
 INPUT: 48V DC  
 CRI: 80  
 DIMENSION: 384\*14.6\*125mm  
 HOLE SIZE: /

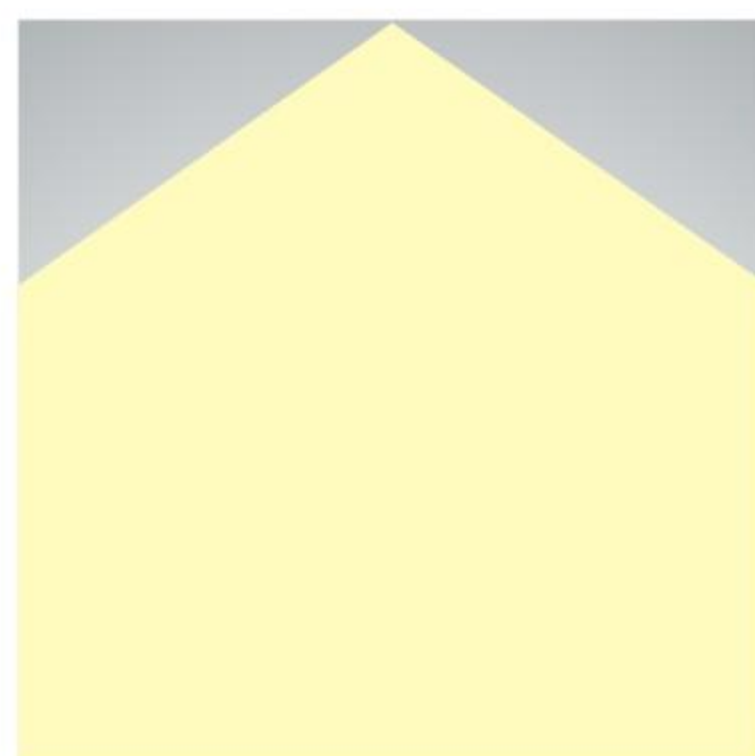


MOONLINE KS 300/600/900/1200/1500   
 CRI: 80  
 INPUT: 48V DC

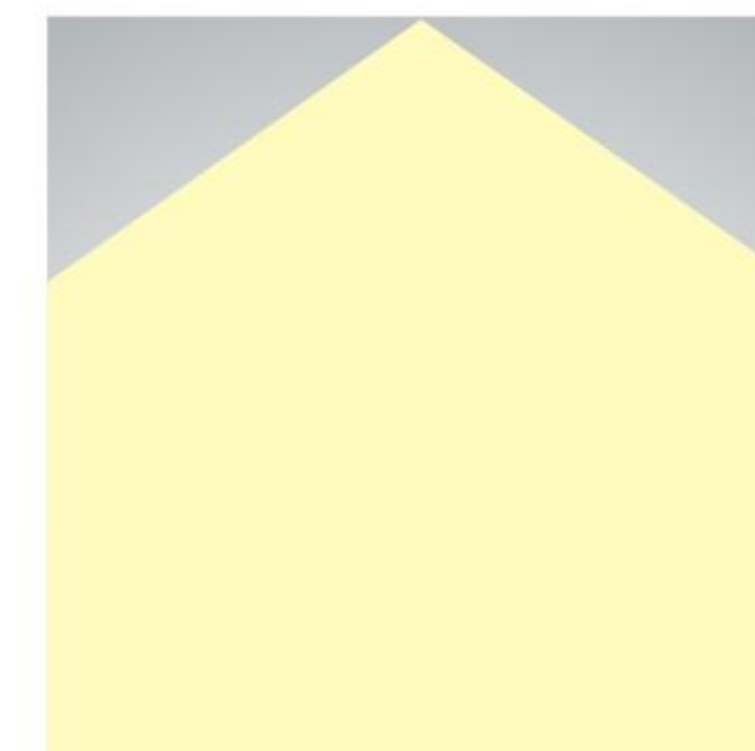
HIGH LUMEN	POWER	SIZE	LUMINAIRE LUMEN
525414	11.4W	300*24.5*14.6	456LM/3000K
525514	20W	600*24.5*14.6	912LM/3000K
525614	30W	900*24.5*14.6	1368LM/3000K
525714	40W	1196*14.6*24.5	1824LM/3000K
525814	50W	1496*14.6*24.5	2280LM/3000K



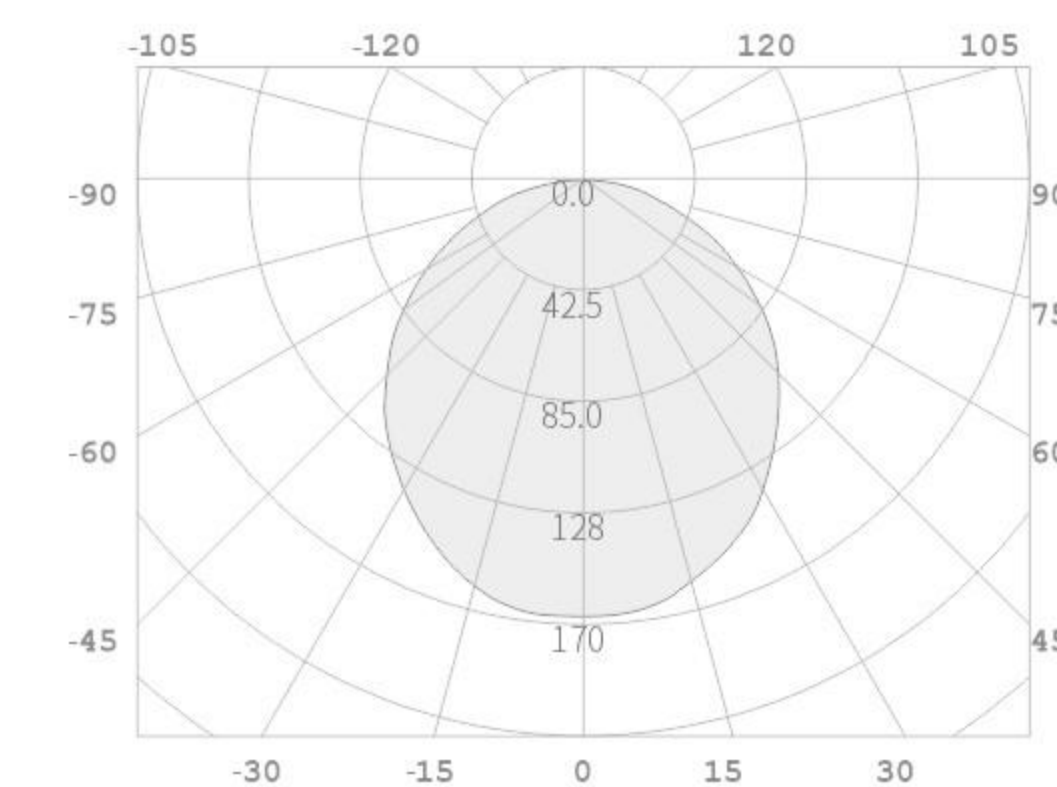
ANGLE L



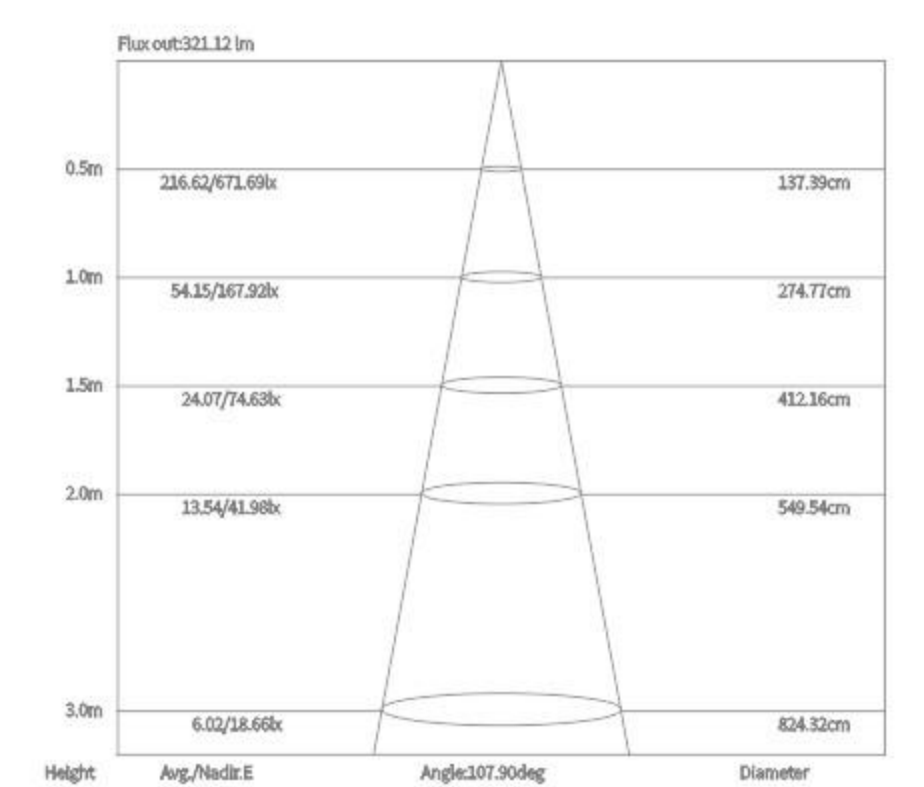
ANGLE L



11.3W L 3000K



11.3W L 3000K



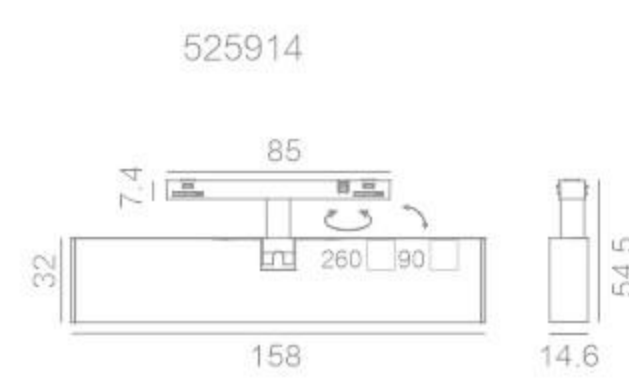


SHINY KS ON 5

SHINY KS ON 10

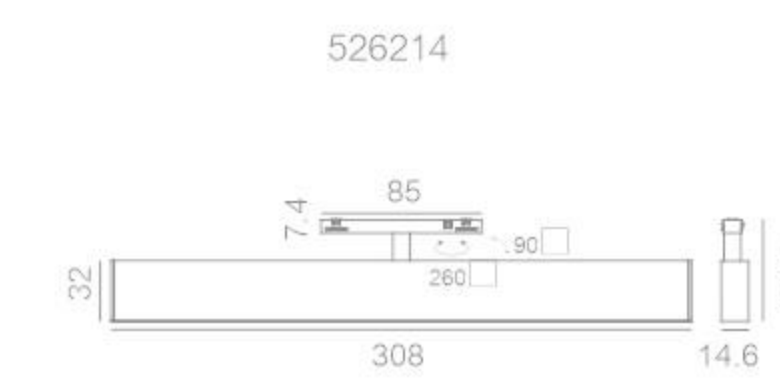
SHINY KS ON 5

LED POWER: 5W  
 LED LUMEN: 500LM/3000K  
 LUMINAIRE LUMEN: 166LM/3000K  
 INPUT: 48V DC  
 CRI: 80  
 DIMENSION: 201\*14.6\*60mm  
 HOLE SIZE: /

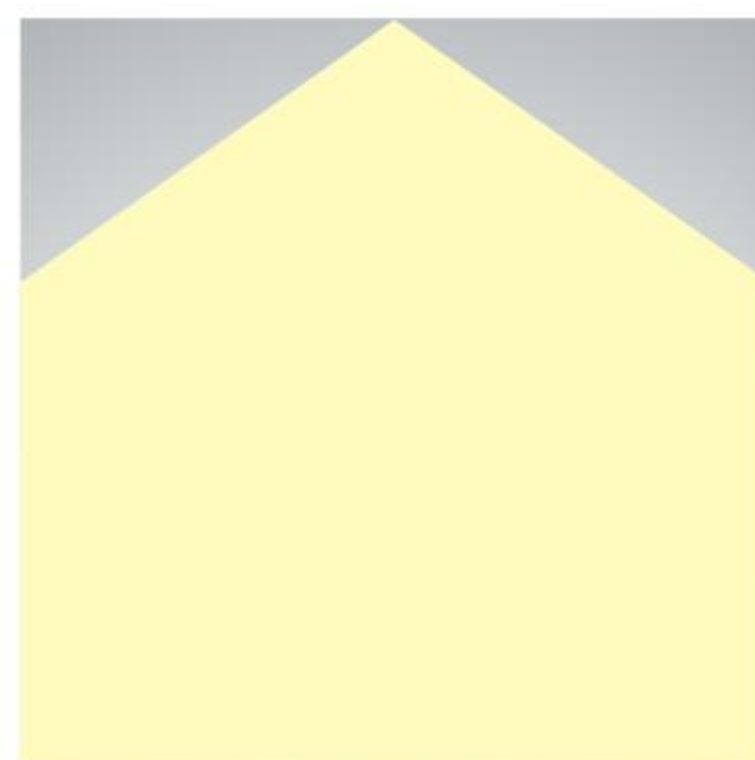


SHINY KS ON 10

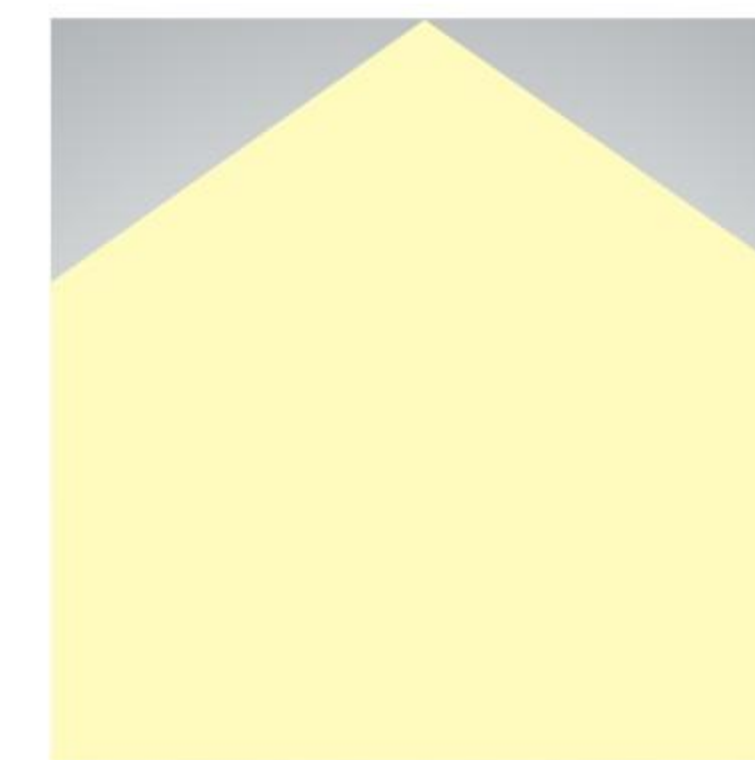
LED POWER: 11W  
 LED LUMEN: 1000LM/3000K  
 LUMINAIRE LUMEN: 384LM/3000K  
 INPUT: 48V DC  
 CRI: 90  
 DIMENSION: 308\*14.6\*60mm  
 HOLE SIZE: /



ANGLE L



ANGLE L



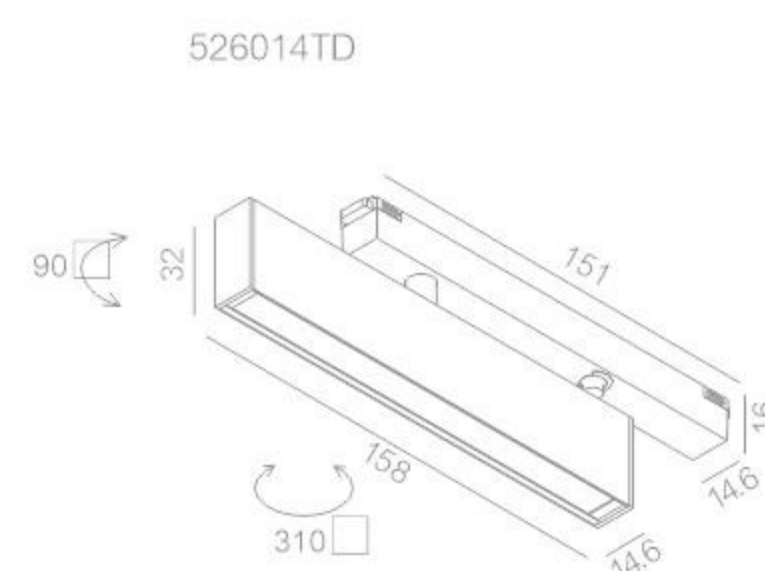


SHINY KS ON 5 DIM

SHINY KS ON 10

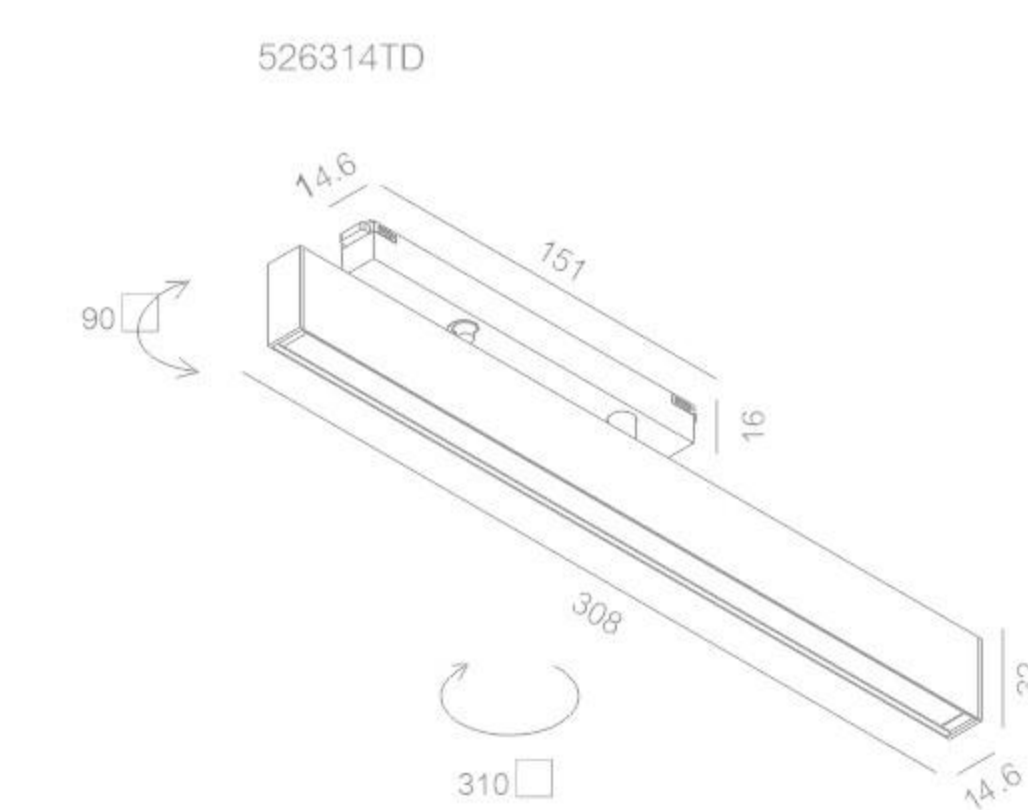
SHINY KS ON 5 DIM

LED POWER:4.6W  
 LED LUMEN: 450LM  
 LUMINAIRE LUMEN: 166LM/3000K  
 INPUT: 48V DC  
 CRI: 80  
 DIMENSION: 201\*14.6\*60mm  
 HOLE SIZE: /

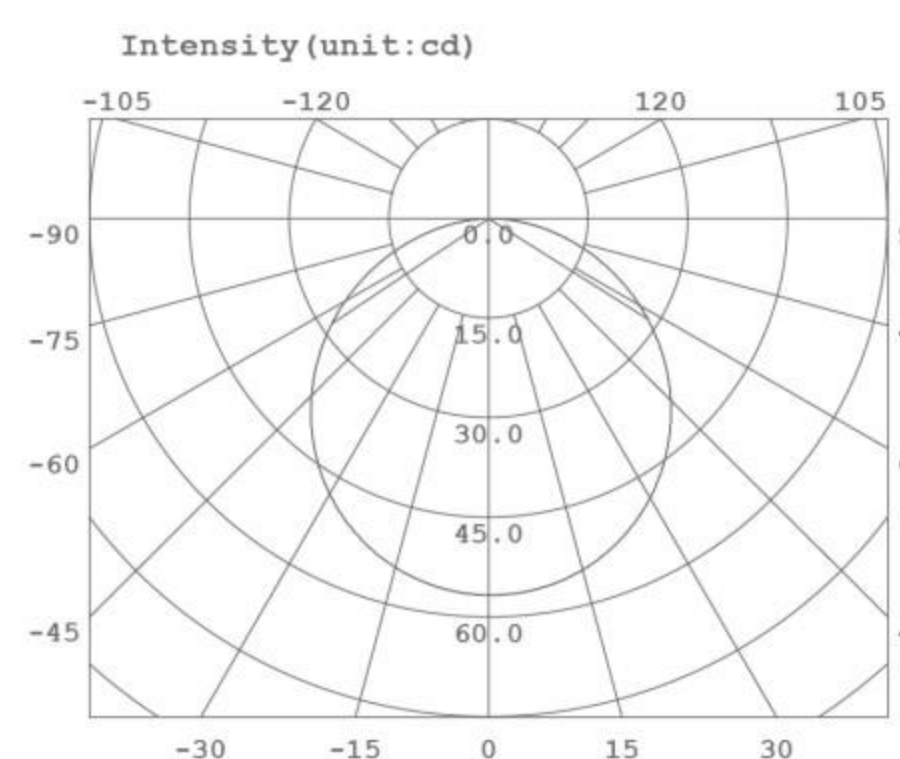
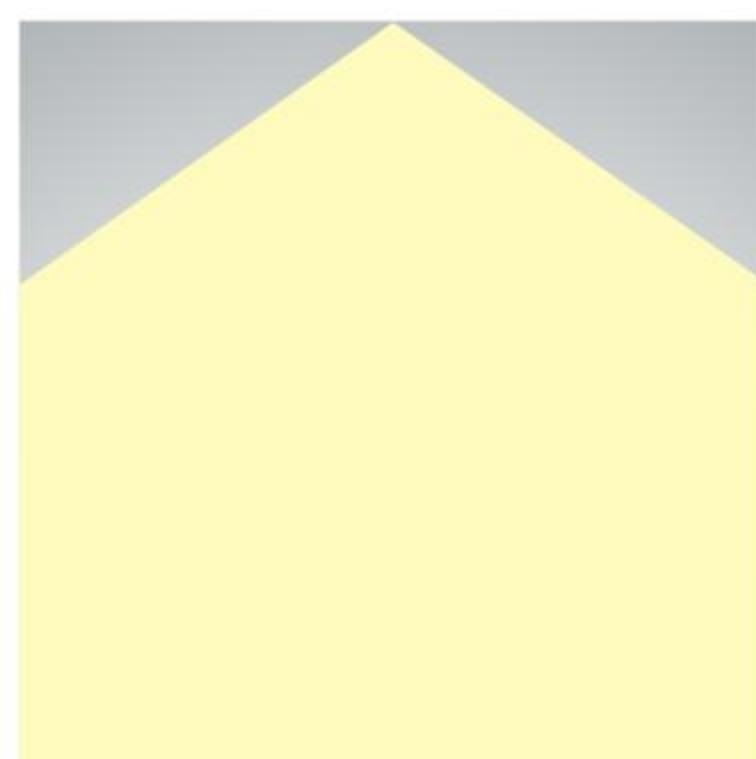


SHINY KS ON 10 DIM

LED POWER: 11.5W  
 LED LUMEN: 1000LM  
 LUMINAIRE LUMEN: 384LM/3000K  
 INPUT: 48V DC  
 CRI: 80  
 DIMENSION: 308\*14.6\*60mm  
 HOLE SIZE: /

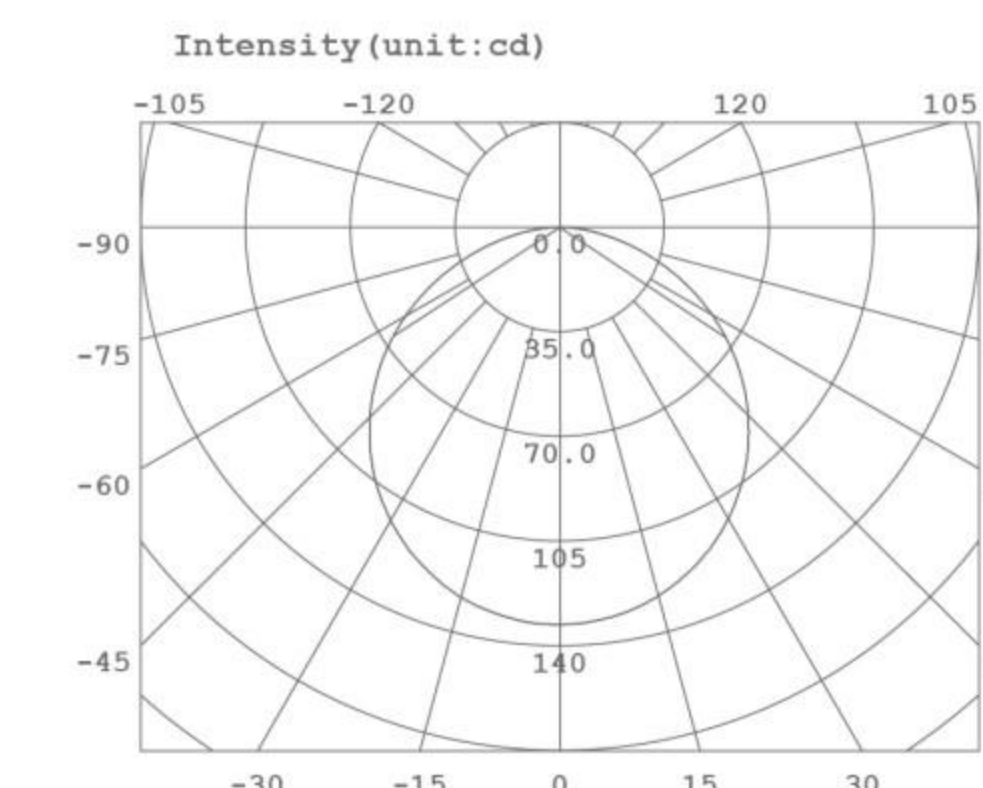
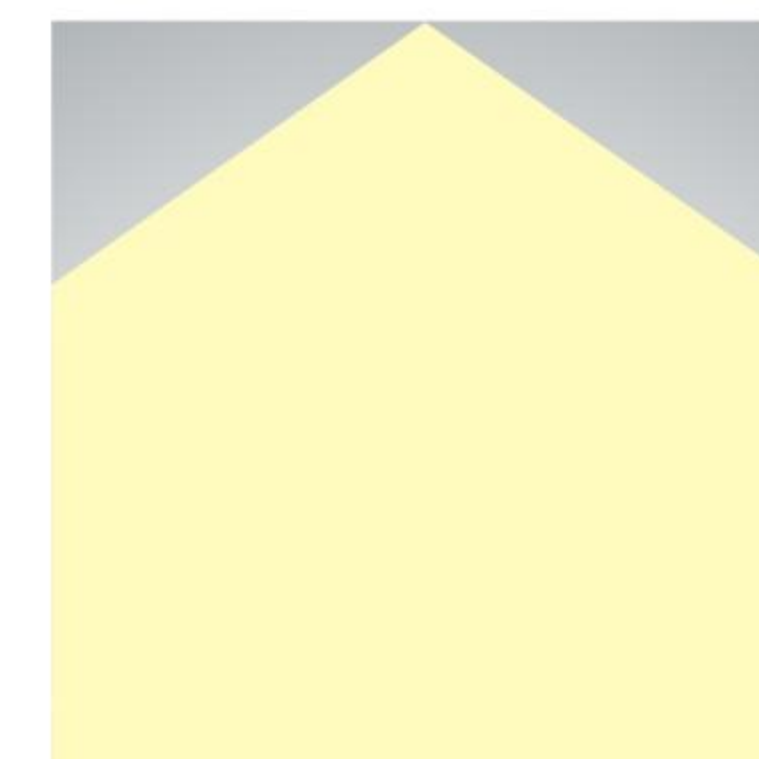


ANGLE L



Height	Ang./Radian:θ	Angle:113.80deg	Diameter
0.5m	43.37/226.96lx		151.89mm
1.0m	14.24/26.94lx		317.39mm
1.5m	7.24/25.19lx		440.19mm
2.0m	4.16/14.16lx		614.71mm
2.5m	2.32/0.24lx		822.14mm

ANGLE L



Height	Ang./Radian:θ	Angle:113.20deg	Diameter
0.5m	157.04/131.50lx		151.89mm
1.0m	39.26/132.07lx		317.39mm
1.5m	17.45/139.08lx		440.19mm
2.0m	9.82/131.33lx		614.71mm
2.5m	4.36/14.76lx		822.14mm

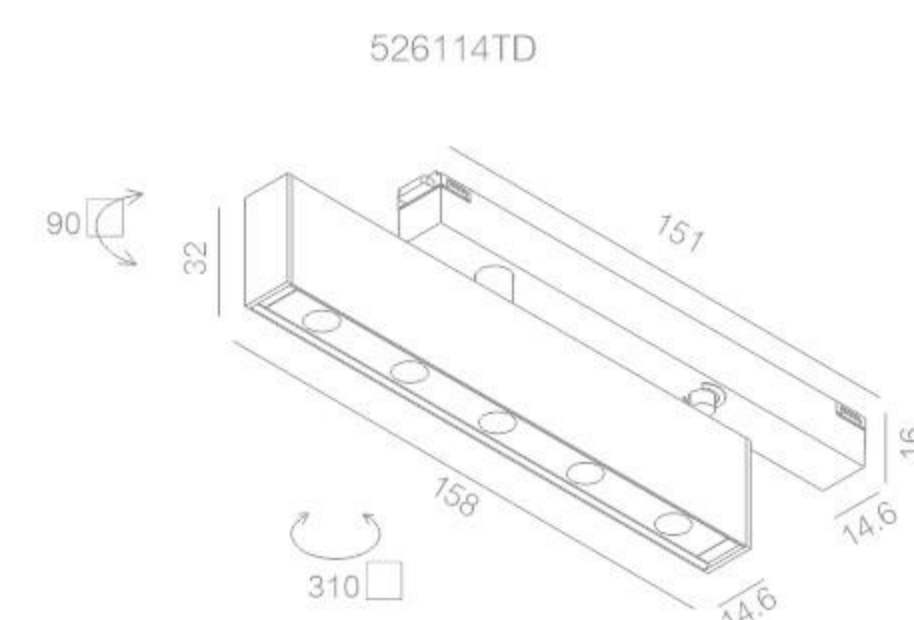


SHINY KS ON SPOT 5 DIM

SHINY KS ON SPOT 10 DIM

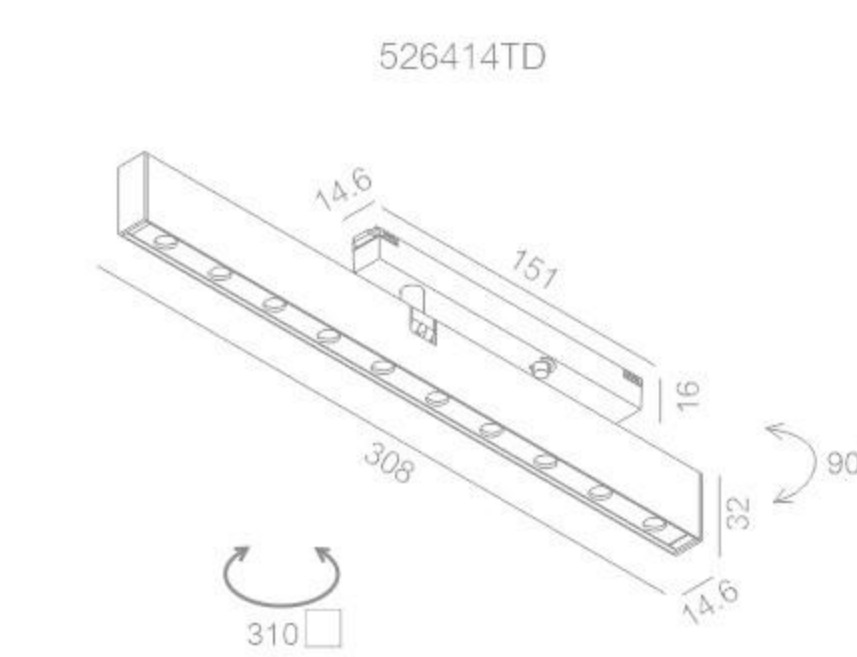
SHINY KS ON SPOT 5 DIM

LED POWER: 4.5W  
 LED LUMEN: 500LM  
 LUMINAIRE LUMEN: 204Lm/3000K  
 INPUT: 48V DC  
 CRI: 90  
 DIMENSION: 201\*14.6\*60mm  
 HOLE SIZE: /

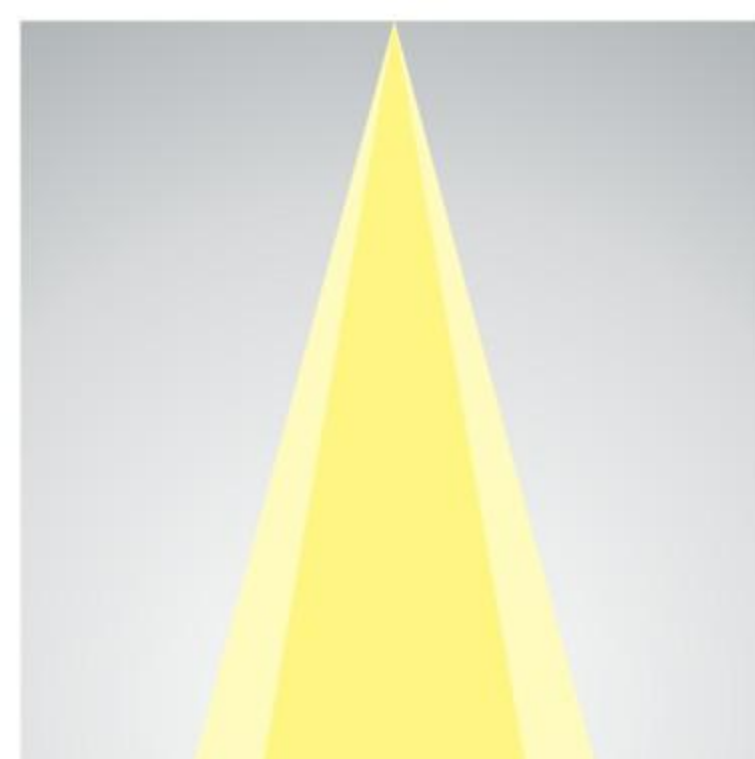


SHINY KS ON SPOT 10 DIM

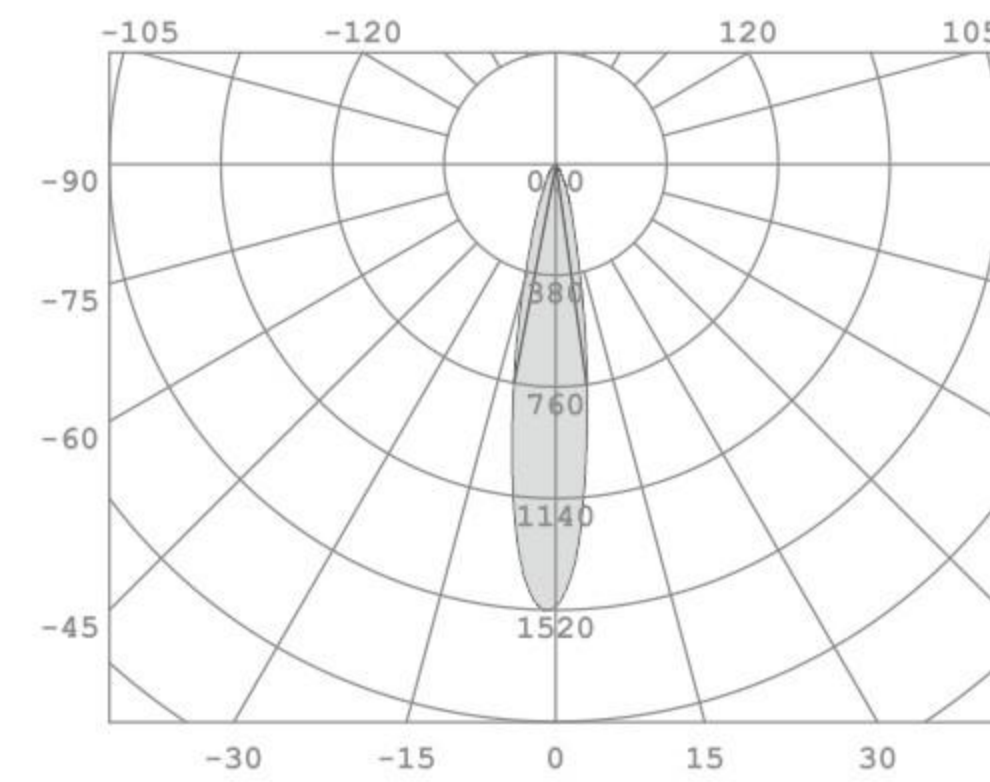
LED POWER: 9W  
 LED LUMEN: 1000LM  
 LUMINAIRE LUMEN: 587LM/3000K  
 INPUT: 48V DC  
 CRI: 90  
 DIMENSION: 308\*14.6\*60mm  
 HOLE SIZE: /



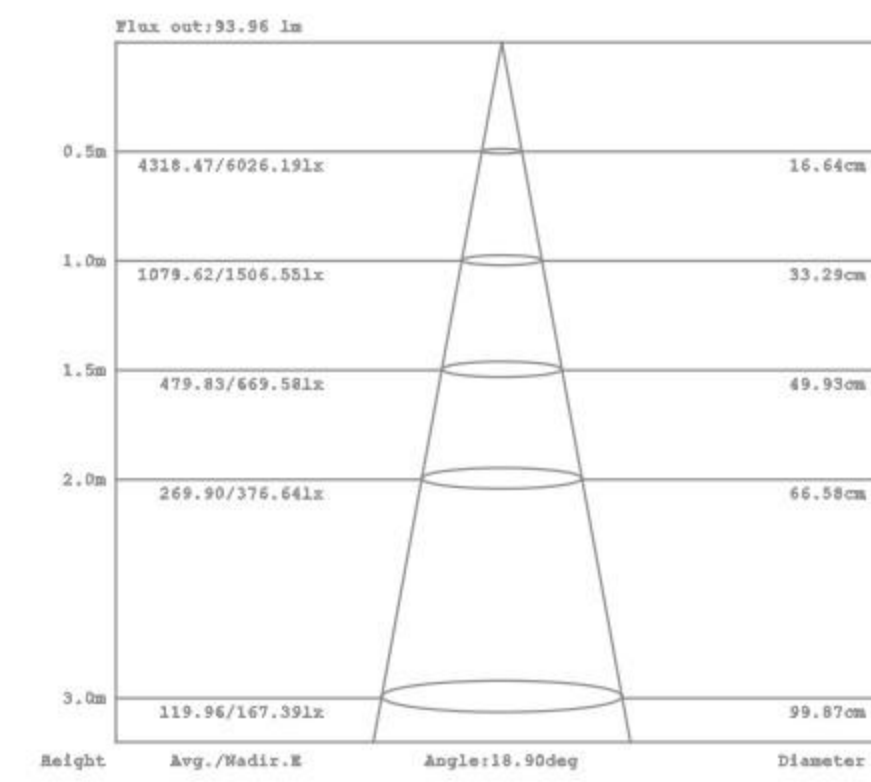
ANGLE 20°



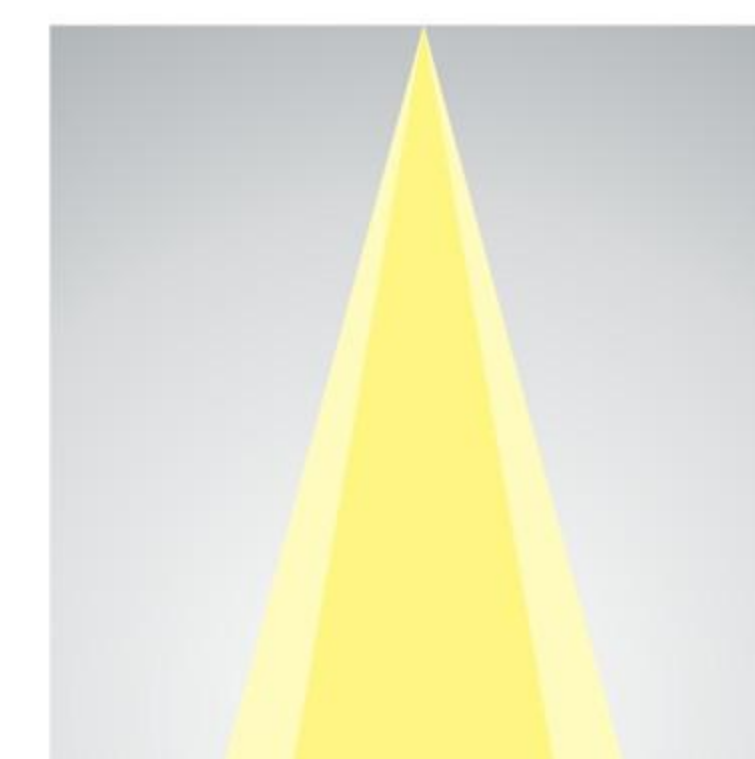
5W 20°3000K



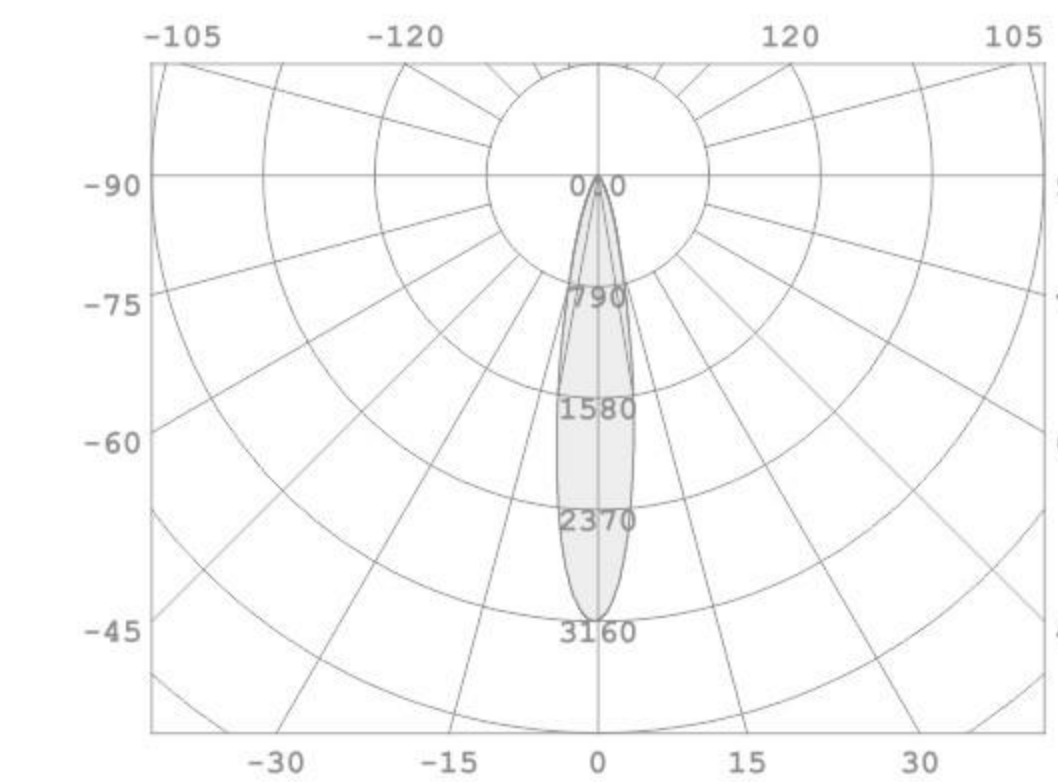
5W 20°3000K



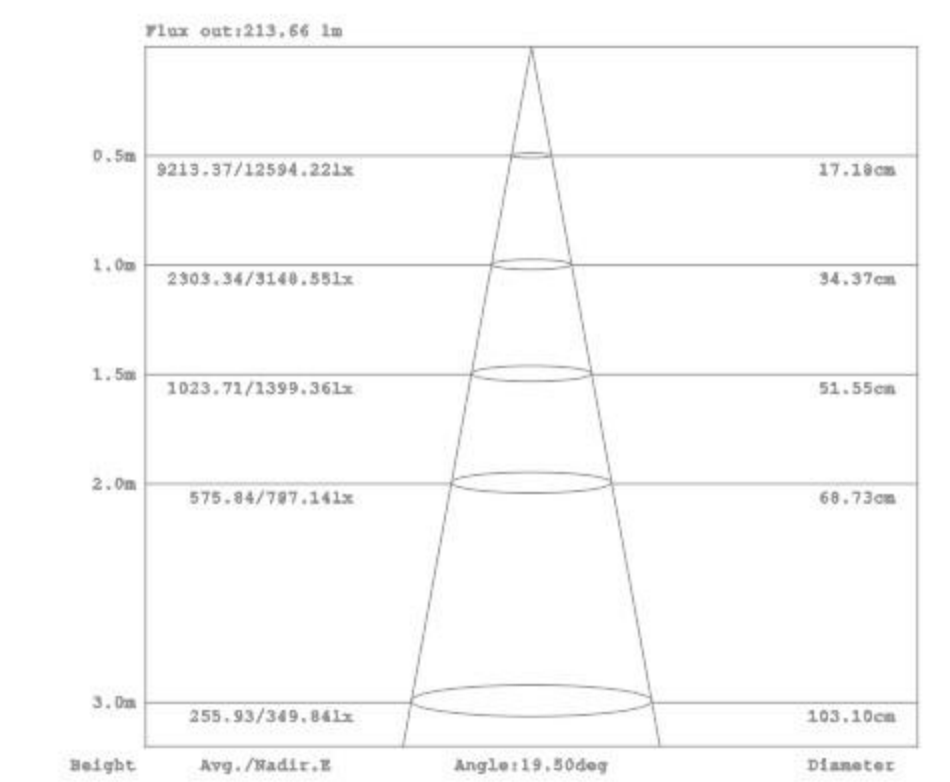
ANGLE 20°



10.4W 20°3000K



10.4W 20°3000K





ATHENA KS

ATHENA KS   
 LED POWER: 6.3W  
 LED LUMEN: /  
 LUMINAIRE LUMEN: 499LM/3000K  
 INPUT: 48V DC  
 CRI: 90  
 DIMENSION: Ø42\*130mm  
 HOLE SIZE: /

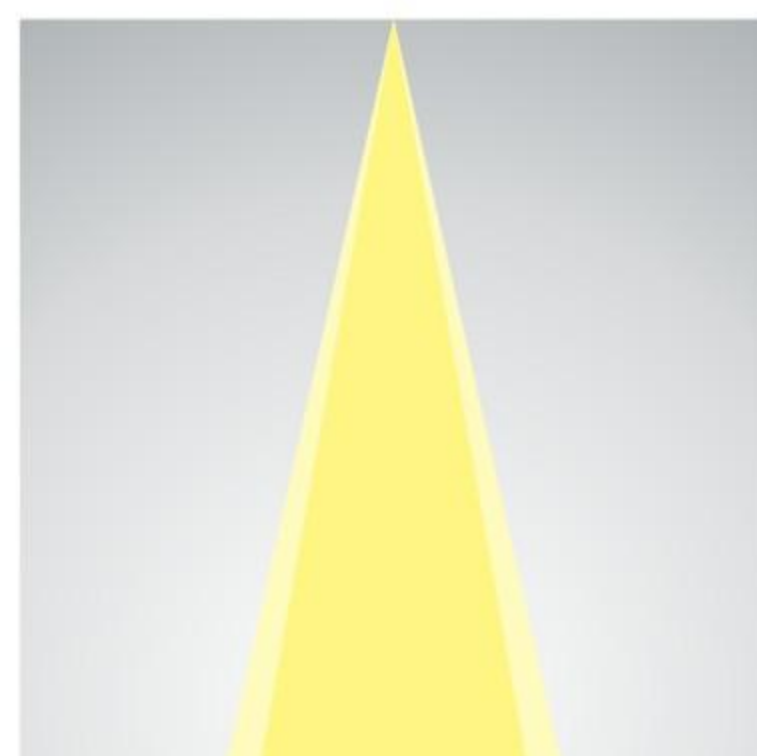


COBIN KS 18

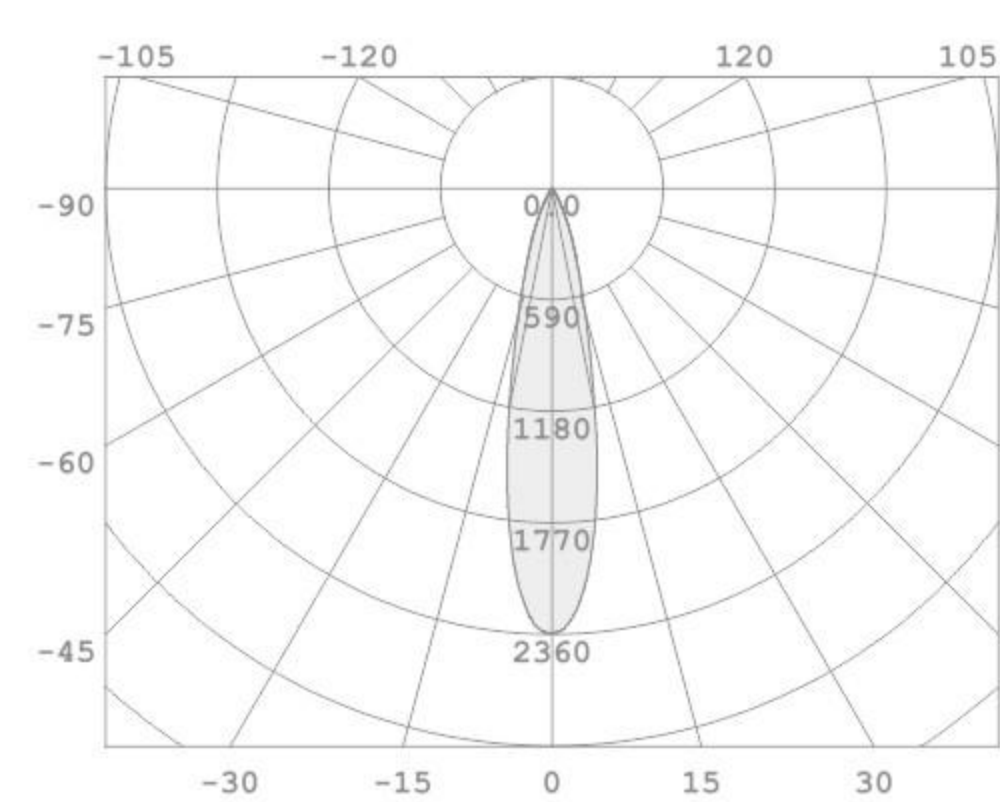
COBIN KS18  
 LED POWER: 5.5W  
 LED LUMEN: 510Lm  
 SYSTEM POWER: 6.4W  
 SYSTEM OUTPUT: 100Lm/2700-6000K  
 INPUT: 48VDC  
 CRI: 80  
 DIMENSION: Ø180\*325mm



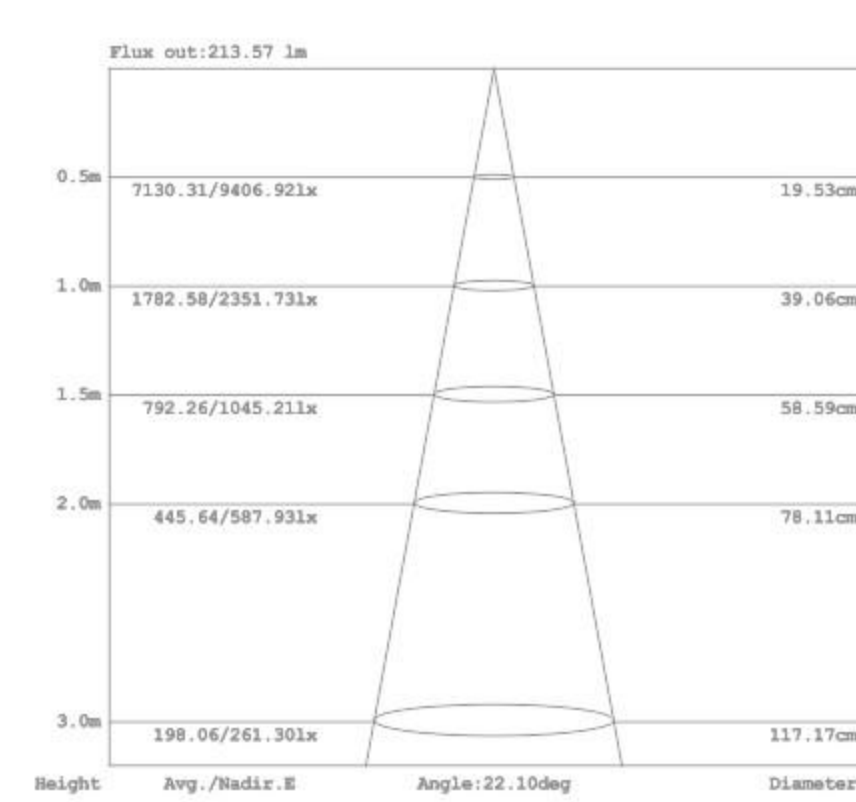
ANGLE 22°



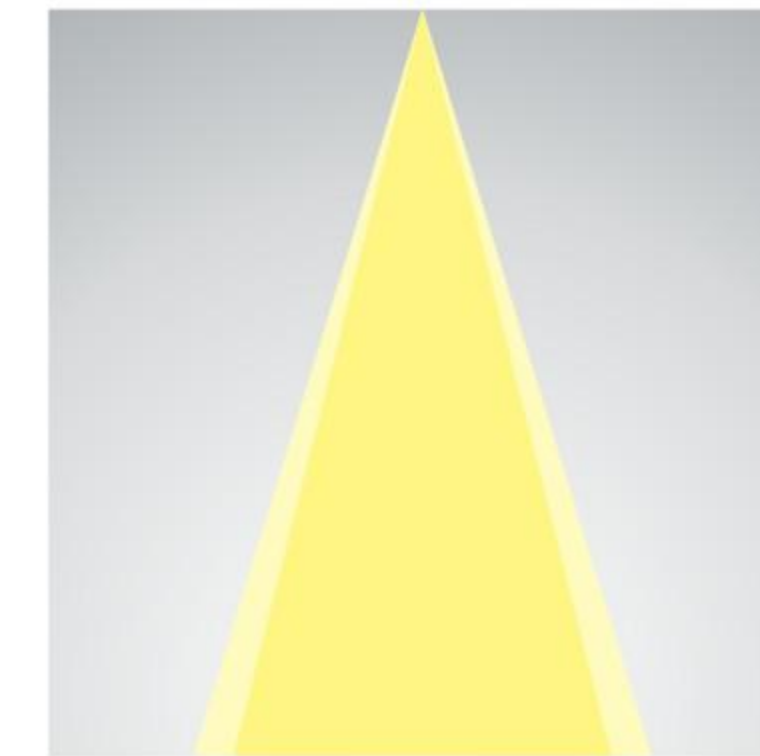
5.2W 22° 3000K



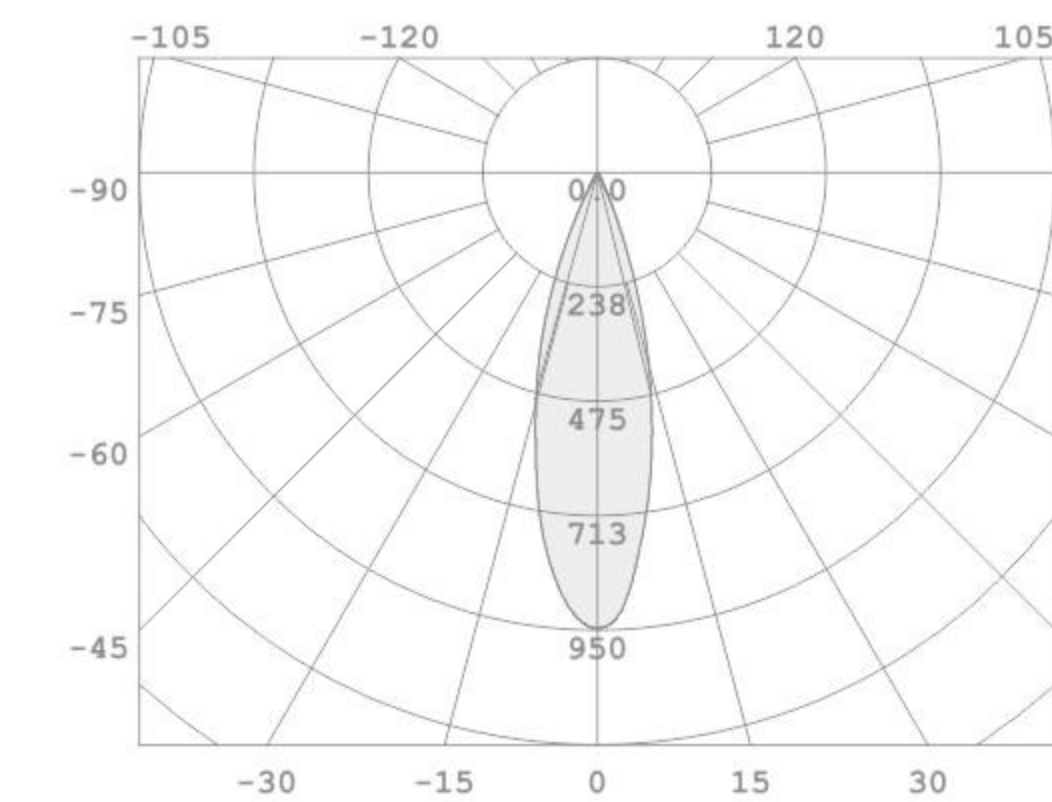
5.2W 22° 3000K



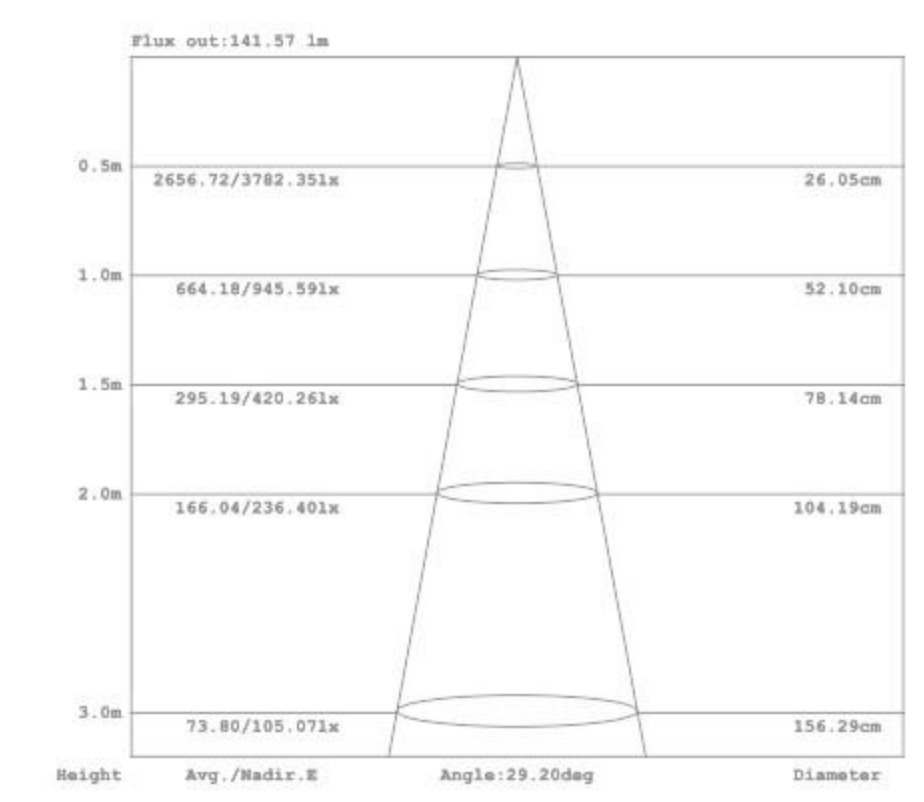
ANGLE L

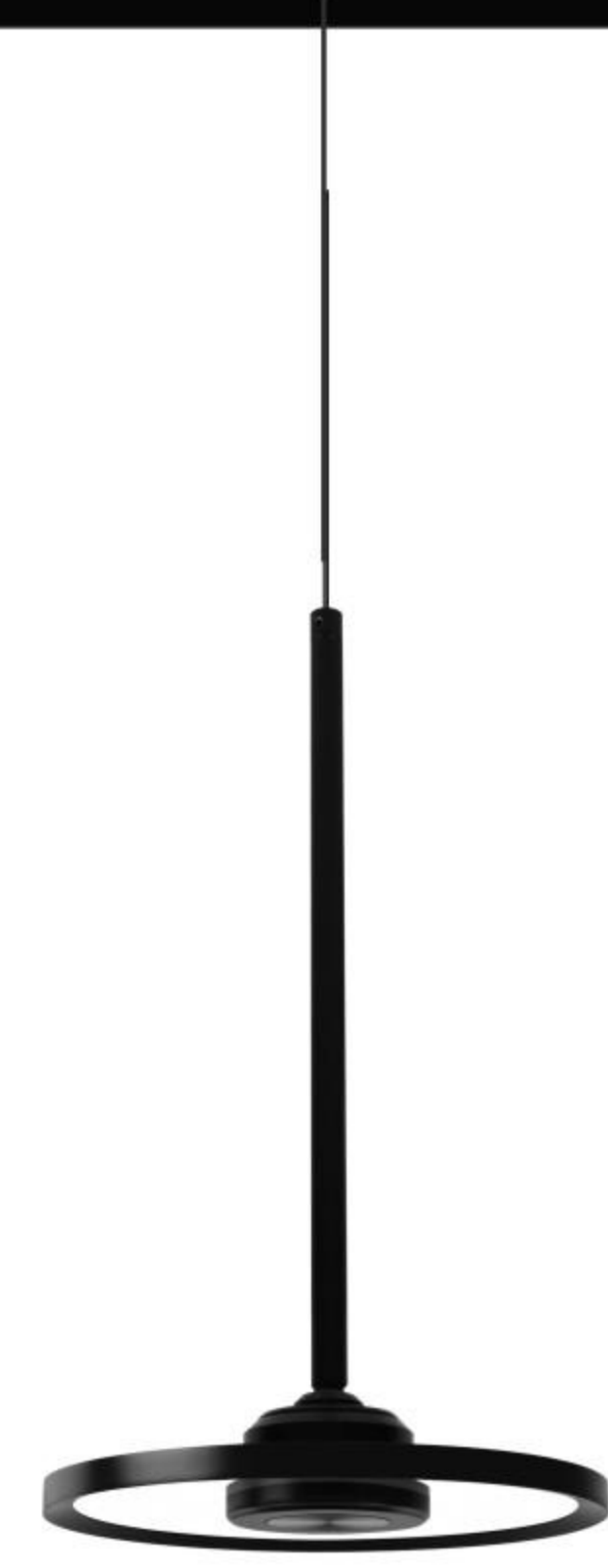


5.4W 29° 3000K



5.4W 29° 3000K





COBIN KS 25



ELF KS P

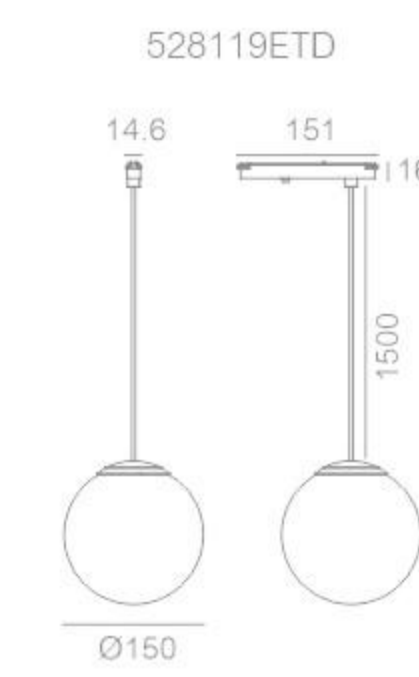
COBIN KS 25

LED POWER: 5.5W  
 LED LUMEN: 510lm  
 SYSTEM POWER: 6.4W  
 SYSTEM OUTPUT: 100lm/2700-6000K  
 INPUT: 48VDC  
 CRI: 80  
 DIMENSION: Ø248\*325mm

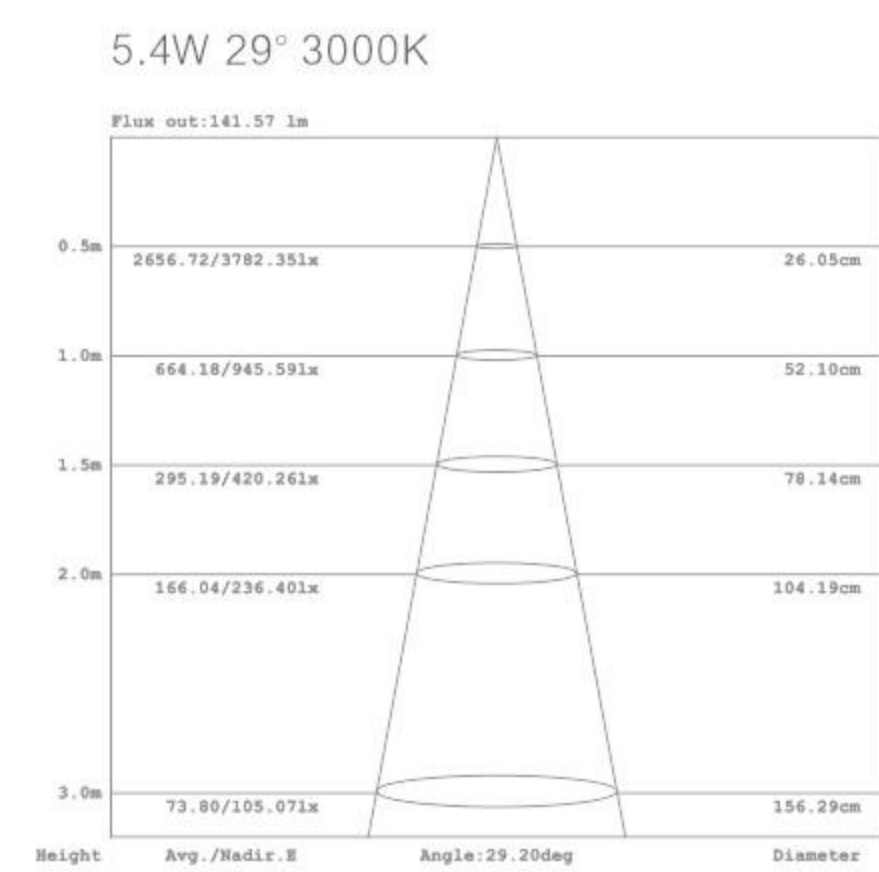
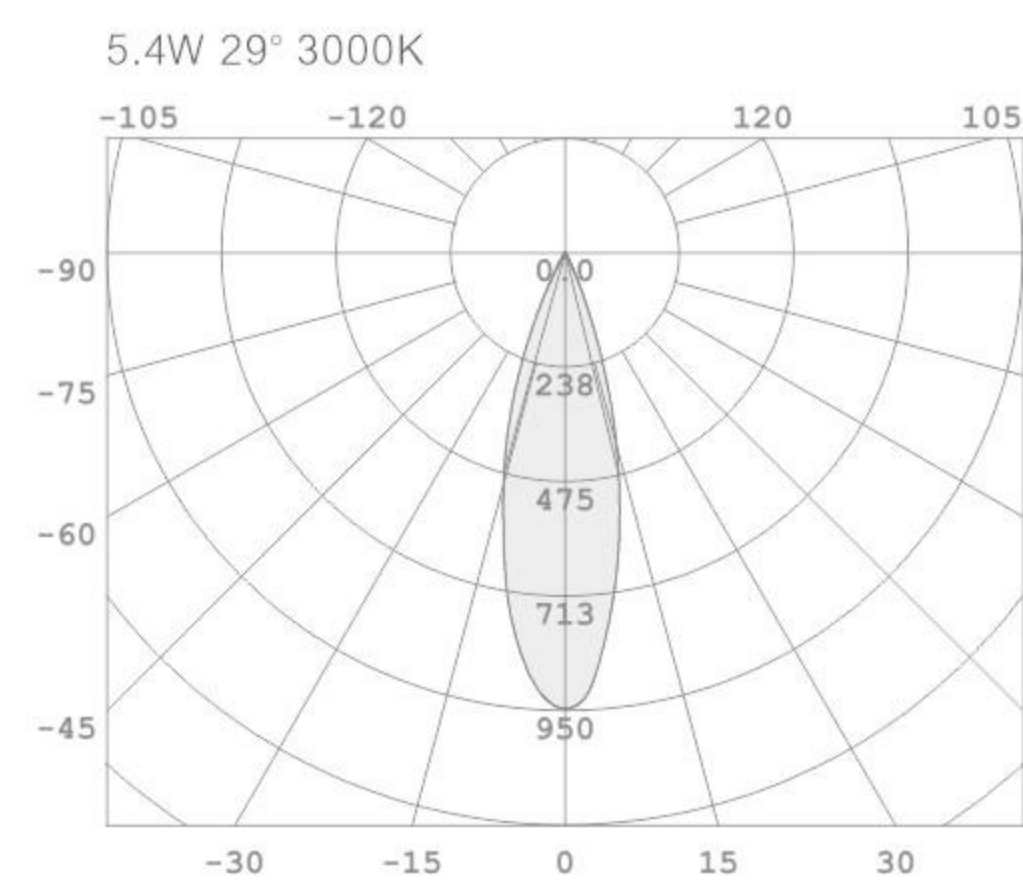
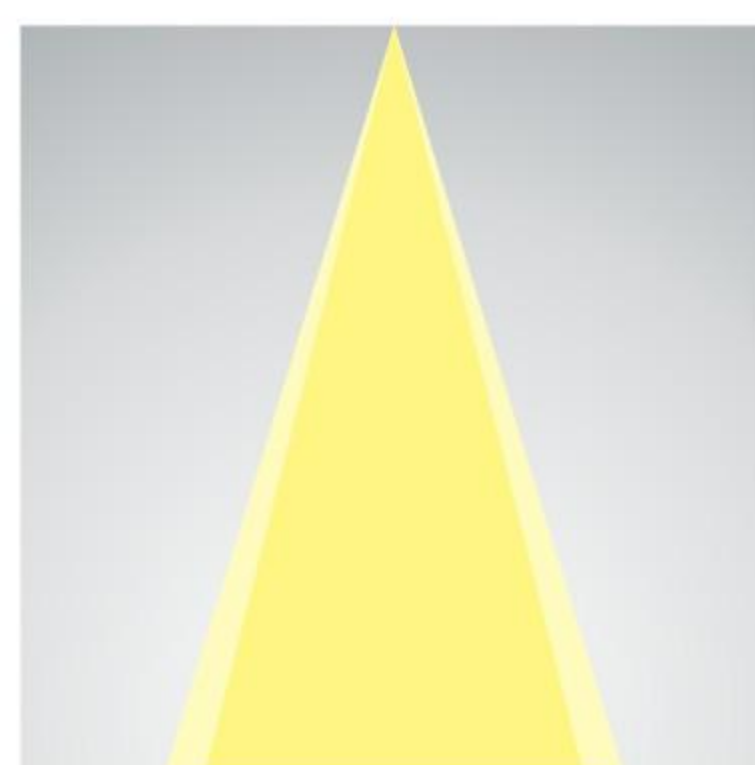


ELF KS P

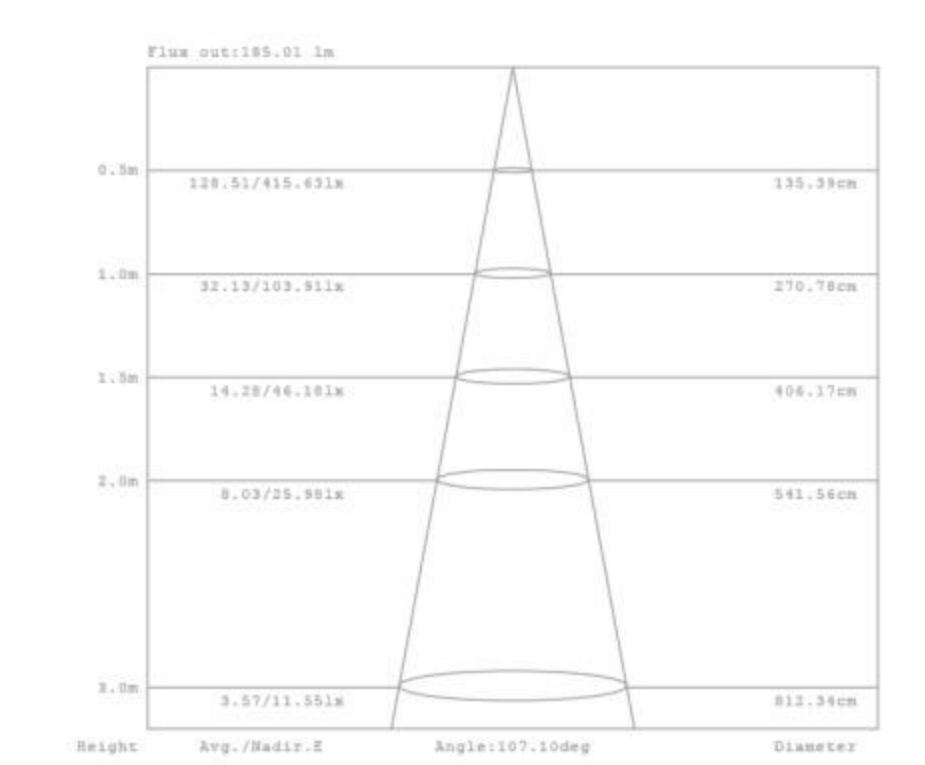
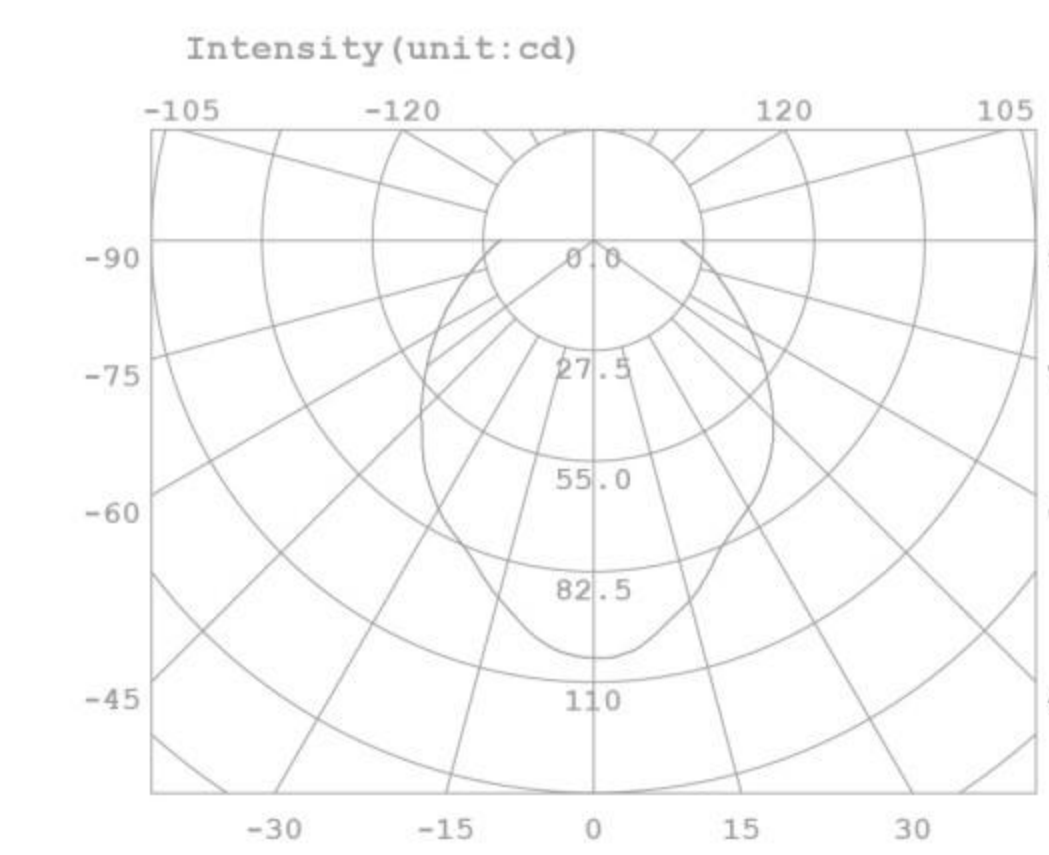
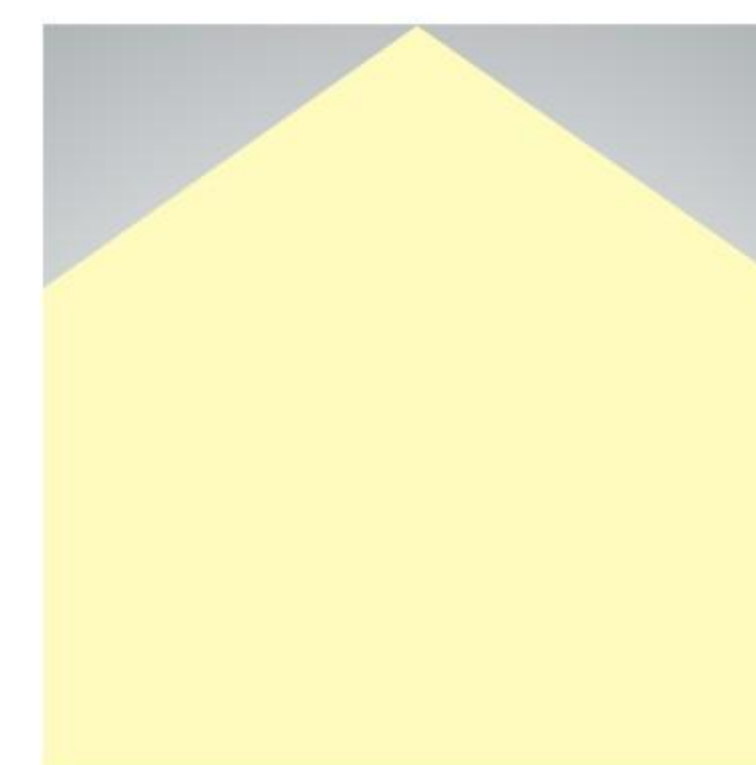
LED POWER: 4.6W  
 LED LUMEN: 549LM/3000K  
 LUMINAIRE LUMEN: 350LM/3000K  
 INPUT: 48V DC  
 CRI: 90  
 DIMENSION: Ø150mm  
 HOLE SIZE: /

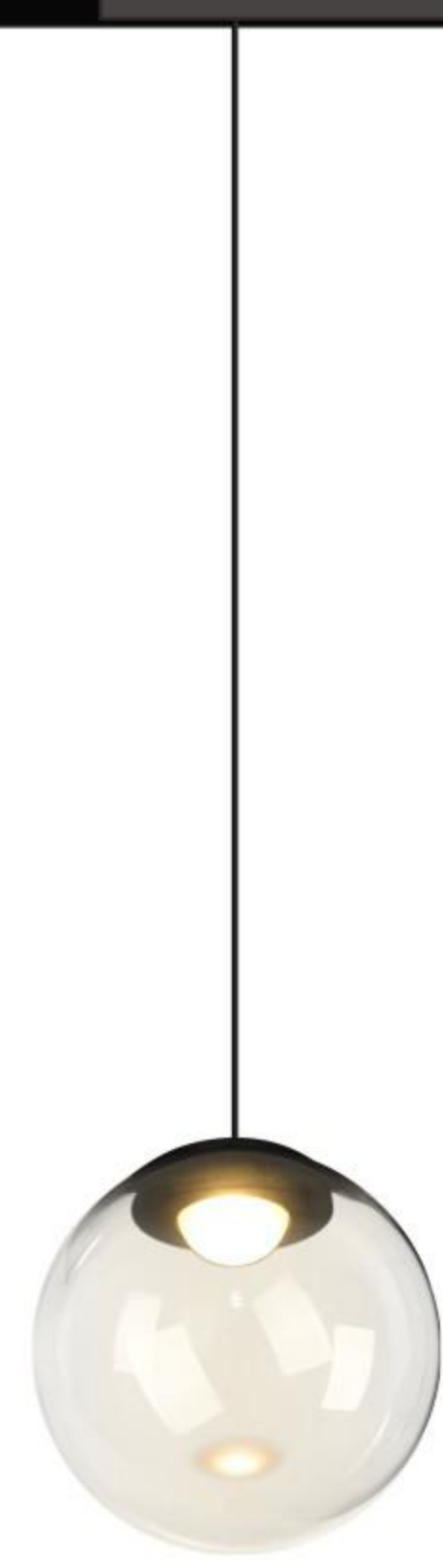


ANGLE L



ANGLE L





FAIRY KS G4



FORMULIA KS

155

156

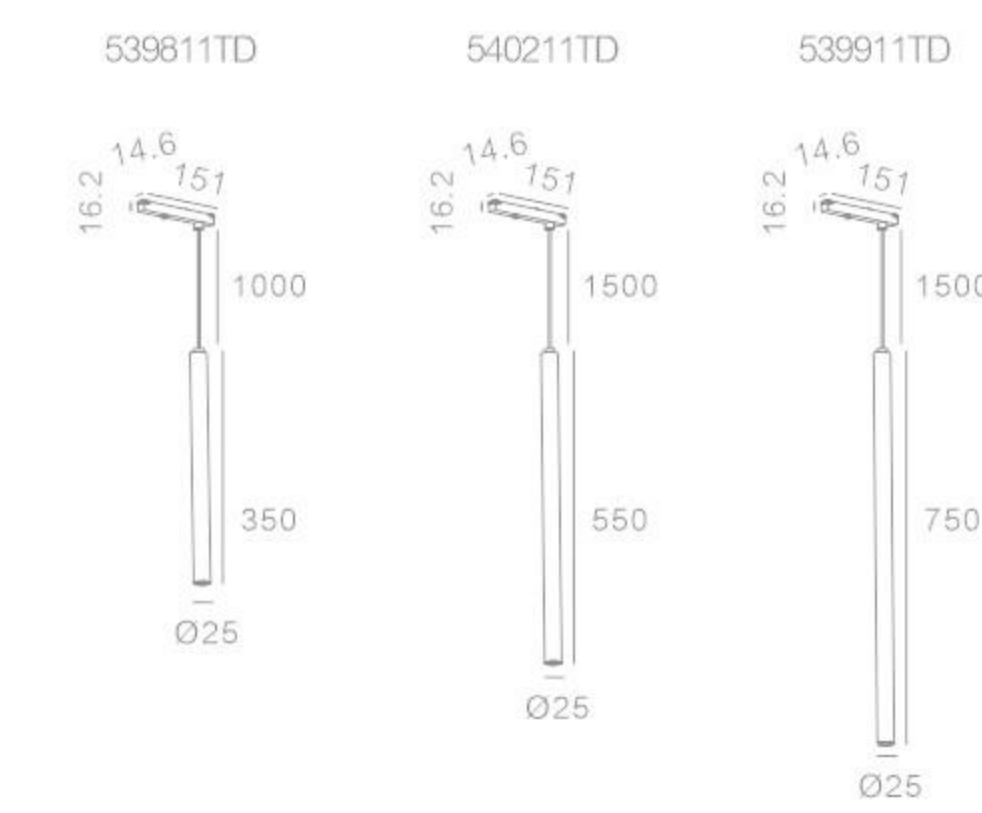
FAIRY KS G4

LED POWER: 4.6W  
 LED LUMEN: 549LM/3000K  
 LUMINAIRE LUMEN: 326LM/3000K  
 INPUT: 48V DC  
 CRI: 90  
 DIMENSION: Ø150mm  
 HOLE SIZE: /

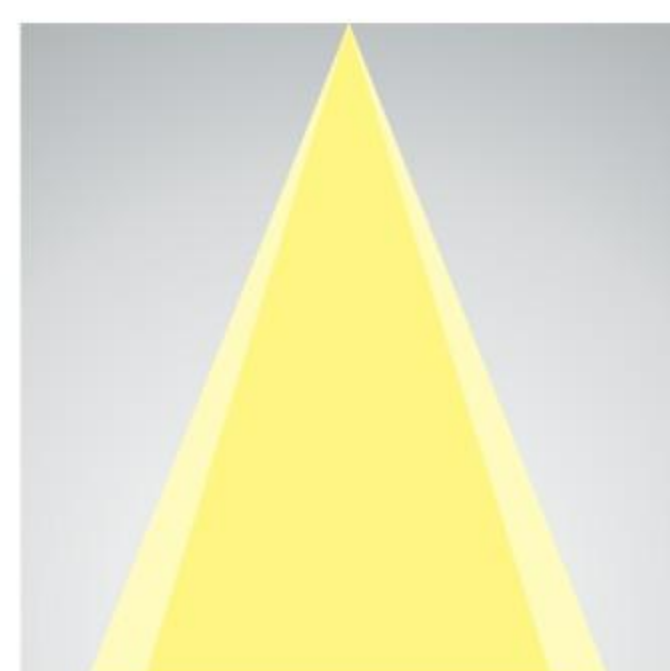


FORMULIA KS 350/550/750

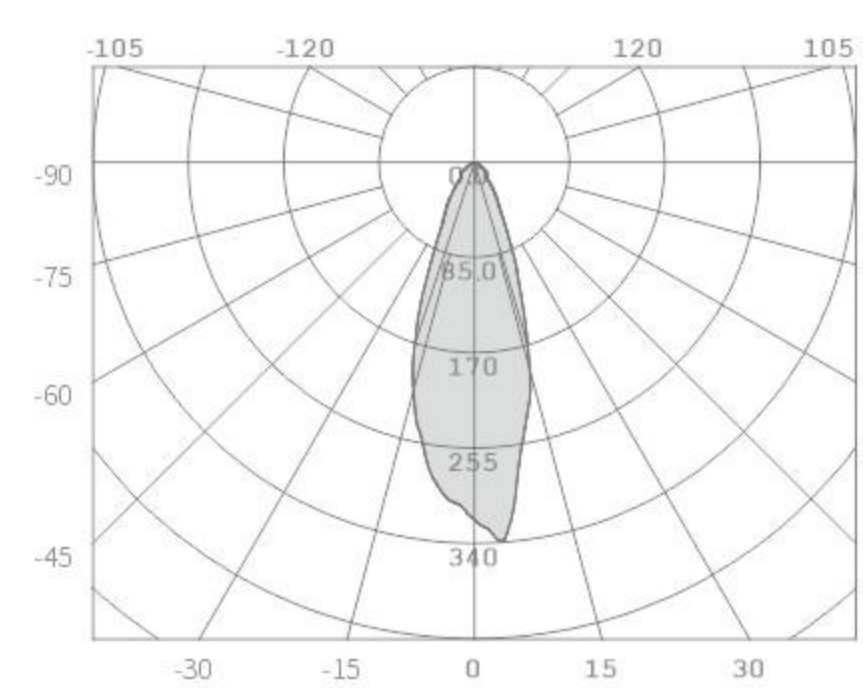
LED POWER: 6W  
 5.4W  
 6W  
 LED LUMEN: 660LM/3000K  
 /  
 660LM/3000K  
 LUMINAIRE LUMEN: 446LM/3000K  
 225LM/3000K  
 446LM/3000K  
 INPUT: 48V DC  
 CRI: 90  
 DIMENSION: Ø25\*350mm  
 Ø25\*556mm  
 Ø25\*750mm  
 HOLE SIZE: /



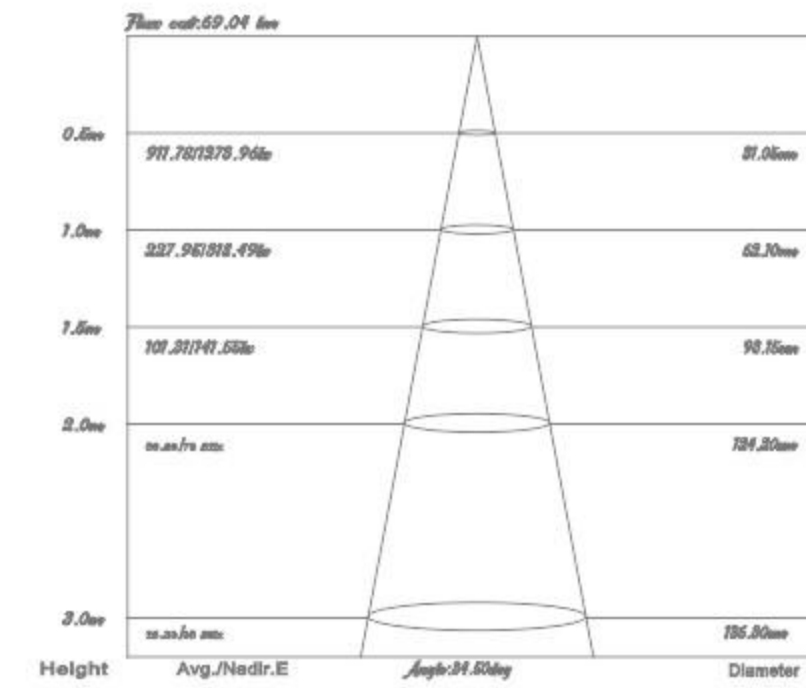
ANGLE 36°



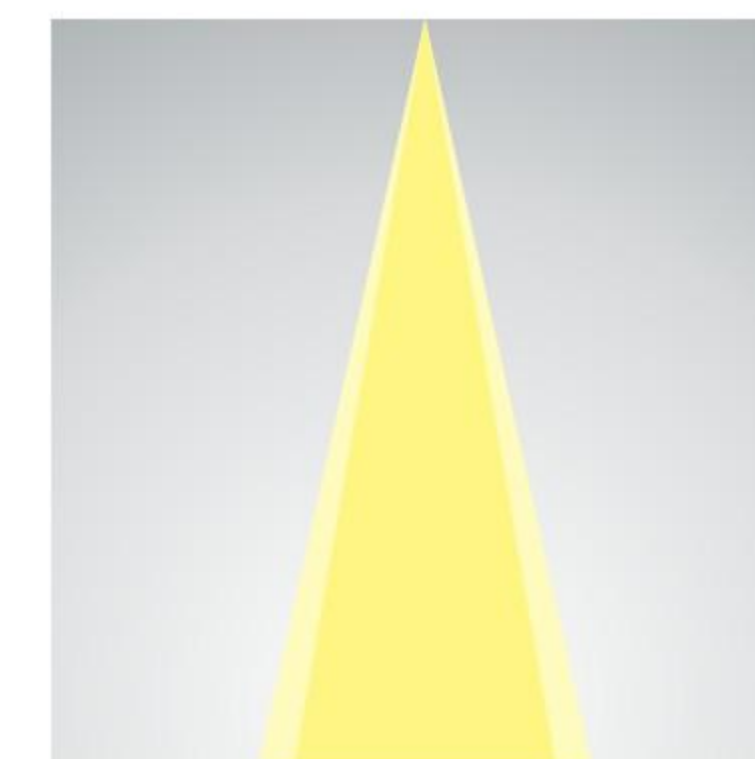
4.6W 36° 3000K



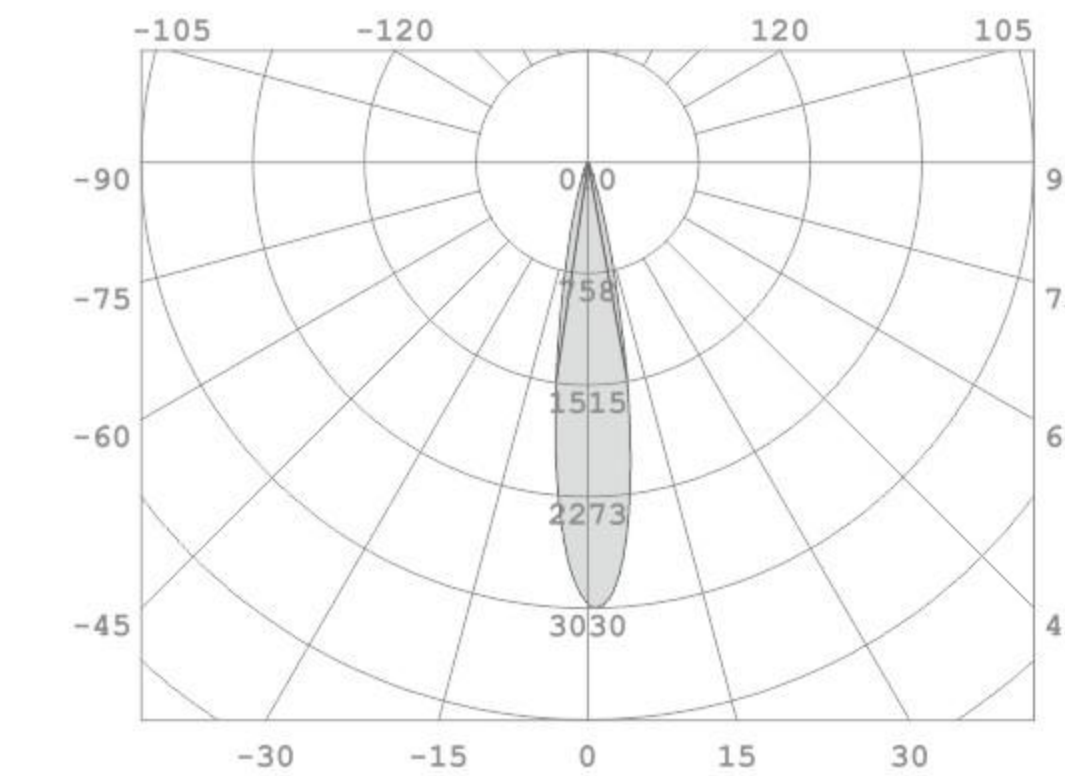
4.6W 36° 3000K



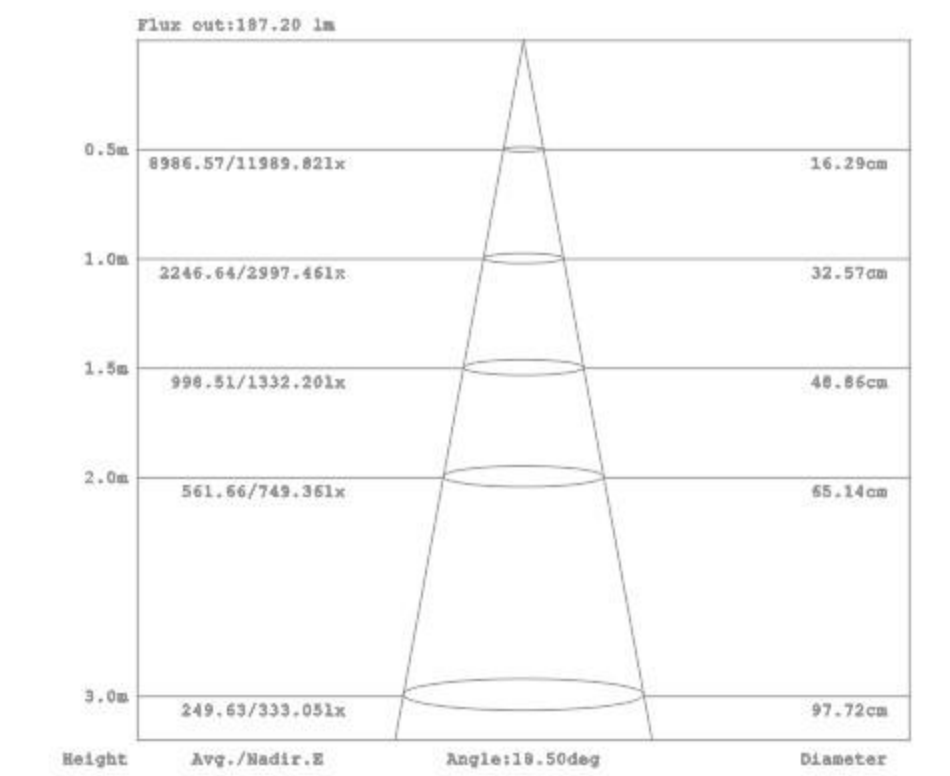
ANGLE 19°



7W 20° 3000K



7W 19° 3000K







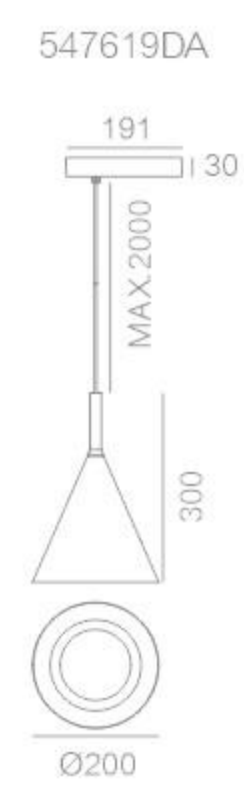
HOPPER KS S



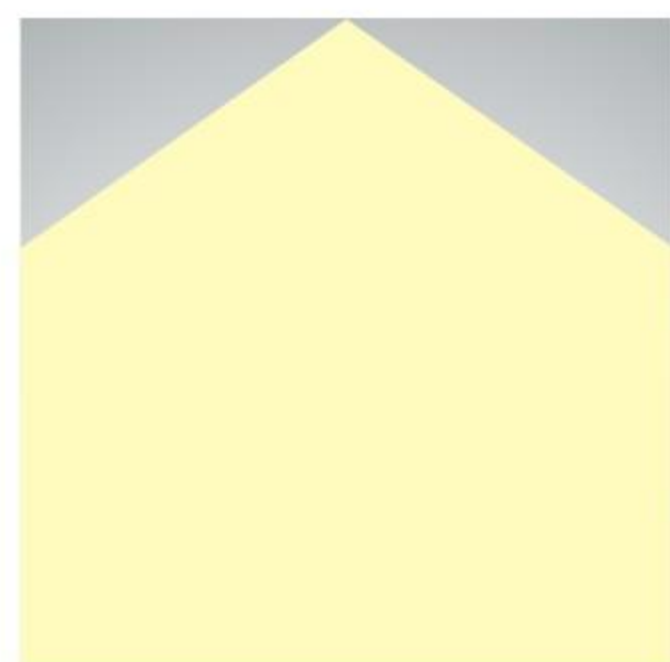
HOPPER KS M

HOPPER KS S 

LED POWER: 6.74W  
 LED LUMEN: 814LM  
 LUMINAIRE LUMEN: 320LM/3000K  
 INPUT: 48V DC  
 CRI: 90  
 DIMENSION: Ø200\*300mm  
 HOLE SIZE: /

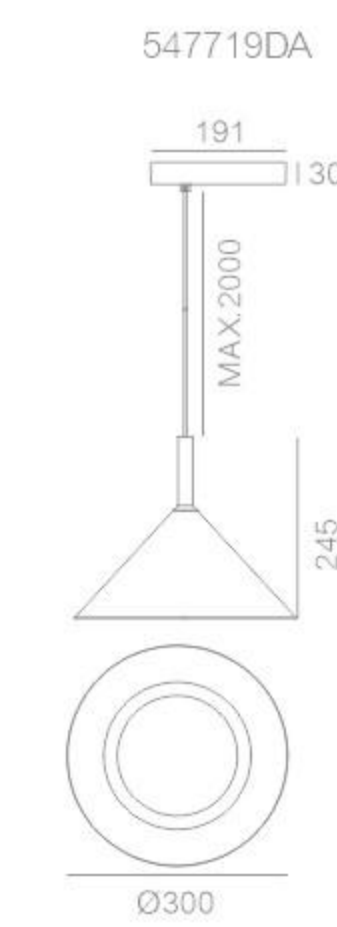


ANGLE L

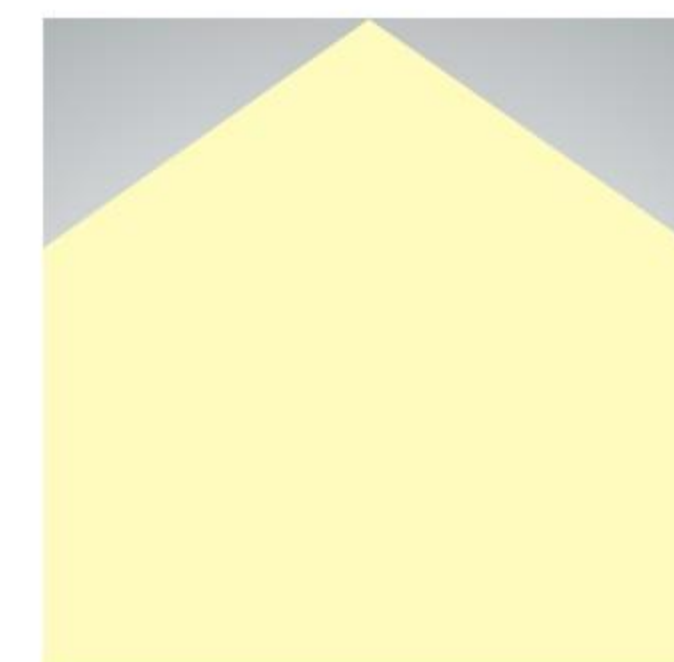


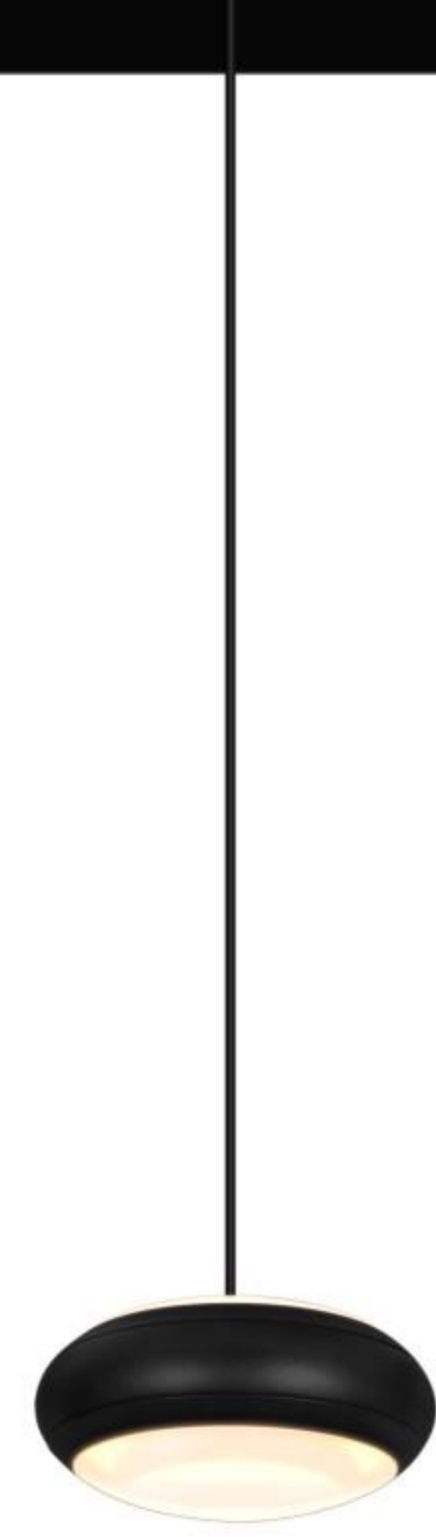
HOPPER KS M 

LED POWER: 14W  
 LED LUMEN: 1505LM  
 LUMINAIRE LUMEN: 659LM/3000K  
 INPUT: 48V DC  
 CRI: 90  
 DIMENSION: Ø300\*245mm  
 HOLE SIZE: /



ANGLE L





LISSO KS P



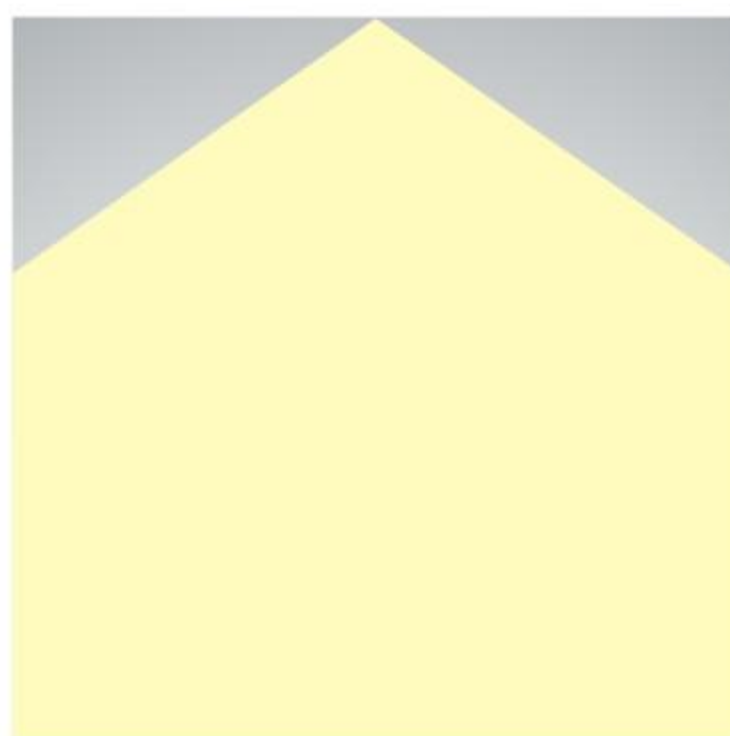
MELA KS P

LISSO KS P 

LED POWER: 9W  
 LED OUTPUT: 1150LM/3000K  
 LUMINAIRE LUMEN: 420LM/3000K  
 INPUT: 48V DC  
 CRI: 90  
 DIMENSION: Ø135\*70mm  
 HOLE SIZE: /

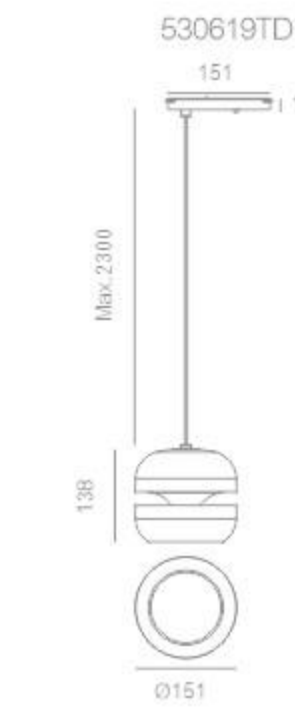


ANGLE L

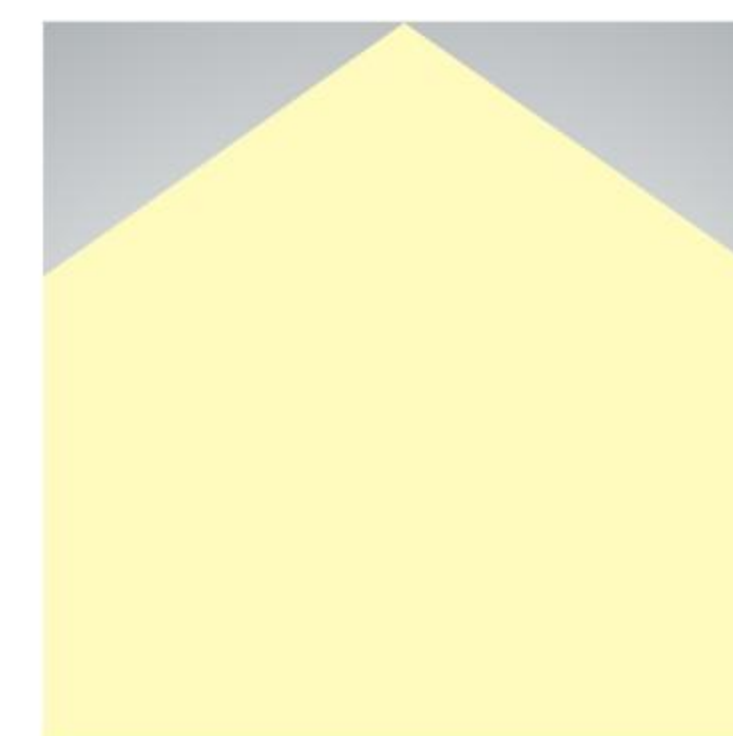


MELA KS P 

LED POWER: 9W  
 LED OUTPUT: 1100LM/3000K  
 LUMINAIRE LUMEN: 410LM/3000K  
 INPUT: 48V DC  
 CRI: 90  
 DIMENSION: Ø151\*138mm  
 HOLE SIZE: /



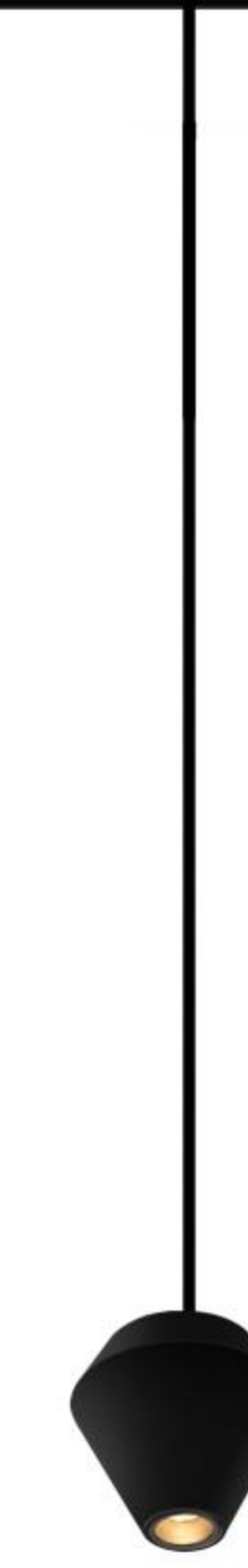
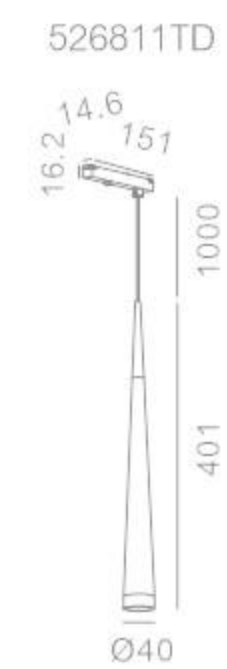
ANGLE L






MIA KS S

MIA KS S   
 LED POWER: 5.4W  
 LED LUMEN: /  
 LUMINAIRE LUMEN: 255LM/3000K  
 INPUT: 48V DC  
 CRI: 90  
 DIMENSION: Ø40\*401mm  
 HOLE SIZE: /

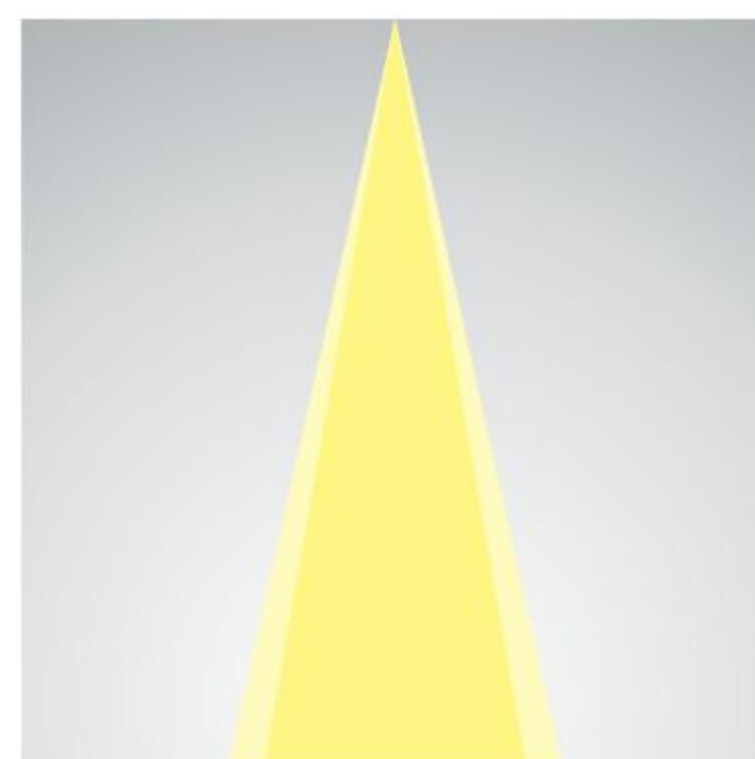


PALLAS KS DIAMOND

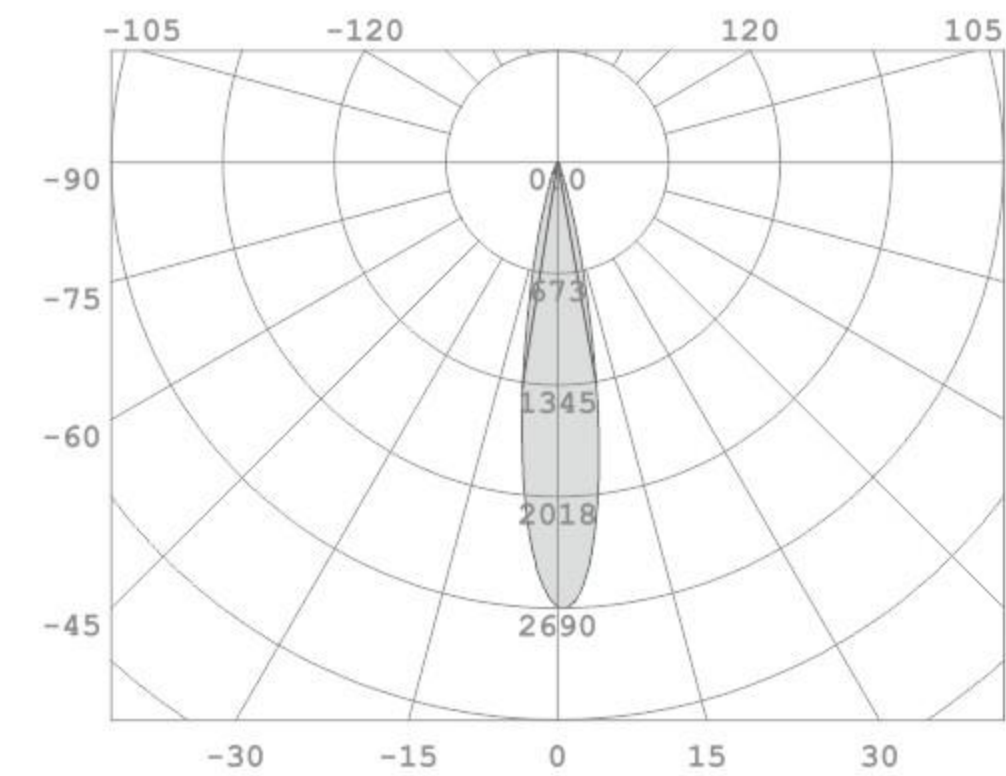
PALLAS KS DIAMOND   
 LED POWER: 6W  
 LED LUMEN: 660LM/3000K  
 LUMINAIRE LUMEN: 446LM/3000K  
 INPUT: 48V DC  
 CRI: 90  
 DIMENSION: Ø73\*68mm  
 HOLE SIZE: /



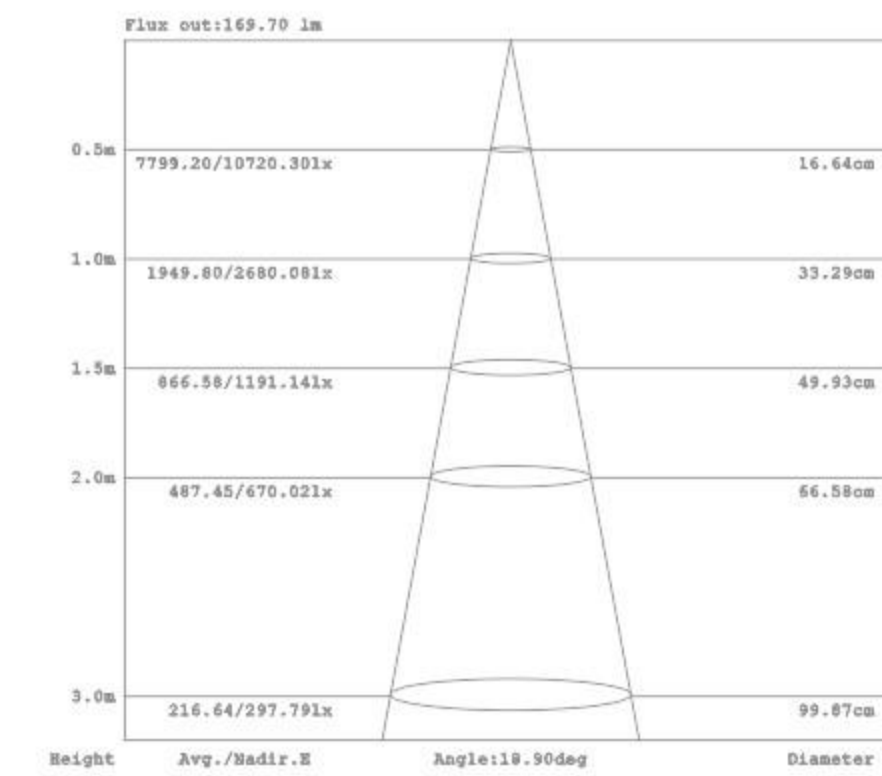
ANGLE 20°



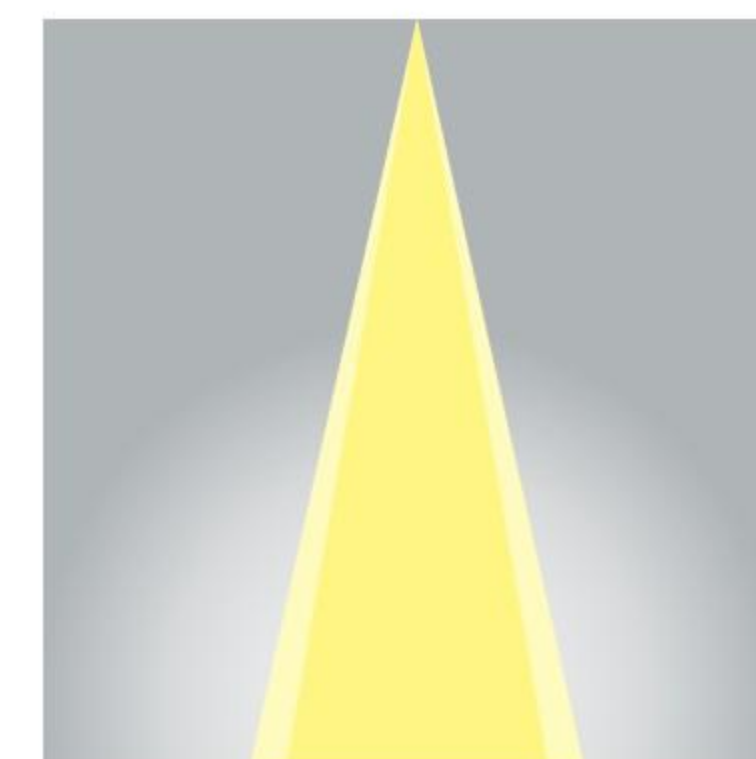
6.2W 20° 3000K



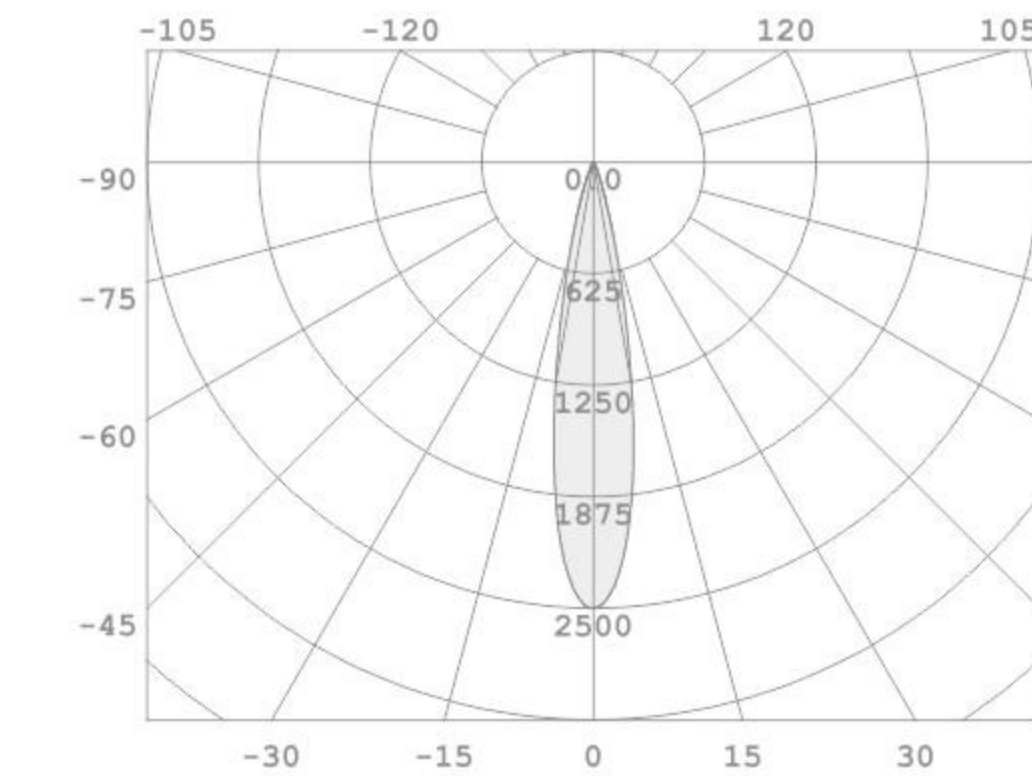
6.2W 20° 3000K



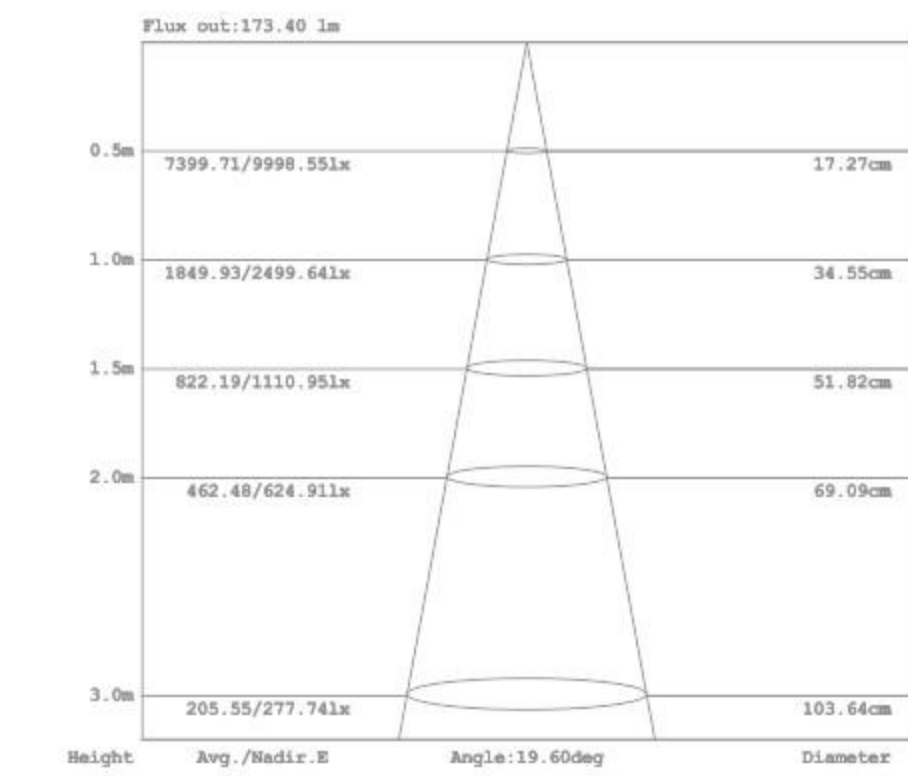
ANGLE 19°

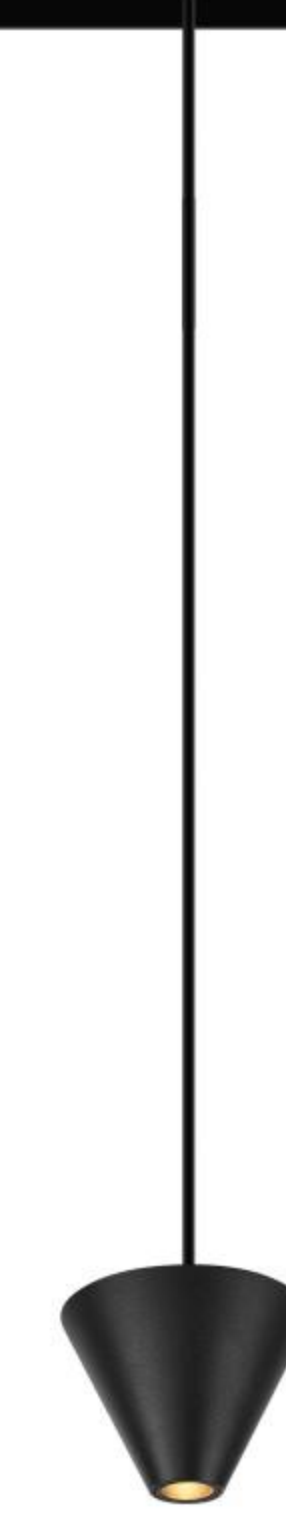


7W 19° 3000K



7W 19° 3000K





PALLAS KS EGG

PALLAS KS FUNNEL

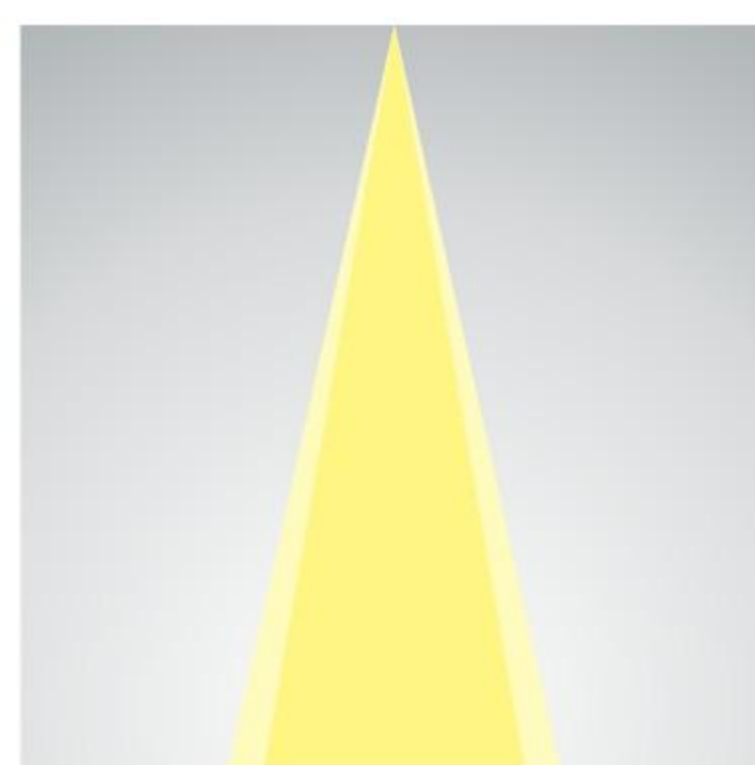
PALLAS KS EGG   
 LED POWER: 5.2W  
 LED LUMEN: 467LM/3000K  
 LUMINAIRE LUMEN: 361LM/3000K  
 INPUT: 48V DC  
 CRI: 90  
 DIMENSION: Ø60\*78mm  
 HOLE SIZE: /



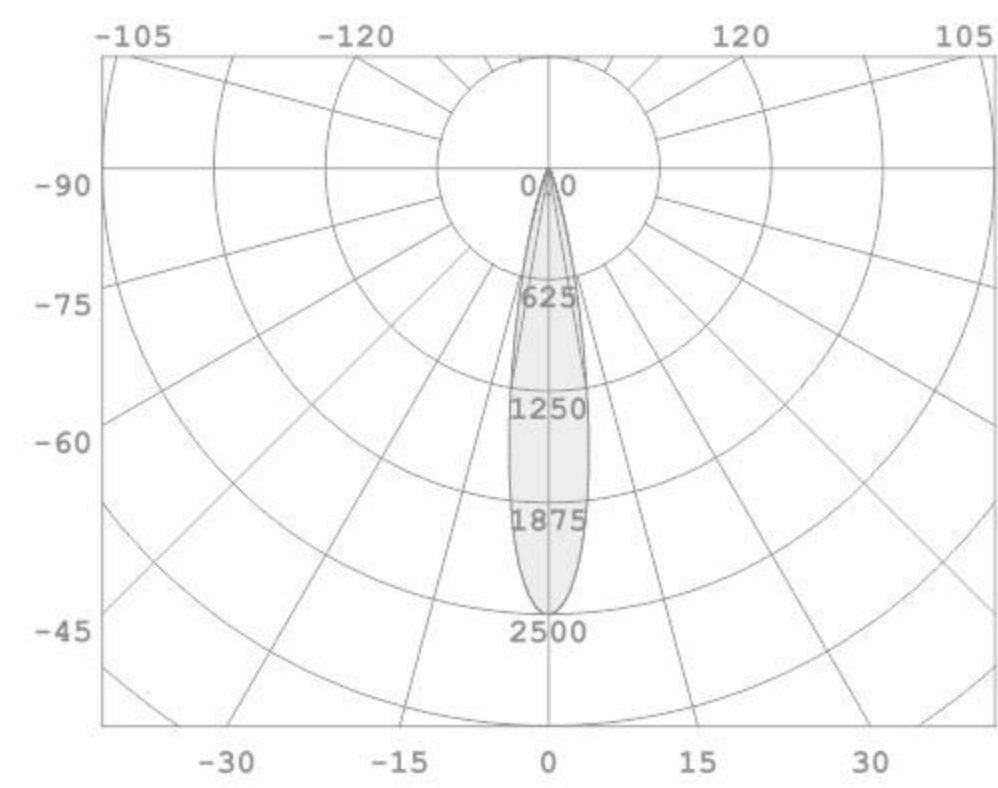
PALLAS KS FUNNEL   
 LED POWER: 6W  
 LED LUMEN: 660LM/3000K  
 LUMINAIRE LUMEN: 446LM/3000K  
 INPUT: 48V DC  
 CRI: 90  
 DIMENSION: Ø91.6\*68mm  
 HOLE SIZE: /



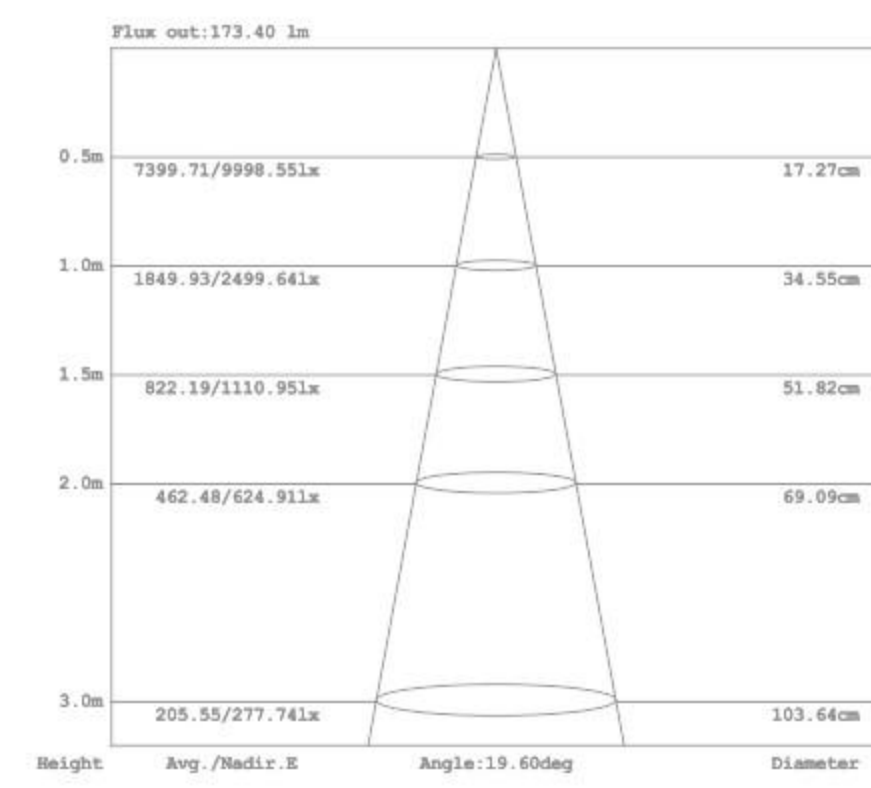
ANGLE 20°



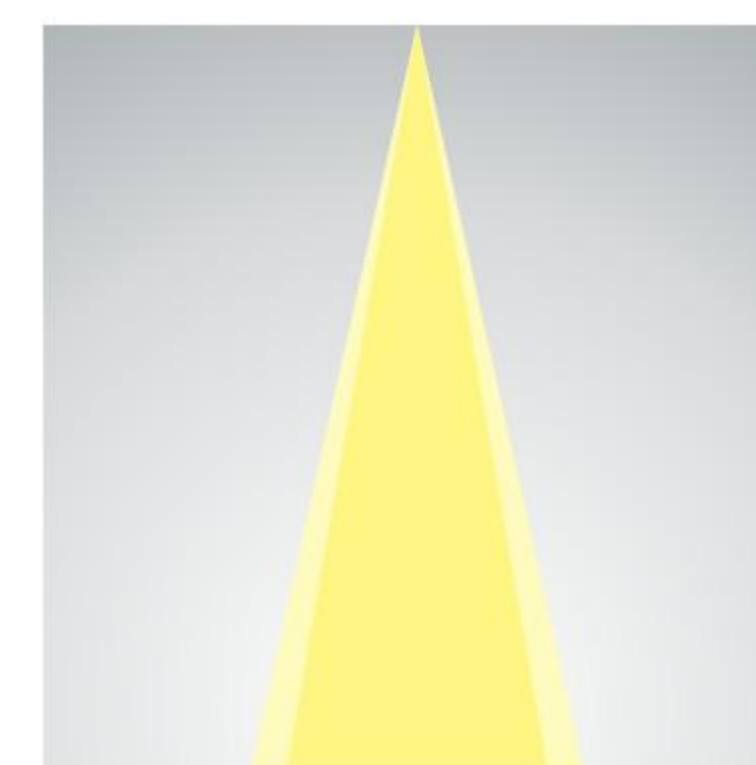
6.7W 20° 3000K



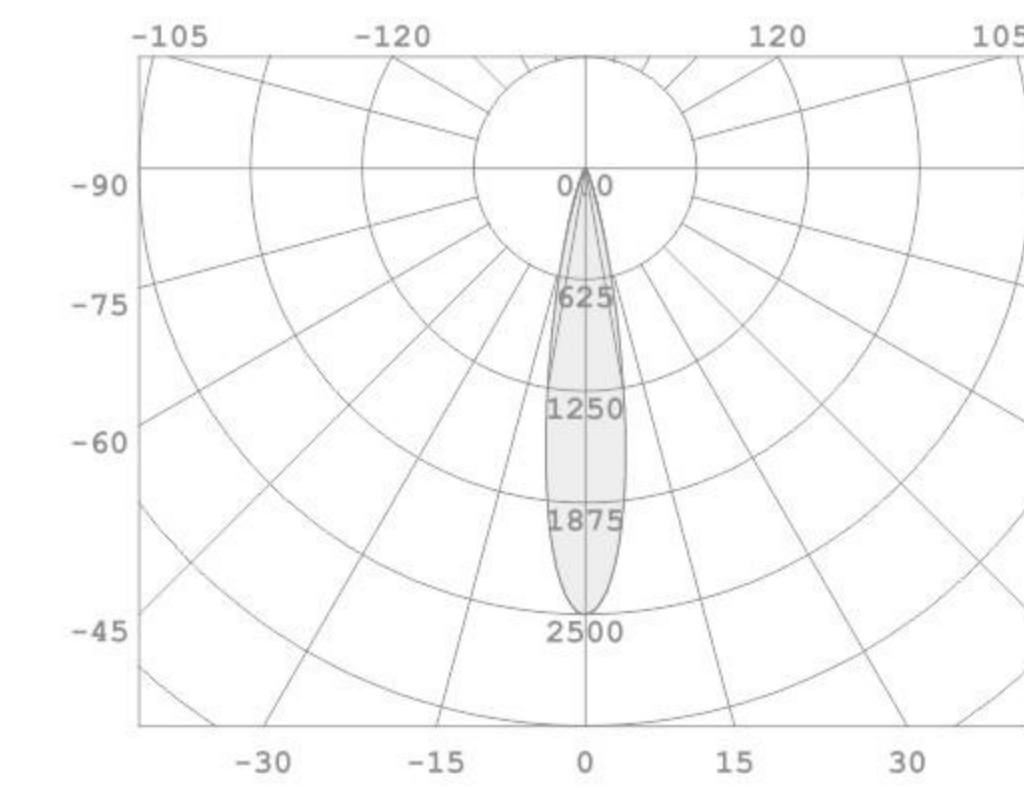
6.7W 20° 3000K



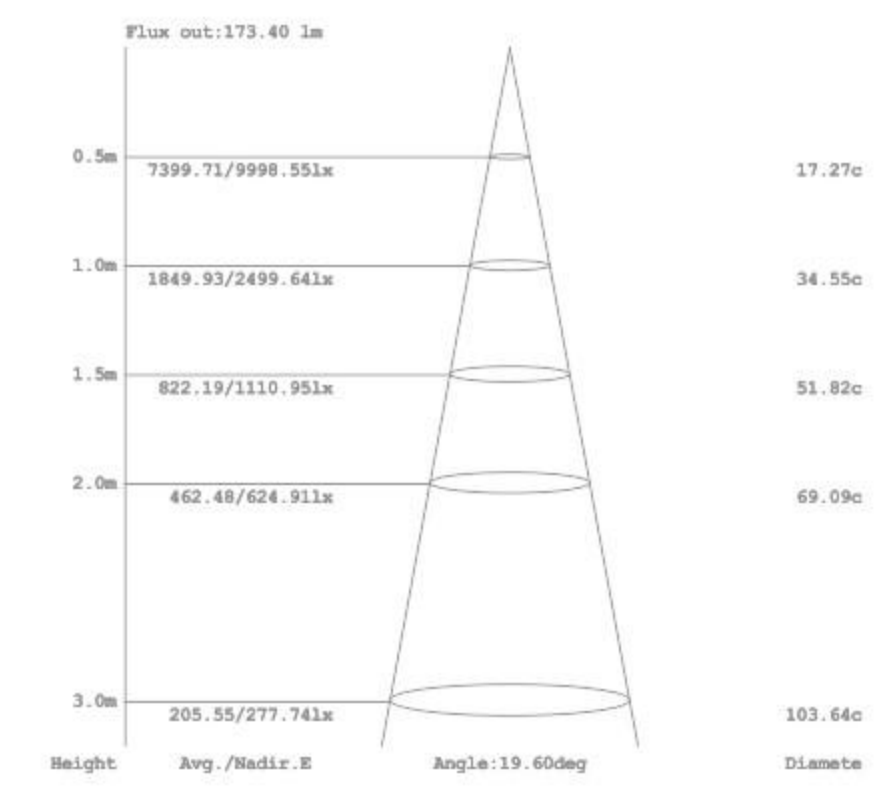
ANGLE 19°



7W 19° 3000K



7W 19° 3000K

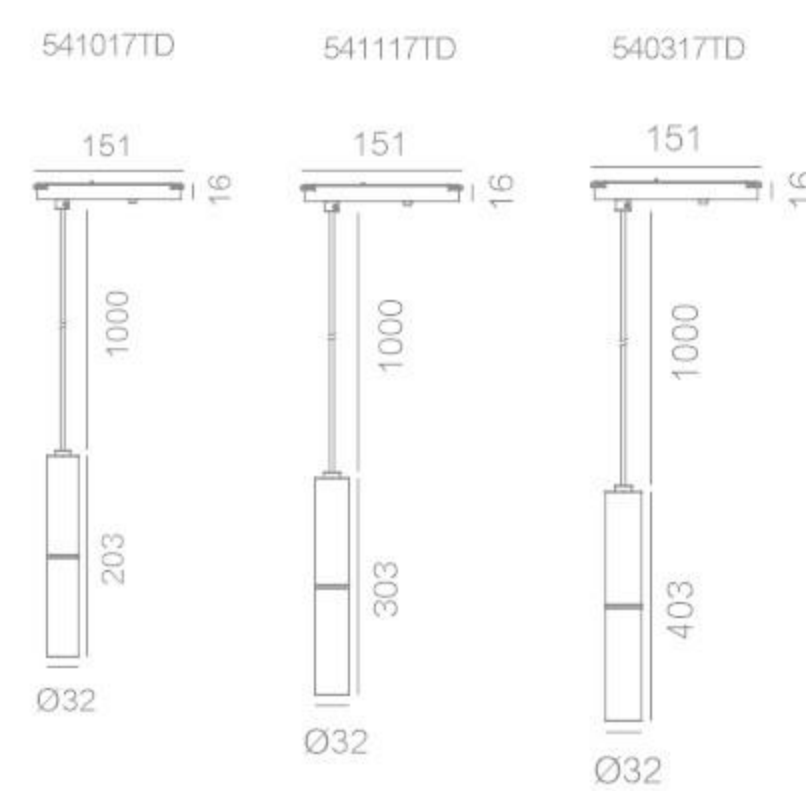




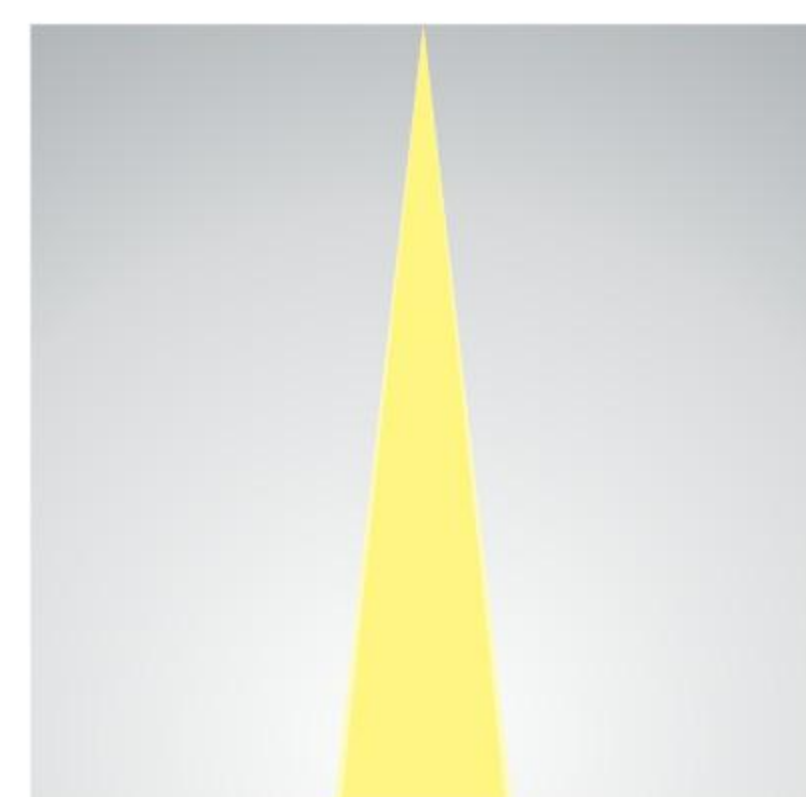
PROMEO KS

PROMEO KS L1 / L2 / L3

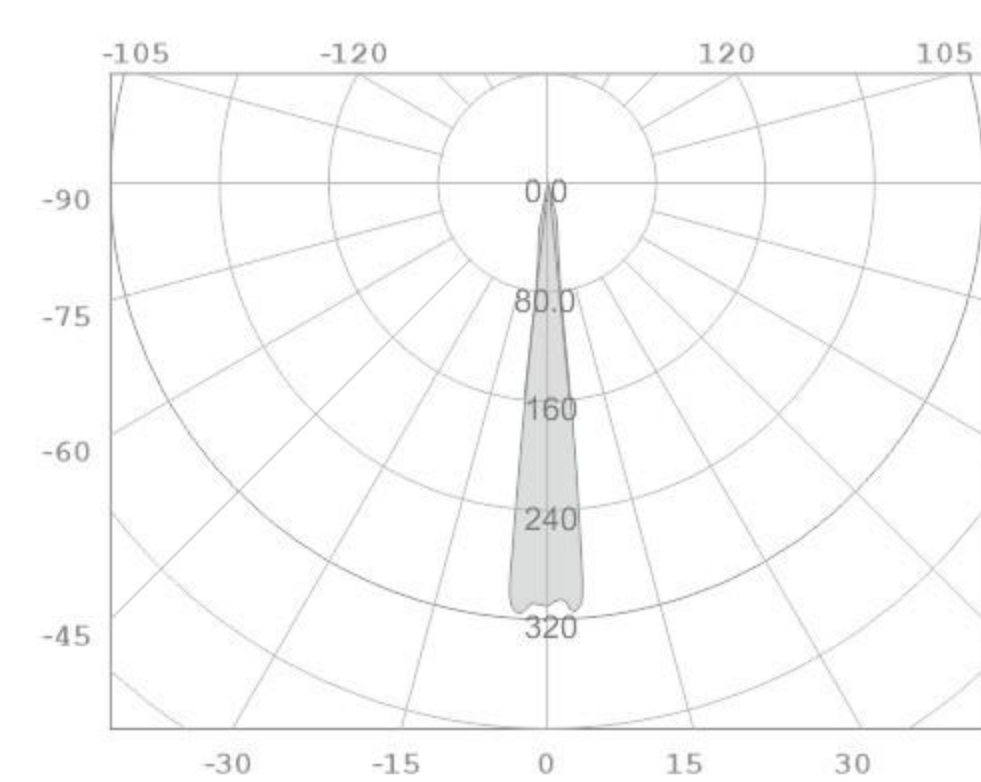
LED POWER:2.2W  
CRI: 80  
LUMINAIRE LUMEN: 28LM/3000K  
INPUT:48VDC  
DIMENSION: Ø32\*203mm  
                  Ø32\*303mm  
                  Ø32\*403mm  
HOLE SIZE: /



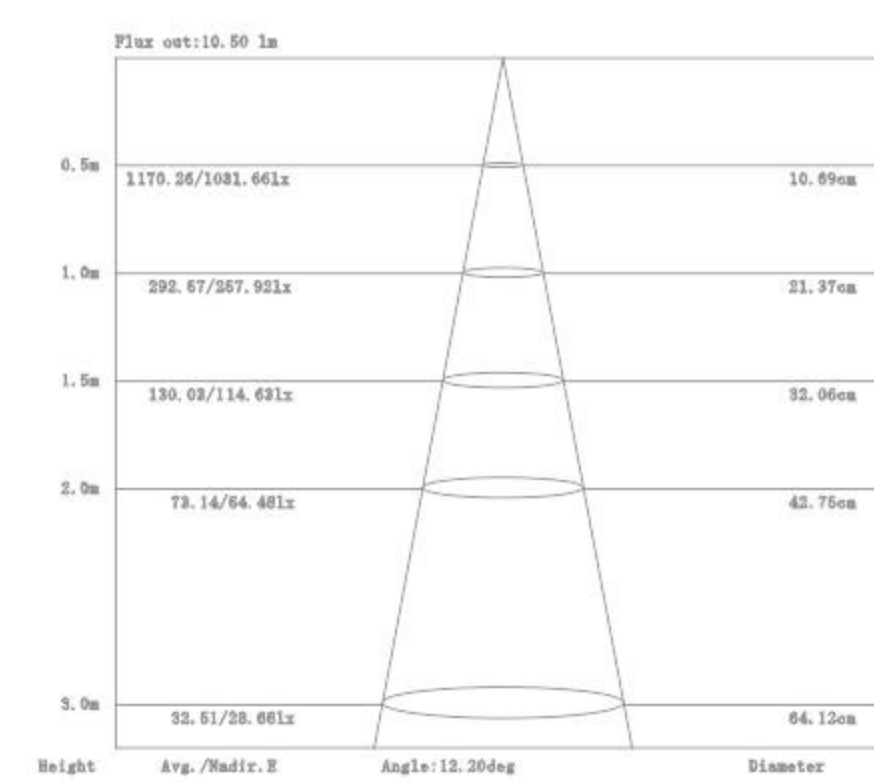
ANGLE 12°



2.2W 12° 3000K


















2.2W 12° 3000K








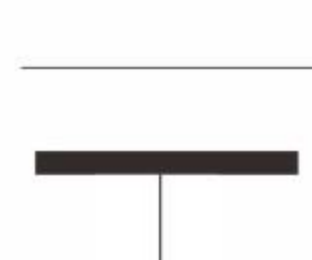



OPTION(Spot light/Flood light):

PHOTO	CODE	POWER	COLOR TEMP	BEAN ANGLE	CCT	DRIVER TYPE
	525311	6.5W	Matte Black/Matte White Champagne Gold	14°	2700K/3000K 3500K/4000K	TD
	525215	11.5W	Matte Black/Matte White Champagne Gold	26°	2700K/3000K 3500K/4000K	TD
	533414	5.7W	Sandy Black/Sandy White	L	2700K/3000K 3500K/4000K	TD
	533514	9.6W	Sandy Black/Sandy White	L	2700K/3000K 3500K/4000K	TD
	525019	7.5W	Matte Black/Champagne Gold	19°/28°	3000K/3500K	TD
	530819	9.6W	Sandy Black/Champagne Gold	19°/28°	2700K/3000K 3500K/4000K	TD
	531219	13.8W	Sandy Black/Champagne Gold	18°/32°	2700K/3000K 3500K/4000K	TD
	524814	14W	Sandy Black/Sandy White	L	2700K/3000K 3500K/4000K	TD
	531911	9.2W	Sandy Black/Champagne Gold	6°	2700K/3000K 3500K/4000K	TD
	524917	1.2W	Sandy Black-Sandy Black	22°	2700K/3000K 3500K/4000K	TD
	532019	7.5W	Sandy Black-Sandy Black	28°/38°/48°	2700K/3000K 4000K/5000K	TD
	532419	7.5W	Sandy Black-Sandy Black	28°/38°/48°	2700K/3000K 4000K/5000K	TD









OPTION(Linear lighting):

PHOTO	CODE	POWER	COLOR TEMP	BEAN ANGLE	CCT	DRIVER TYPE
	526517	3W	Matte Black	20°	2700K/3000K 3500K/4000K	ON/OFF
	526617	3.7W	Matte Black	18°	2700K/3000K 3500K/4000K	ON/OFF
	552116	3.5W	Matte Black	19°	2700K/3000K 4000K	ON/OFF
	526714	10W	Matte Black	L	3000K/3500K	ON/OFF
	525414	11.4W	Matte Black	L	2700K/3000K 3500K/4000K	ON/OFF
	525514	20W	Matte Black	L	2700K/3000K 3500K/4000K	ON/OFF
	525614	30W	Matte Black	L	2700K/3000K 3500K/4000K	ON/OFF
	525714	40W	Matte Black	L	2700K/3000K 3500K/4000K	ON/OFF
	525814	50W	Matte Black	L	2700K/3000K 3500K/4000K	ON/OFF
	525914	5W	Matte Black/Champagne Gold	L	2700K/3000K 4000K	ON/OFF
	526214	12W	Matte Black/Champagne Gold	L	2700K/3000K 3500K/4000K	ON/OFF
	526014	5W	Matte Black/Champagne Gold	L	2700K/3000K 3500K/4000K	TD
	526314	12W	Matte Black/Champagne Gold	L	2700K/3000K 3500K/4000K	TD
	526114	5W	Matte Black/Champagne Gold	20°	2700K/3000K 3500K/4000K	TD
	526414	10.4W	Matte Black/Champagne Gold	20°	2700K/3000K 3500K/4000K	TD

OPTION(Pendant lamp):

PHOTO	CODE	POWER	COLOR TEMP	BEAN ANGLE	CCT	DRIVER TYPE
	528315	7W	Sandy Black/Sandy White	22°	3000K/3500K	TD
	537719	6.4W	Matte Black/Matte White Champagne Gold	L	2700K-6000K	APP
	537919	6.4W	Matte Black/Matte White Champagne Gold	L	2700K-6000K	APP
	528119	7.5W	Matte Black/Matte White Champagne Gold	L	2700K/3000K/4000K	TD
	527719	6.7W	Matte Black/Matte White Champagne Gold	36°	3000K/4000K	TD
	539811	7W	Sandy Black Sandy White-Sandy Black Champagne Gold	19°	3000K/3500K	TD
	540211	6.2W	Sandy Black/Sandy White Champagne Gold	20°	3000K/3500K	TD
	535519	7W	Sandy Black Sandy White-Sandy Black Champagne Gold	19°	3000K/3500K	Da2
	547419	7W	Sandy Black-Plain Gold Sandy White-Plain Gold Champagne Gold	L	2700K/3000K/4000K	TD

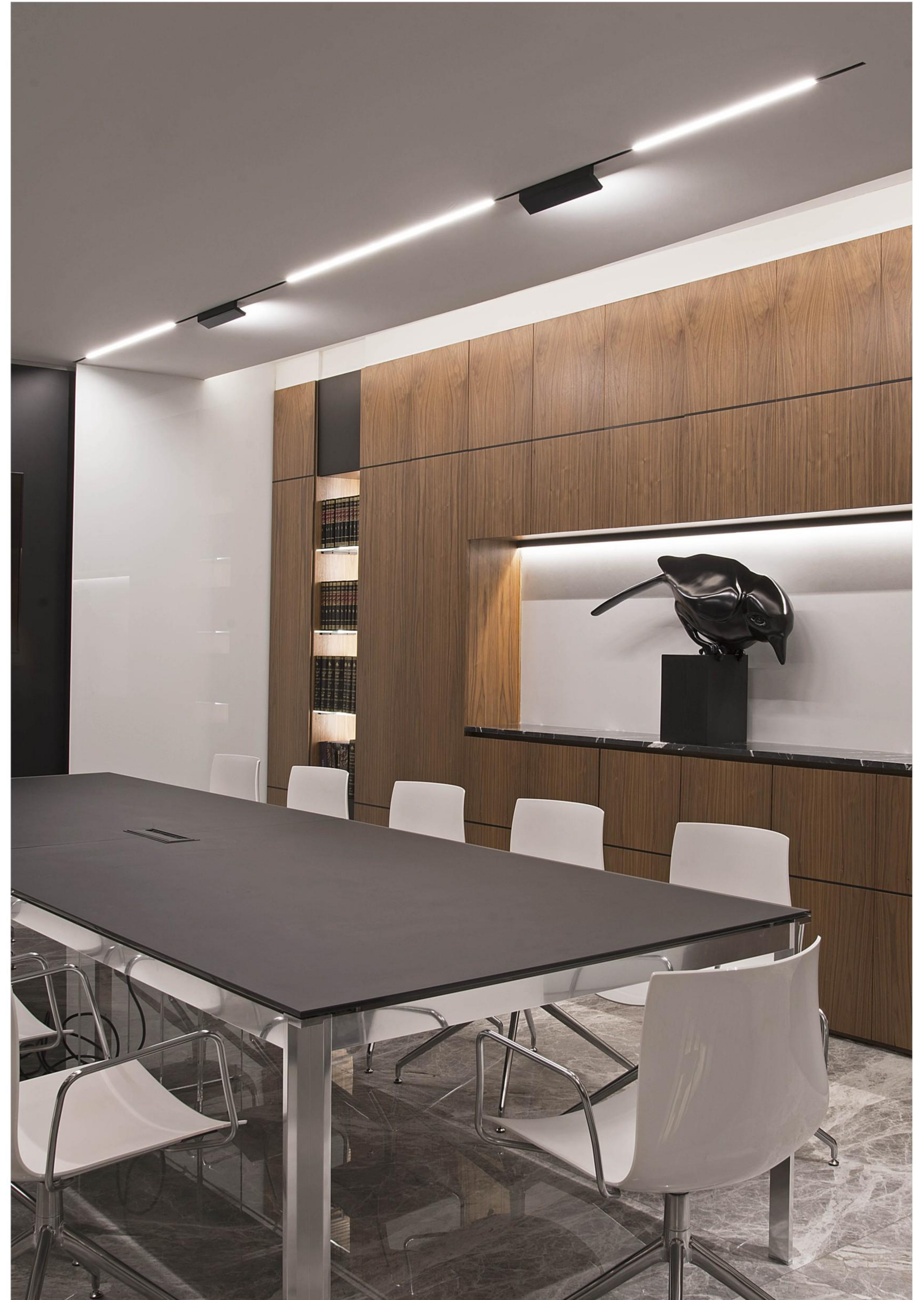
OPTION(Pendant lamp) :

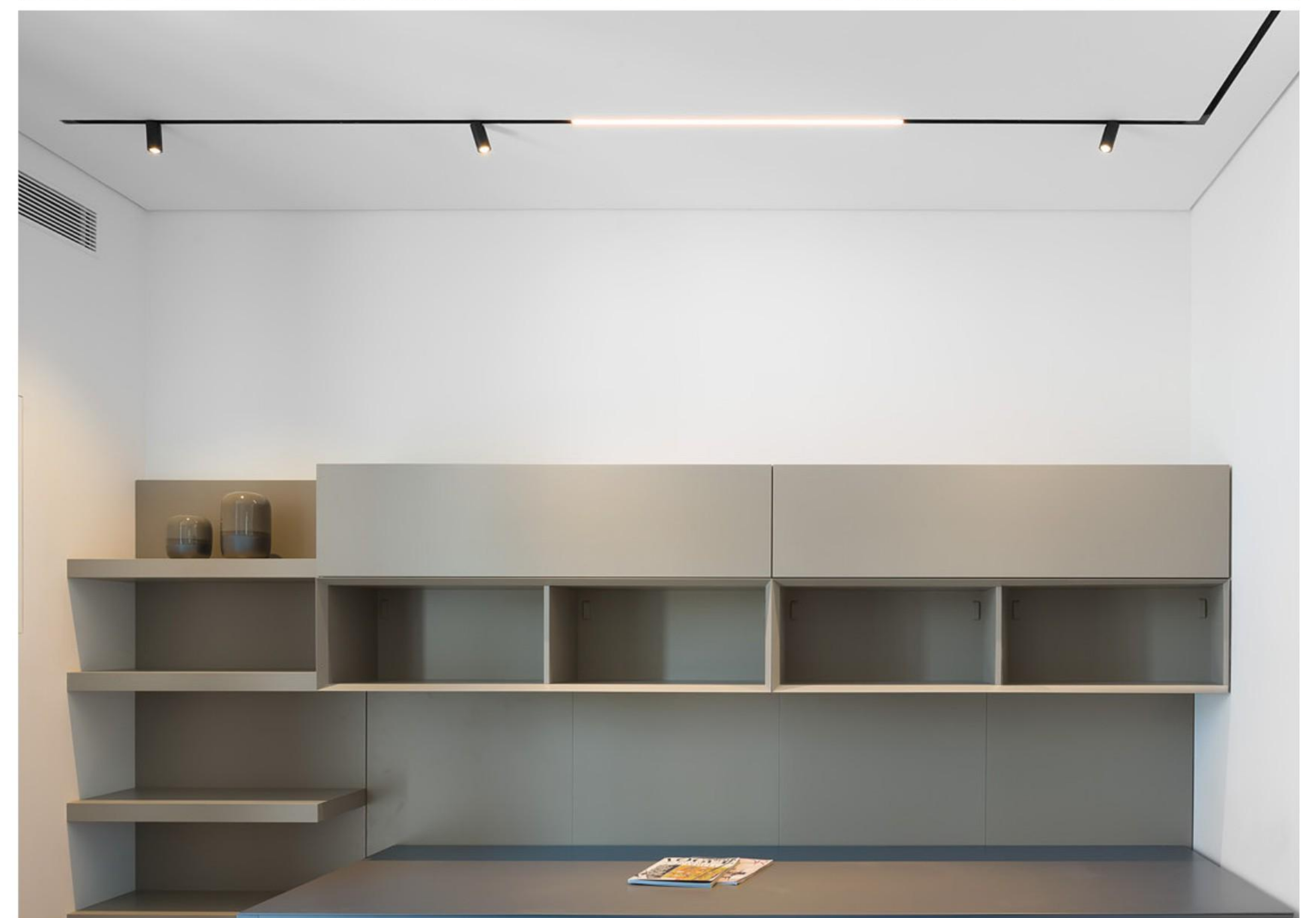
PHOTO	CODE	POWER	COLOR TEMP	BEAN ANGLE	CCT	DRIVER TYPE
	547519	16.4W	Sandy Black-Plain Gold Sandy White-Plain Gold Champagne Gold	L	2700K/3000K/4000K	TD
	539519	9W	Sandy Black Sandy White Champagne Gold	L	3000K/3500K	TD
	530619	9.3W	Sandy Black-Plain Gold Sandy White-Glossy Silver	L	3000K/3500K	TD
	540111	6.2W	Sandy Black Sandy White Champagne Gold	20°	3000K/3500K	TD
	528211	6.7W	Sandy Black Sandy White Champagne Gold	20°	3000K/3500K	TD
	541017	4.2W	Sandy Black Sandy White Champagne Gold	12°	3000K/3500K	TD
	541117	4.2W	Sandy Black Sandy White Champagne Gold	12°	3000K/3500K	TD
	540317	4.2W	Sandy Black Sandy White Champagne Gold	12°	3000K/3500K	TD

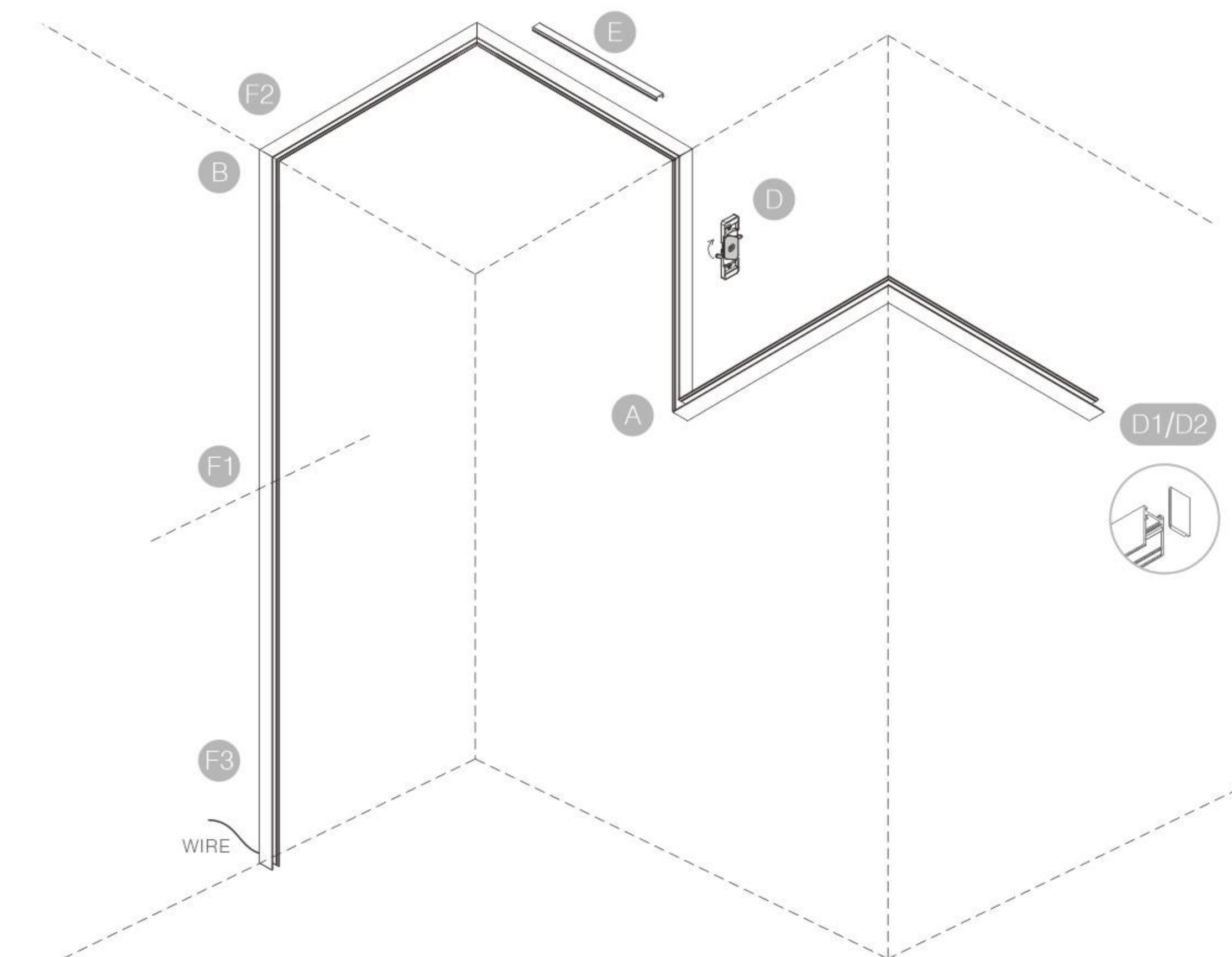
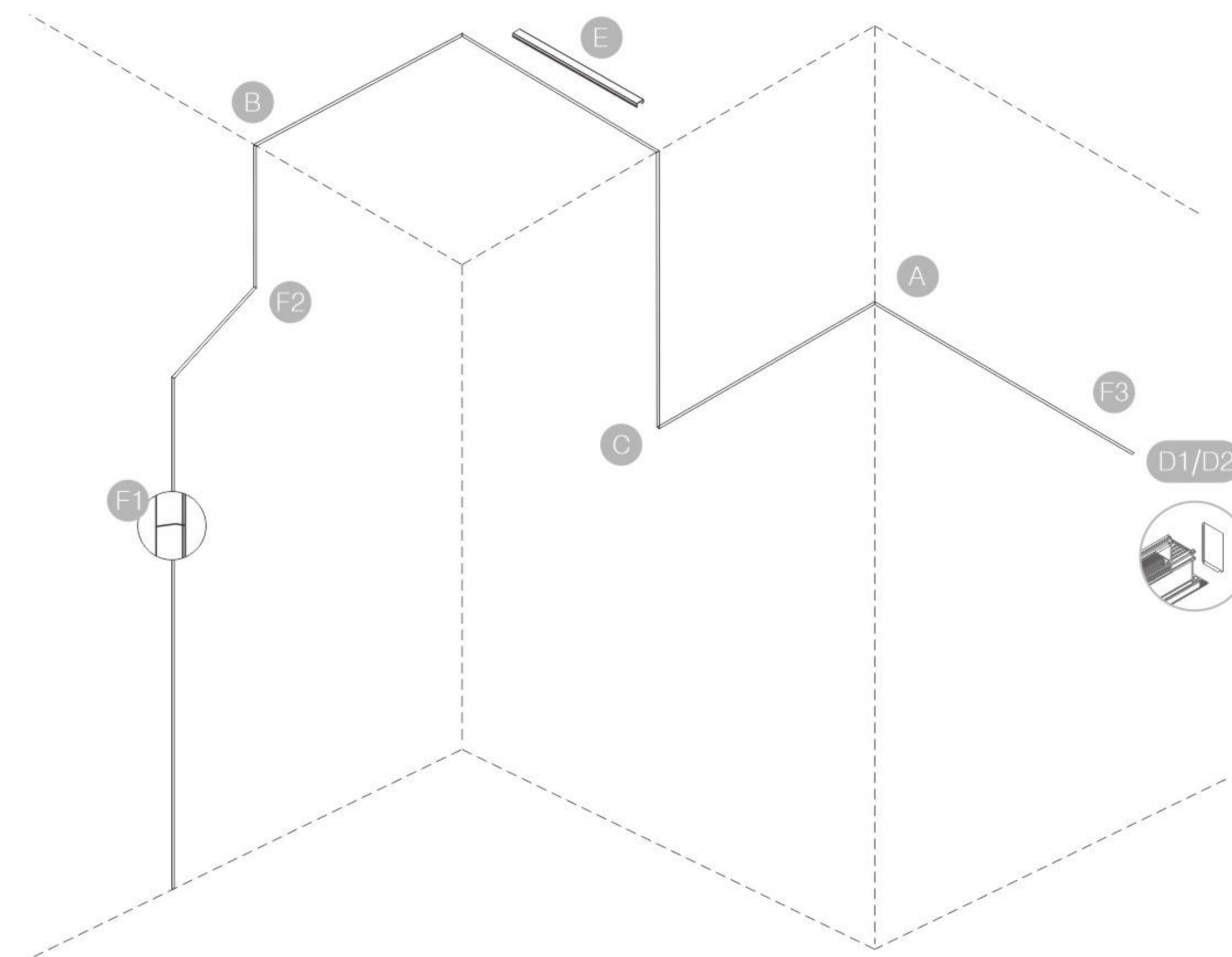
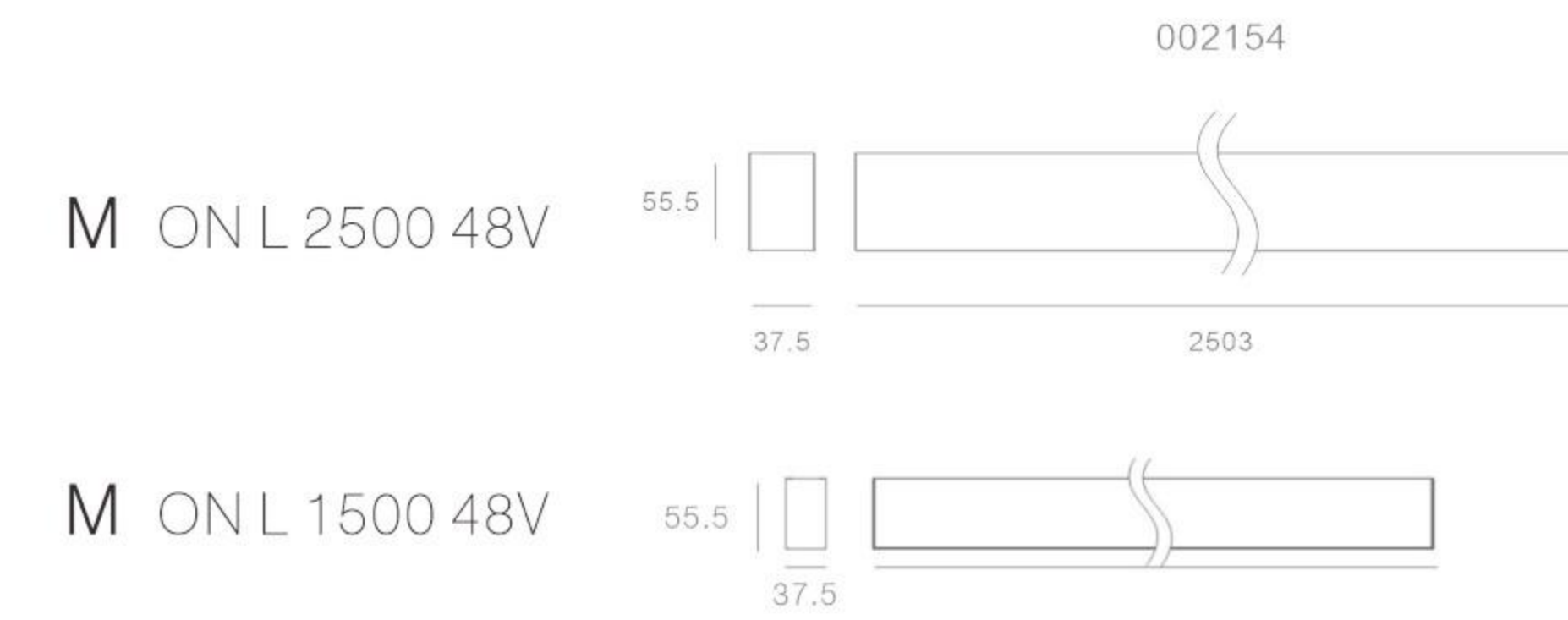
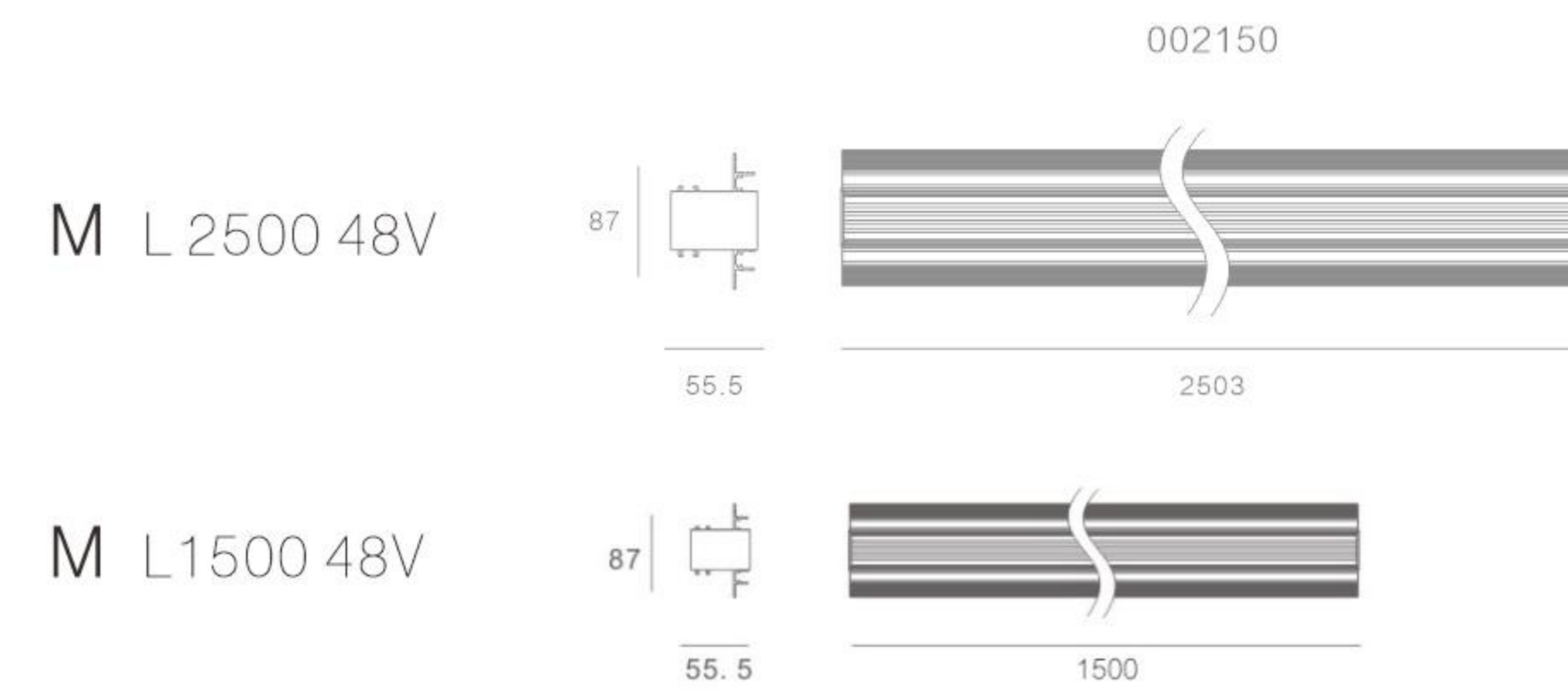










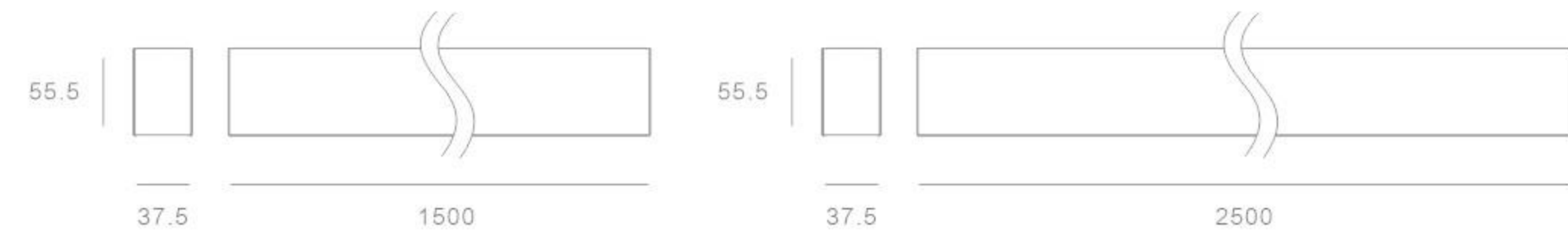


-   
**A**  
 M DC-48-L1  
 002151
-   
**B**  
 M DC-48-L2  
 002153
-   
**C**  
 M DC-48-L3  
 002152
-   
**D1**  
 M SIDE 1  
 002243
-   
**D2**  
 M SIDE 2  
 002242
-   
**F2**  
 M CORNER 48V  
 002157
-   
**E**  
 M PC 2500  
 002160
-   
**F1**  
 M CONNECT 48V  
 002158
-   
**F3**  
 M CONNECT-C 0.5M 48V  
 002159

-   
**A**  
 M ON DC-48-L1  
 002155
-   
**B**  
 M ON DC-48-L2  
 002586
-   
**C**  
 M ON FIX  
 002156
-   
**D1**  
 M SIDE 1  
 002243
-   
**D2**  
 M SIDE 2  
 002242
-   
**F2**  
 M CORNER 48V  
 002157
-   
**E**  
 M PC 2500  
 002160
-   
**F1**  
 M CONNECT 48V  
 002158
-   
**F3**  
 M CONNECT-C 0.5M 48V  
 002159



MP



A1  
S/M P ON  
002163



A2  
S/M P IN  
002164



B  
M CONNECT-C 2M 48V  
002161



C1  
M CONNECT 48V  
002158



C2  
M CORNER 48V  
002157



D  
S/M P FIX 1  
002162



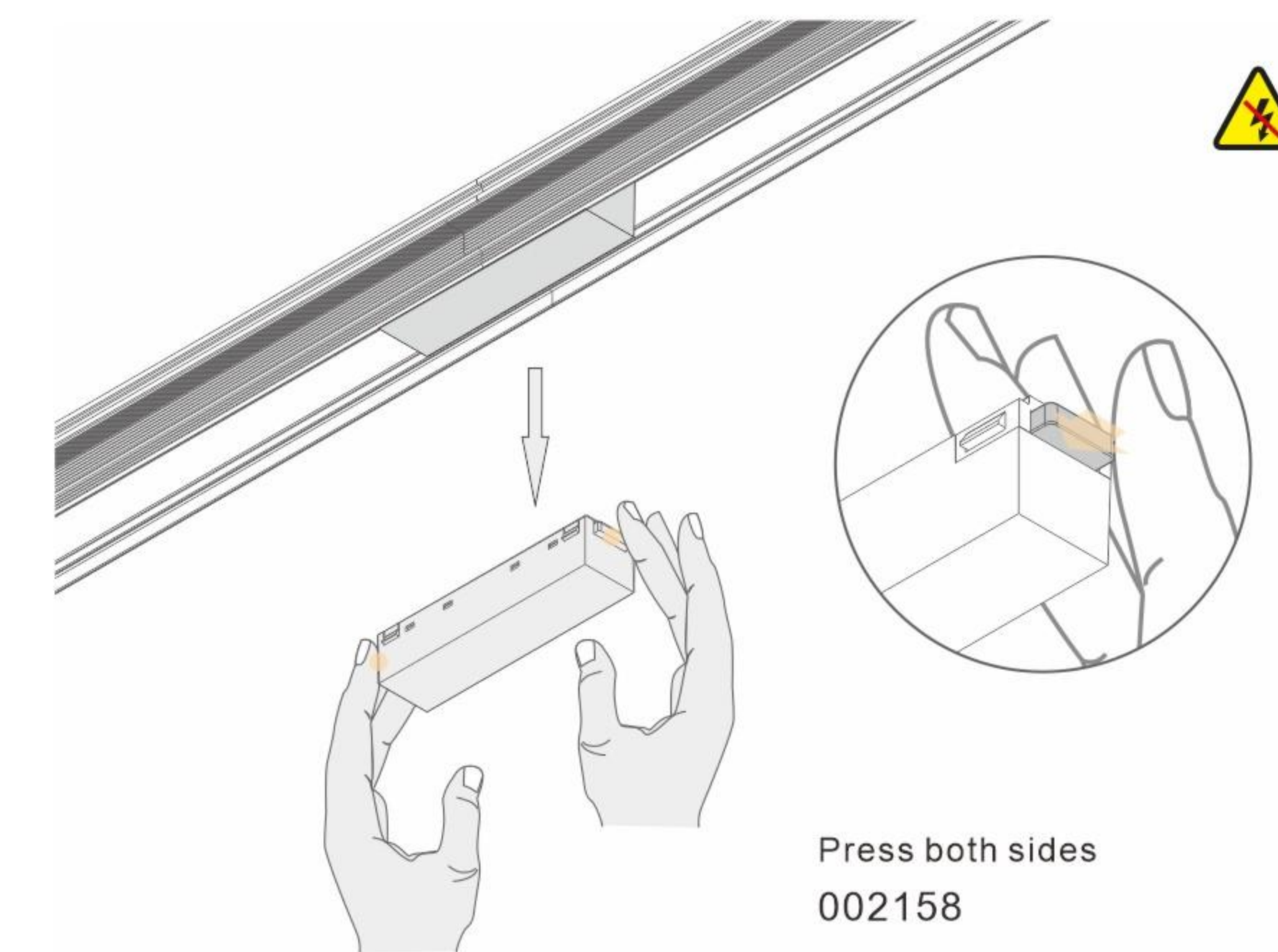
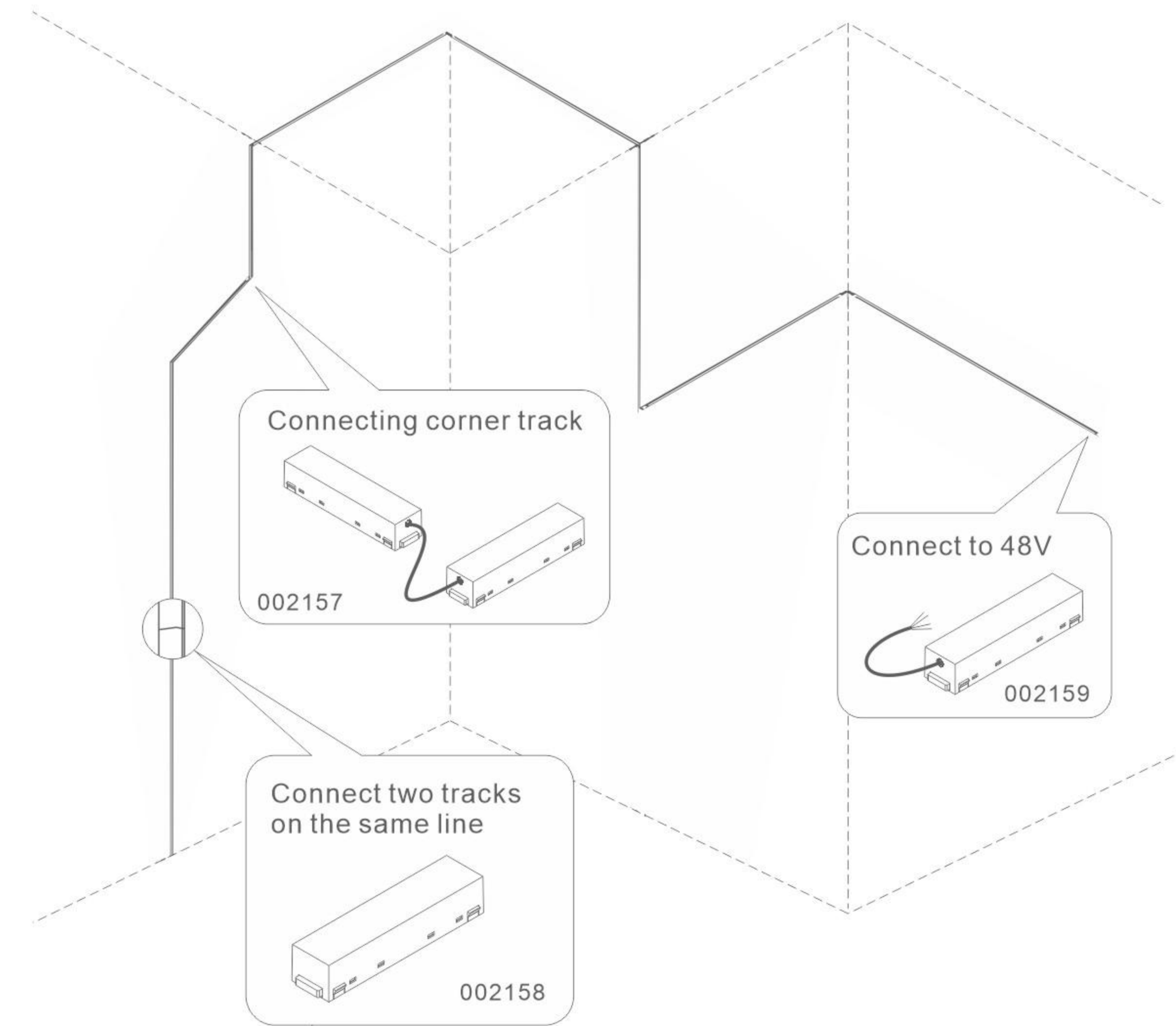
E  
M P FIX 2  
002216



F  
M PC 2500  
002160



G  
M SIDE 1  
002243



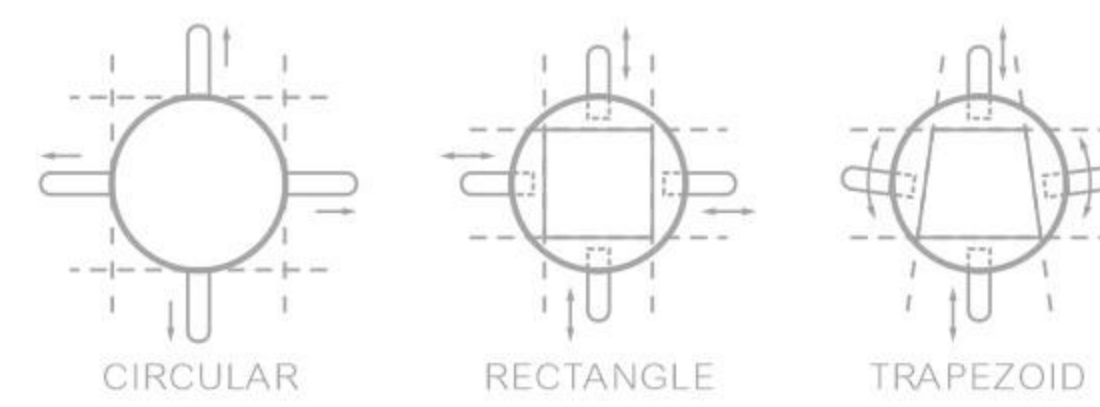


ABACO KM



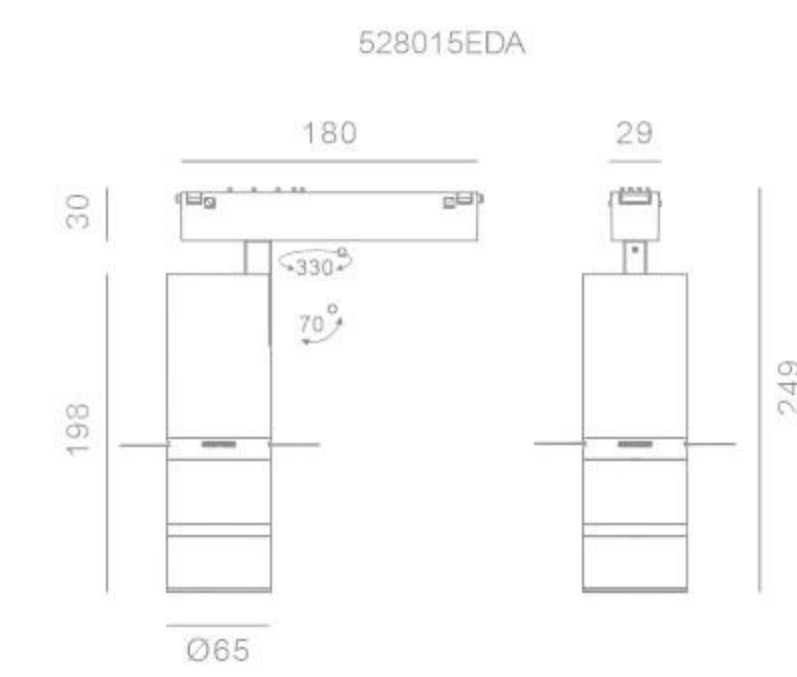
**GOBO INSTRUCTIONS:**

By swinging or telescopic GOBO, you can change the shape of the light into a circle, rectangle or trapezoid.

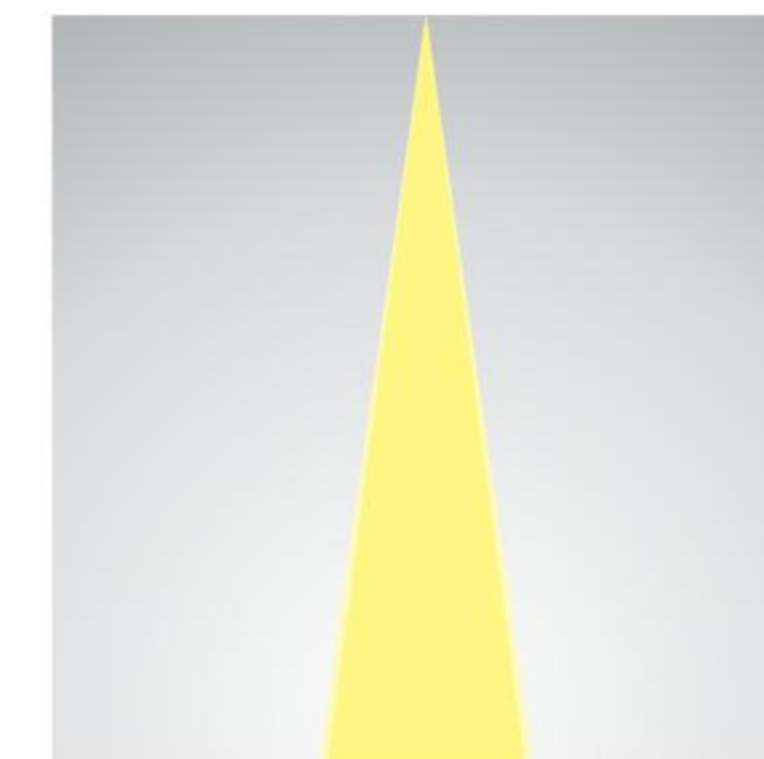


ABACO KM

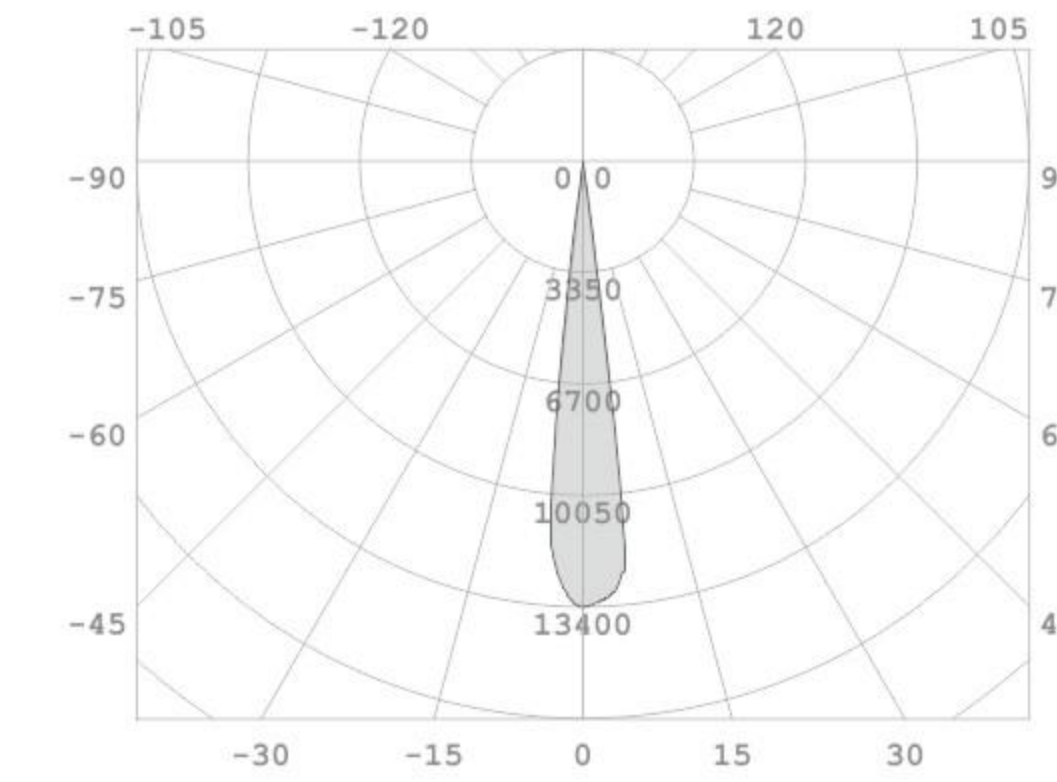
LED POWER: 14.4W  
 LED LUMEN: /  
 LUMINAIRE LUMEN: 863LM/3000K  
 INPUT: 48V DC  
 CRI: 90  
 DIMENSION: Ø65\*198mm  
 HOLE SIZE: /



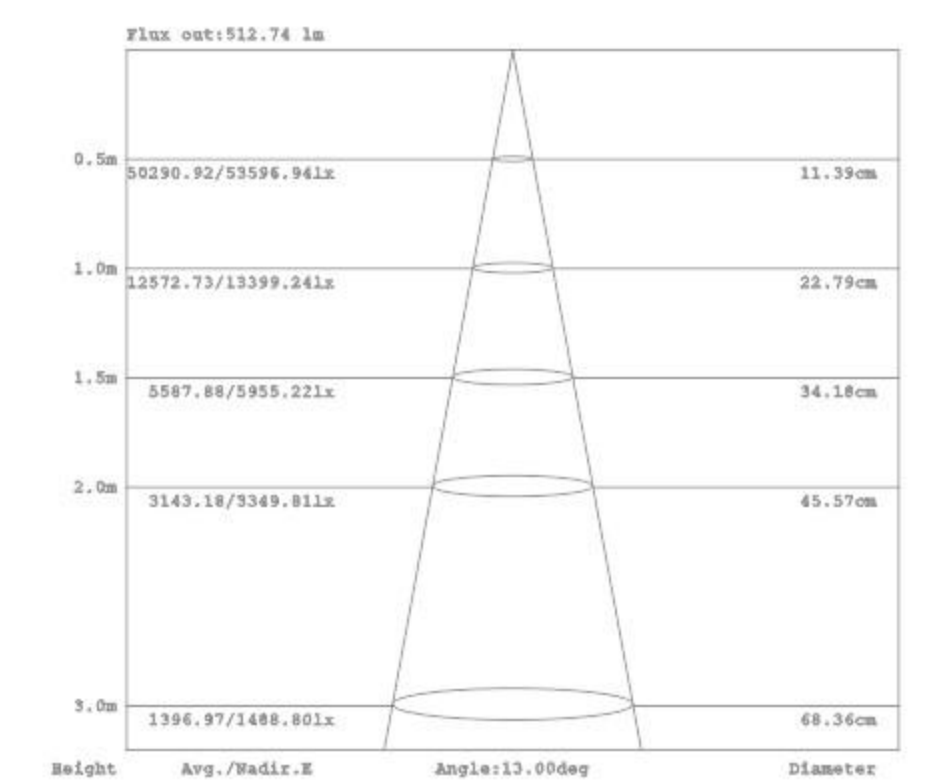
ANGLE 15°



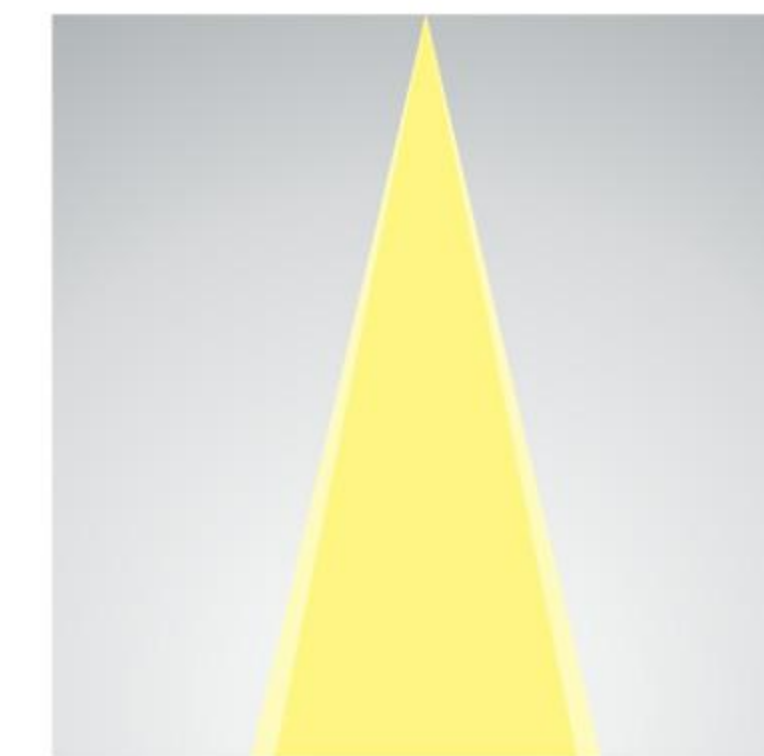
14.4W 15° 3000K



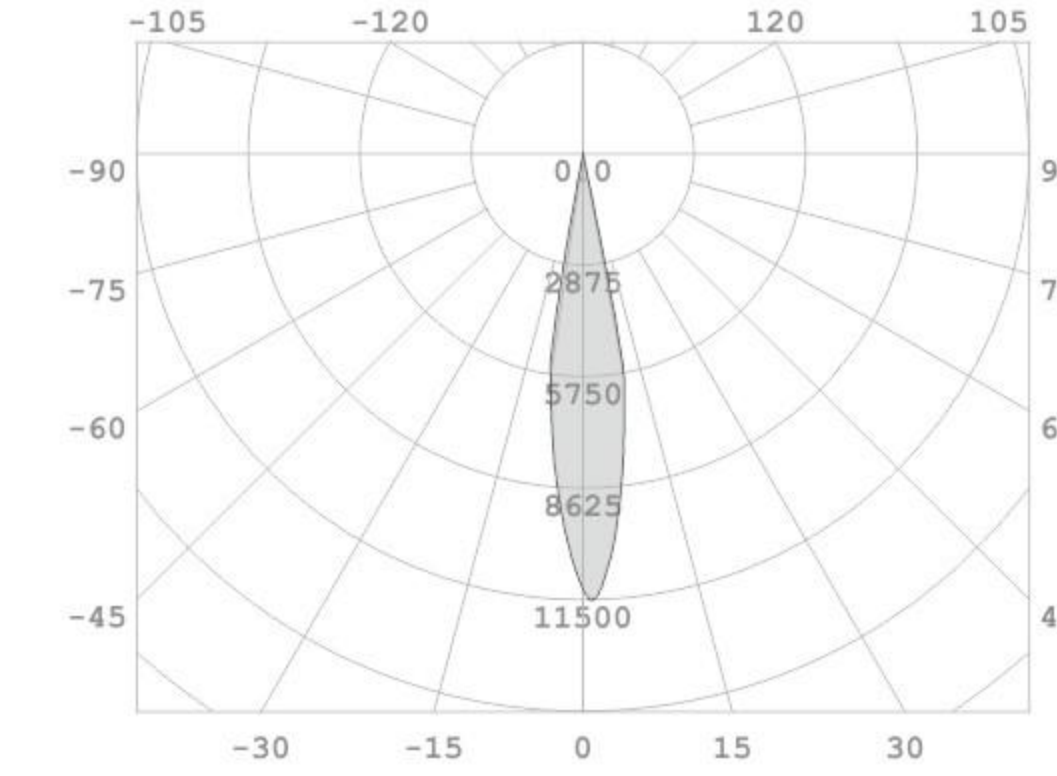
14.4W 15° 3000K



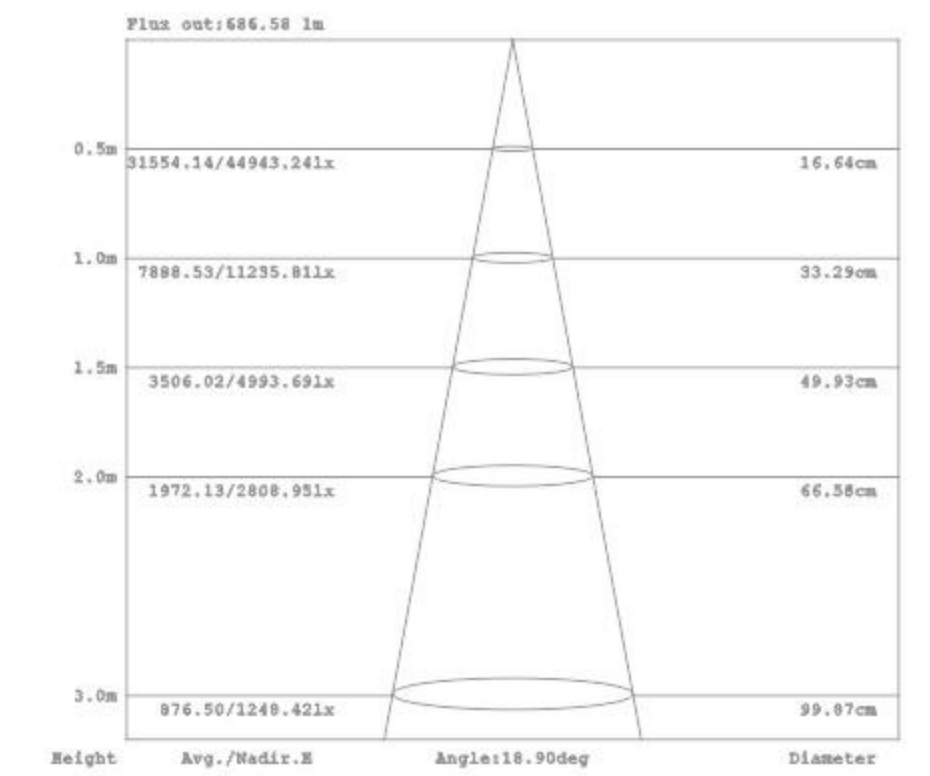
ANGLE 23°



14.4W 23° 3000K



14.4W 23° 3000K

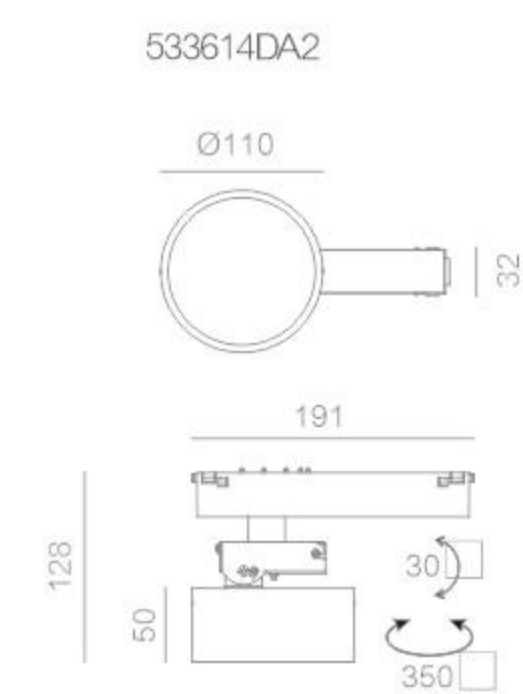




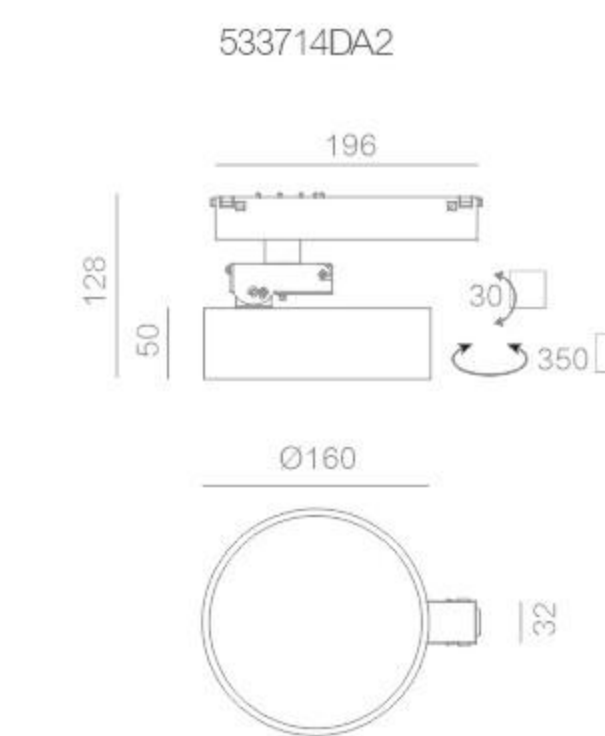
DOMO KM 11

DOMO KM 16

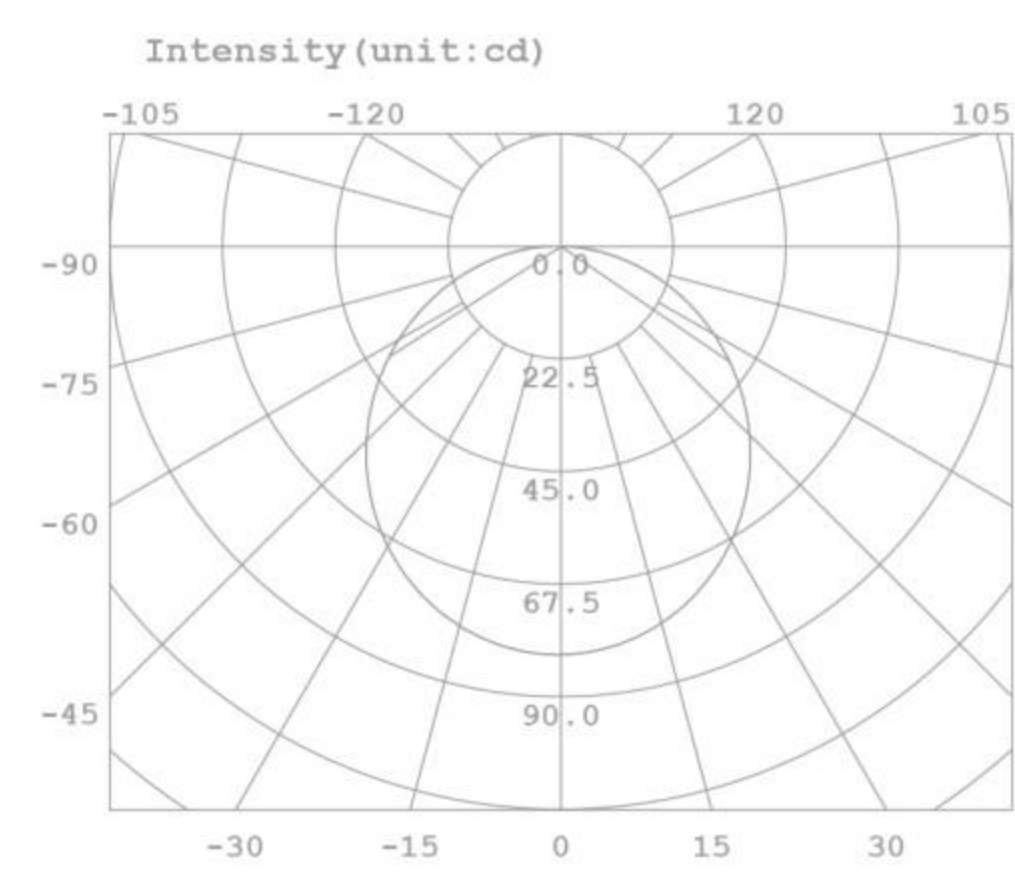
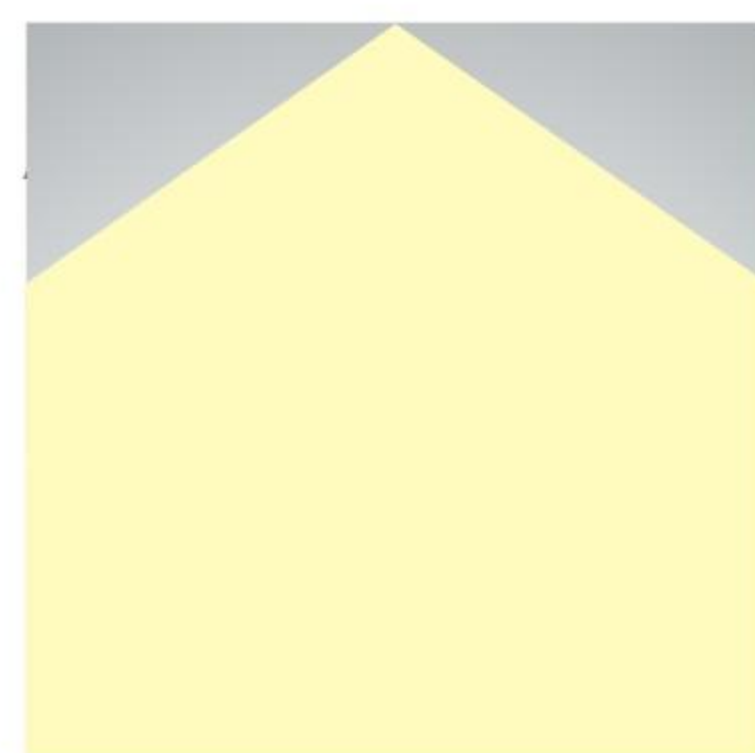
DOMO KM 11   
 LED POWER: 5.2W  
 LED LUMEN: 660LM/3000K  
 LUMINAIRE LUMEN: 398LM/3000K  
 INPUT: 48V DC  
 CRI: 80  
 DIMENSION: Ø110\*50\*128mm  
 HOLE SIZE: /



DOMO KM 16   
 LED POWER: 10.4W  
 LED LUMEN: 1400LM/3000K  
 LUMINAIRE LUMEN: 635LM/3000K  
 INPUT: 48V DC  
 CRI: 80  
 DIMENSION: Ø160\*50\*128mm  
 HOLE SIZE: /

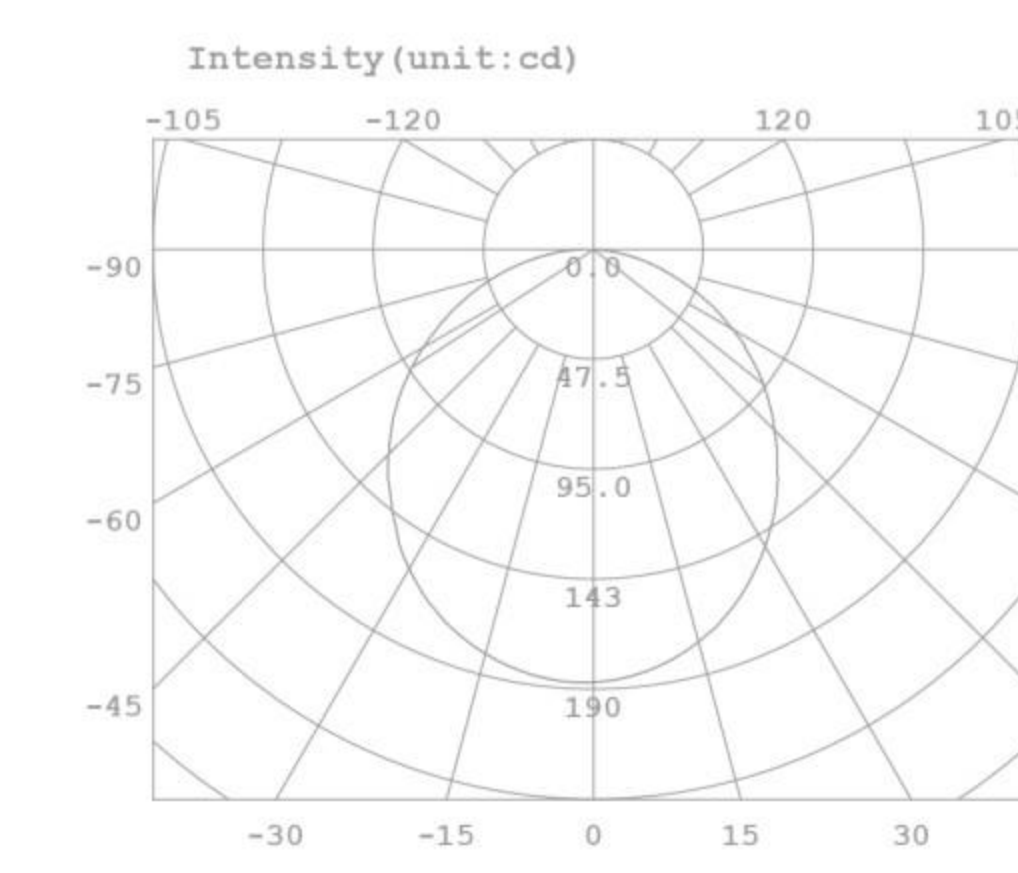
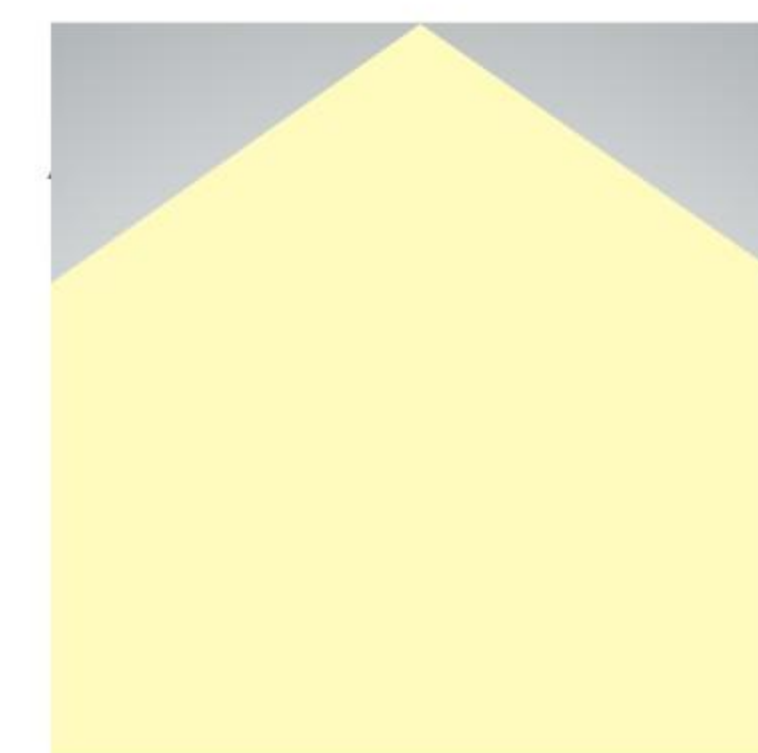


ANGLE L



Height	Angle (Rad):R	Angle(110.00deg)	Diameter
0.5m	80.24/226.221x		100.00mm
1.0m	23.92/73.1931x		200.00mm
1.5m	15.45/50.4231x		300.00mm
2.0m	9.93/35.301x		400.00mm
2.5m	7.54/27.001x		500.00mm

ANGLE L



Height	Angle (Rad):R	Angle(120.00deg)	Diameter
0.5m	239.79/747.021x		100.00mm
1.0m	59.95/184.001x		200.00mm
1.5m	39.97/120.001x		300.00mm
2.0m	29.98/90.001x		400.00mm
2.5m	23.99/75.001x		500.00mm

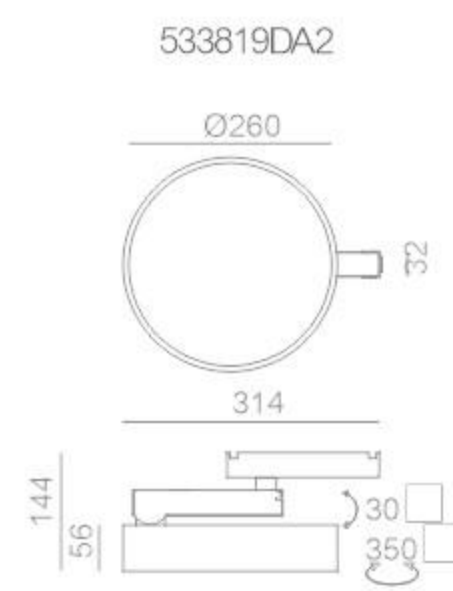


DOMO KM 26

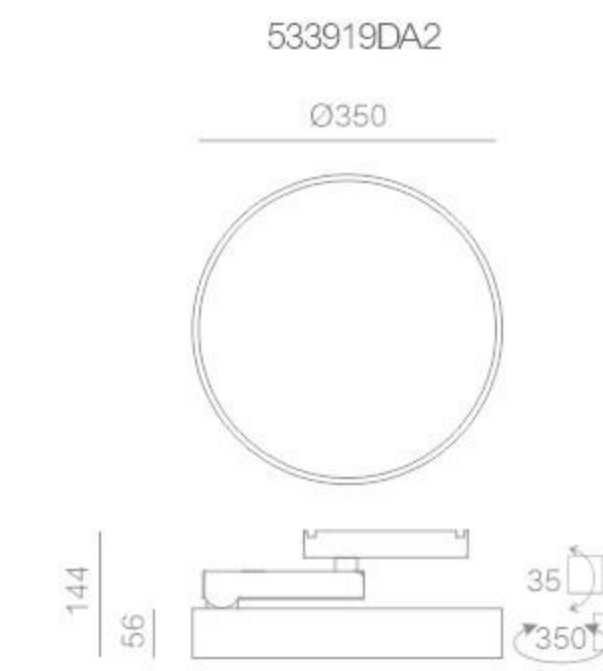


DOMO KM 35

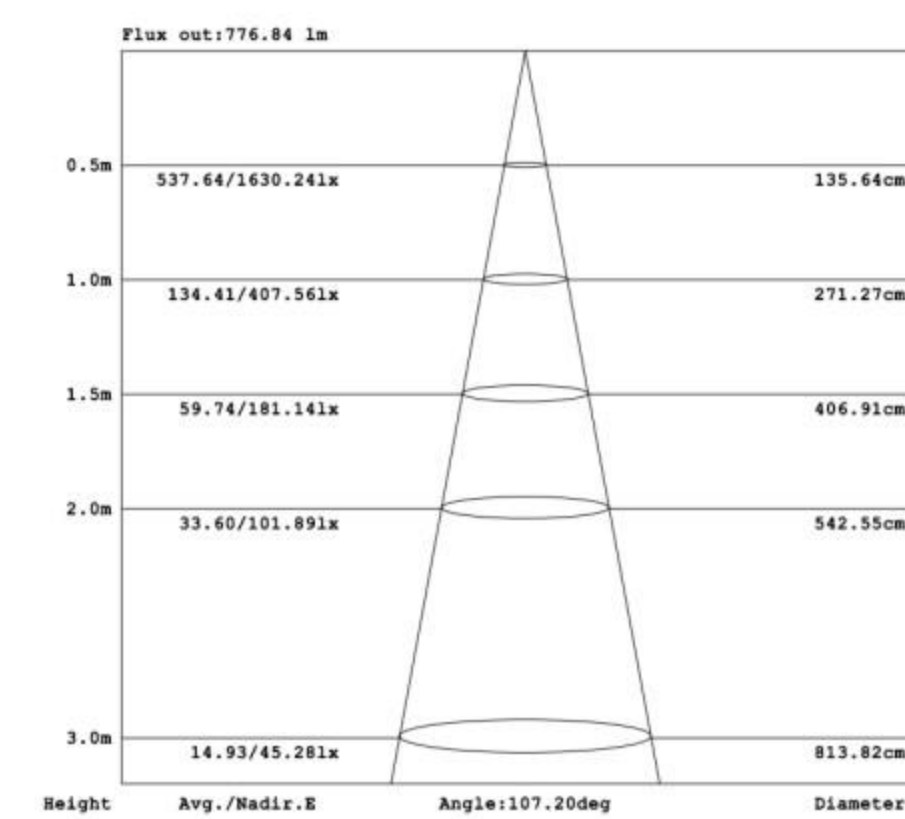
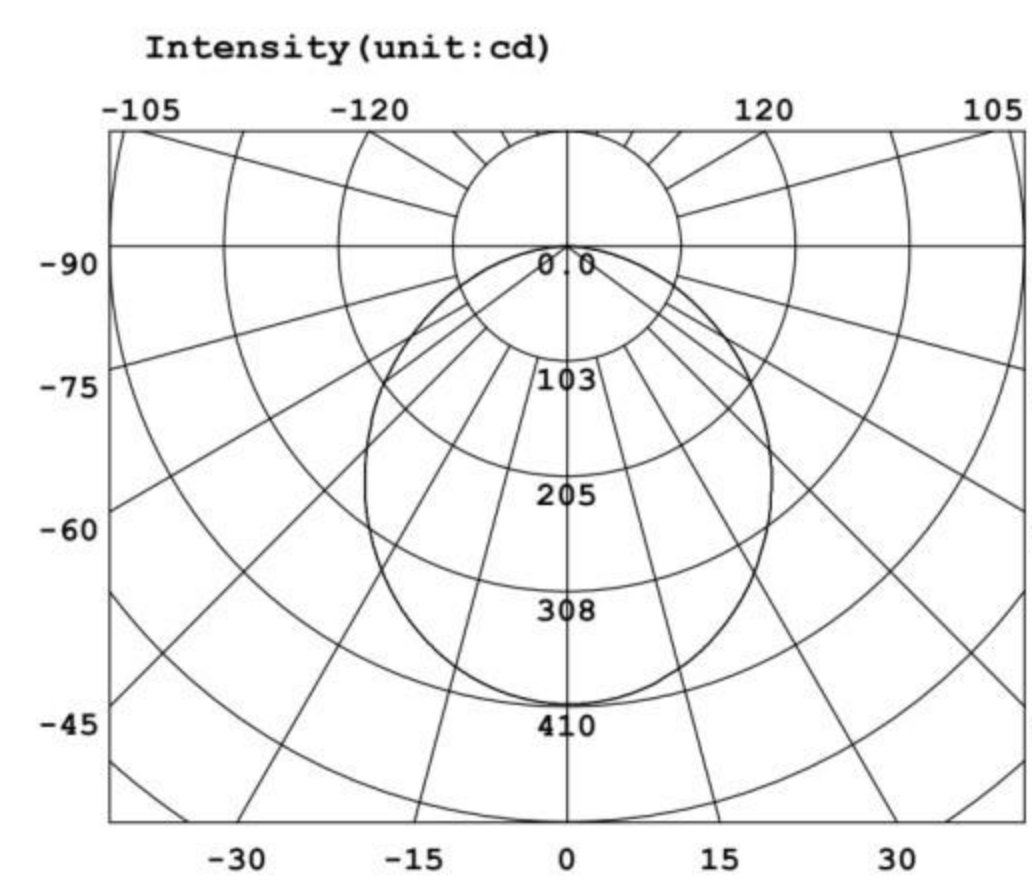
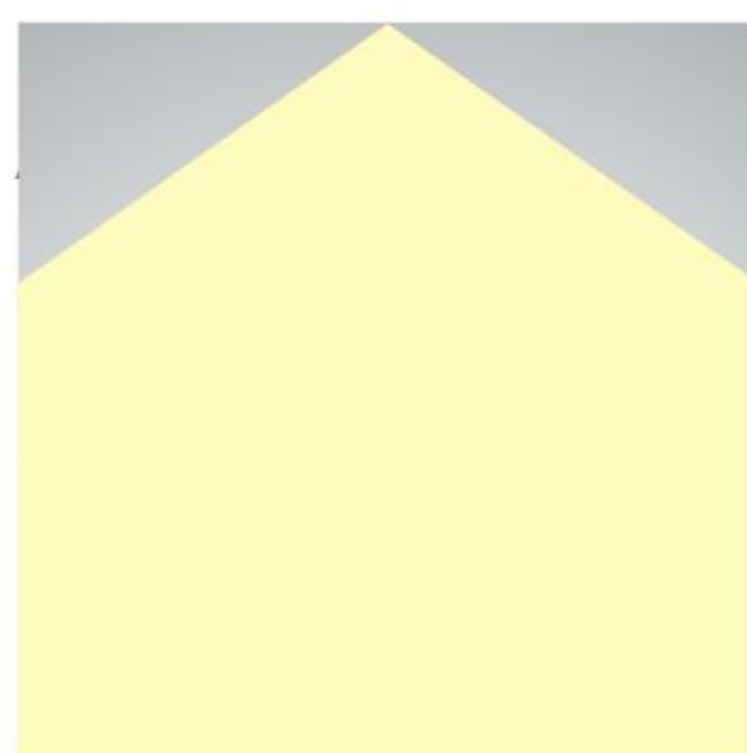
DOMO KM 26   
 LED POWER: 15.5W  
 LED LUMEN: 2450LM/3000K  
 LUMINAIRE LUMEN: 1150LM/3000K  
 INPUT: 48V DC  
 CRI: 80  
 DIMENSION: Ø260\*56\*144mm  
 HOLE SIZE: /



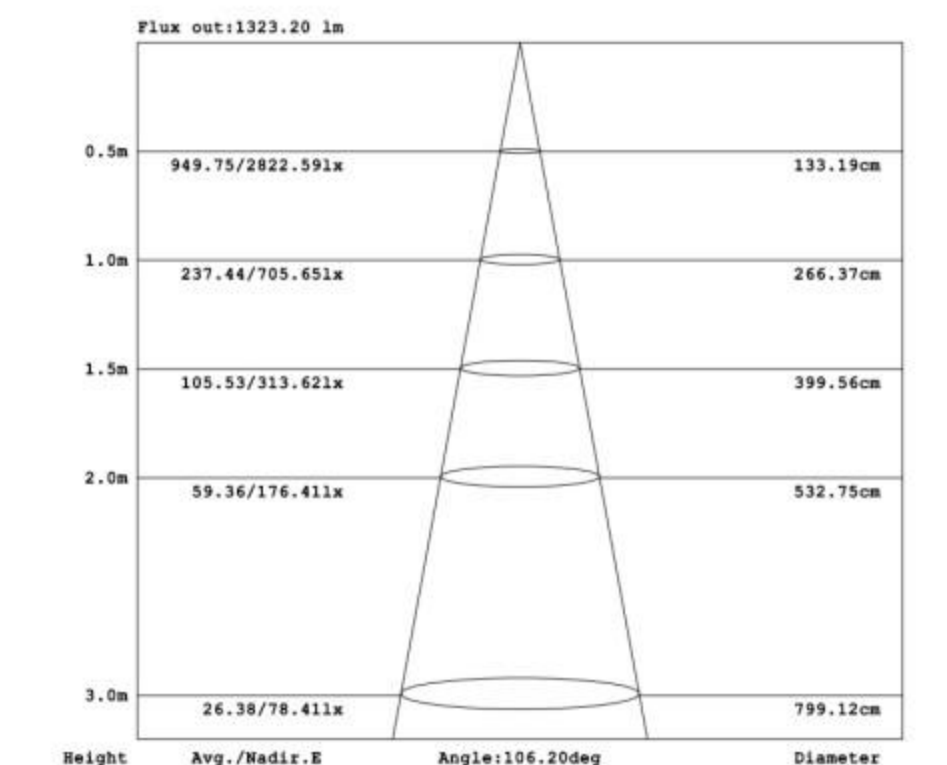
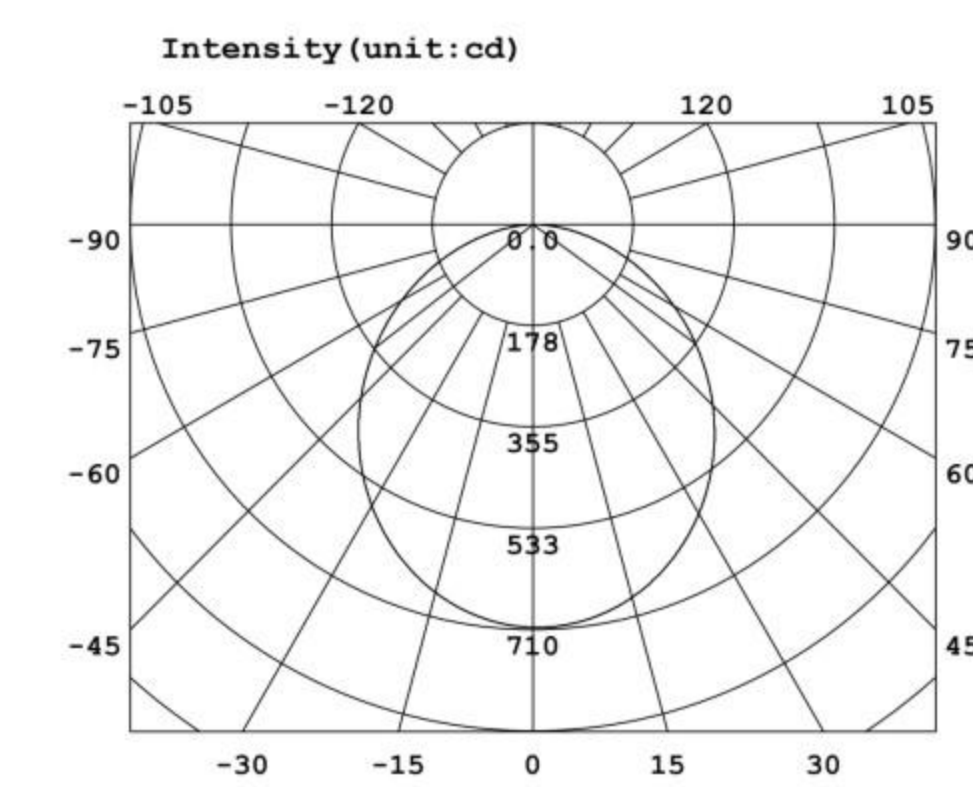
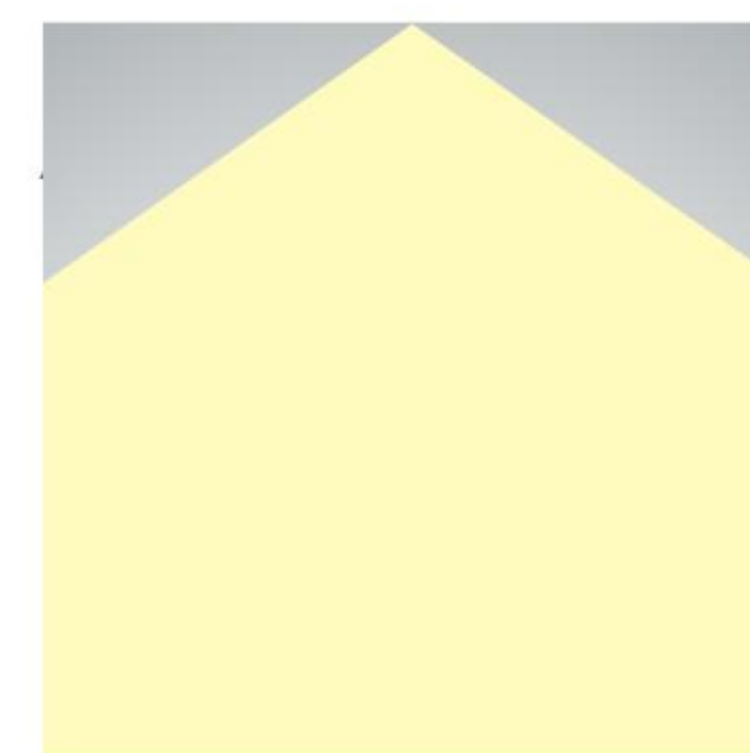
DOMO KM 35   
 LED POWER: 20.2W  
 LED LUMEN: 3100LM/3000K  
 LUMINAIRE LUMEN: 1750LM/3000K  
 INPUT: 48V DC  
 CRI: 80  
 DIMENSION: Ø350\*56\*144mm  
 HOLE SIZE: /



ANGLE L



ANGLE L

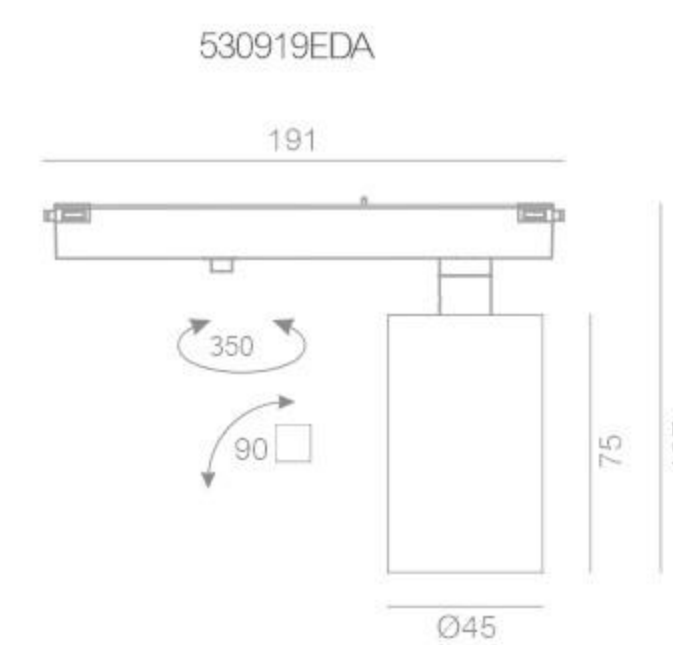




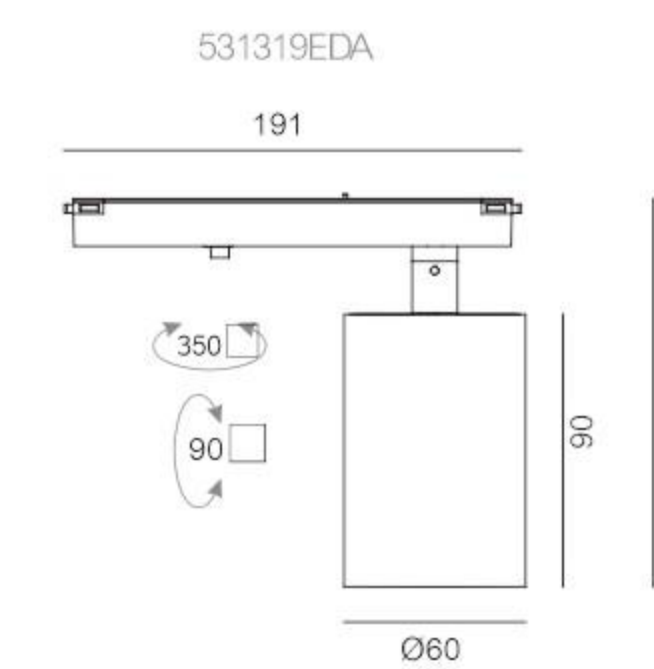
FAVOR KM S

FAVOR KM M

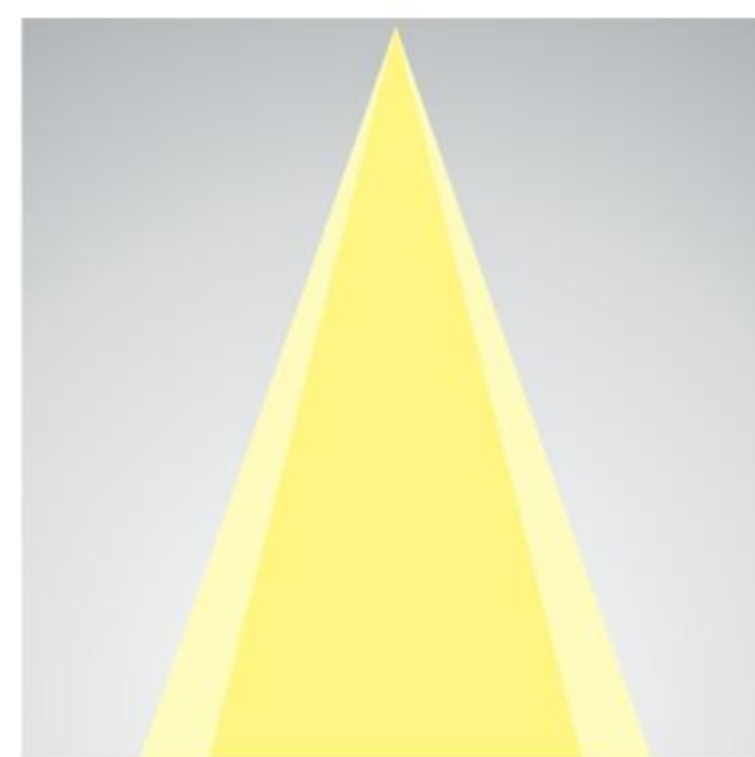
FAVOR KM S   
 LED POWER: 9.5W  
 LED LUMEN: 957LM/3000K  
 LUMINAIRE LUMEN: 388LM/3000K  
 INPUT: 48V DC  
 CRI: 90  
 DIMENSION: Ø45\*75\*191mm  
 HOLE SIZE: /



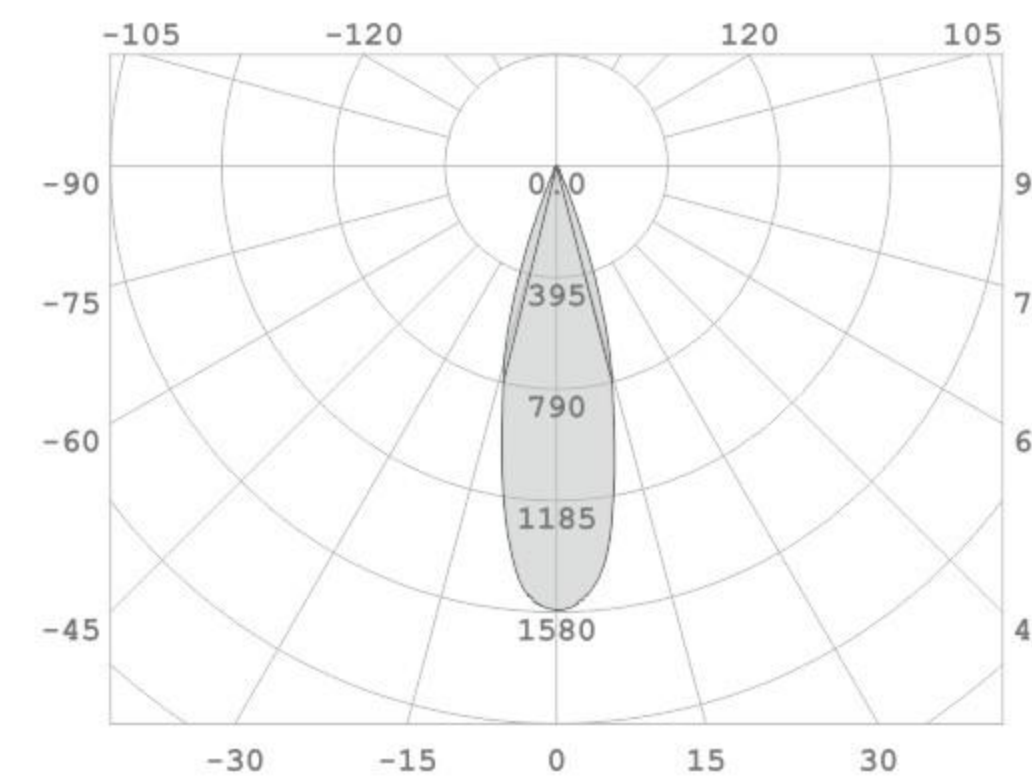
FAVOR KM M   
 LED POWER: 13.9W  
 LED LUMEN: 1465LM/3000K  
 LUMINAIRE LUMEN: 537LM/3000K  
 INPUT: 48V DC  
 CRI: 90  
 DIMENSION: Ø60\*90\*191mm  
 HOLE SIZE: /



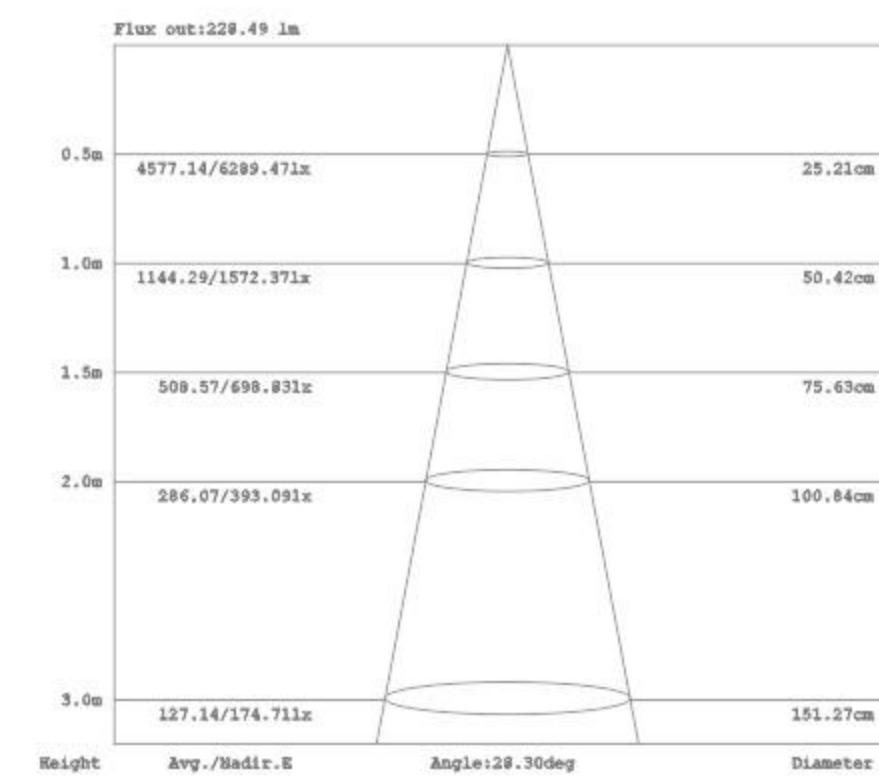
ANGLE 28°



9.5W 28° 3000K



9.5W 28° 3000K



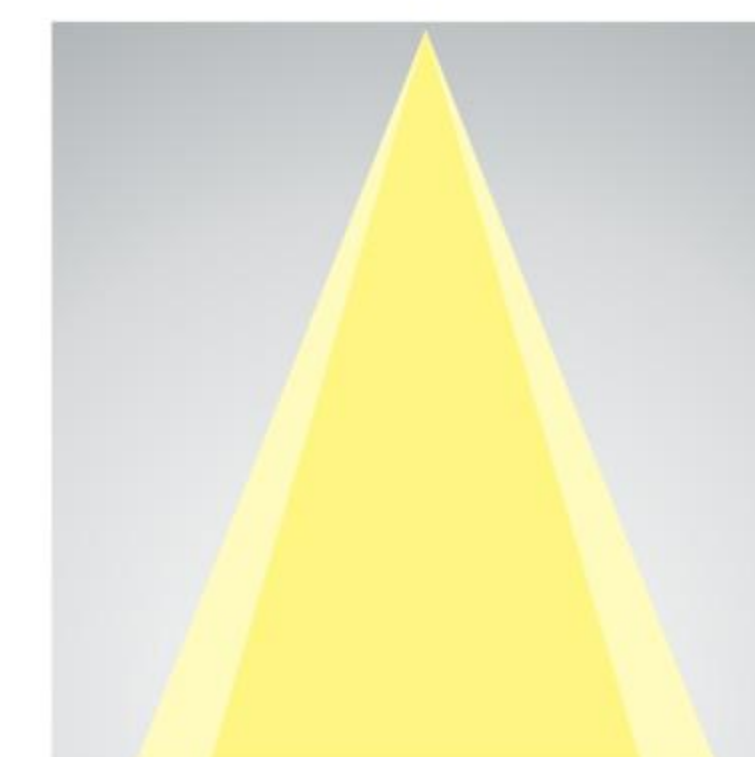
OTHER VERSIONS:



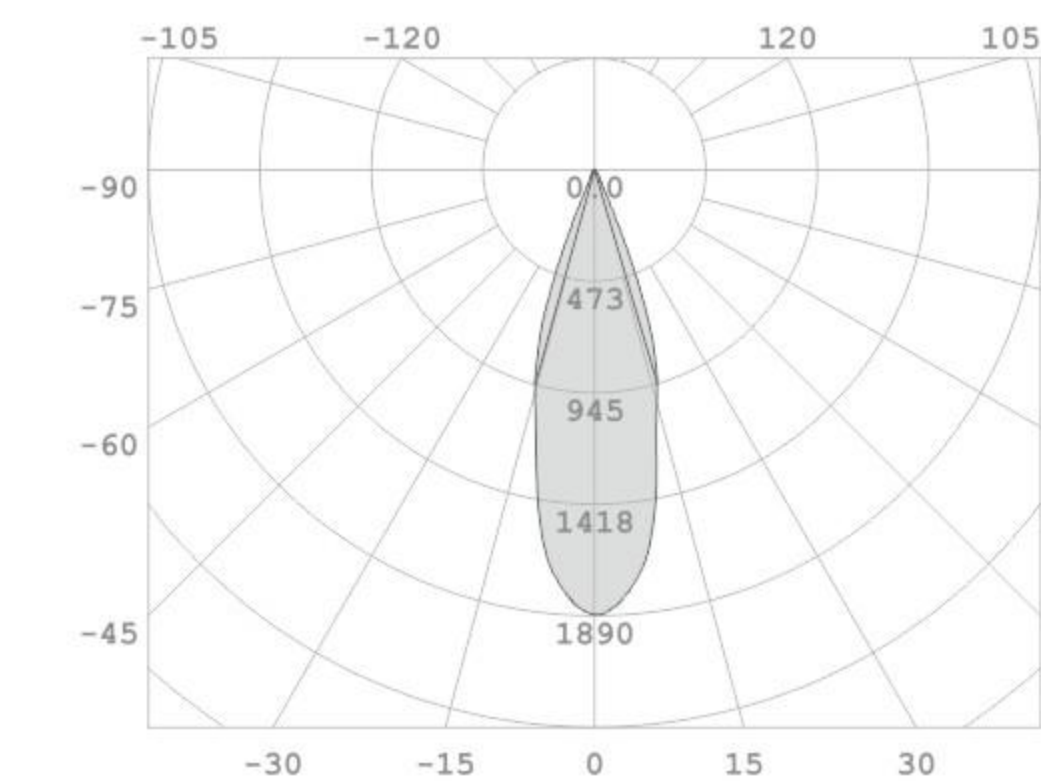
19°

For more information, please visit our website or contact our sales representative

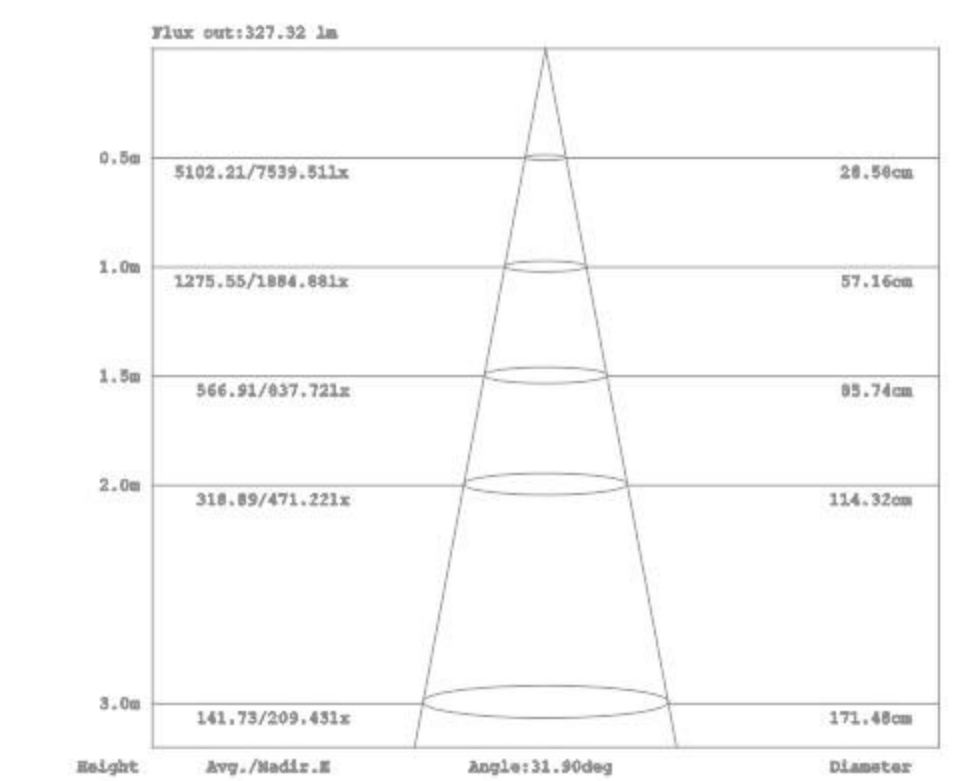
ANGLE 32°



13.9W 32° 3000K



13.9W 32° 3000K



OTHER VERSIONS:



18°

For more information, please visit our website or contact our sales representative

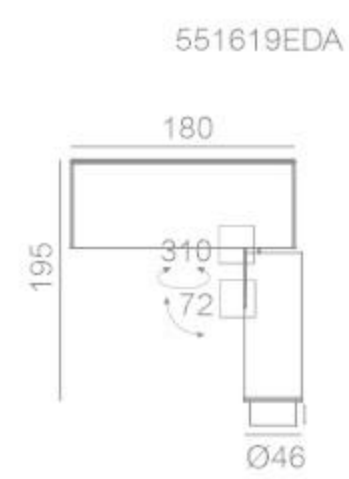


GEN KM SS

GEN KM S

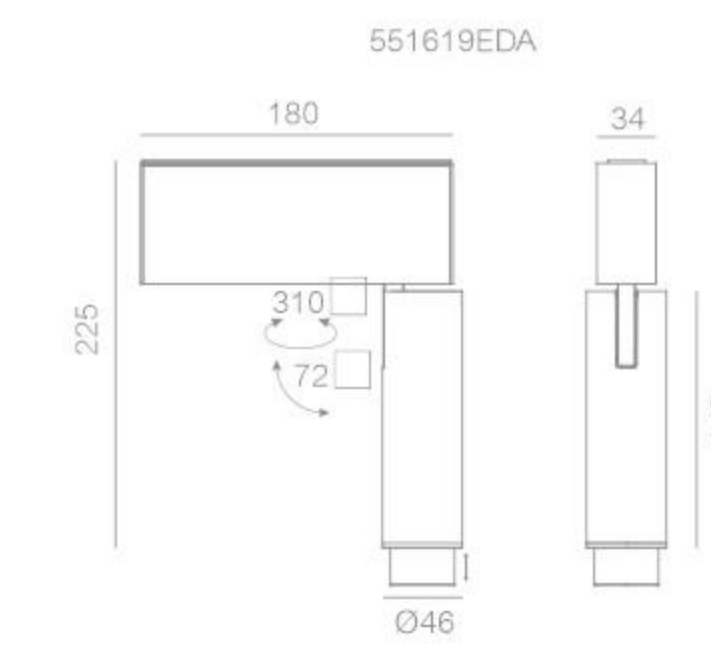
GEN KM SS

LED POWER: 7W  
 LED OUTPUT: 817Lm  
 SYSTEM POWER: 8.3W  
 SYSTEM OUTPUT: 181Lm/3000K  
 INPUT: 48VDC  
 CRI: 90  
 DIMENSION: Ø46\*141mm  
 HOLE SIZE: /

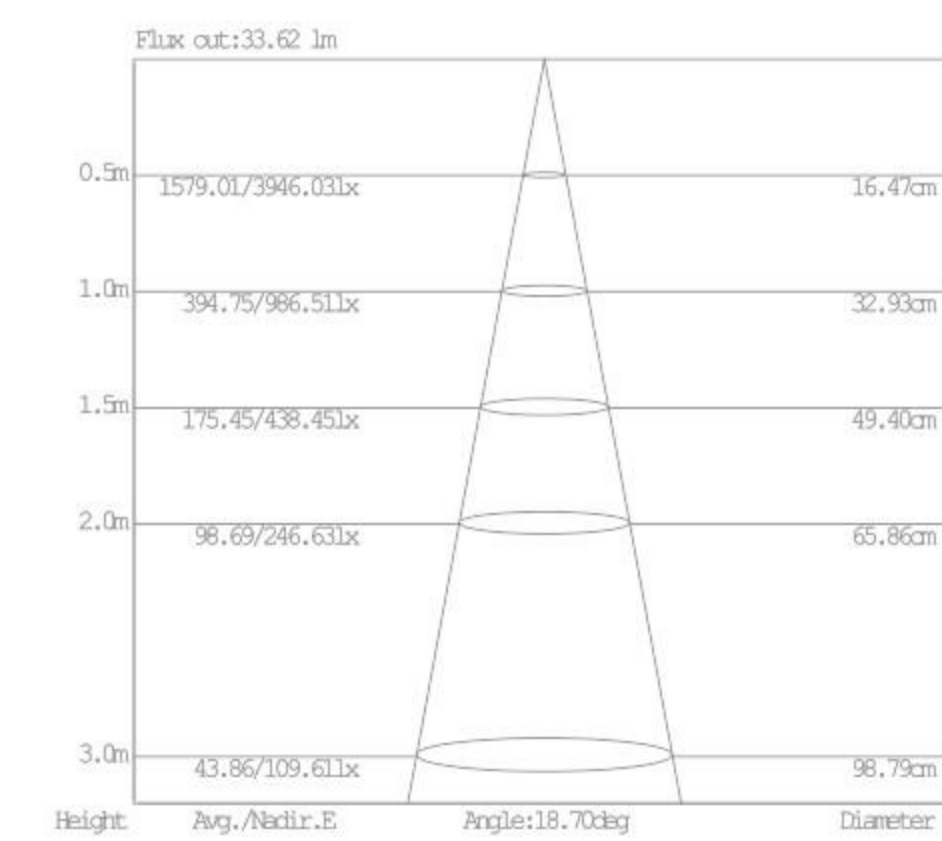
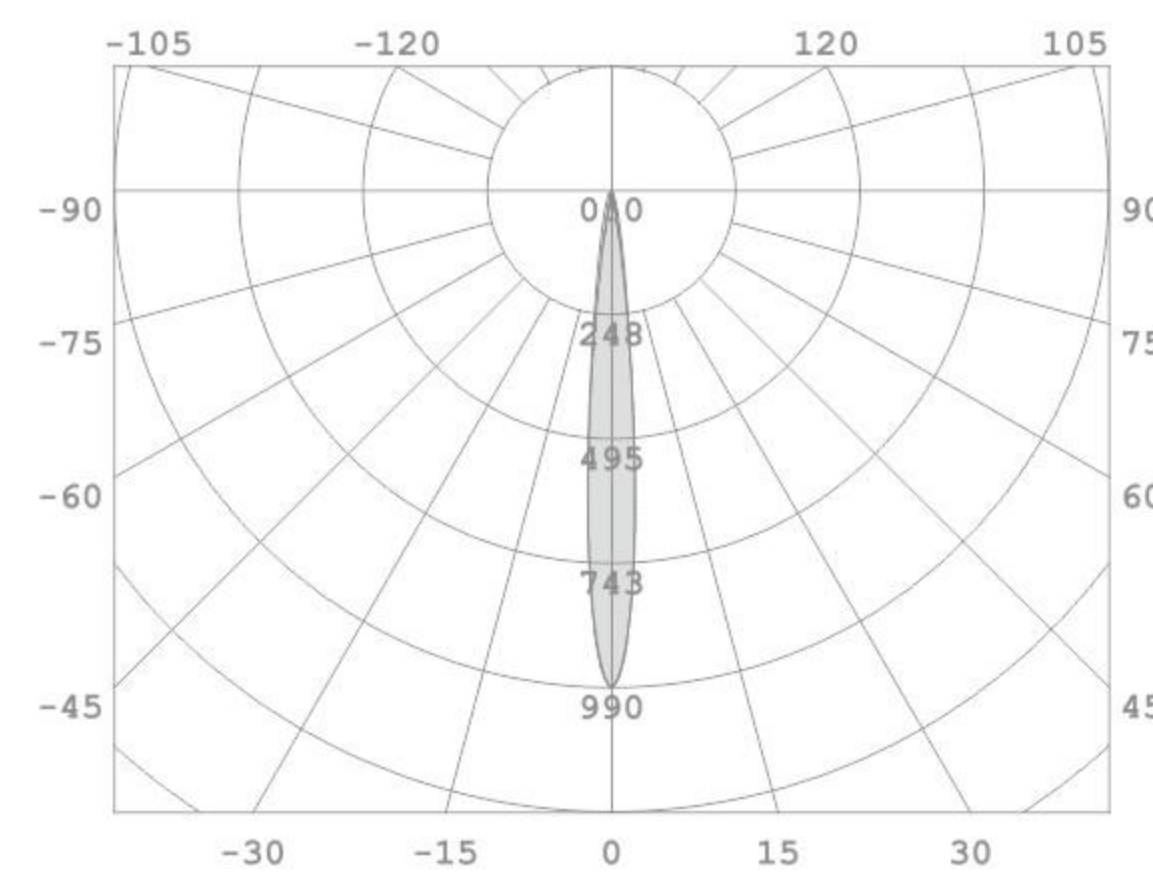
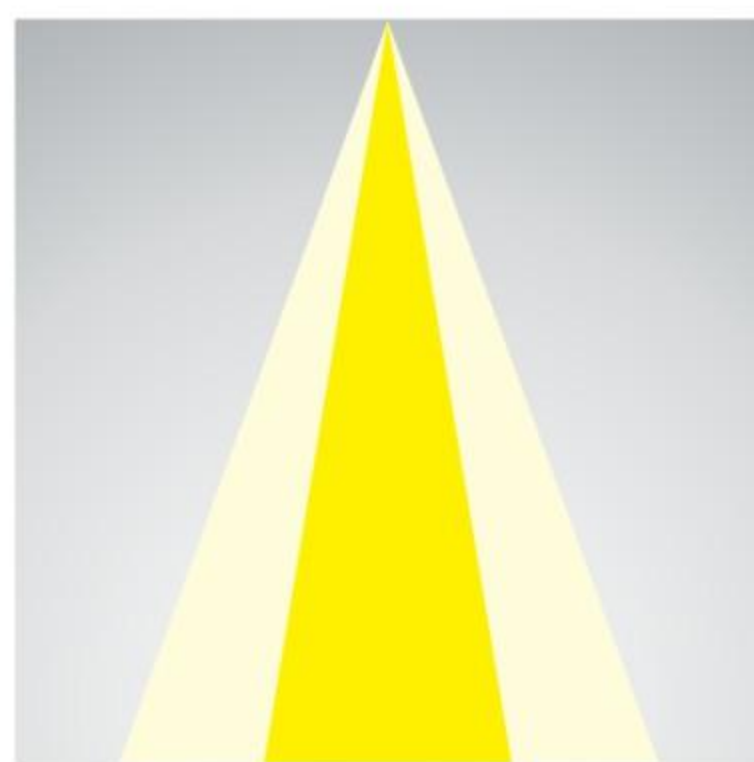


GEN KM S

LED POWER: 10.7W  
 LED OUTPUT: 1173Lm  
 SYSTEM POWER: 11.6W  
 SYSTEM OUTPUT: 275Lm/3000K  
 INPUT: 48VDC  
 CRI: 90  
 DIMENSION: Ø46\*170mm  
 HOLE SIZE: /



ANGLE 19°

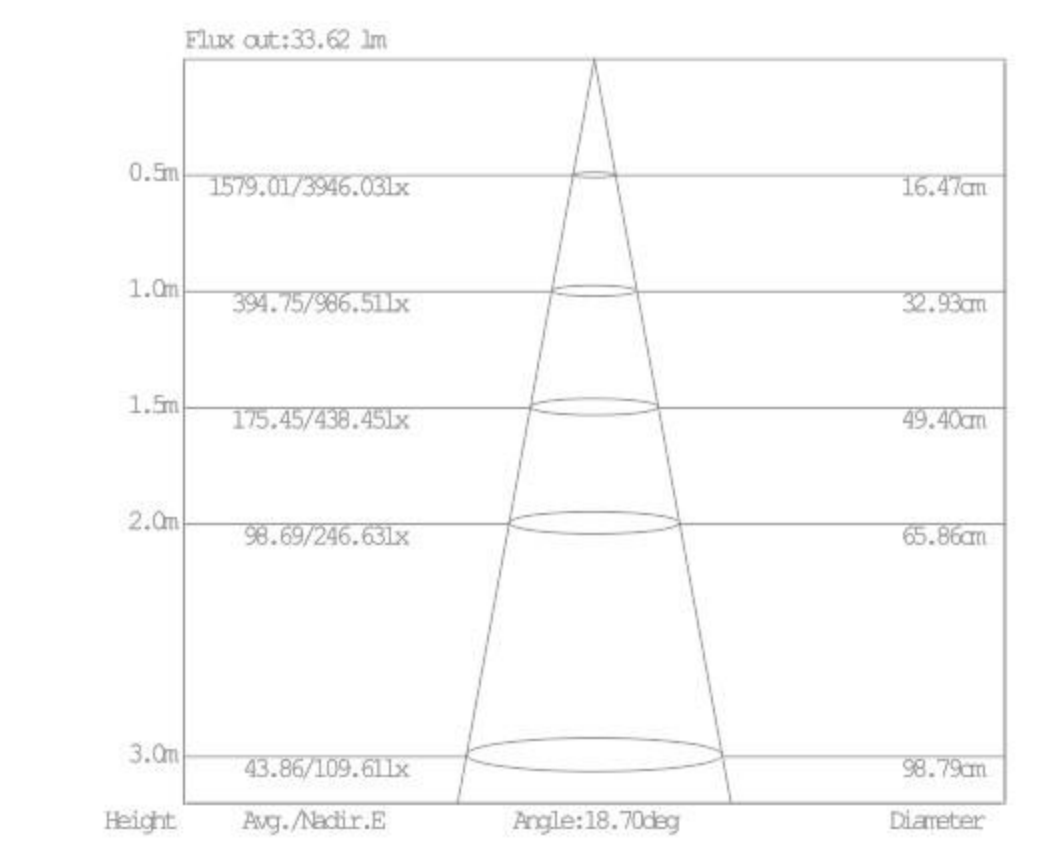
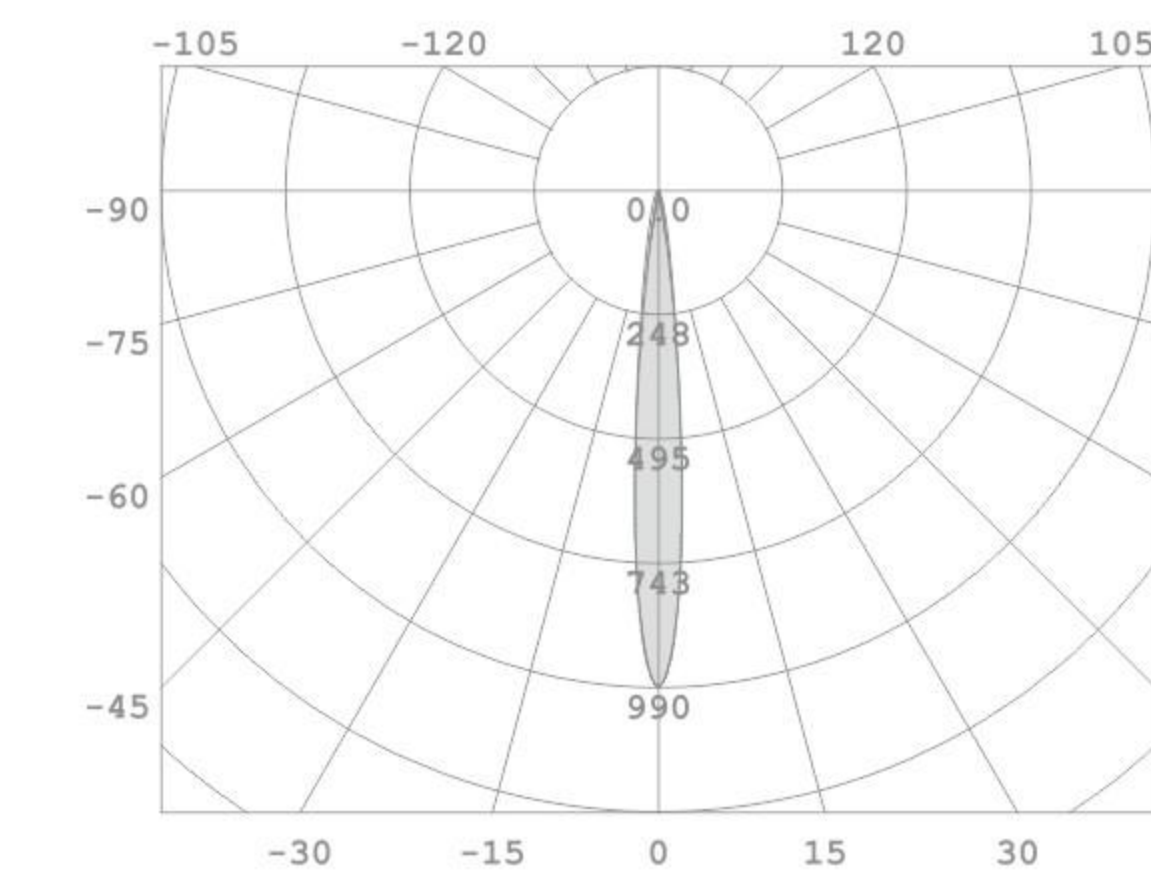
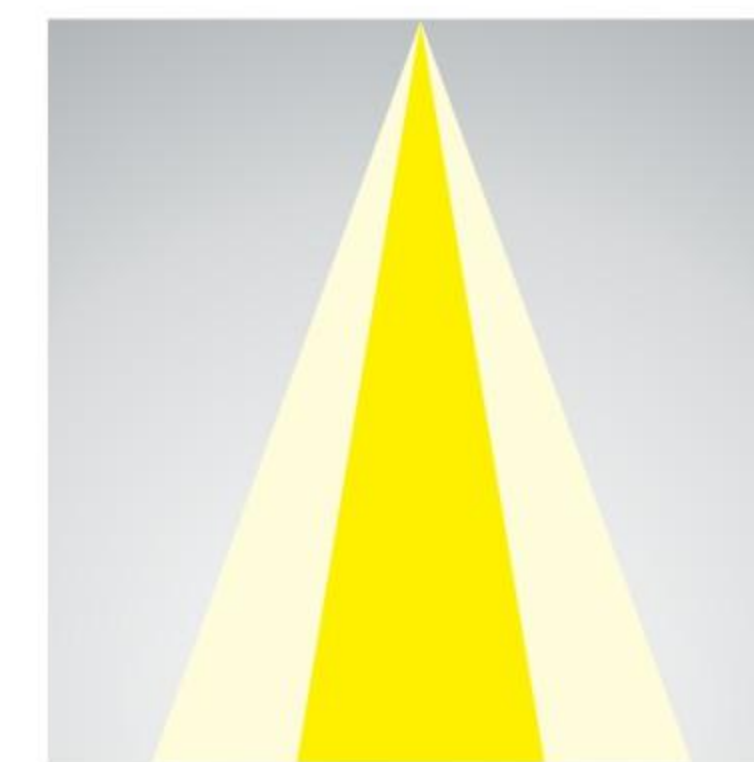


OTHER VERSIONS:

2700K/3000K/4000K/5000K  
 40°

For more information, please visit our website or contact our sales representative

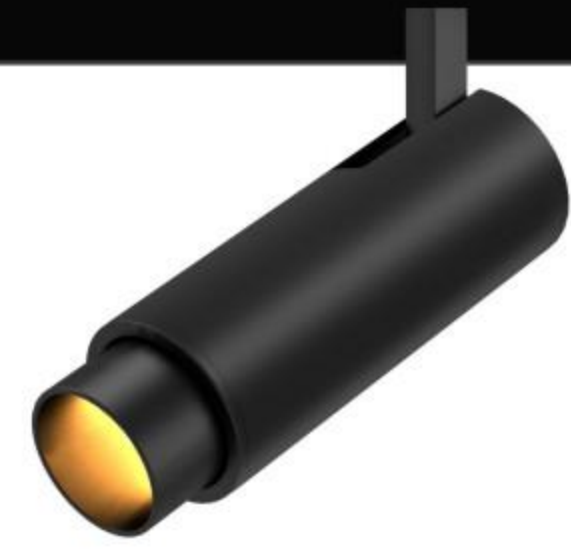
ANGLE 19°



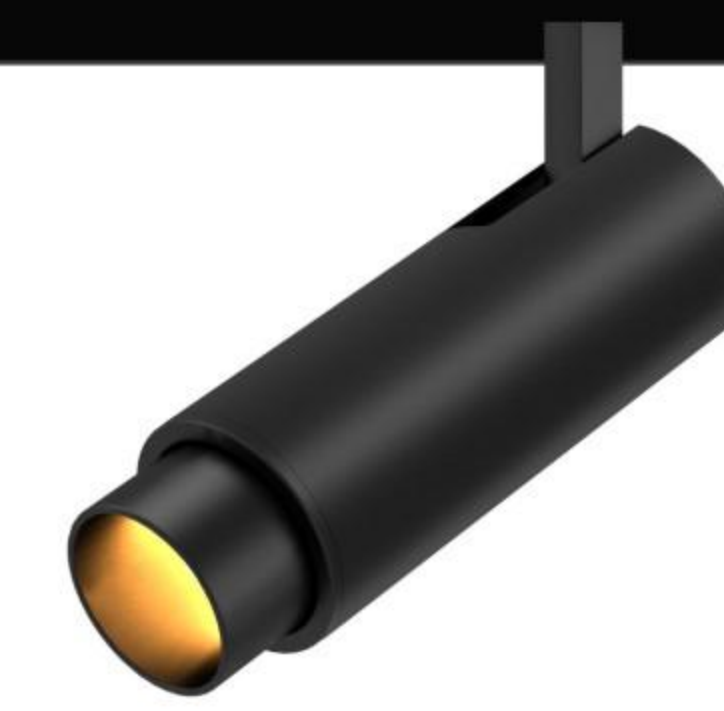
OTHER VERSIONS:

2700K/3000K/4000K/5000K  
 40°

For more information, please visit our website or contact our sales representative

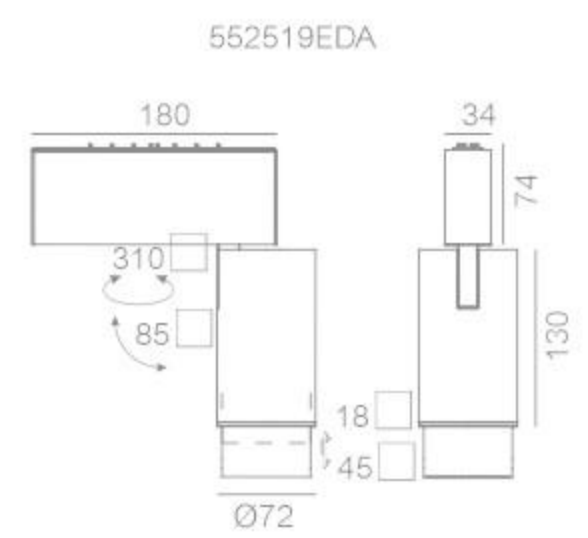


GEN KMM

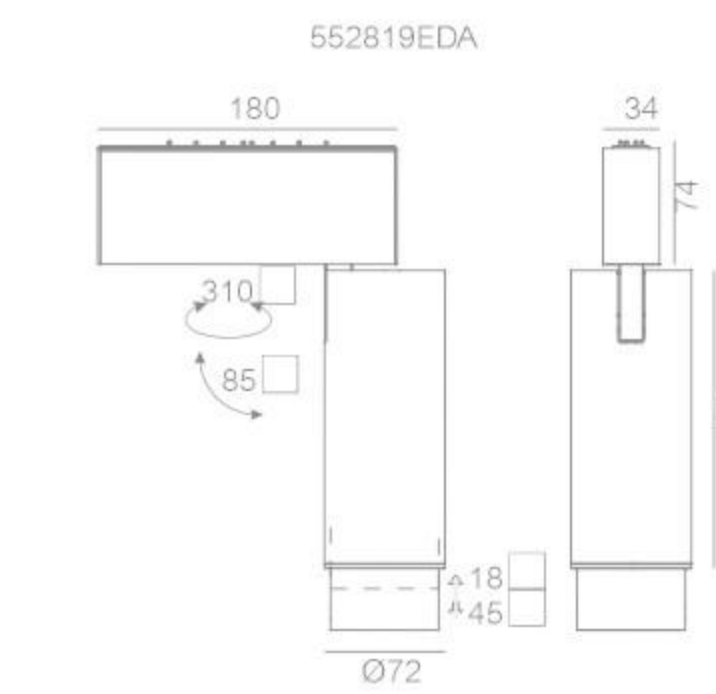


GEN CML

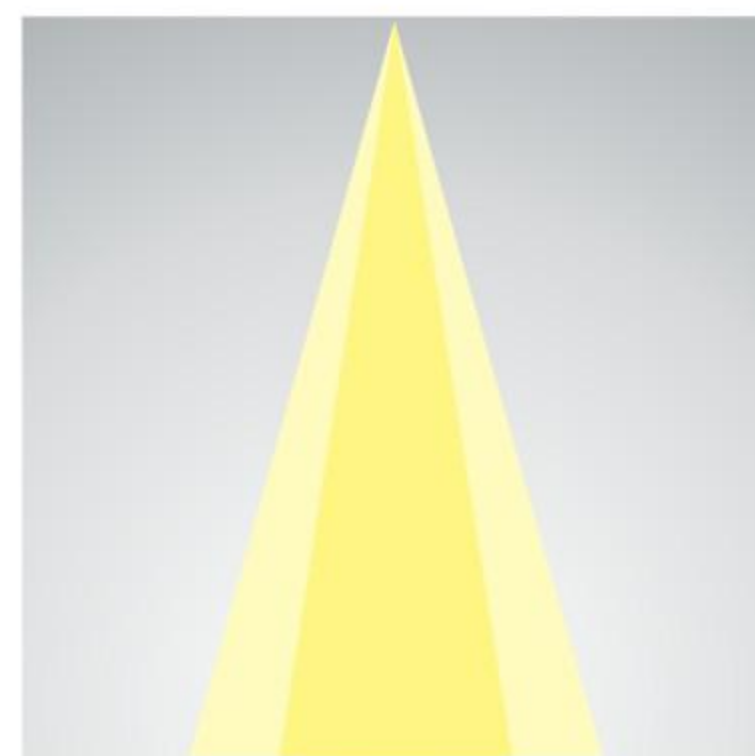
GEN KMM   
 LED POWER: 5.8W  
 LED OUTPUT: 1700Lm  
 SYSTEM POWER: 15.4W  
 SYSTEM OUTPUT: 585Lm/3000K  
 INPUT: 48VDC  
 CRI: 90  
 DIMENSION: Ø72\*130mm  
 HOLE SIZE: /



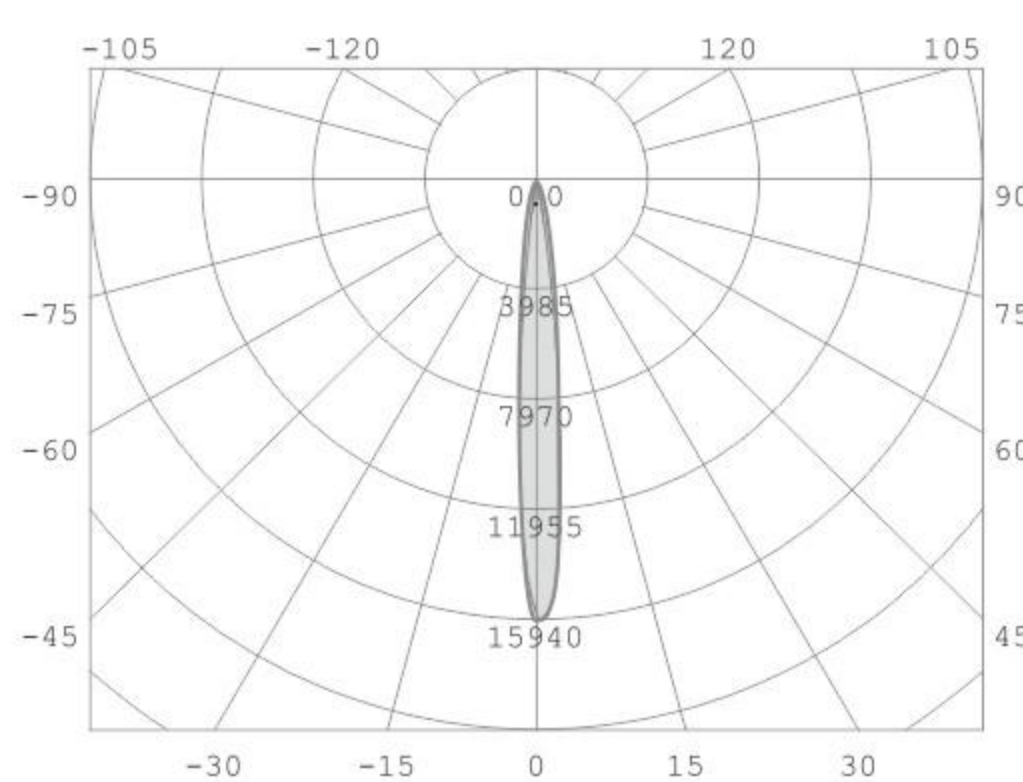
GEN KML   
 LED POWER: 8.8W  
 LED OUTPUT: 2596Lm  
 SYSTEM POWER: 23.5W  
 SYSTEM OUTPUT: 839Lm/3000K  
 INPUT: 48VDC  
 CRI: 90  
 DIMENSION: Ø72\*179mm  
 HOLE SIZE: /



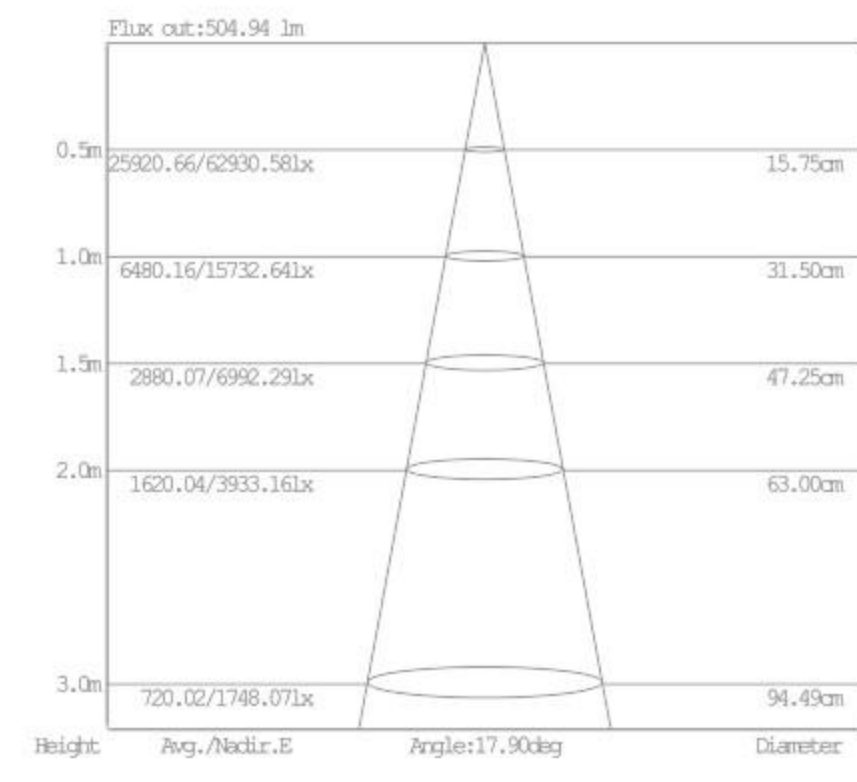
ANGLE 18°



5.8W 18° 3000K



5.8W 18° 3000K

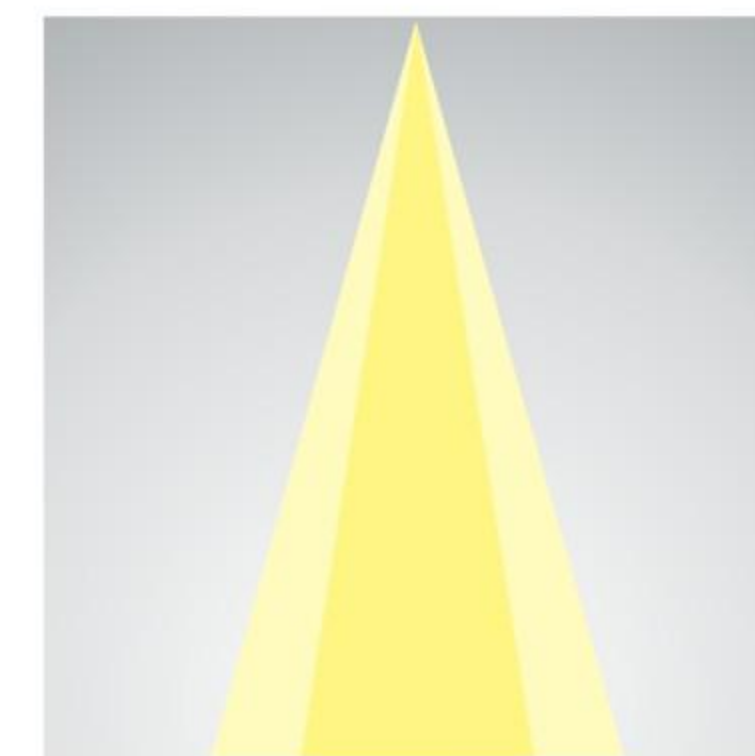


OTHER VERSIONS:

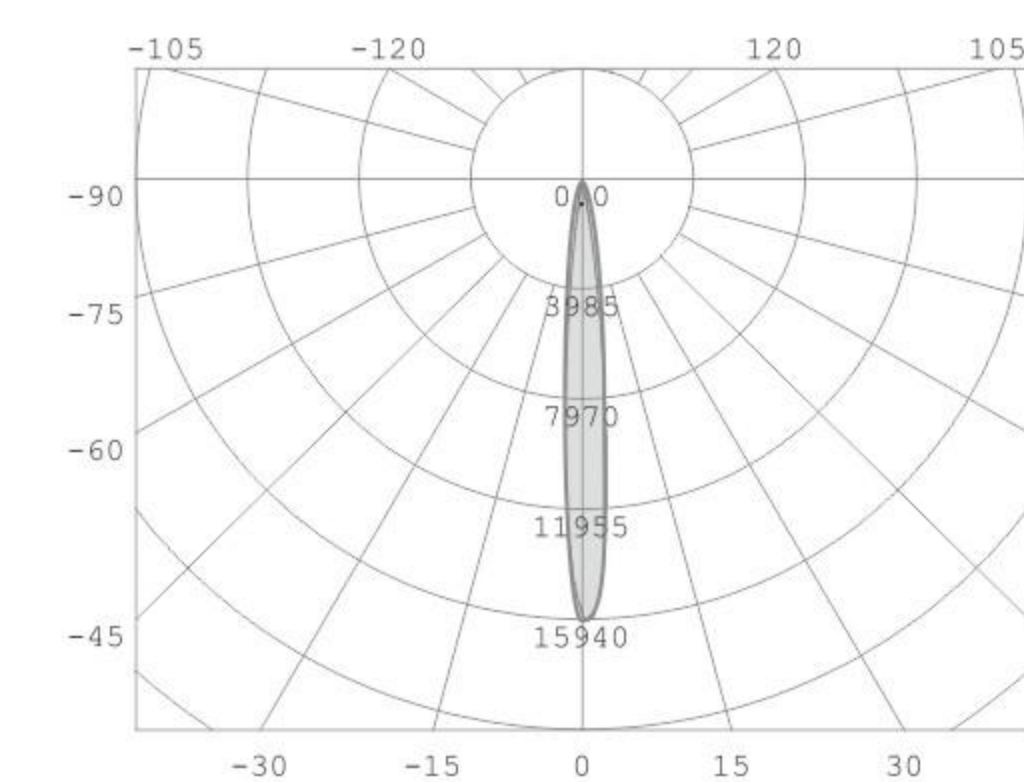


For more information, please visit our website or contact our sales representative

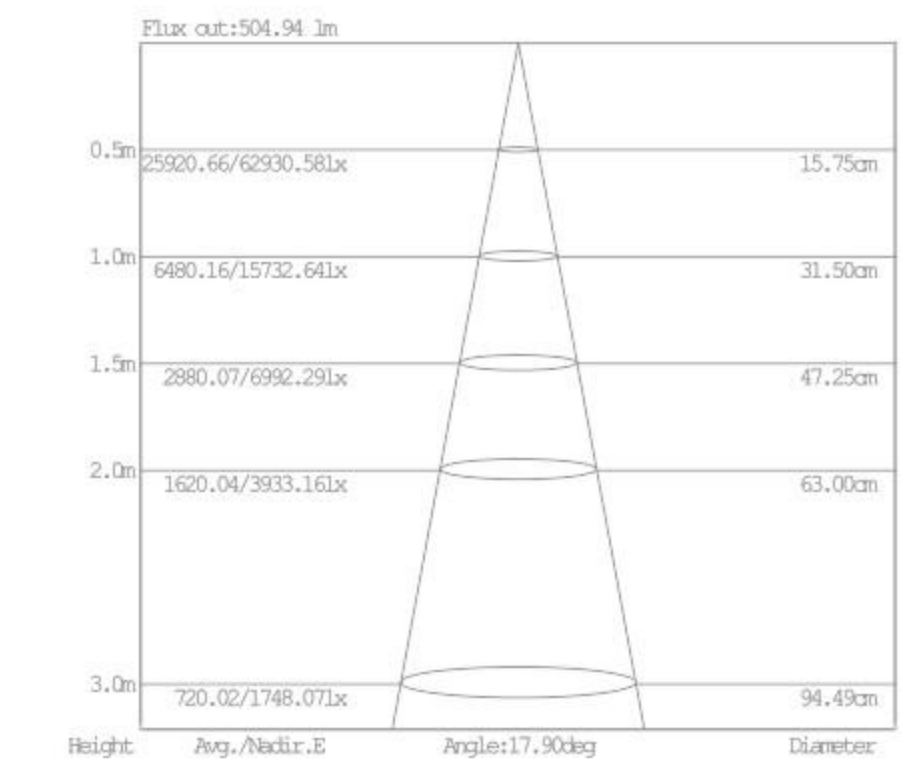
ANGLE 18°



8.8W 18° 3000K



8.8W 18° 3000K



OTHER VERSIONS:



For more information, please visit our website or contact our sales representative



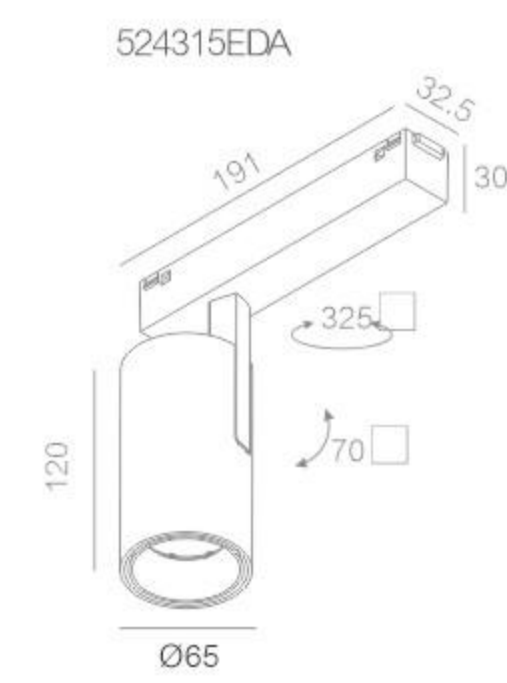
GLORY KM S SIDE



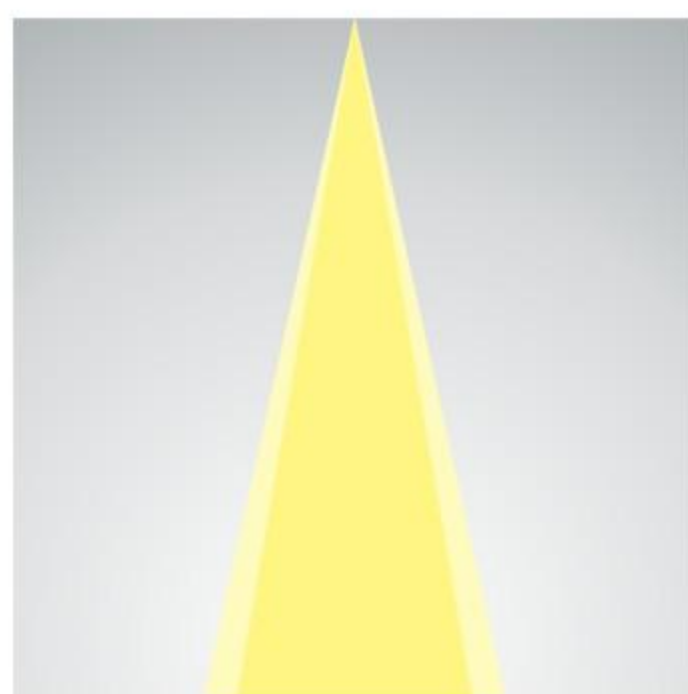
GLORY KM M SIDE

GLORY KM S SIDE

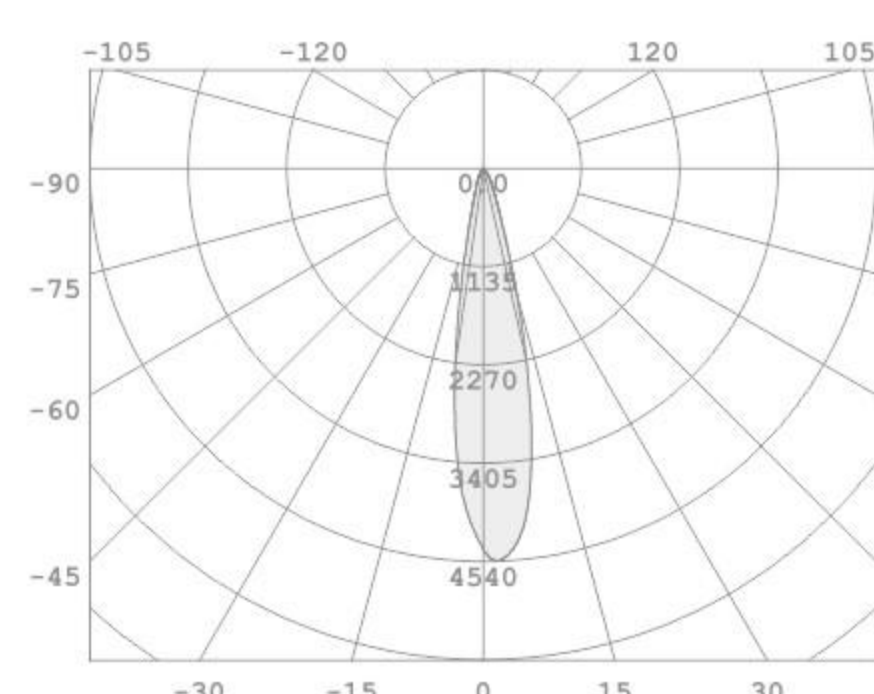
LED POWER: 12.9W  
 LED LUMEN: 1223LM/3000K  
 LUMINAIRE LUMEN: 819LM/3000K  
 INPUT: 48V DC  
 CRI: 90  
 DIMENSION: Ø65\*191mm\*182mm  
 HOLE SIZE: /



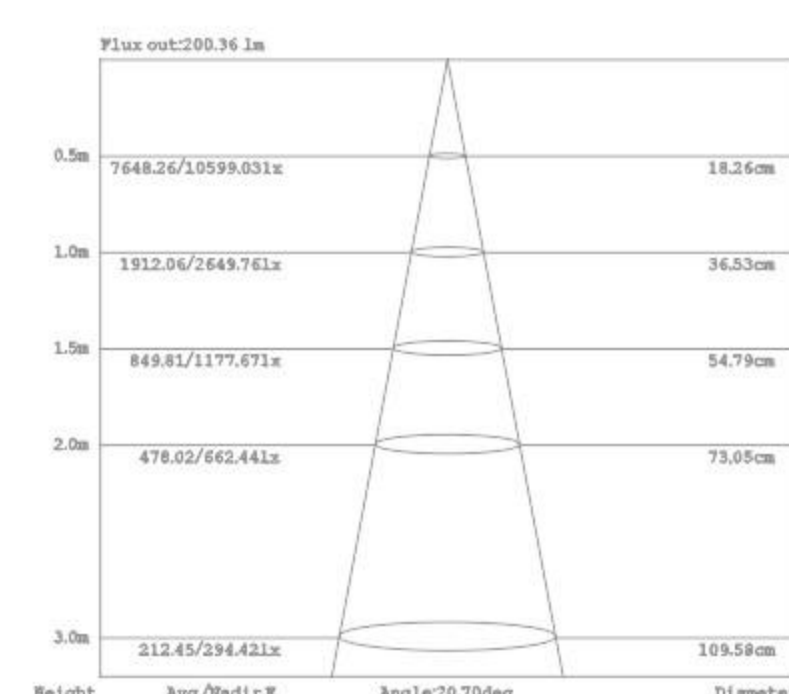
ANGLE 20°



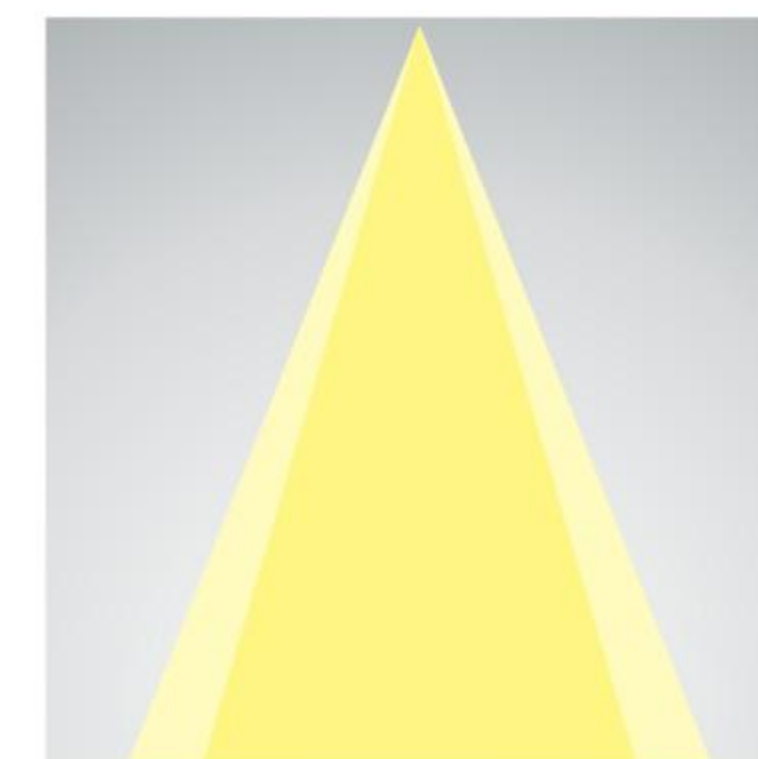
12.9W 20° 3000K



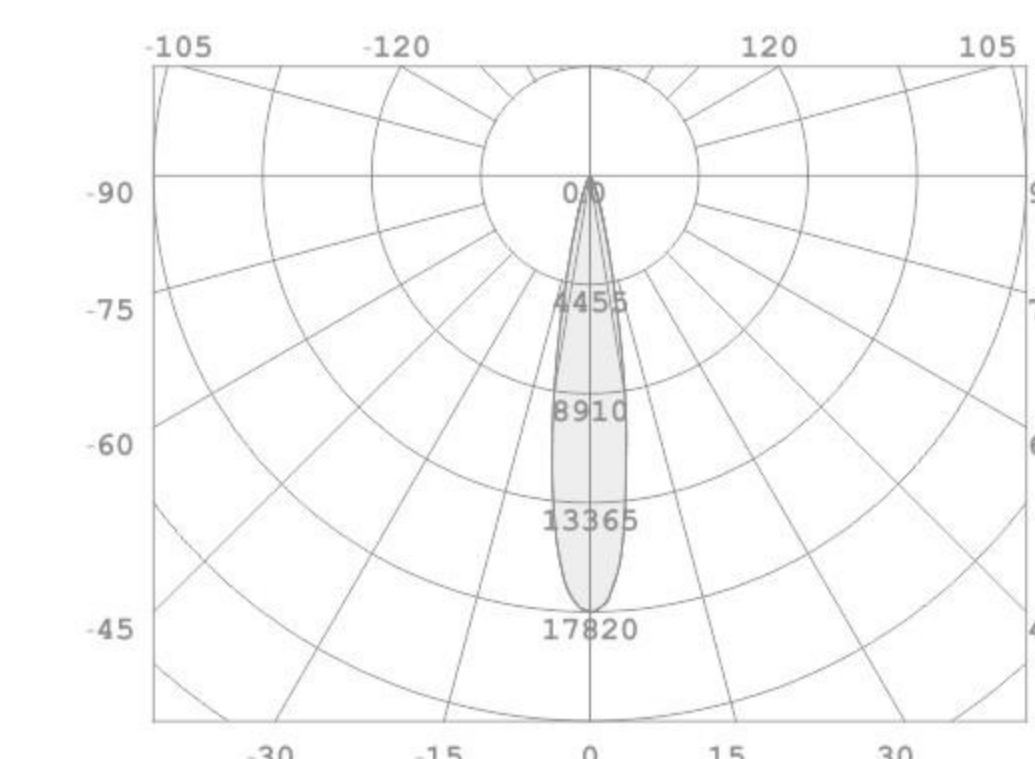
12.9W 20° 3000K



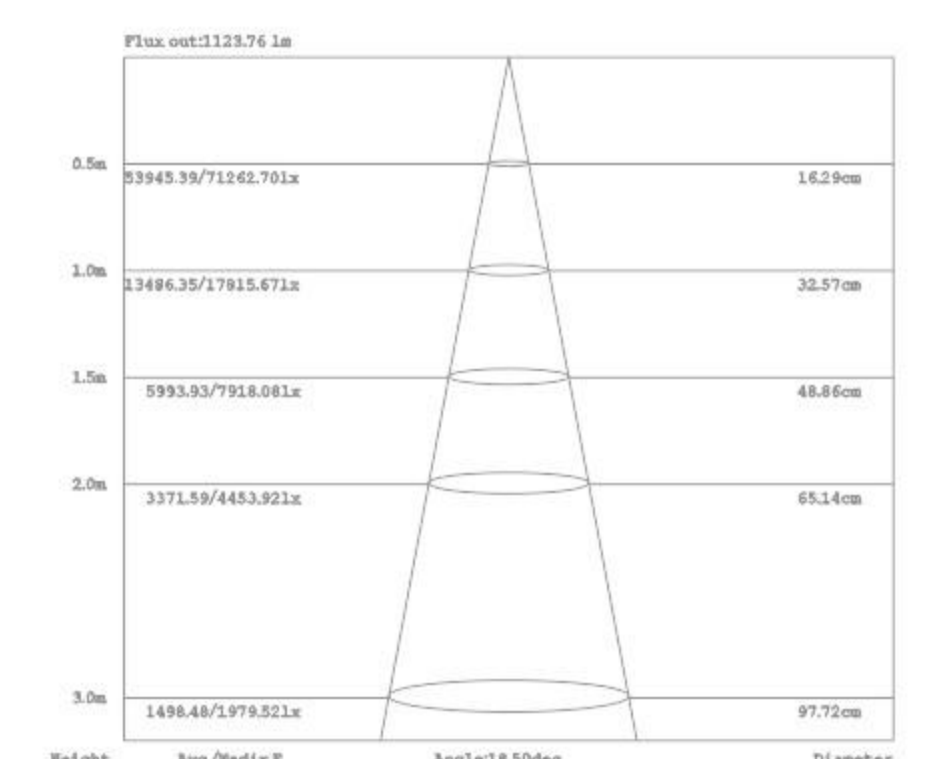
ANGLE 20°



32.4W 20° 3000K



32.4W 20° 3000K



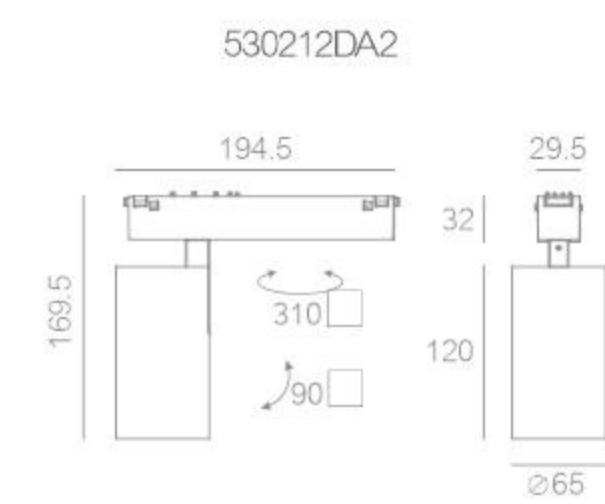


GLORY KM M

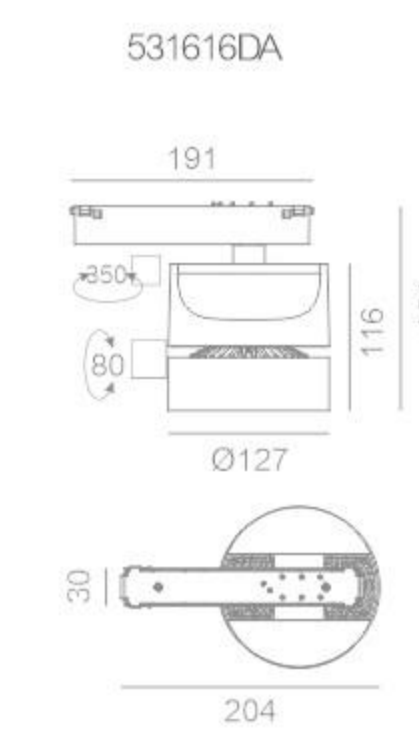


GRID KM T

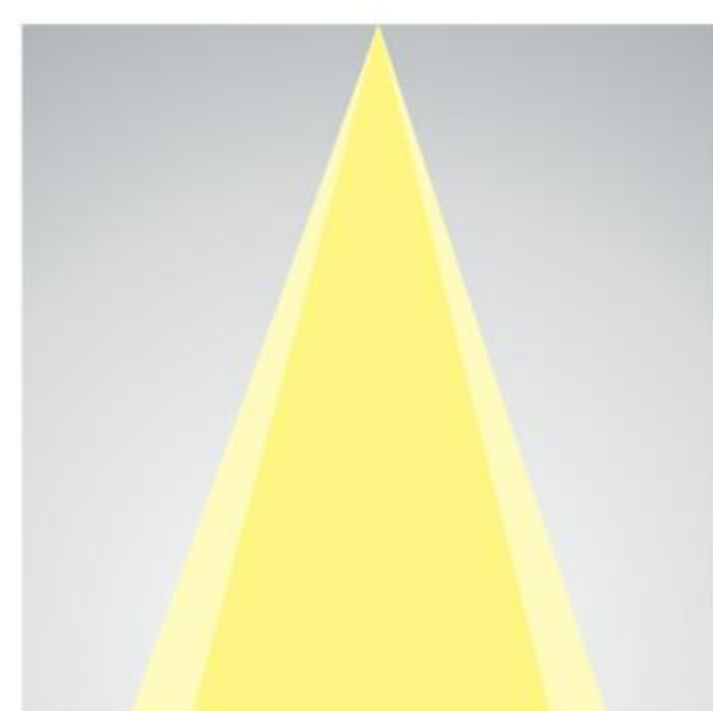
GLORY KM M   
 LED POWER: 17.7W  
 LED LUMEN: 1600LM/3000K  
 LUMINAIRE LUMEN: 1033Lm/3000K  
 INPUT: 48V DC  
 CRI: 90  
 DIMENSION: Ø65\*120mm  
 HOLE SIZE: /



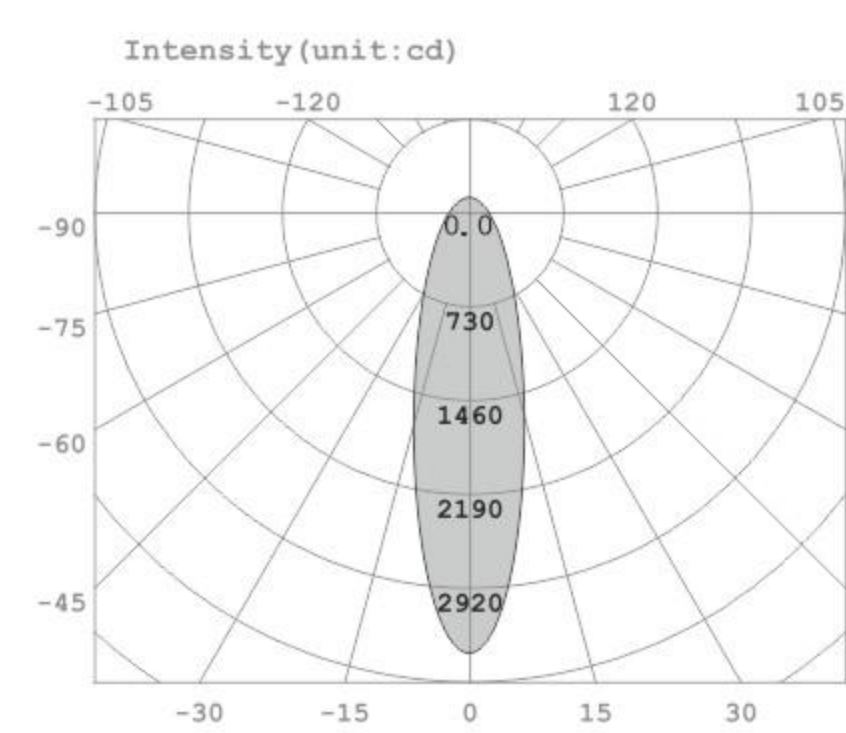
GRID KM T   
 LED POWER: 32.3W  
 LED OUTPUT: /  
 LUMINAIRE LUMEN: 3017LM/3000K  
 INPUT: 48V DC  
 CRI: 90  
 DIMENSION: Ø127\*116mm\*191mm  
 HOLE SIZE: /



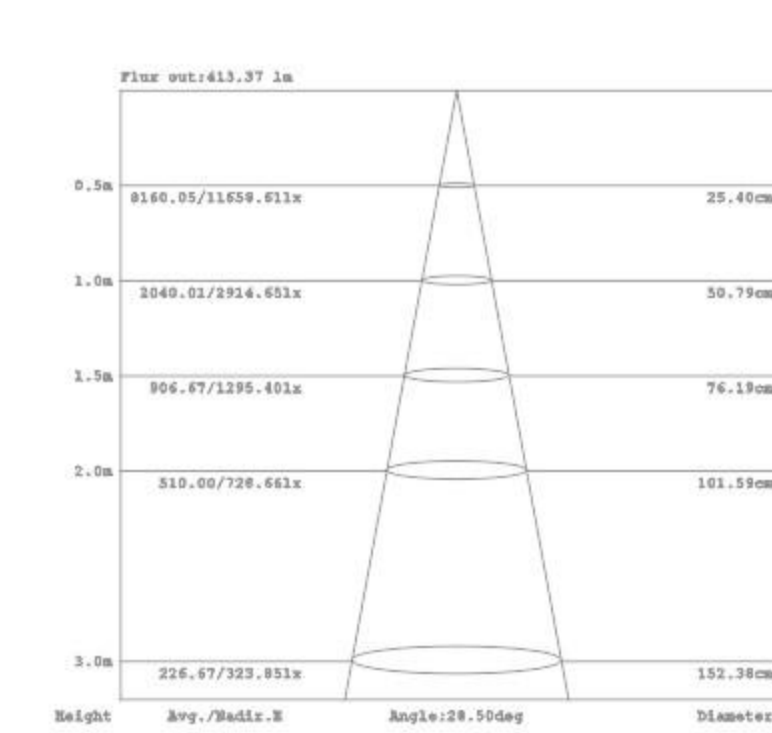
ANGLE 29°



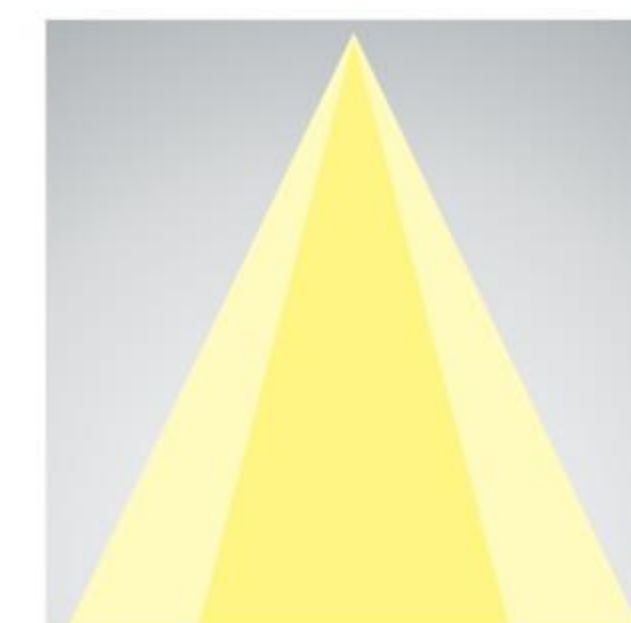
17.7W 29° 3000K



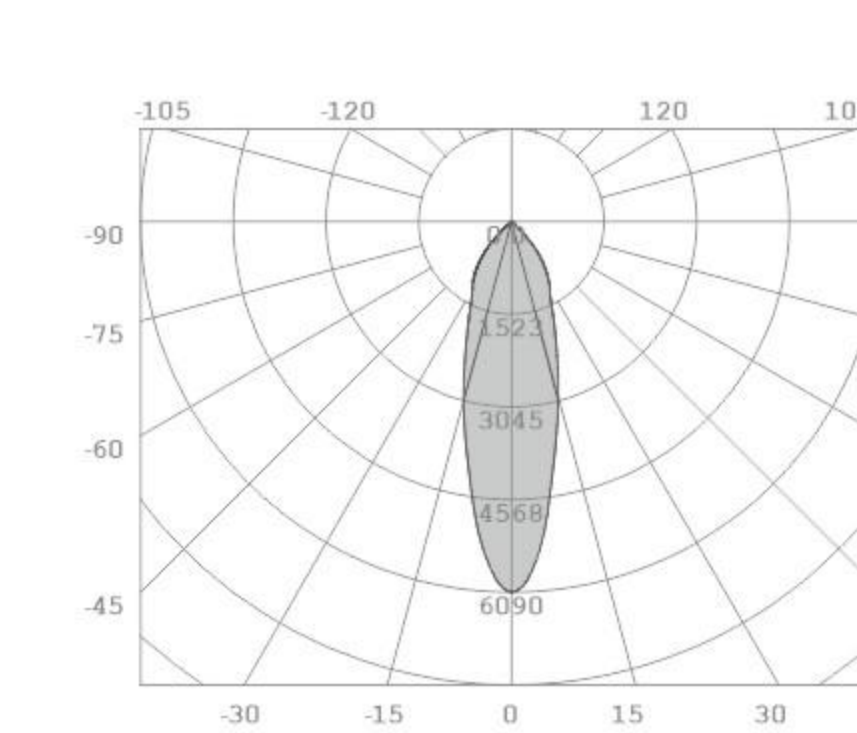
17.7W 29° 3000K



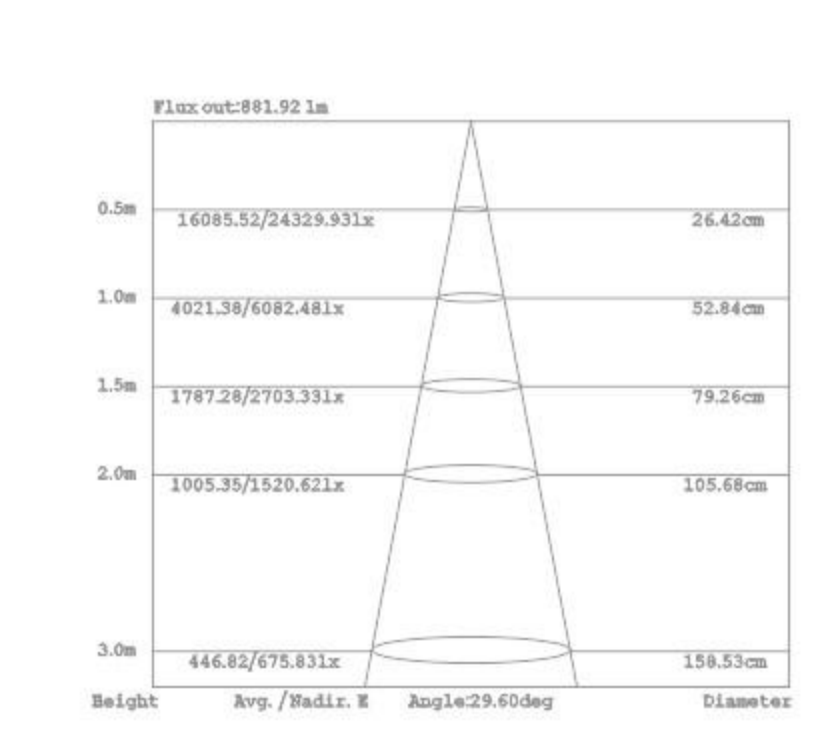
ANGLE 30°



32.3W 30° 3000K



32.3W 30° 3000K





GRACE KM S SIDE



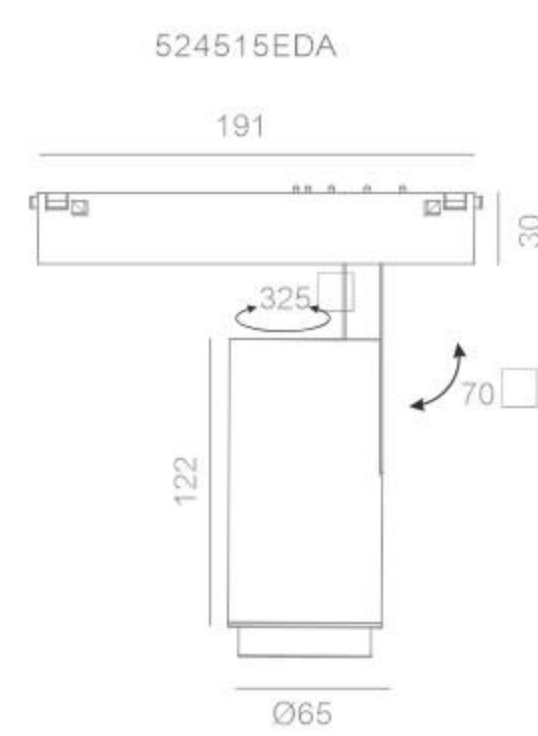
ANGLE 15°-30°

GRACE KM M SIDE

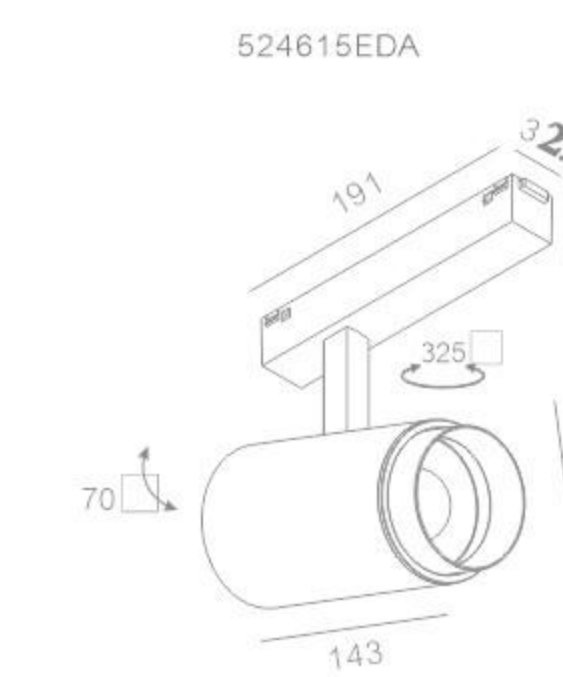


ANGLE 15°-30°

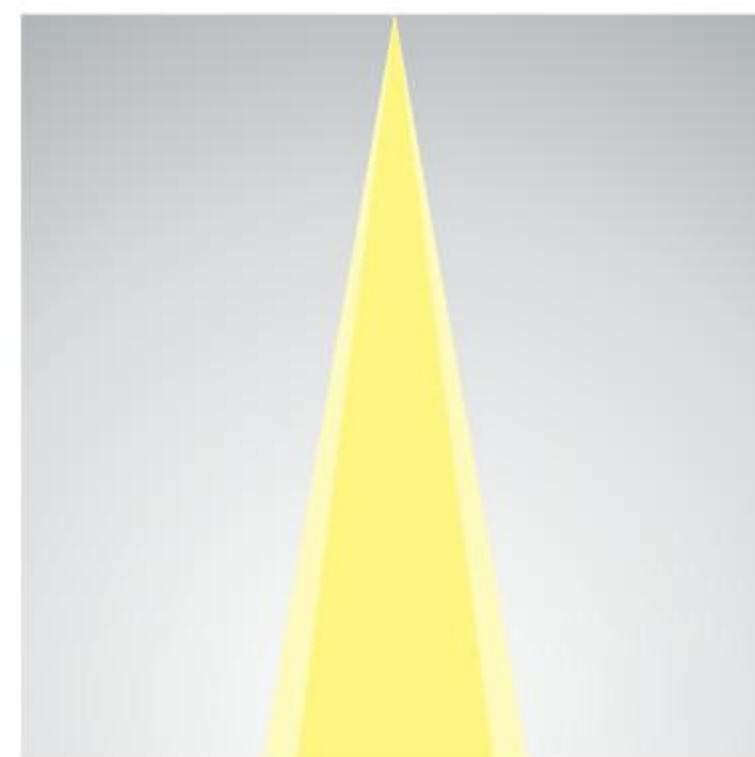
GRACE KM S SIDE   
 LED POWER: 12.9W  
 LED LUMEN: 1223LM/3000K  
 LUMINAIRE LUMEN: 1045LM/3000K  
 INPUT: 48VDC  
 CRI: 90  
 DIMENSION: Ø65\*191\*192mm  
 HOLE SIZE: /



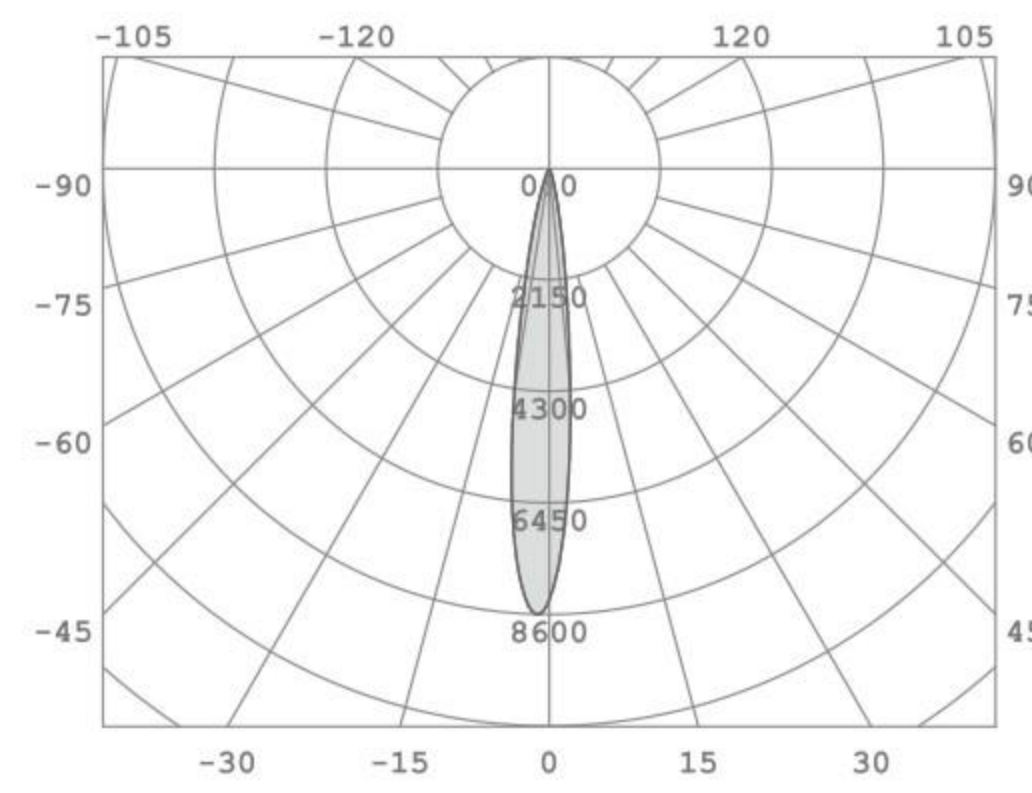
GRACE KM M SIDE   
 LED POWER: 32.4W  
 LED LUMEN: 3080LM/3000K  
 LUMINAIRE LUMEN: 1632LM/3000K  
 INPUT: 48VDC  
 CRI: 90  
 DIMENSION: Ø86\*191\*215mm  
 HOLE SIZE: /



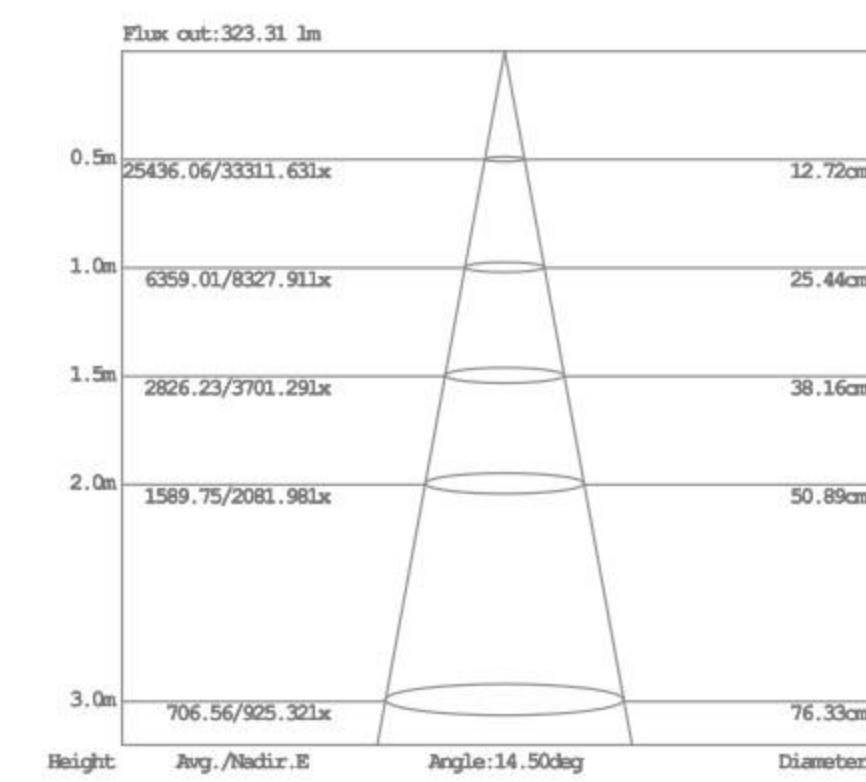
ANGLE 15° (MIN)



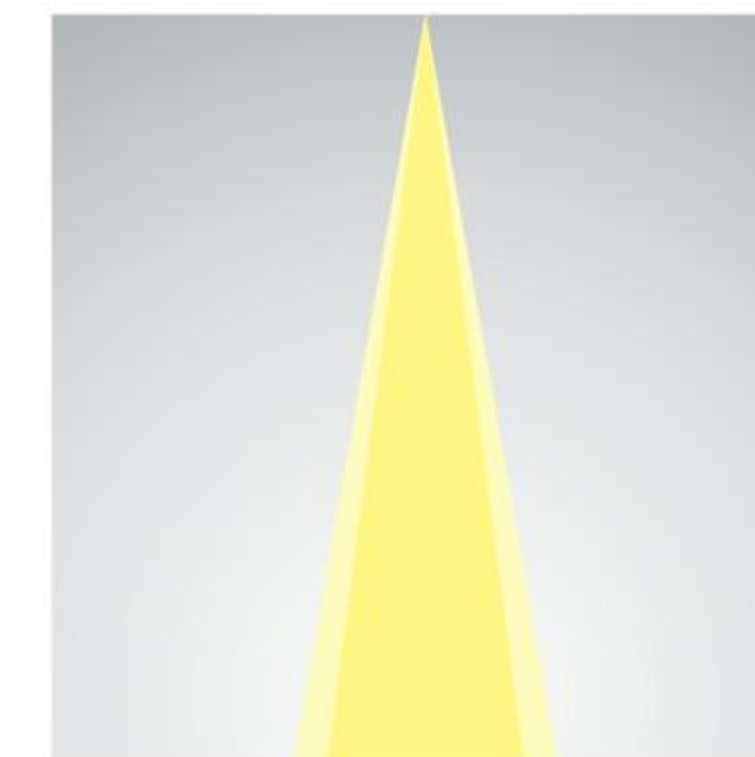
12.9W 15° 3000K



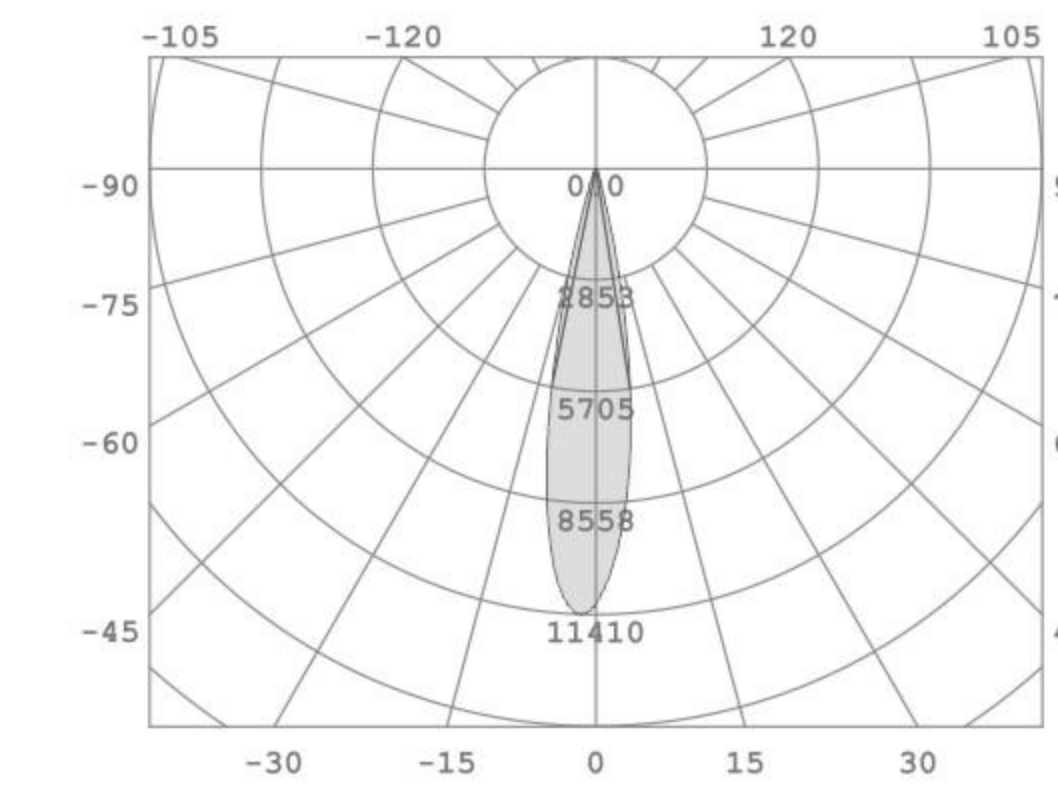
12.9W 15° 3000K



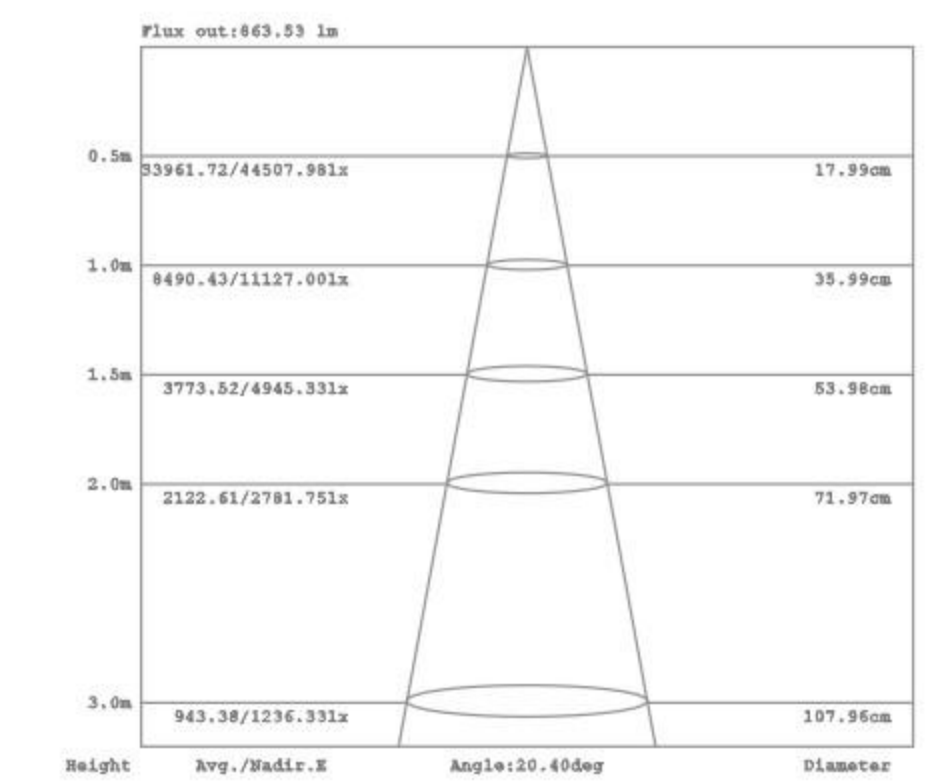
ANGLE 15° (MIN)



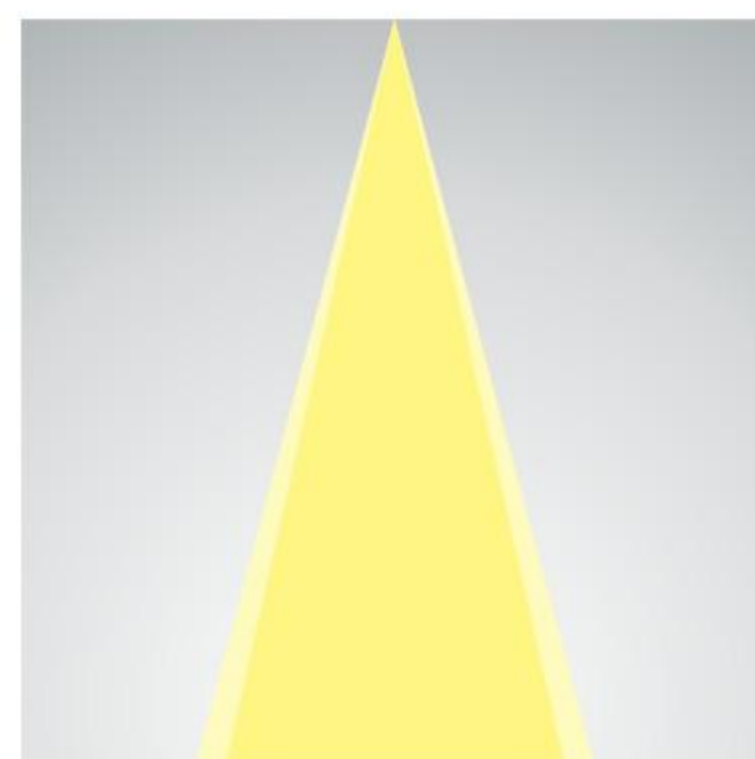
32.4W 15° 3000K



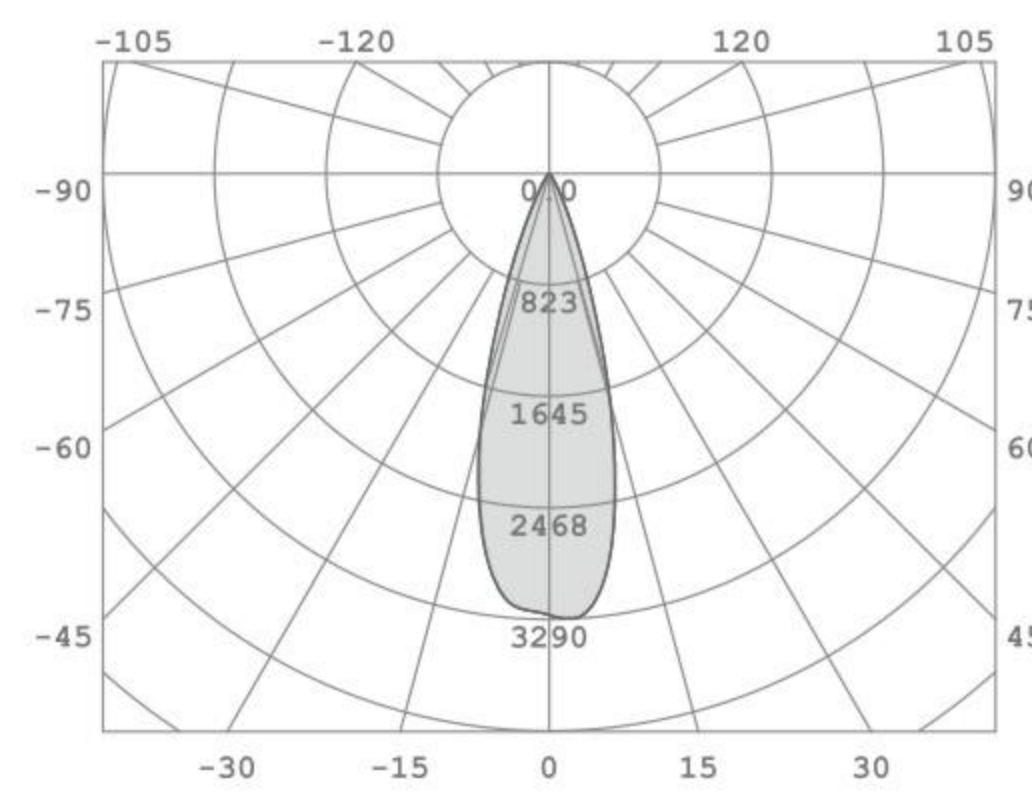
32.4W 15° 3000K



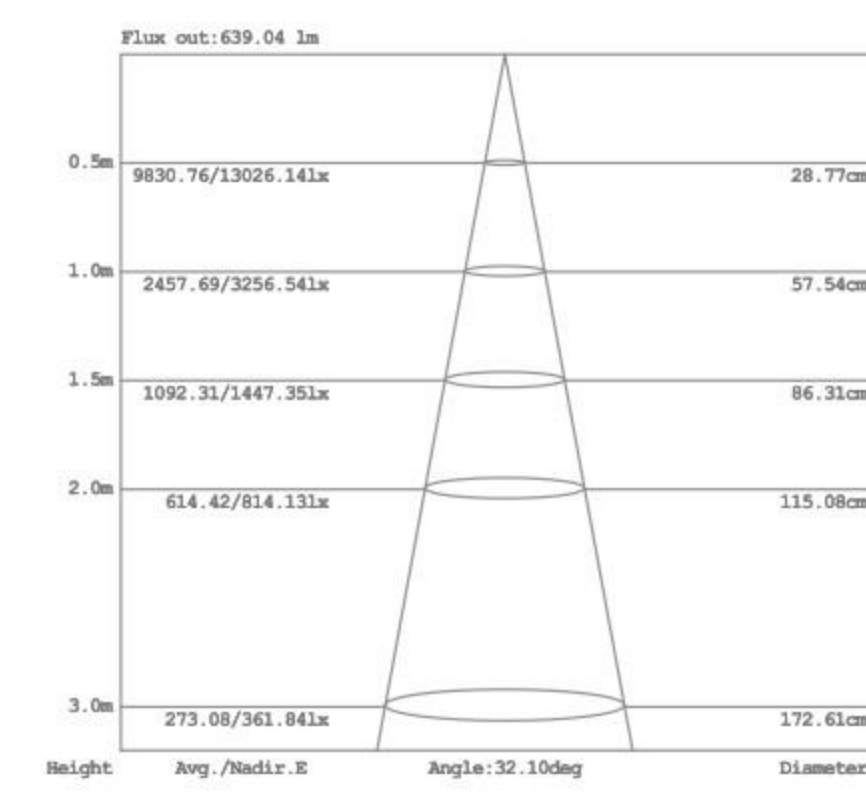
ANGLE 30° (MAX)



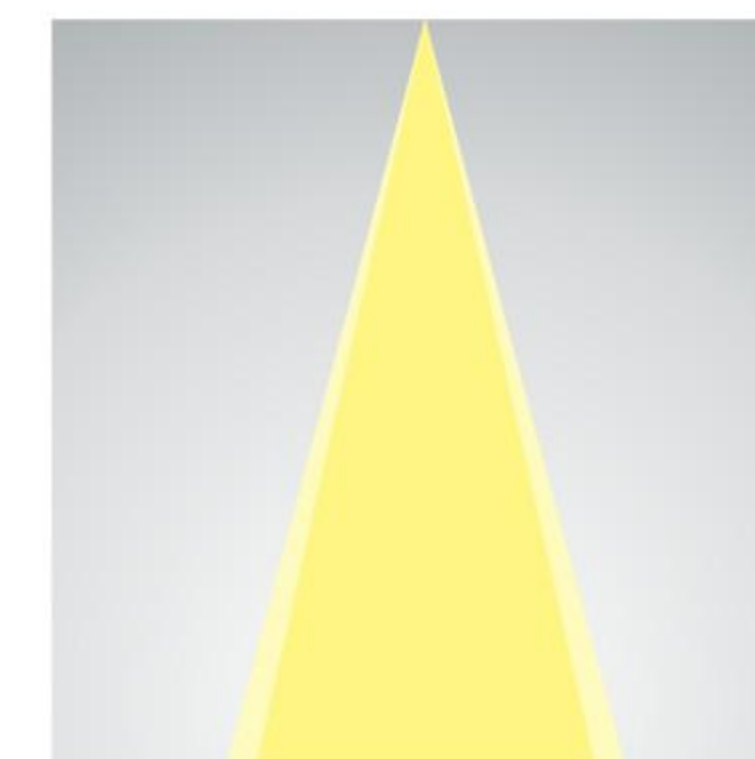
12.9W 30° 3000K



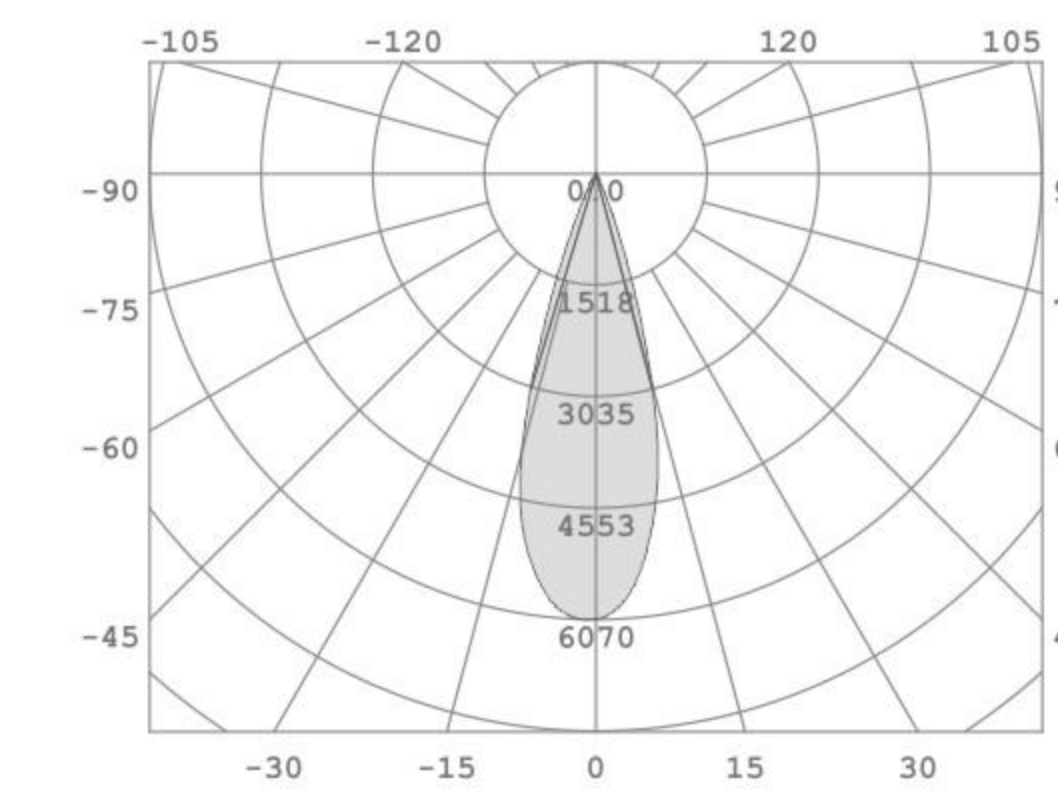
12.9W 30° 3000K



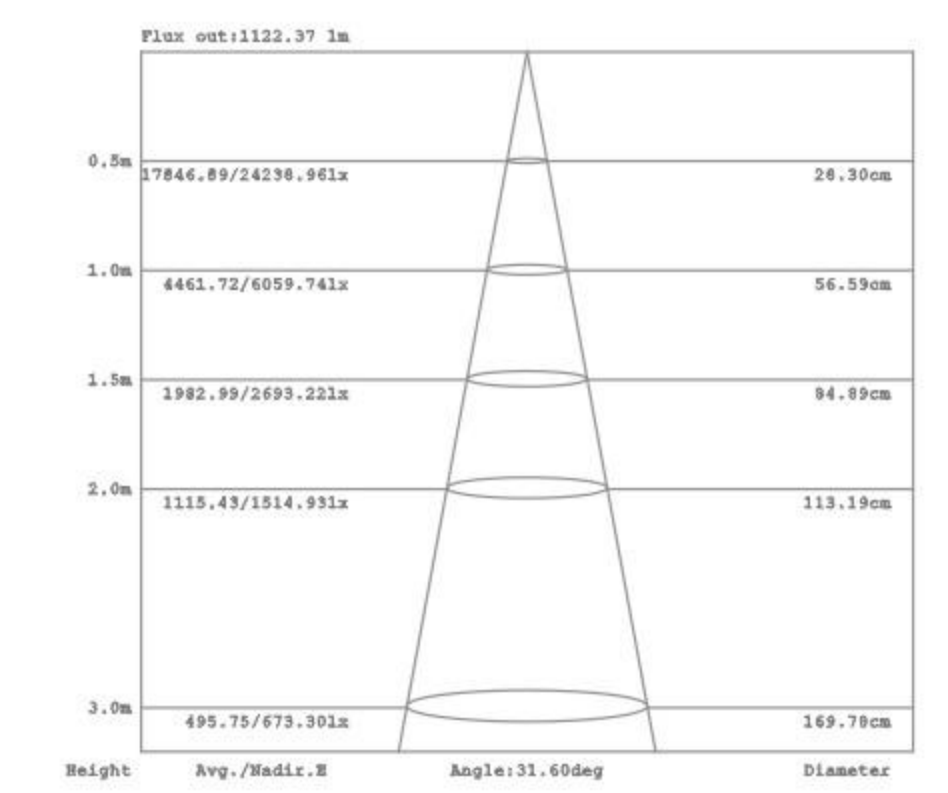
ANGLE 30° (MAX)



32.4W 30° 3000K



32.4W 30° 3000K



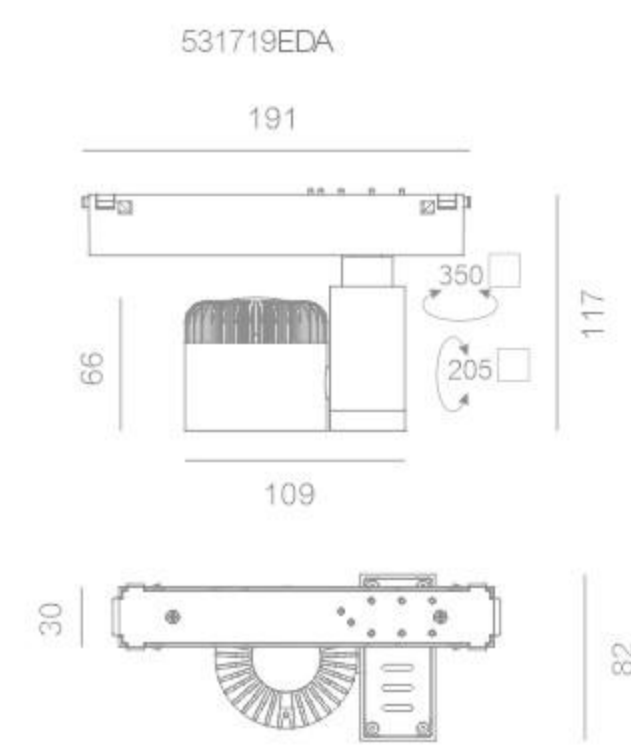


GUBI KM

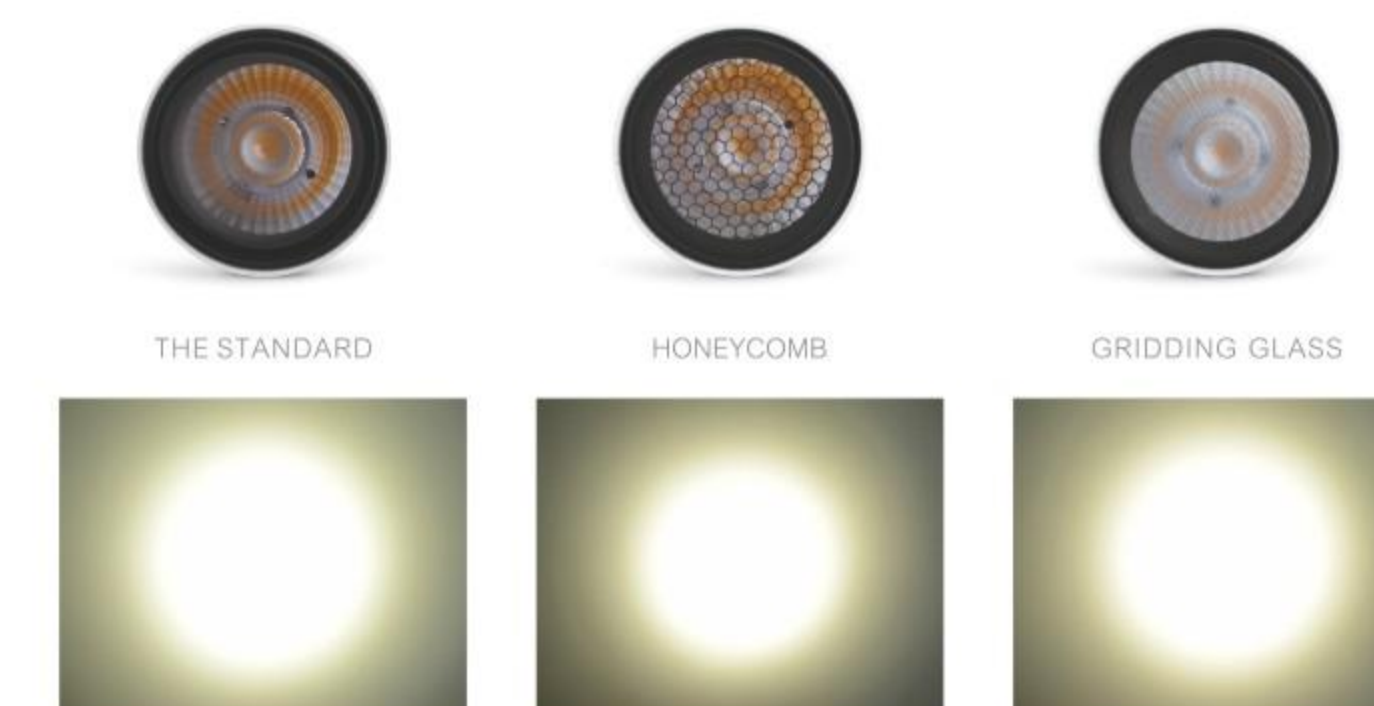
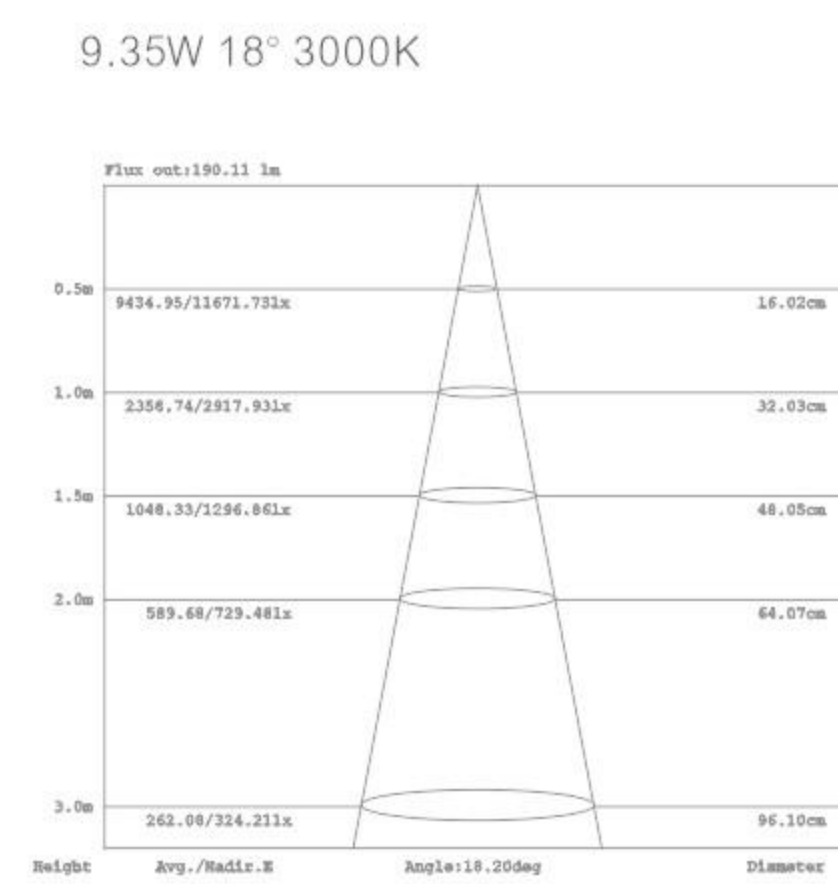
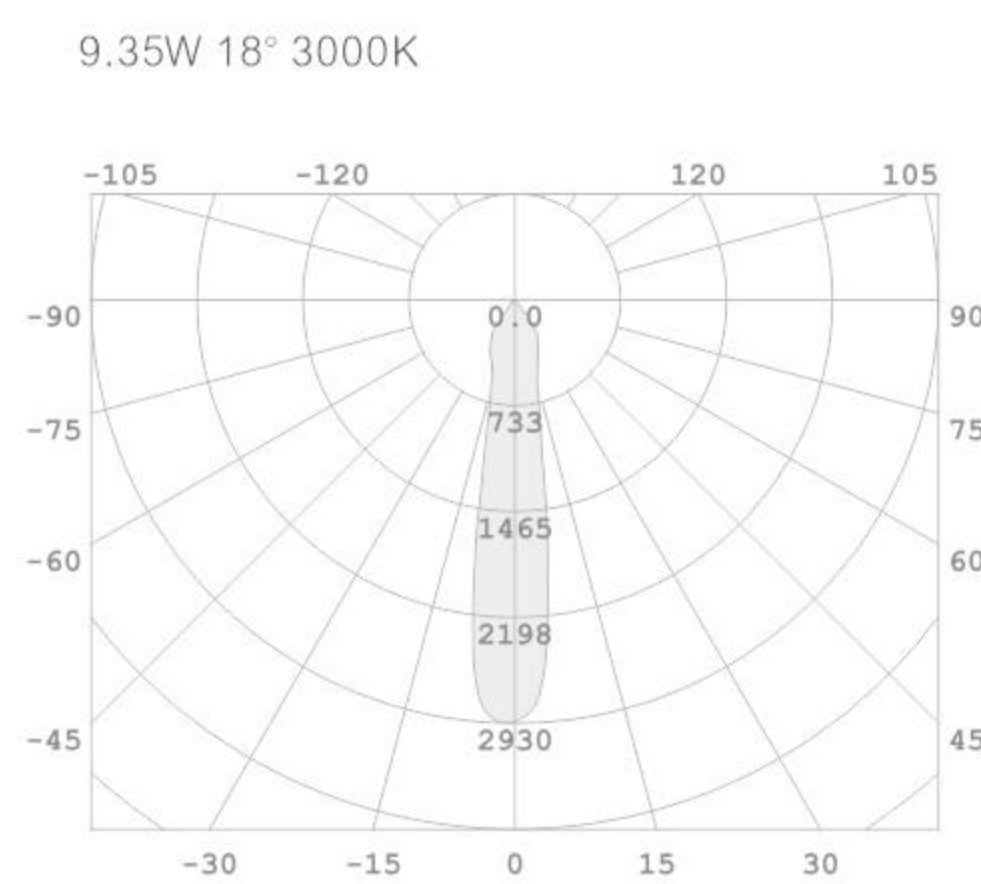
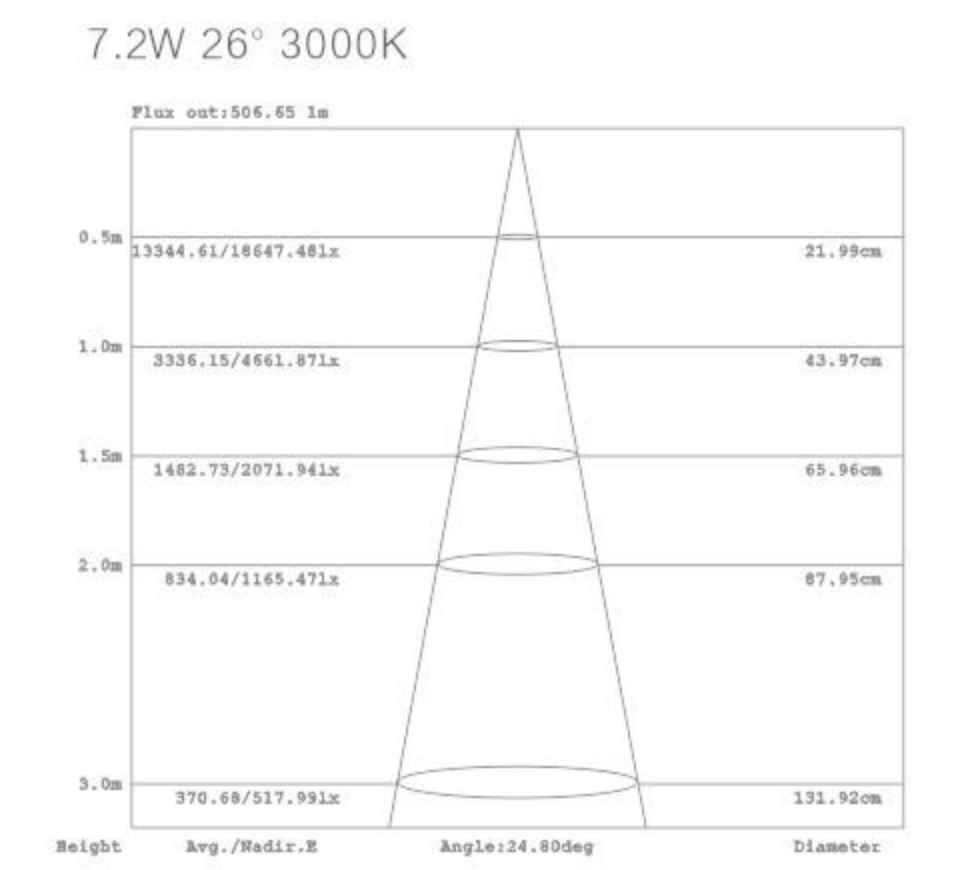
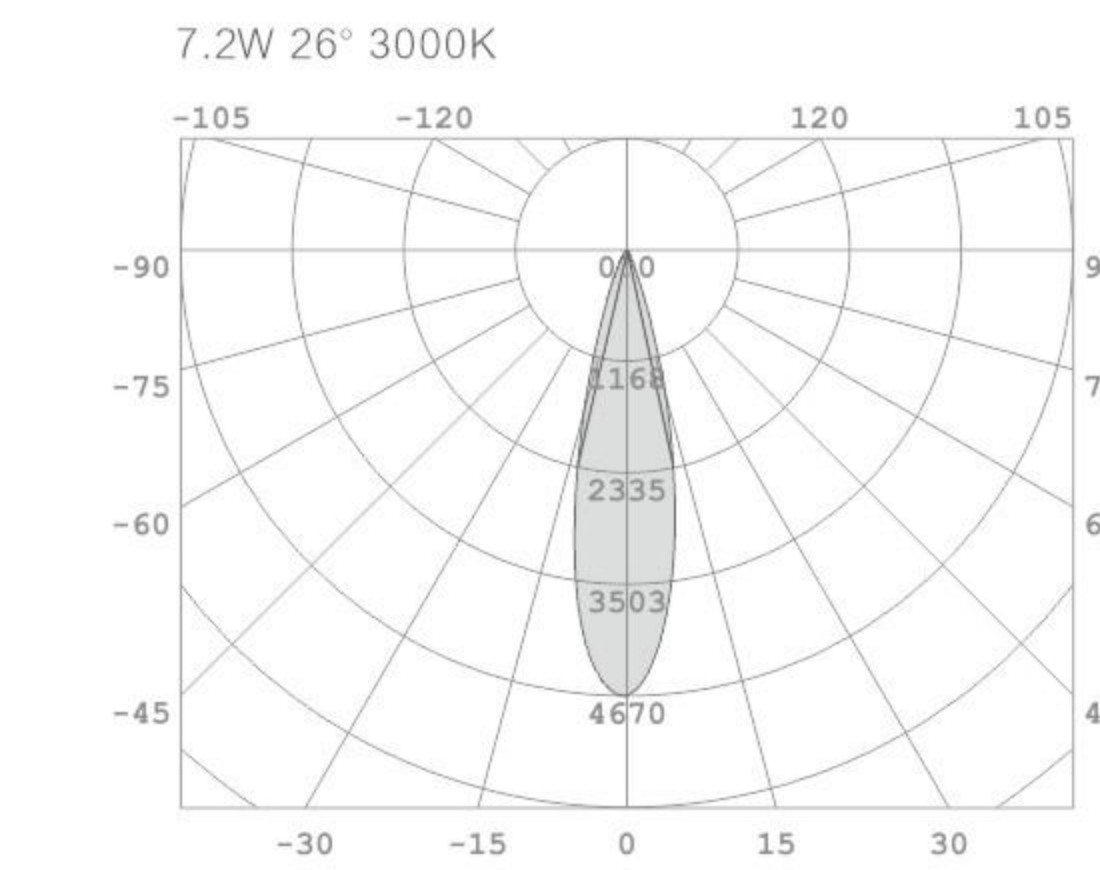
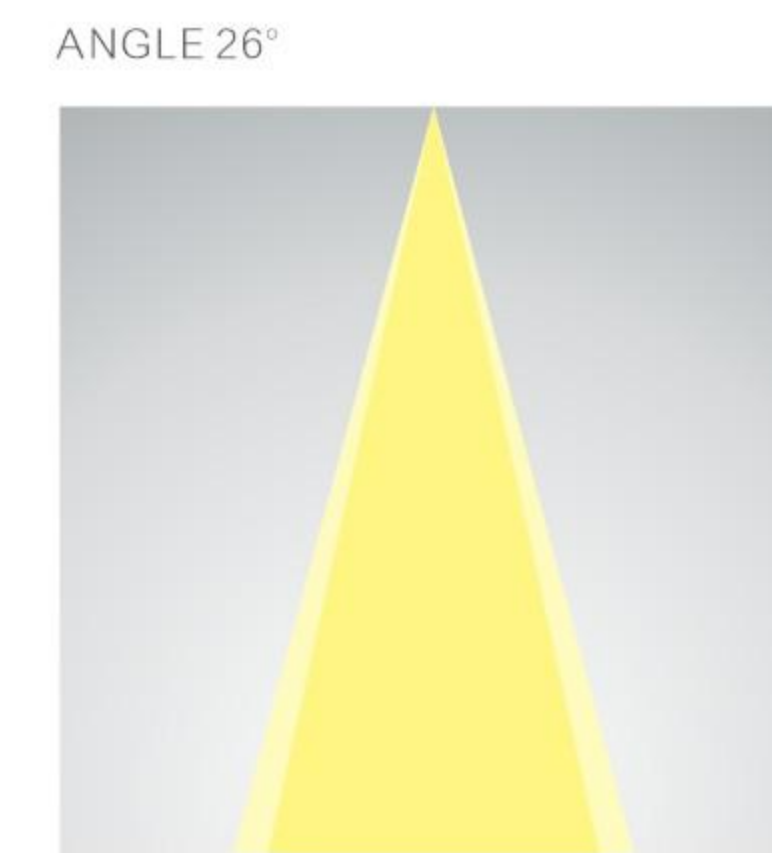
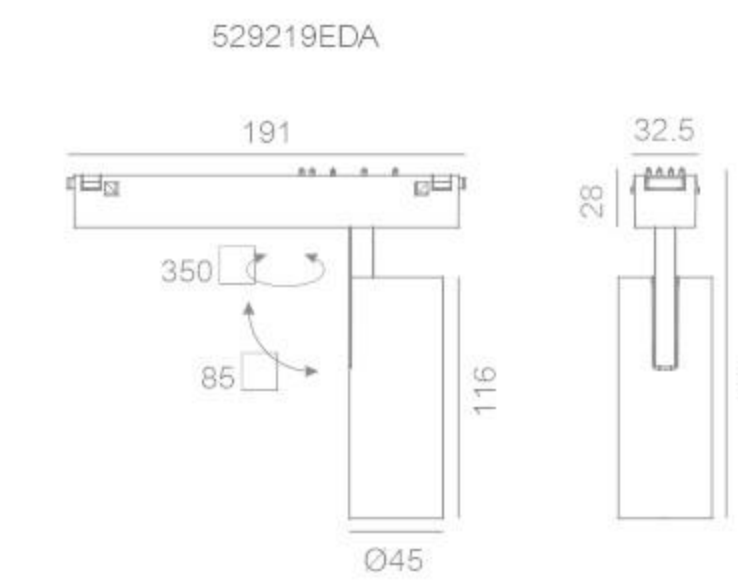


ORIAN KM SS

GUBI KM   
 LED POWER: 9.35W  
 LED LUMEN: 1009LM/3000K  
 LUMINAIRE LUMEN: 717LM  
 INPUT: 48VDC  
 CRI: 90  
 DIMENSION: Ø109\*117mm\*191mm  
 HOLE SIZE: /



ORIAN KM SS   
 LED POWER: 7.2W  
 LED LUMEN: /  
 LUMINAIRE LUMEN: 545LM/3000K  
 INPUT: 48VDC  
 CRI: 90  
 DIMENSION: Ø45\*168\*191mm  
 HOLE SIZE: /



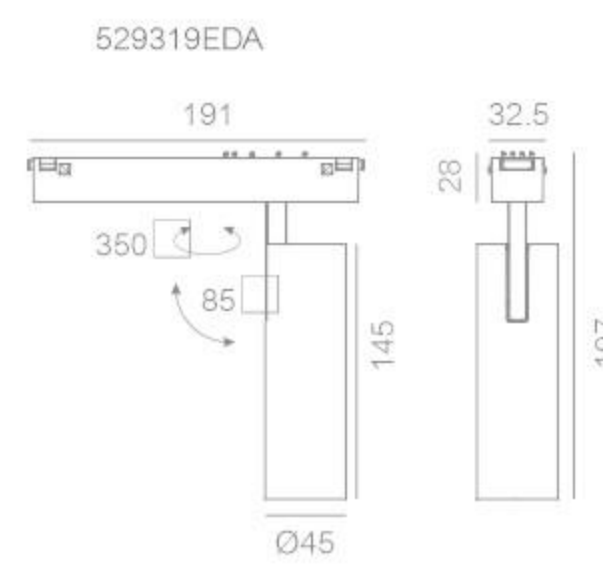


ORIAN KM S

ORIAN KM M

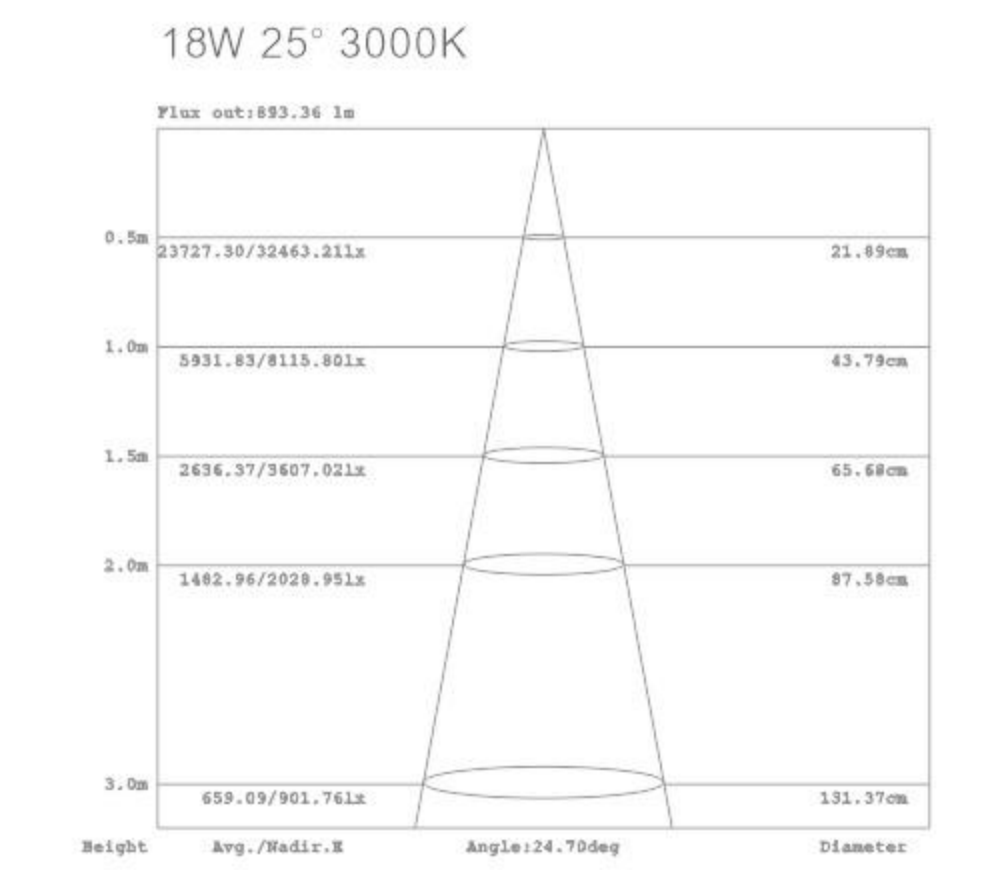
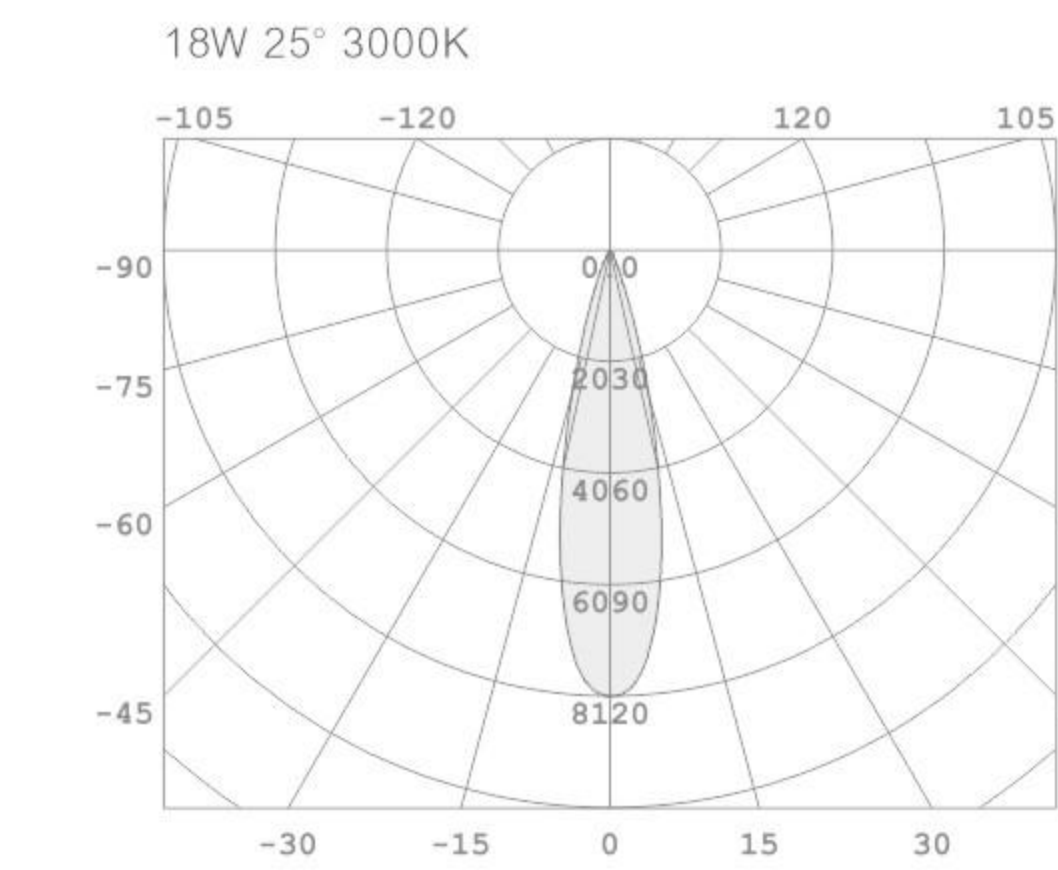
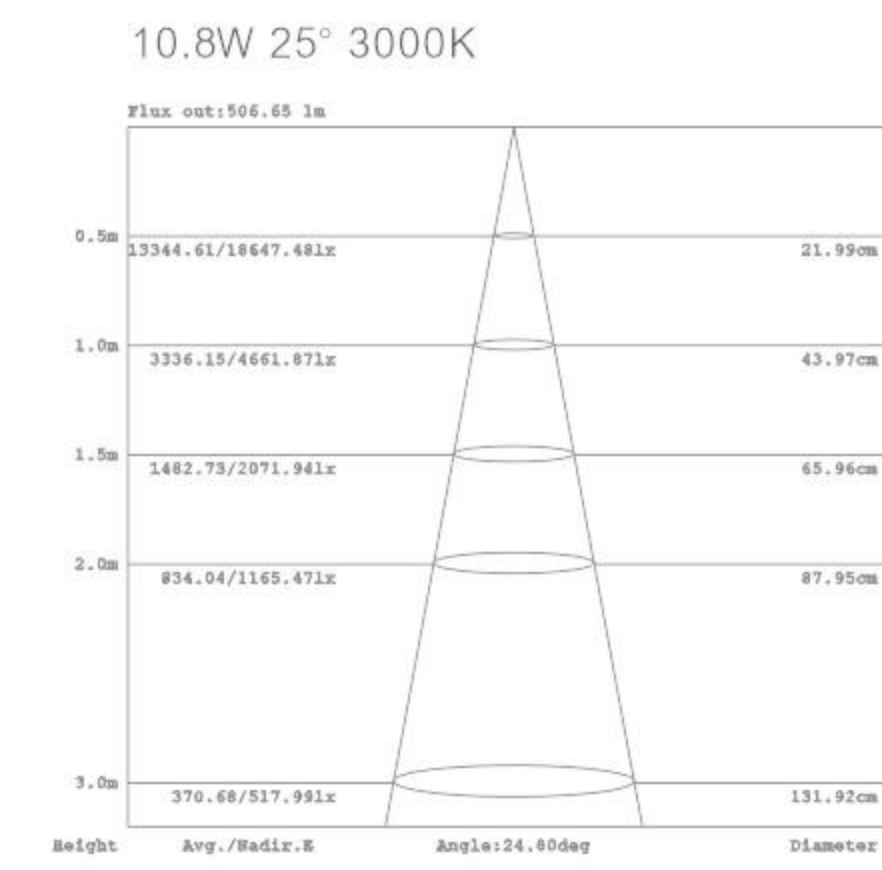
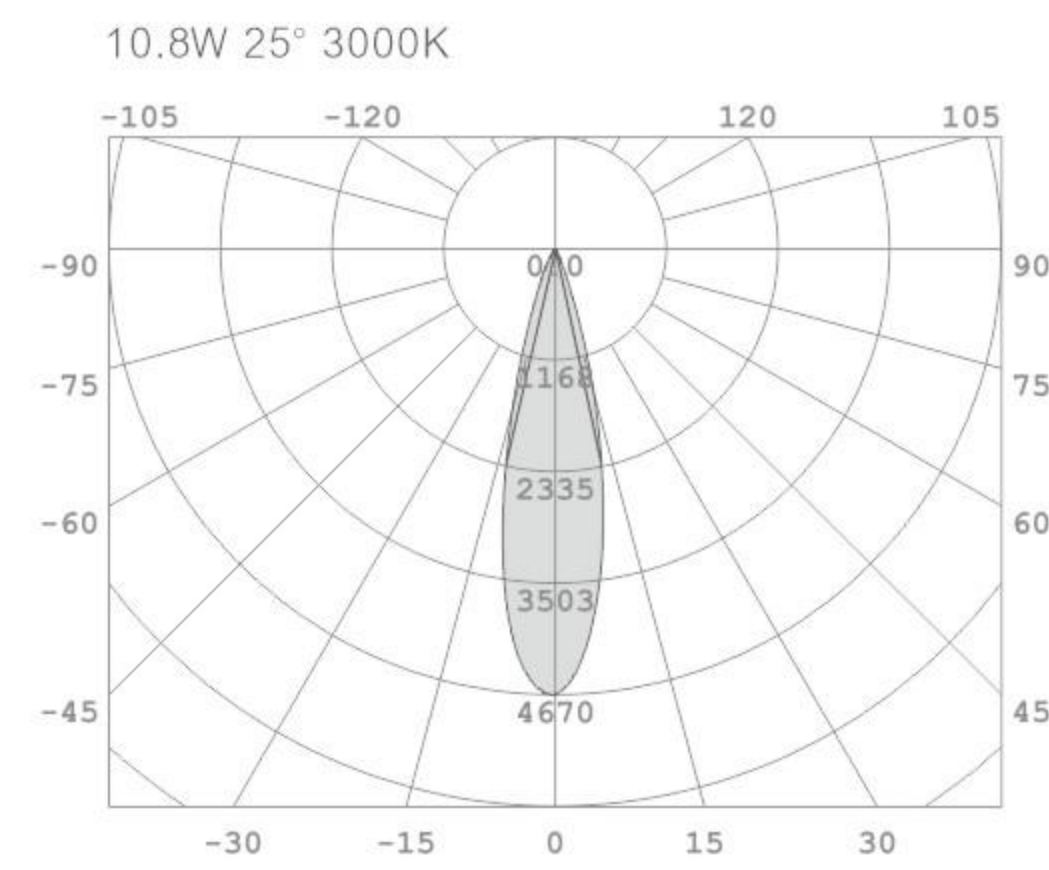
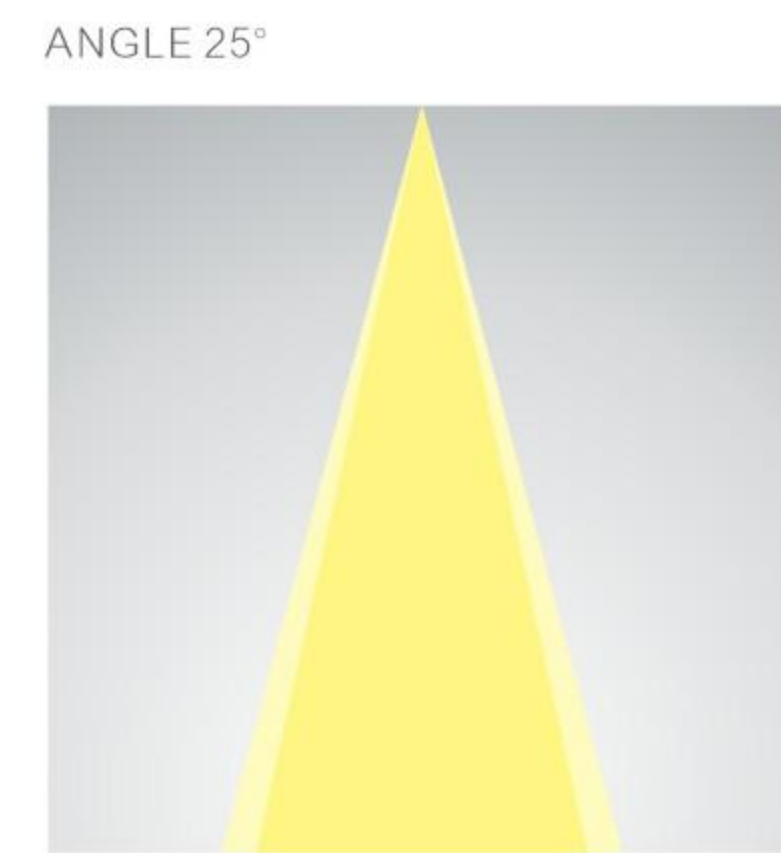
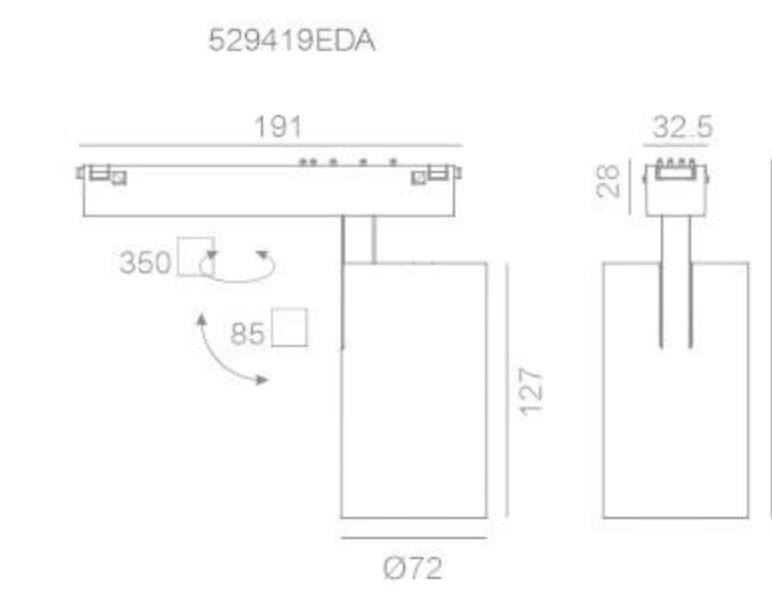
ORIAN KM S

LED POWER: 10.8W  
LED LUMEN: /  
LUMINAIRE LUMEN: 795LM/3000K  
INPUT: 48VDC  
CRI: 90  
DIMENSION: Ø45\*197\*191mm  
HOLE SIZE: /



ORIAN KM M

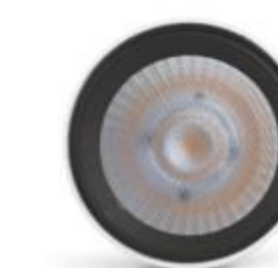
LED POWER: 18W  
LED LUMEN: /  
LUMINAIRE LUMEN: 1530LM/3000K  
INPUT: 48VDC  
CRI: 90  
DIMENSION: Ø72\*179\*191mm  
HOLE SIZE: /



THE STANDARD

HONEYCOMB

GRIDDING GLASS



THE STANDARD

HONEYCOMB

GRIDDING GLASS





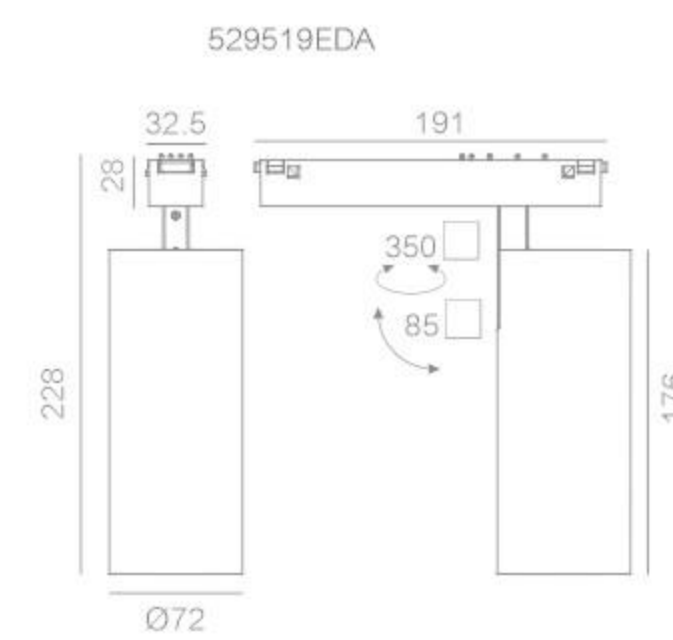
ORIAN KM L



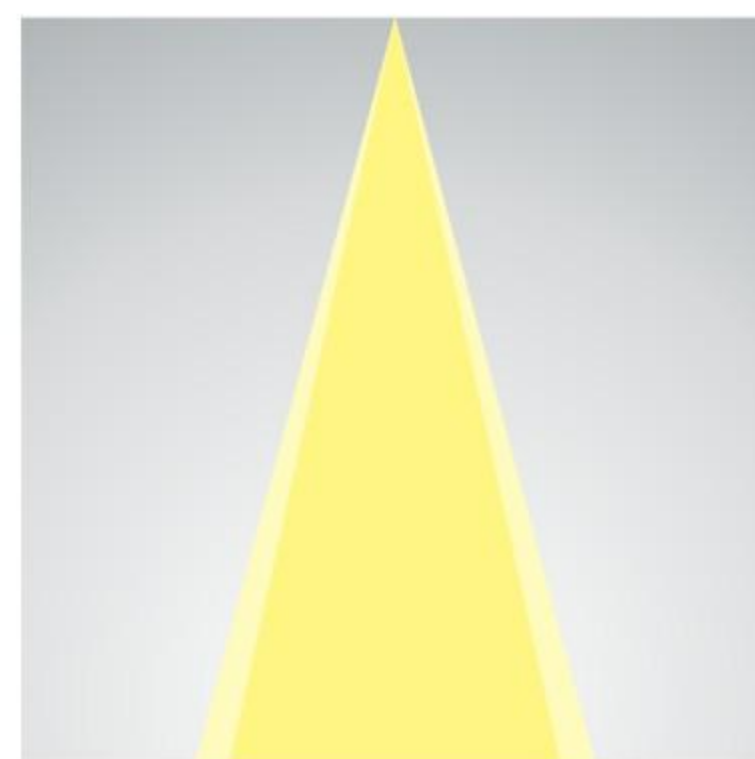
RING KM 12

ORIAN KM L

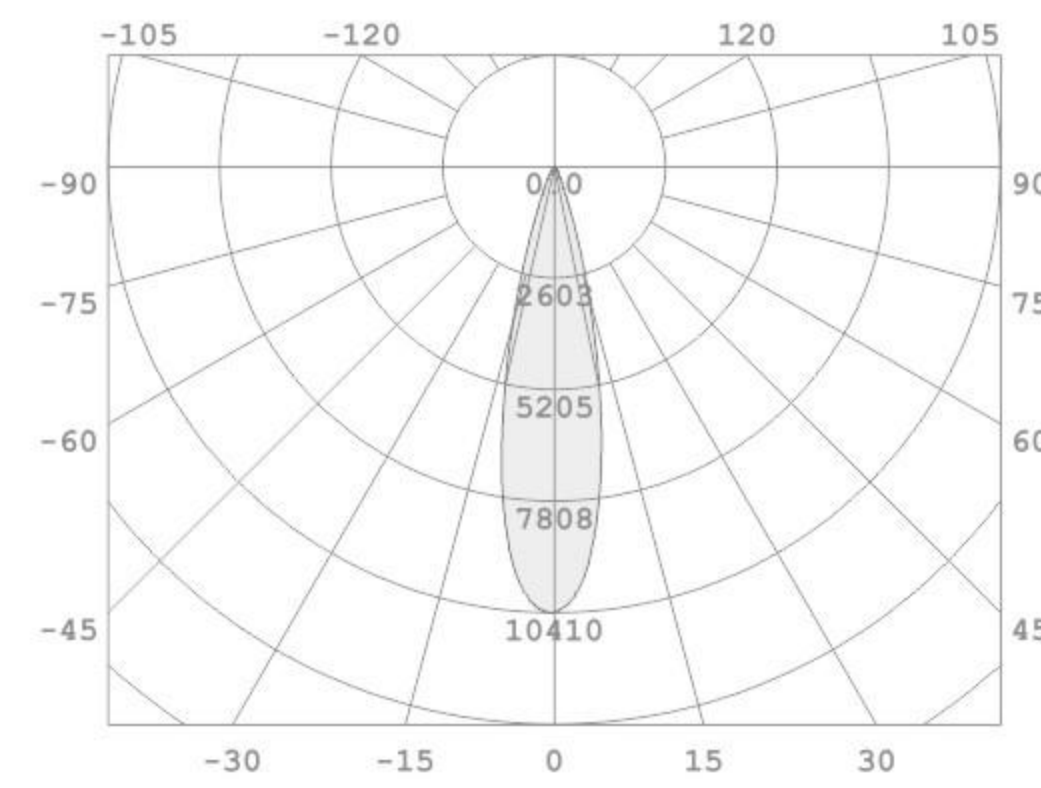
LED POWER: 25.2W  
LUMINAIRE LUMEN: 1940LM/3000K  
INPUT: 48VDC  
CRI: 90  
DIMENSION: Ø72\*228\*191mm  
HOLE SIZE: /



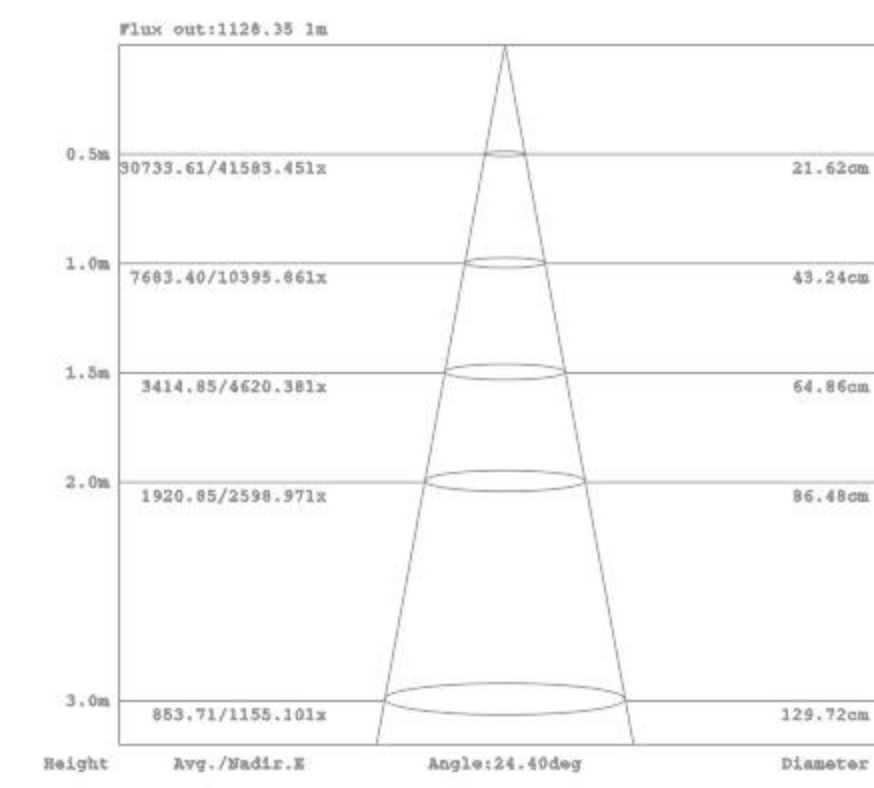
ANGLE 24°



25.2W 24° 3000K



25.2W 24° 3000K



THE STANDARD



HONEYCOMB

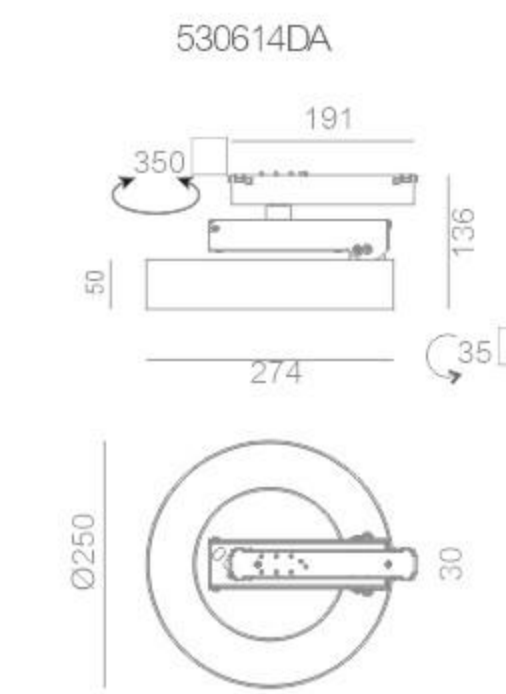


GRIDDING GLASS

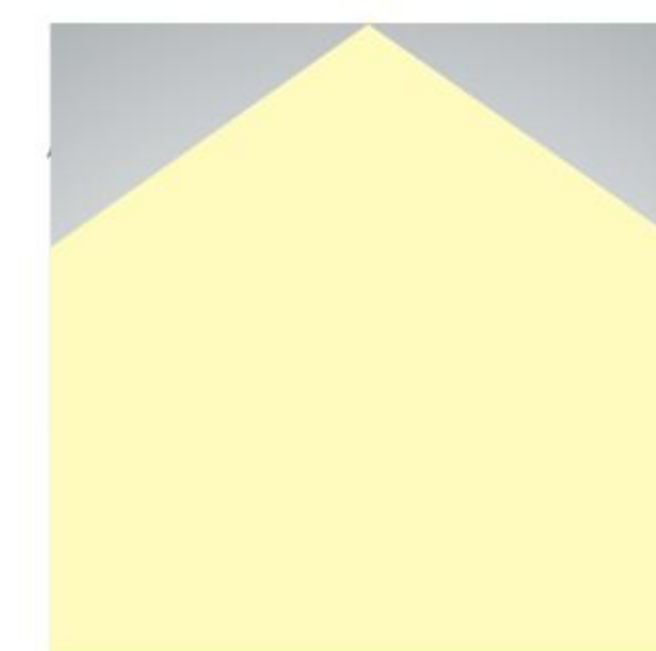


RING KM 12

LED POWER: 10.5W  
LED LUMEN: /  
LUMINAIRE LUMEN: 730LM/3000K  
INPUT: 48V DC  
CRI: 80  
DIMENSION: Ø250\*50\*136mm  
HOLE SIZE: /



ANGLE L







RING KM 24

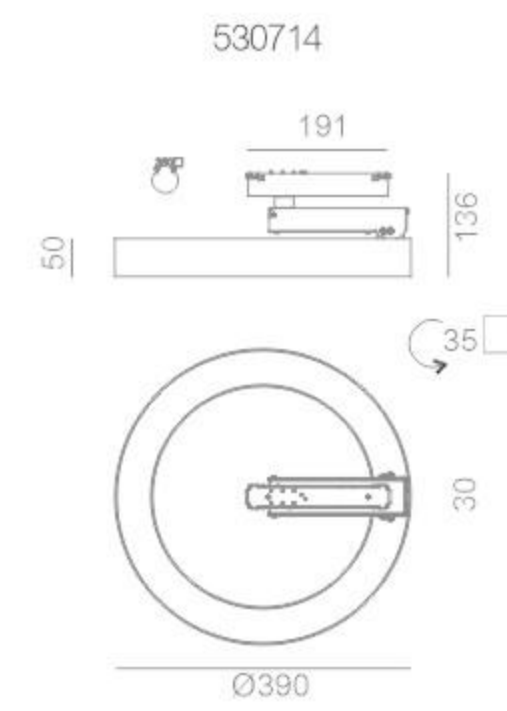


TURN KM S

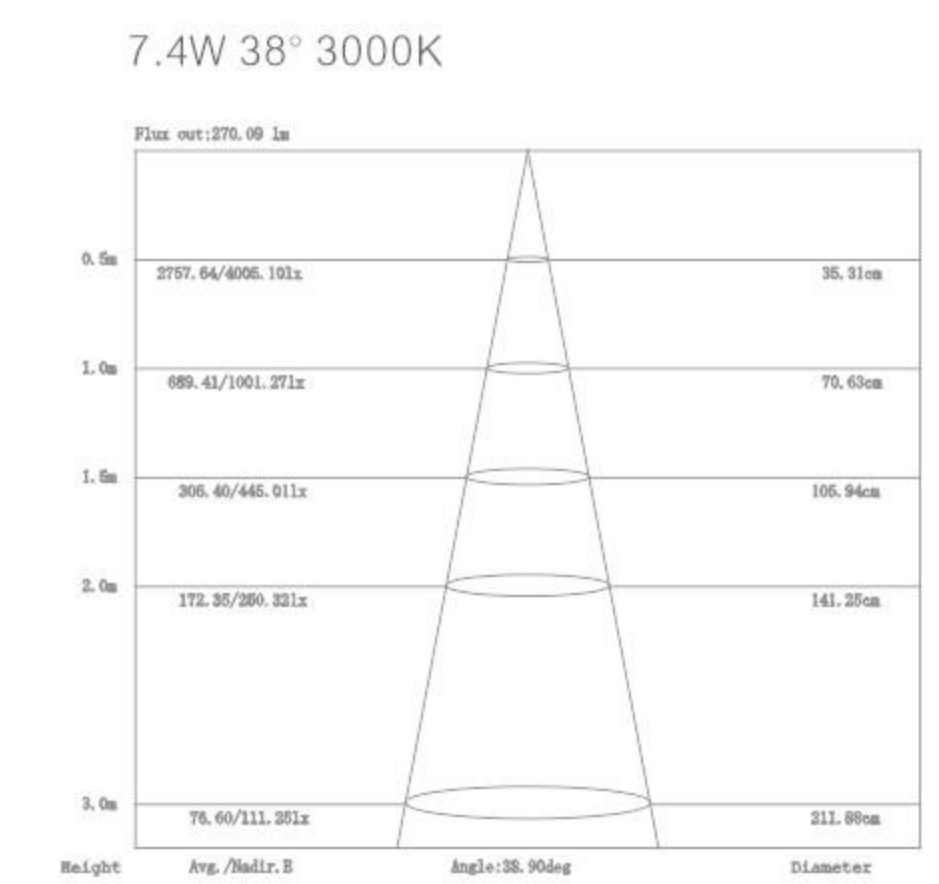
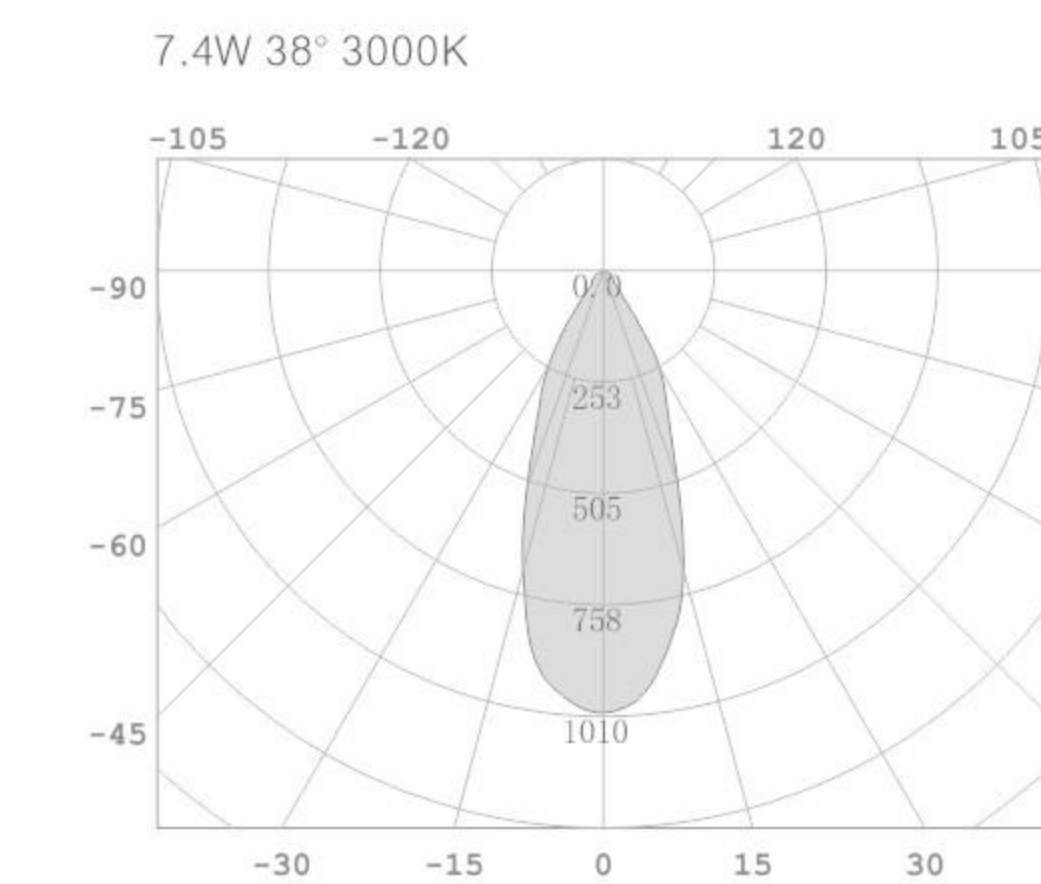
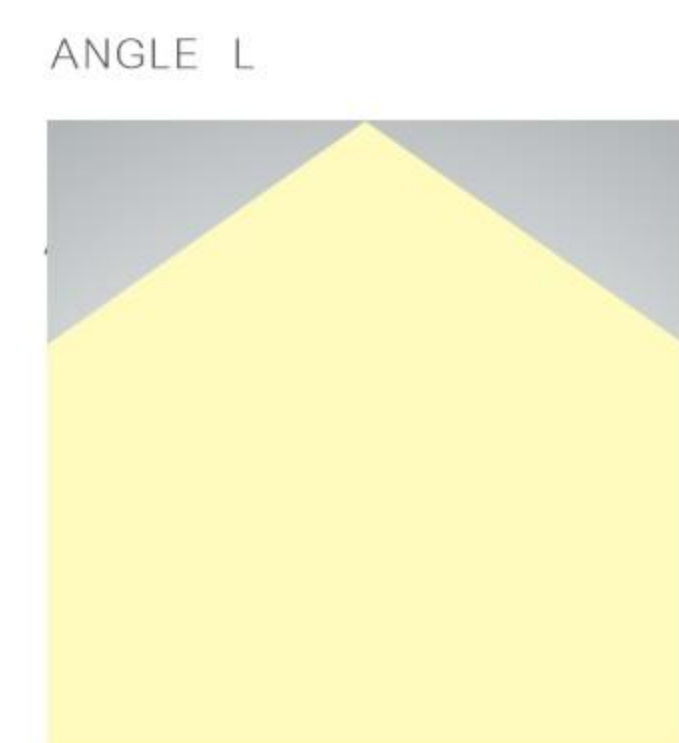


TURN KM S SQUARED

RING KM 24   
 LED POWER: 21W  
 LED LUMEN: /  
 LUMINAIRE LUMEN: 1460LM/3000K  
 INPUT: 48V DC  
 CRI: 80  
 DIMENSION: Ø390\*50mm  
 HOLE SIZE: /



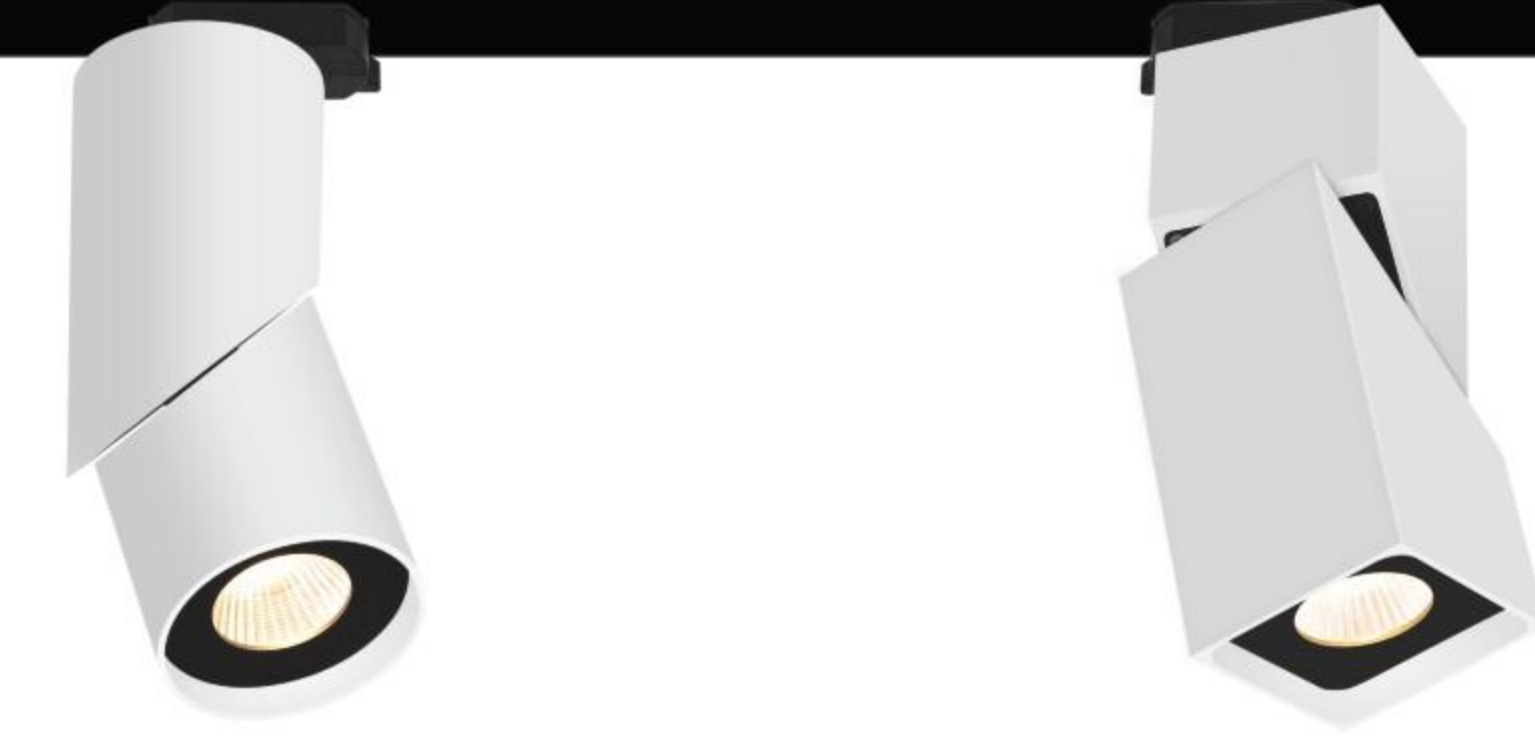
TURN KM S / KM S SQUARED   
 LED POWER: 7.4W  
 LED LUMEN: 946LM/3000K  
 LUMINAIRE LUMEN: 607LM  
 INPUT: 48VDC  
 CRI: 90  
 DIMENSION: Ø62\*161mm/57\*57\*161mm  
 HOLE SIZE: /





TURN KM M

TURN KM M SQUARED

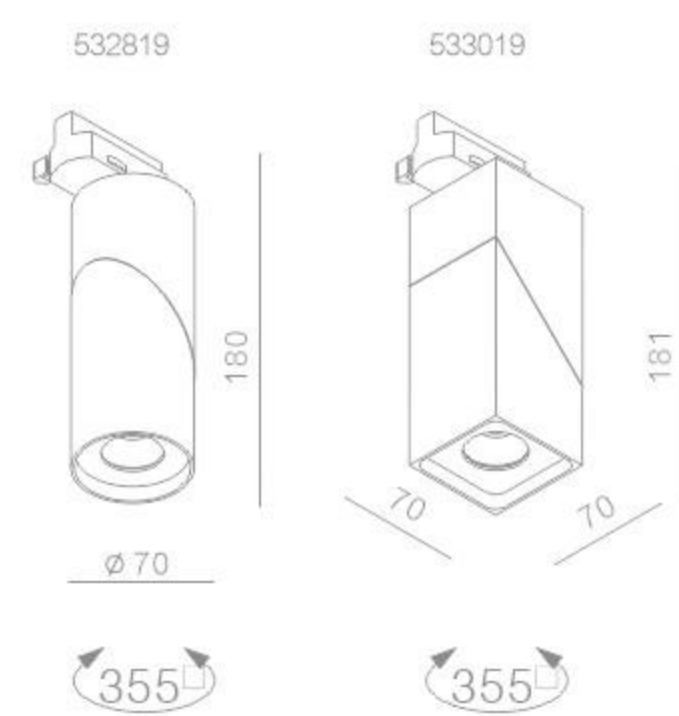


TURN KM L

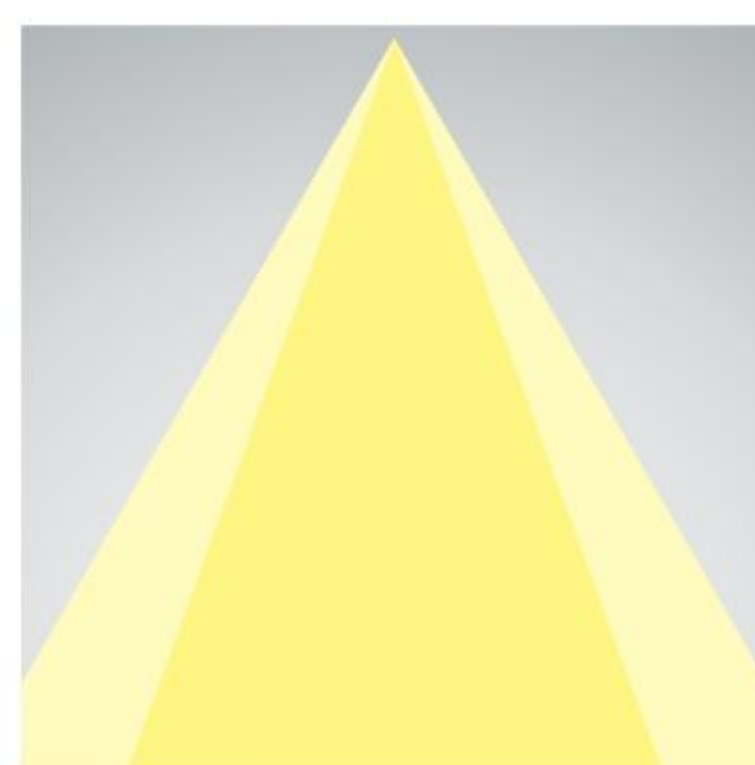
TURN KM L SQUARED

TURN KM M / KM M SQUARED

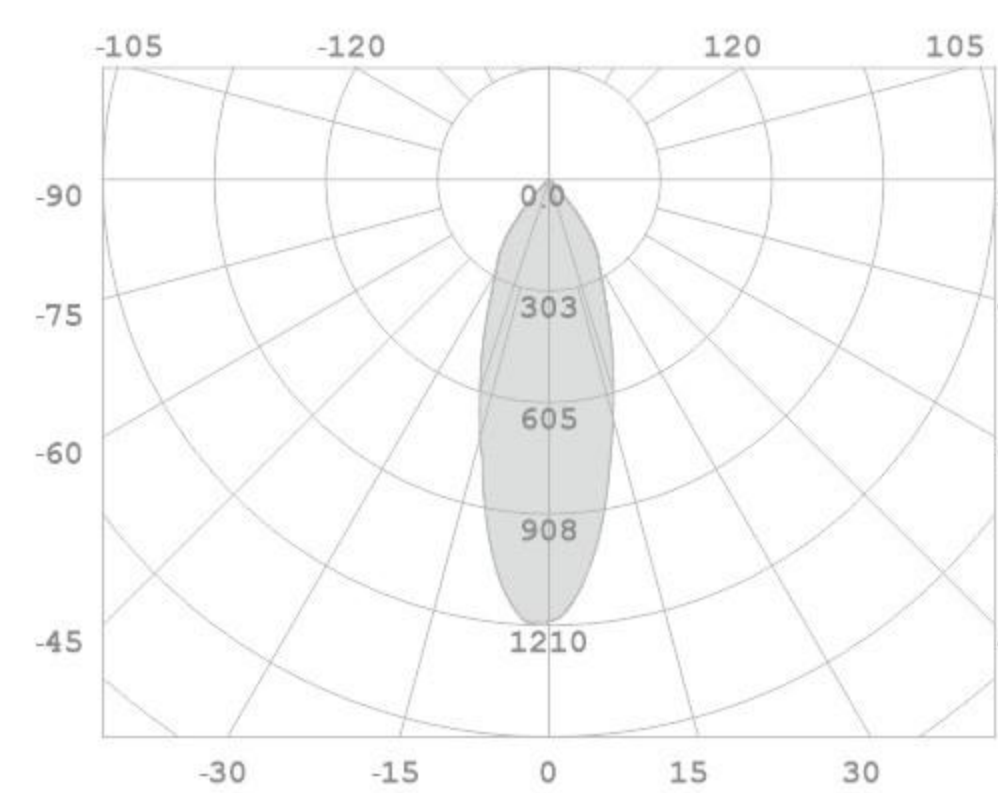
LED POWER: 9.2W  
 LED LUMEN: 1009LM/3000K  
 LUMINAIRE LUMEN: 652LM  
 INPUT: 48VDC  
 CRI: 90  
 DIMENSION: Ø70\*180mm/70\*70\*180.5mm  
 HOLE SIZE: /



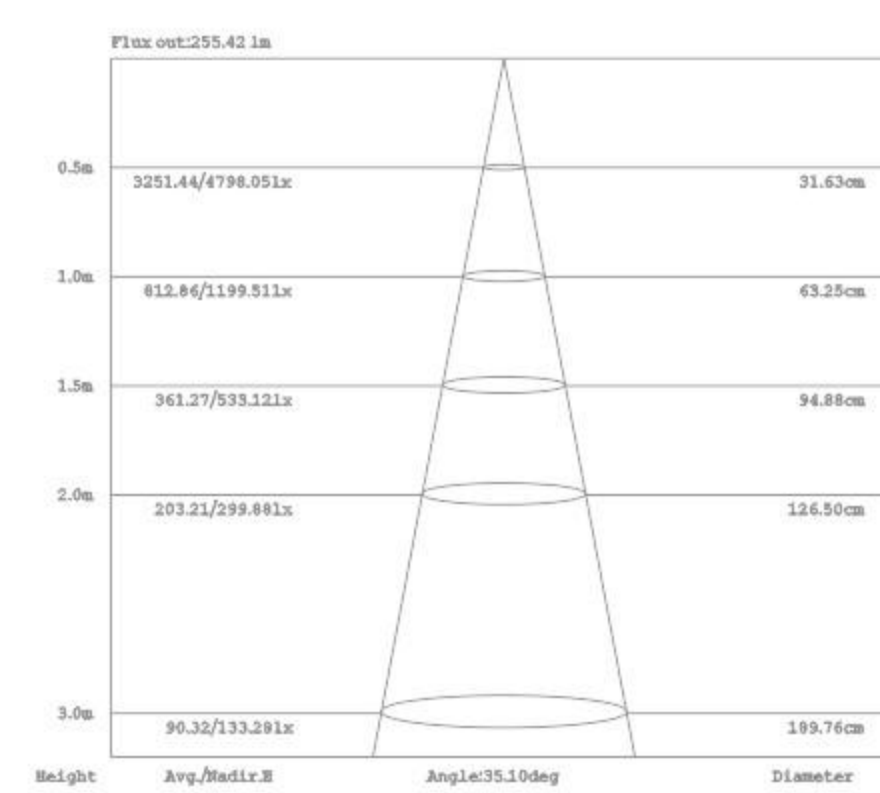
ANGLE 36°



9.2W 36° 3000K

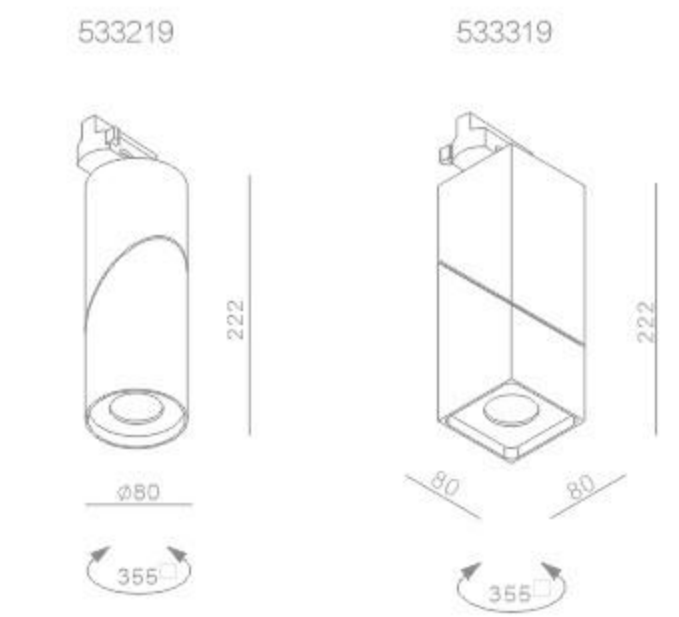


9.2W 36° 3000K

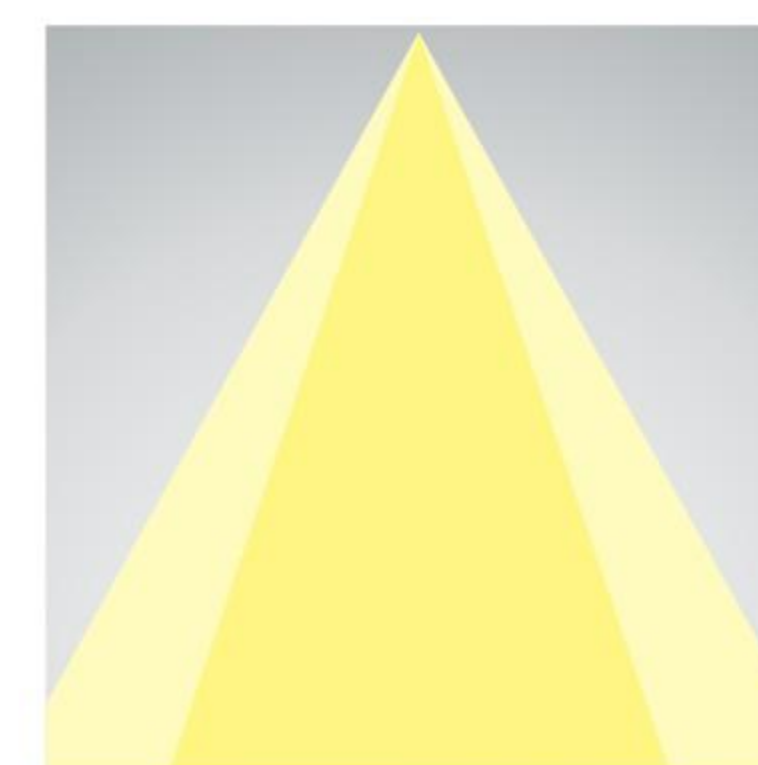


TURN KM L / KM L SQUARED

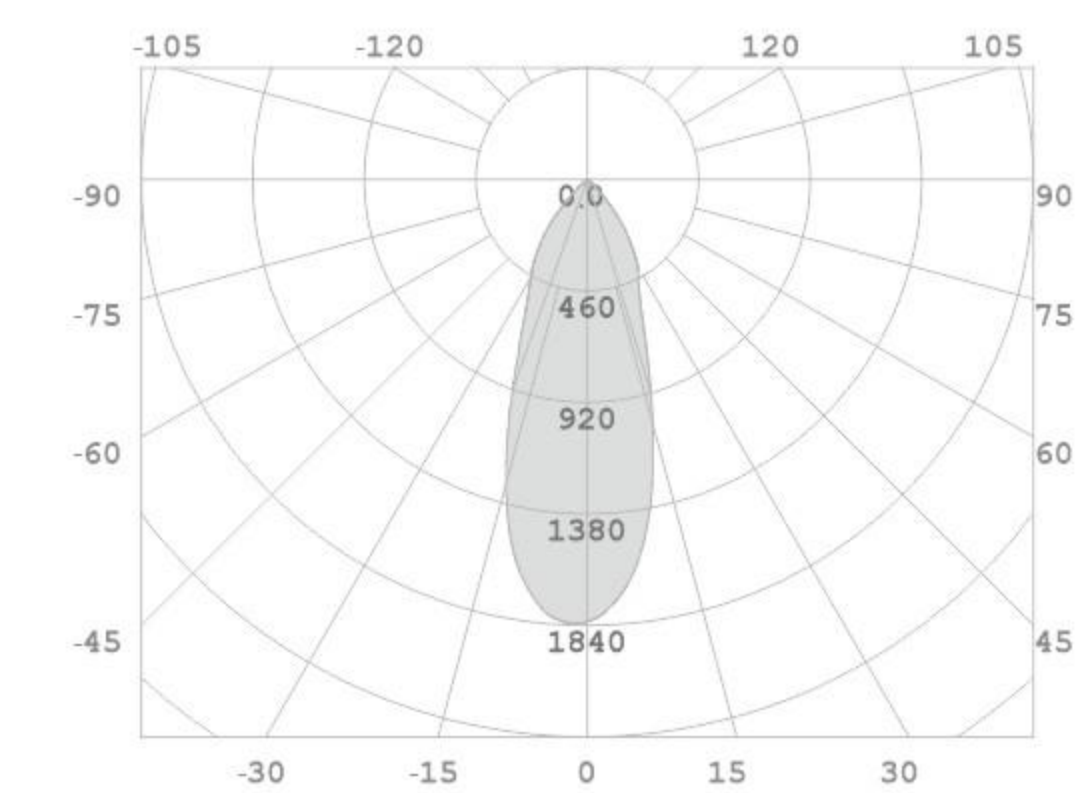
LED POWER: 15.54W  
 LED LUMEN: 1758LM/3000K  
 LUMINAIRE LUMEN: 1046LM  
 INPUT: 48VDC  
 CRI: 90  
 DIMENSION: Ø80\*222mm/80\*80\*222mm  
 HOLE SIZE: /



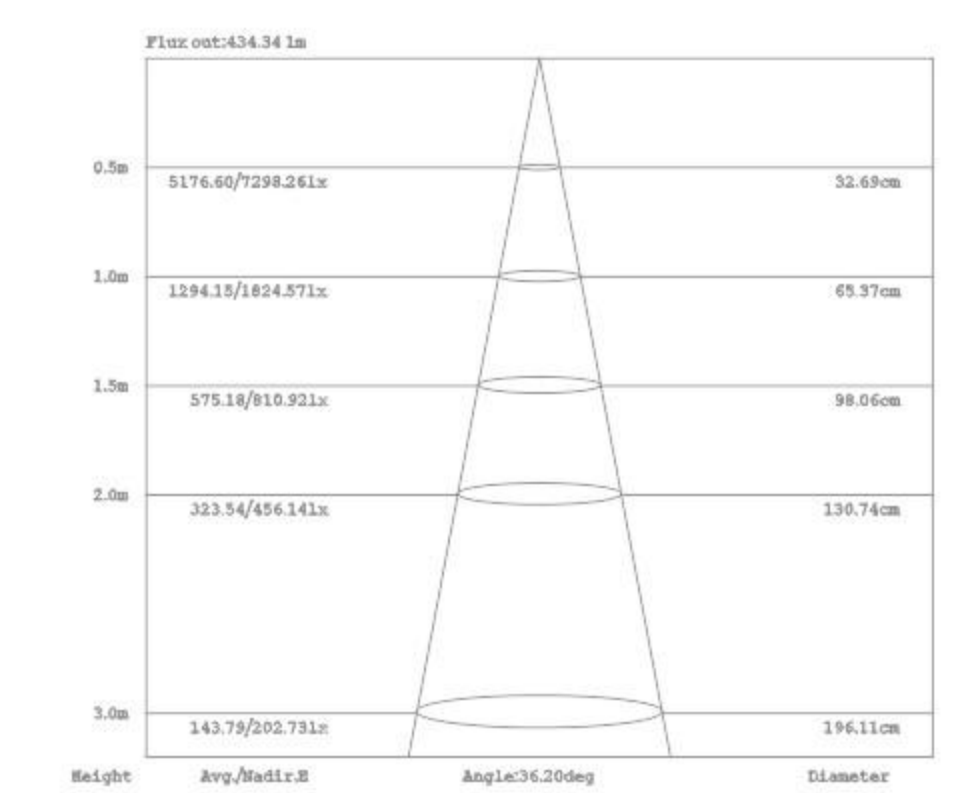
ANGLE 37°



15.54W 37° 3000K



15.54W 37° 3000K



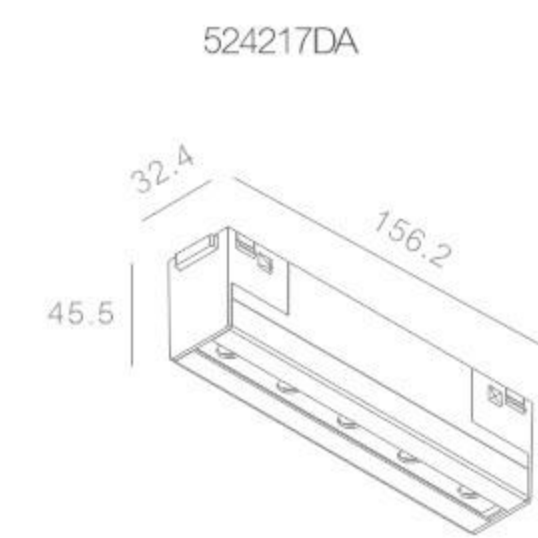


AHRI KM SPOT 5 48V

MOONLINE KM

AHRI KM SPOT 5 48V

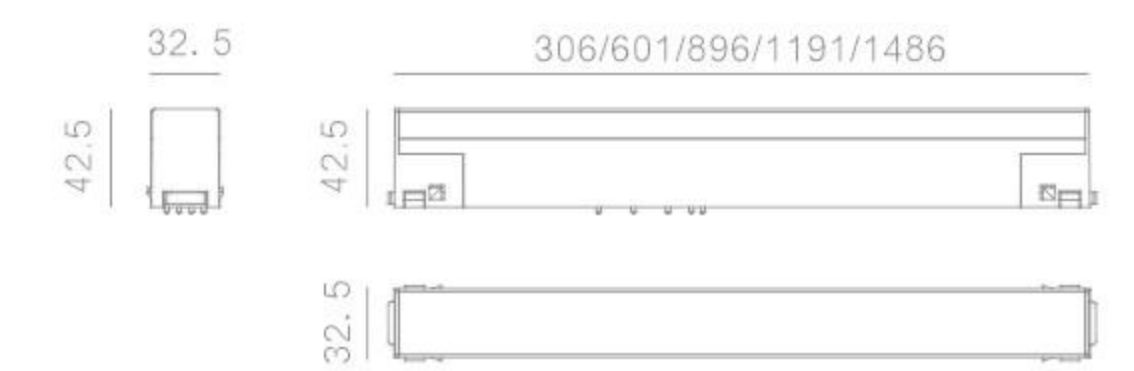
LED POWER: 11W  
 LED LUMEN: 179LM/3000K  
 LUMINAIRE LUMEN: 617LM  
 INPUT: 48V DC  
 CRI: 90  
 DIMENSION: 156\*32.5\*42.5mm  
 HOLE SIZE: /



MOONLINE KM 300 / 600 / 900 / 1200 / 1500

CRI: 90  
 INPUT: 48V DC

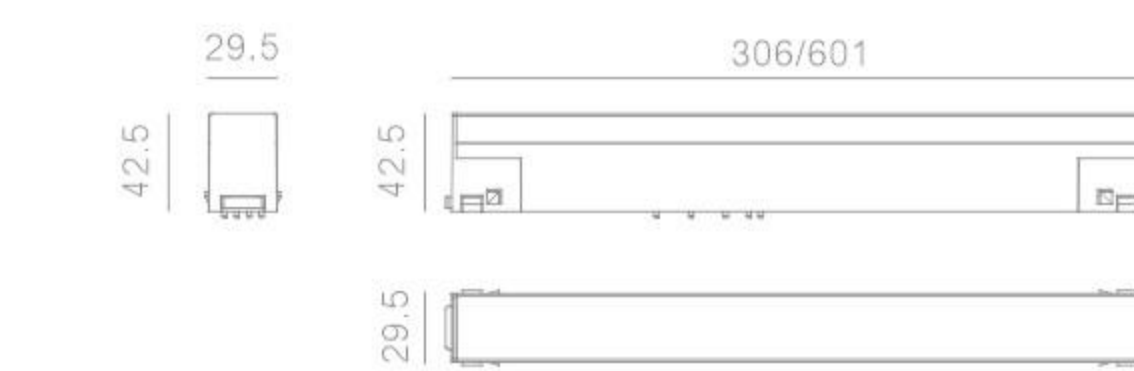
HIGH LUMEN	POWER	SIZE	LUMINAIRE LUMEN
523714DA	24W	306*42.5*32.5	1235LM/3000K
523814DA	48W	601*42.5*32.5	2470LM/3000K
523914DA	72W	896*42.5*32.5	3705LM/3000K
524014DA	96W	1191*42.5*32.5	4940LM/3000K
524114DA	120W	1486*42.5*32.5	6175LM/3000K



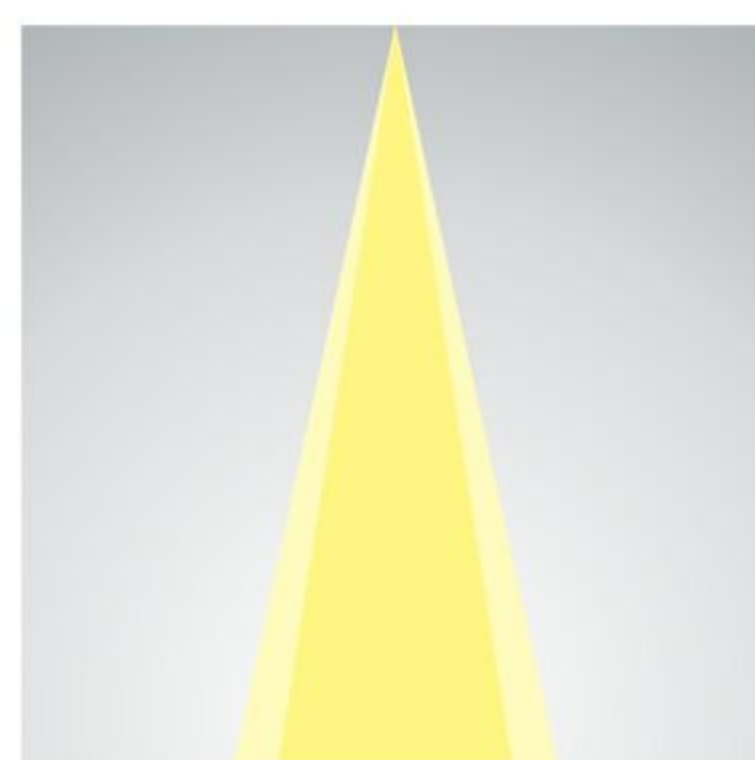
MOONLINE KM 300 / 600

CRI: 80  
 INPUT: 48V DC

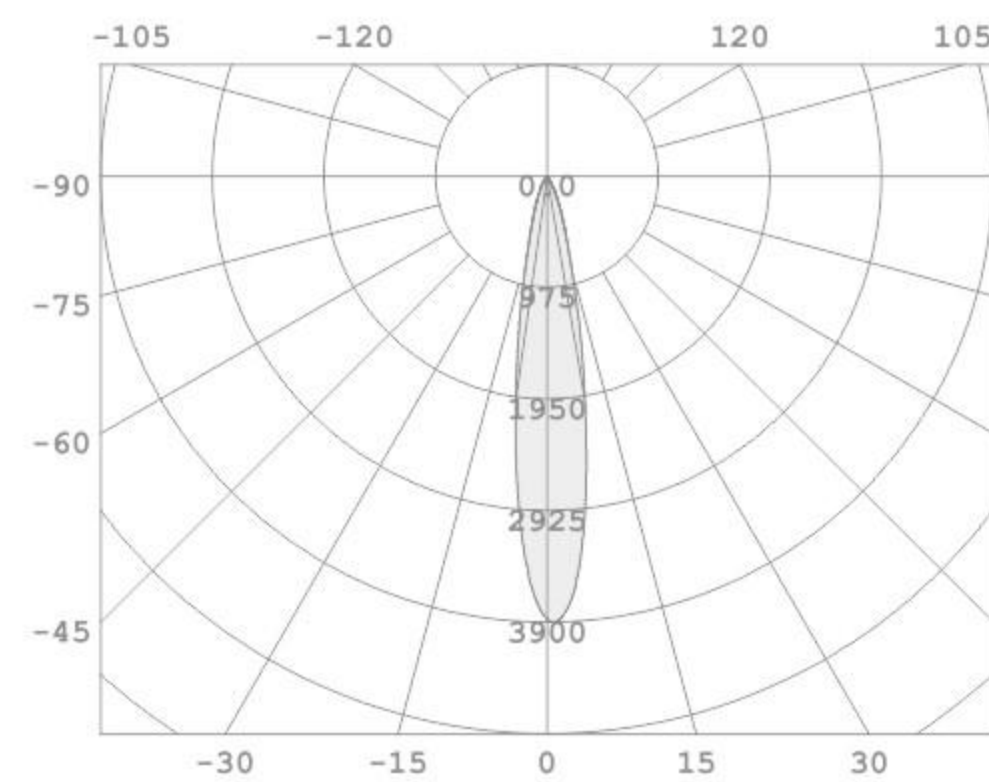
HIGH LUMEN	POWER	SIZE	LUMINAIRE LUMEN
527314DA2	20W	306.2*29.5*42.5	1199LM/2700-5700K
527414DA2	38.9W	601.2*29.5*42.5	2605LM/2700-6000K



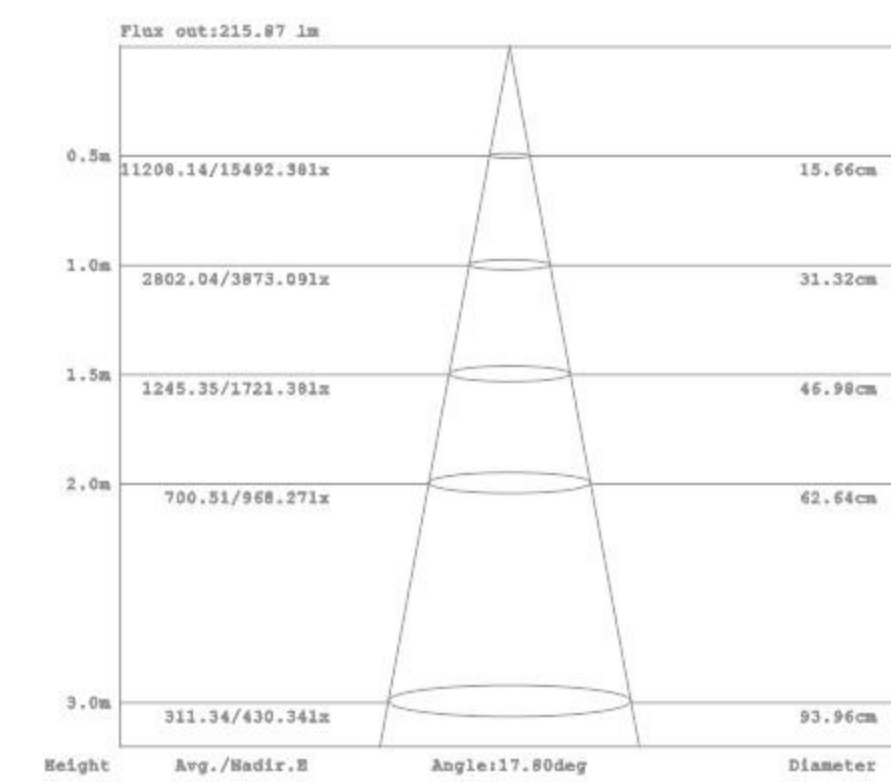
ANGLE 20



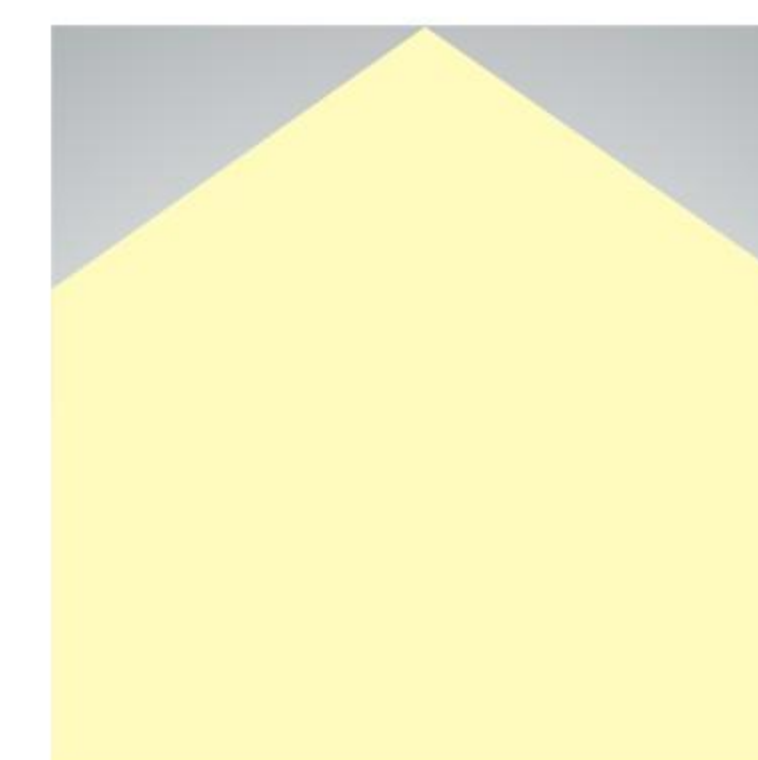
11W 20 3000K



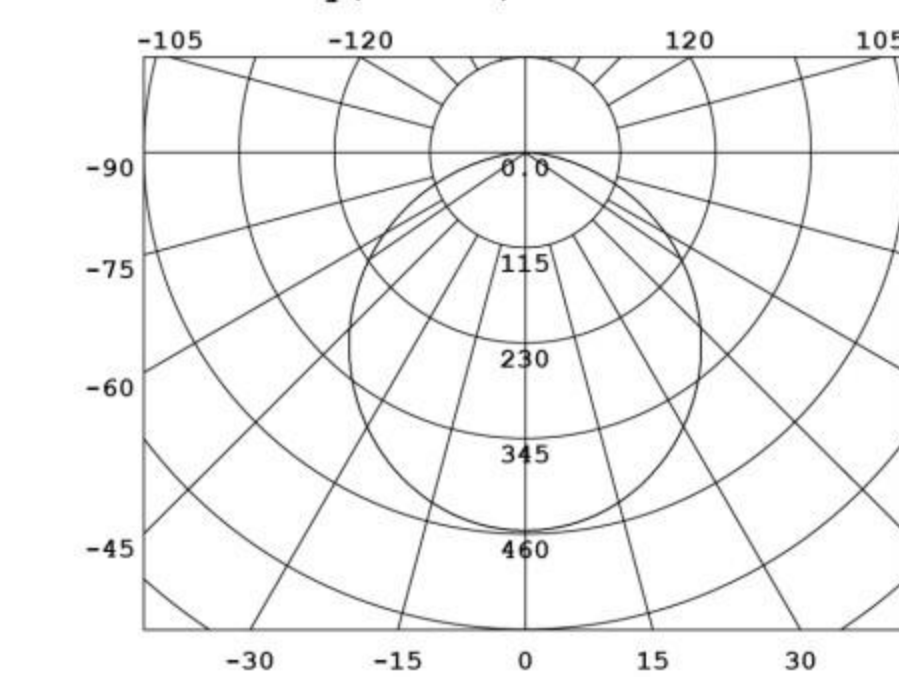
11W 20 3000K



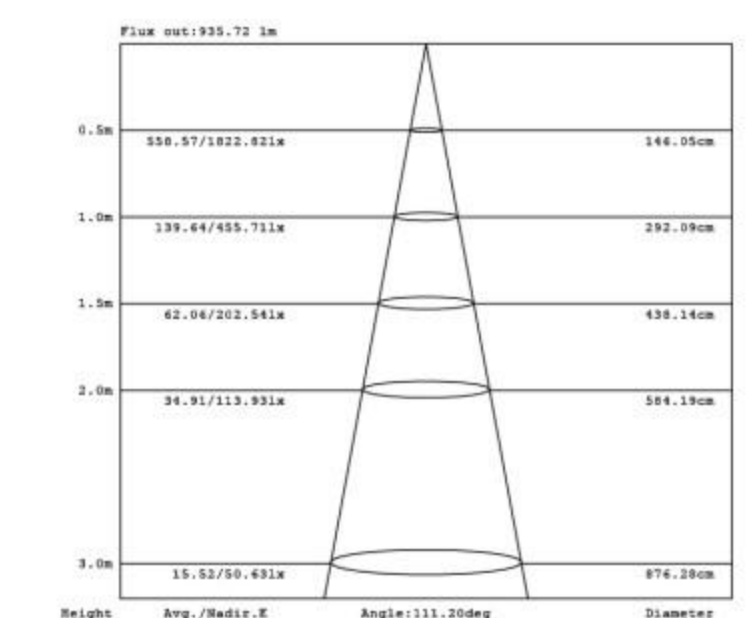
ANGLE L

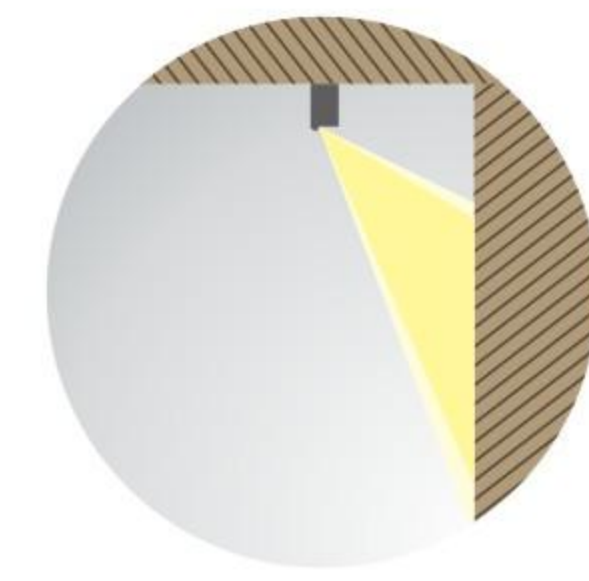


Intensity (unit: cd)



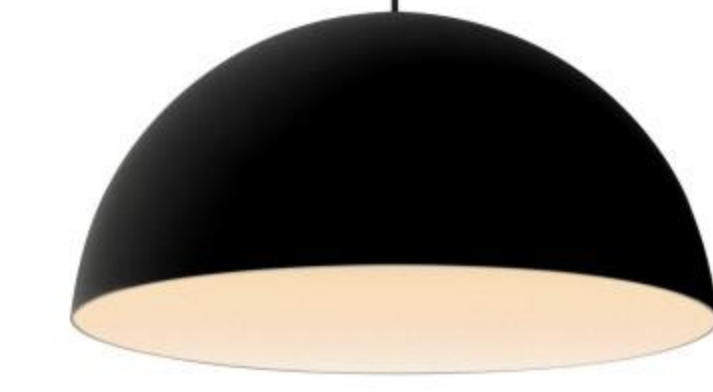
Average Illuminance Figure





SLIK KM P

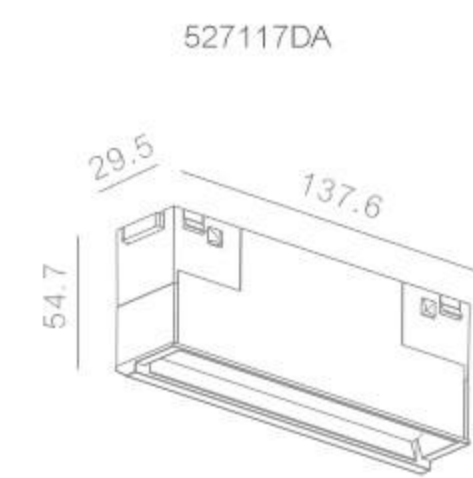
ANGLE P




ELISA KM 300

SLIK KM P 

LED POWER: 10W  
LED LUMEN: /  
LUMINAIRE LUMEN: 349LM/3000K  
INPUT: 48V DC  
CRI: 90  
DIMENSION: 137.6\*29.5\*54.7mm  
HOLE SIZE: /



ELISA KM 300 

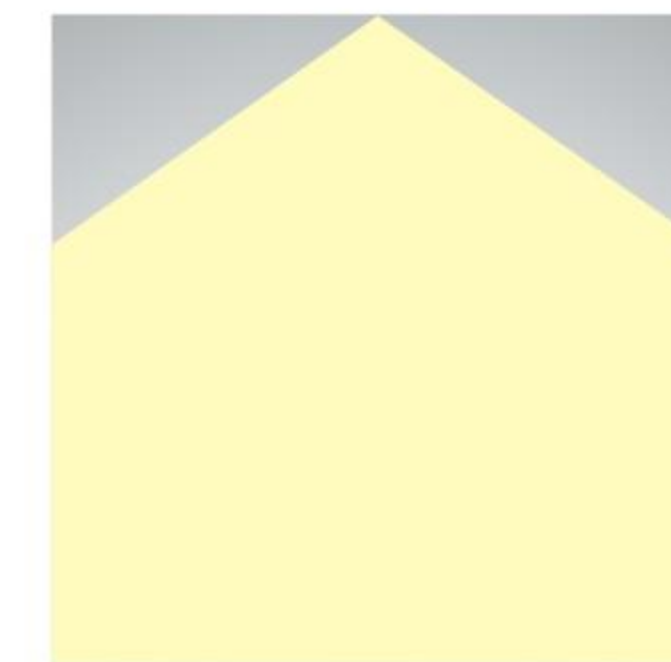
LED POWER: 14.7W  
LED LUMEN: /  
LUMINAIRE LUMEN: 1015LM/3000K  
INPUT: 48V DC  
CRI: 90  
DIMENSION: Ø300\*150mm  
HOLE SIZE: /



ANGLE P



ANGLE L





213

ELISA KM 400

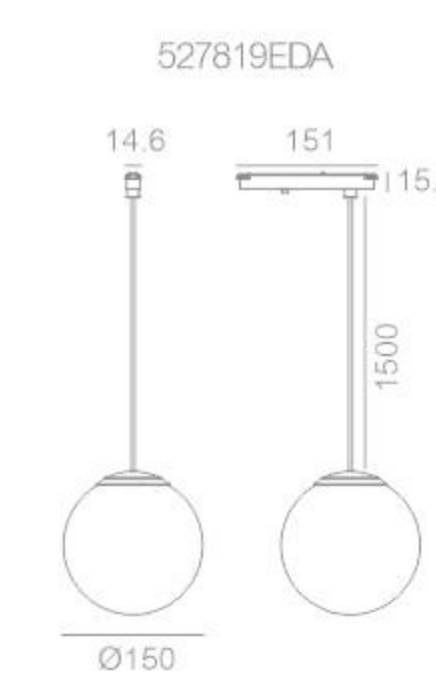
214

FAIRY KM G4

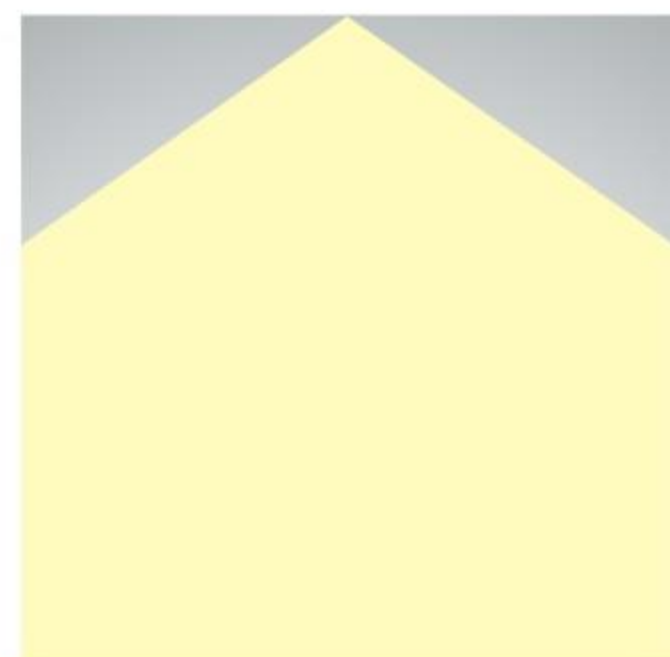
ELISA KM 400   
 LED POWER: 25.34W  
 LED LUMEN: /  
 LUMINAIRE LUMEN: 2116LM/3000K  
 INPUT: 48V DC  
 CRI: 90  
 DIMENSION: Ø400\*200mm  
 HOLE SIZE: /



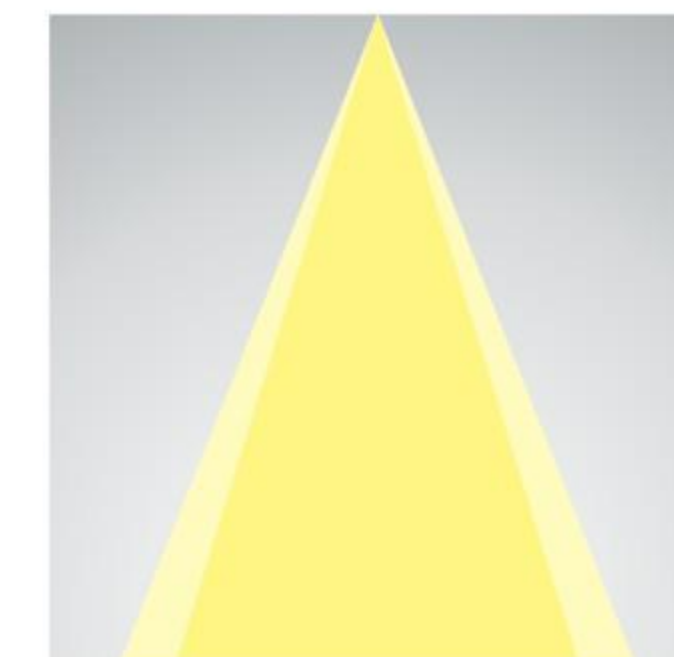
FAIRY KM G4   
 LED POWER: 4.6W  
 LED LUMEN: 549LM/3000K  
 LUMINAIRE LUMEN: 326LM/3000K  
 INPUT: 48V DC  
 CRI: 90  
 DIMENSION: Ø150mm  
 HOLE SIZE: /



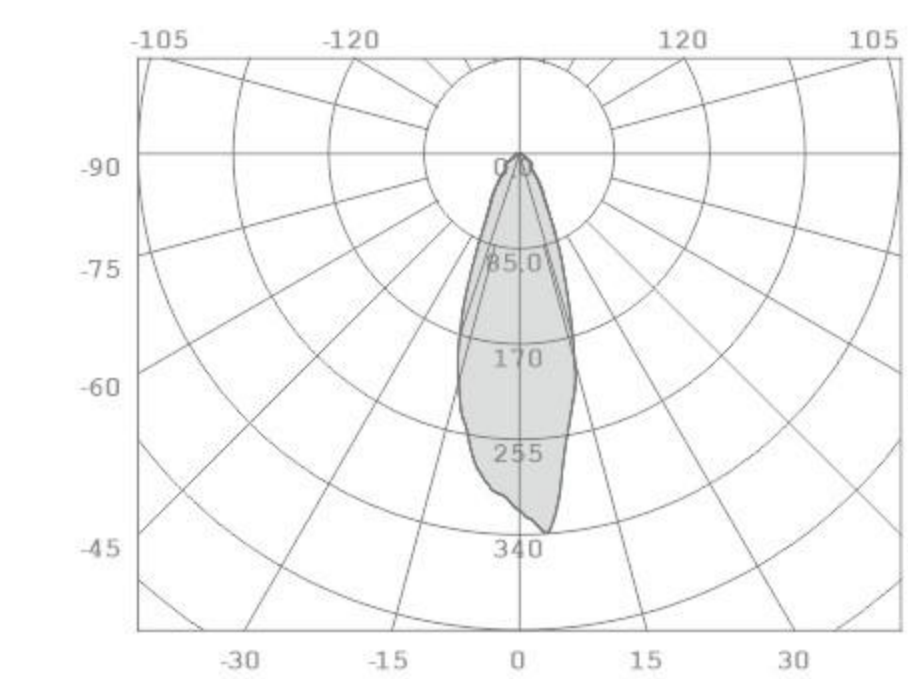
ANGLE L



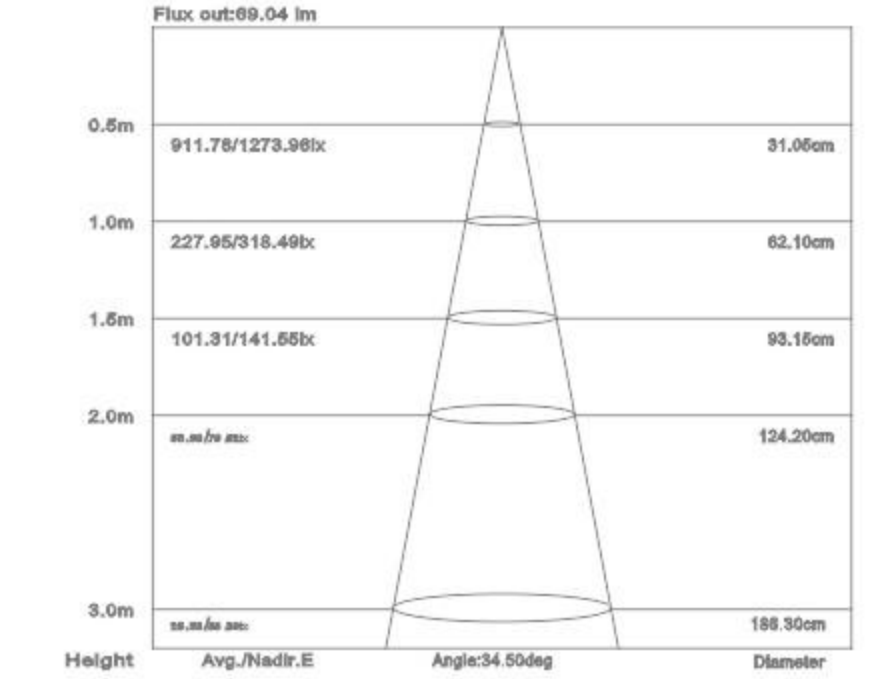
ANGLE 36°

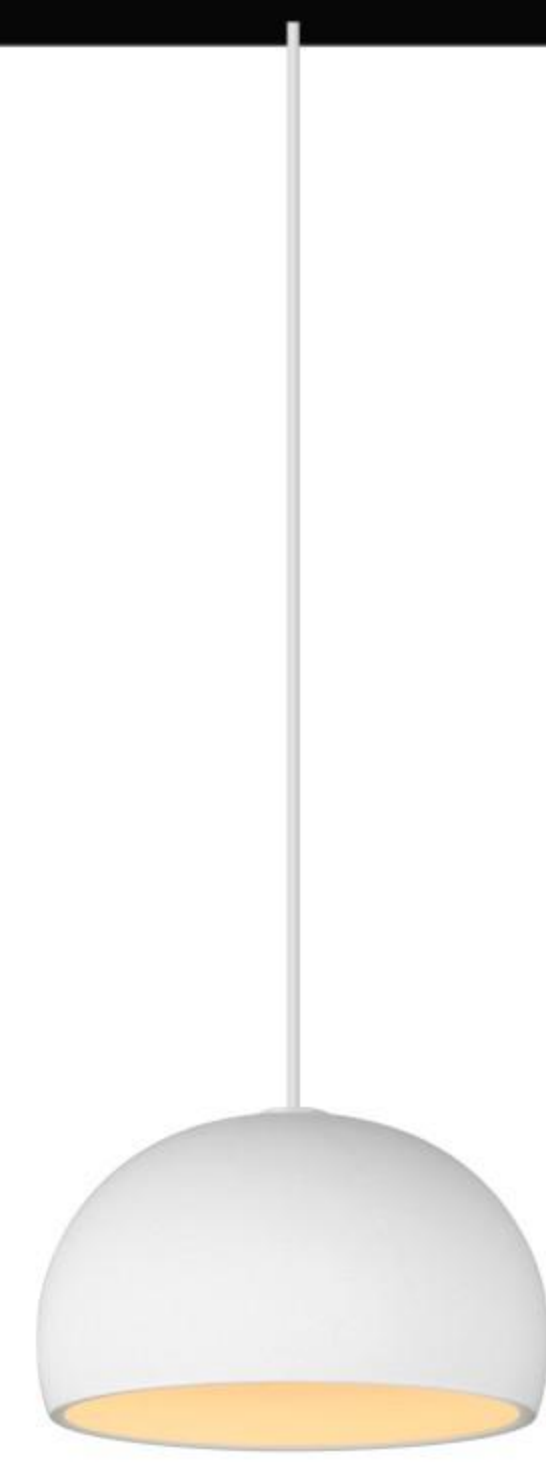


4.6W 36° 3000K



4.6W 36° 3000K

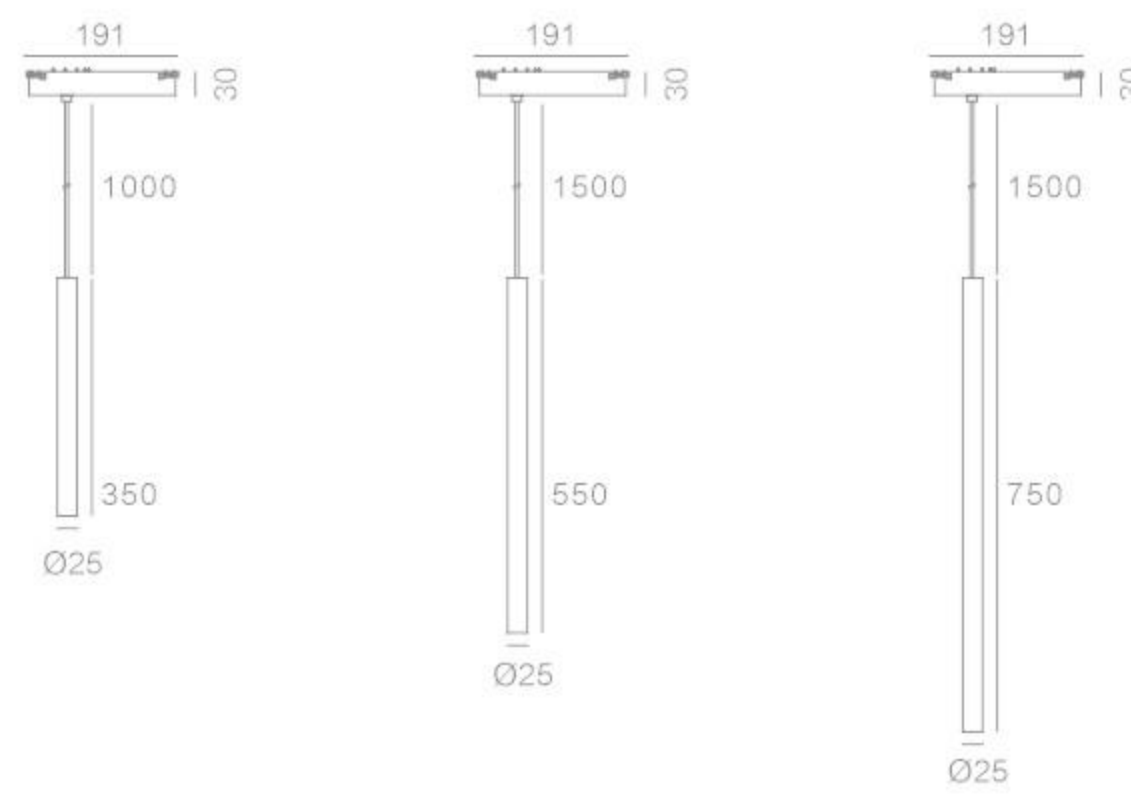




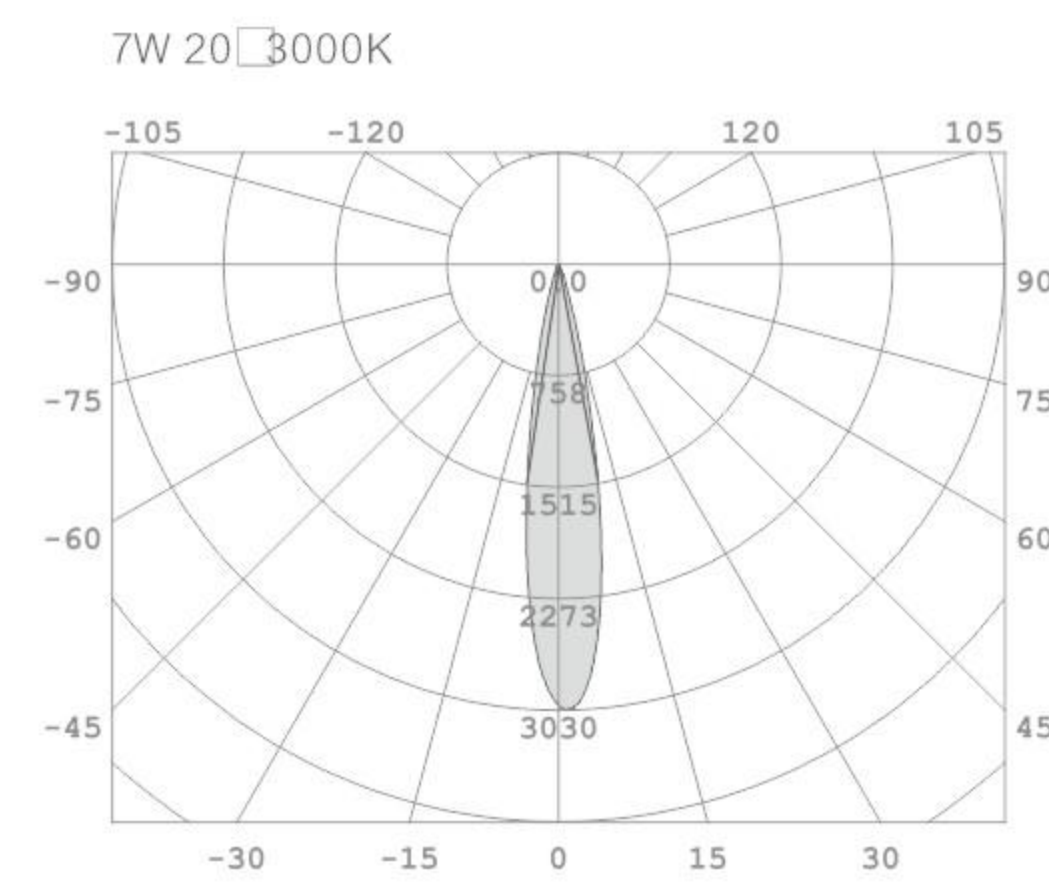
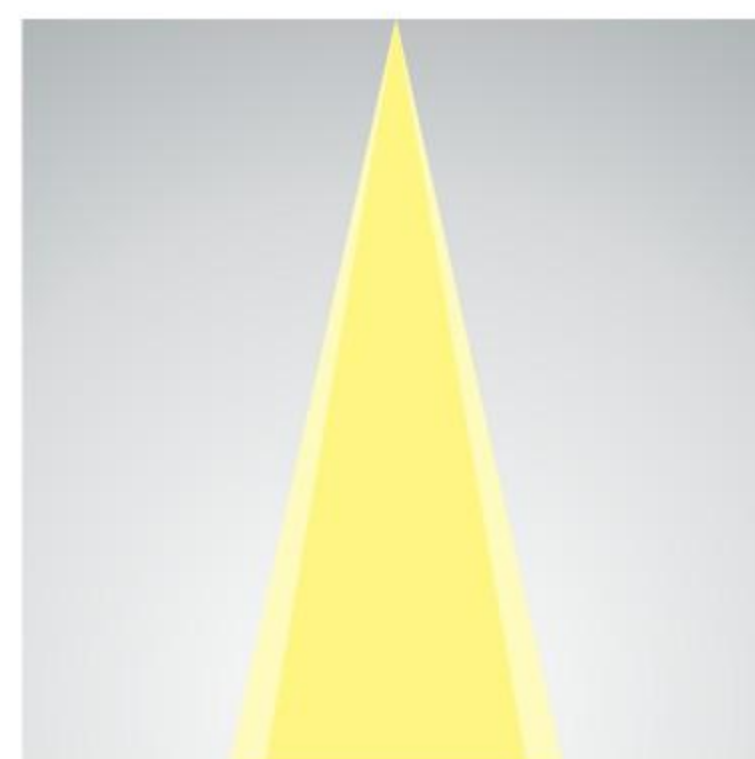
FORMULIA KM

FORMULIA KM 350/550/750

LED POWER: 6W  
 LED LUMEN: 660LM/3000K  
 LUMINAIRE LUMEN: 446LM/3000K  
 INPUT: 48V DC  
 CRI: 90  
 DIMENSION: Ø25\*350mm  
 Ø25\*550mm  
 Ø25\*750mm  
 HOLE SIZE: /



ANGLE 19°



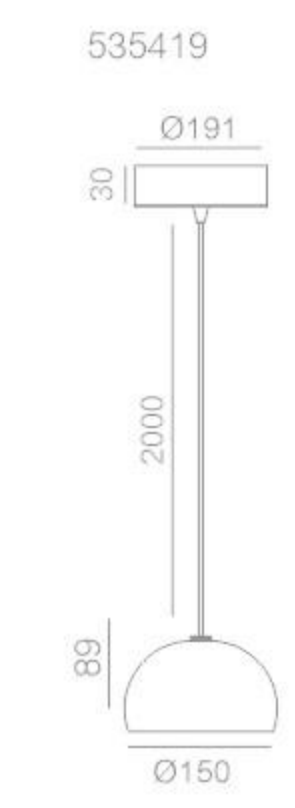
7W 19° 3000K

Height	Ang./Rad. (°)	Angle (19.000deg)	Diameter
0.5m	896.97/1569.82lx		16.25m
1.0m	224.64/2997.48lx		32.50m
1.5m	99.51/1333.20lx		48.75m
2.0m	56.16/749.36lx		65.00m
3.0m	24.43/333.05lx		97.50m

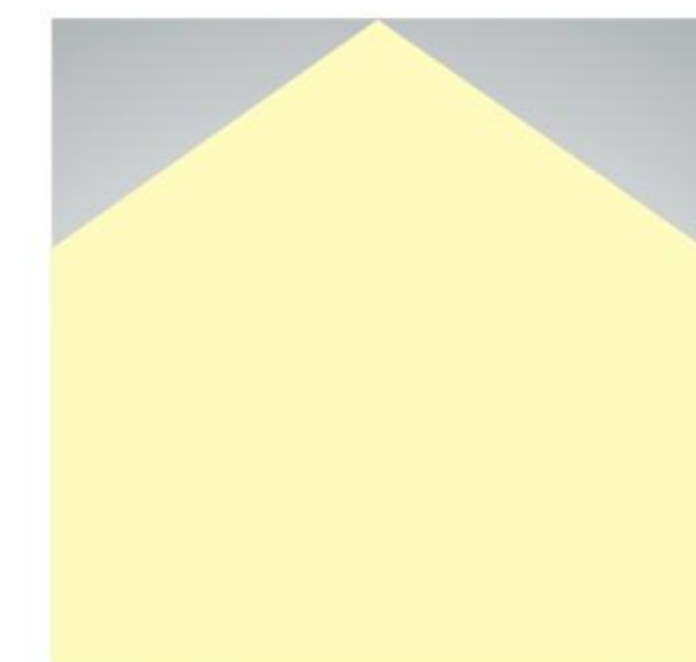
GISSO KM S RO

GISSO KM S RO

LED POWER: 5W  
 LED LUMEN: 511LM/3000K  
 LUMINAIRE LUMEN: 272LM/3000K  
 INPUT: 48V DC  
 CRI: 90  
 DIMENSION: Ø150\*89mm  
 HOLE SIZE: /

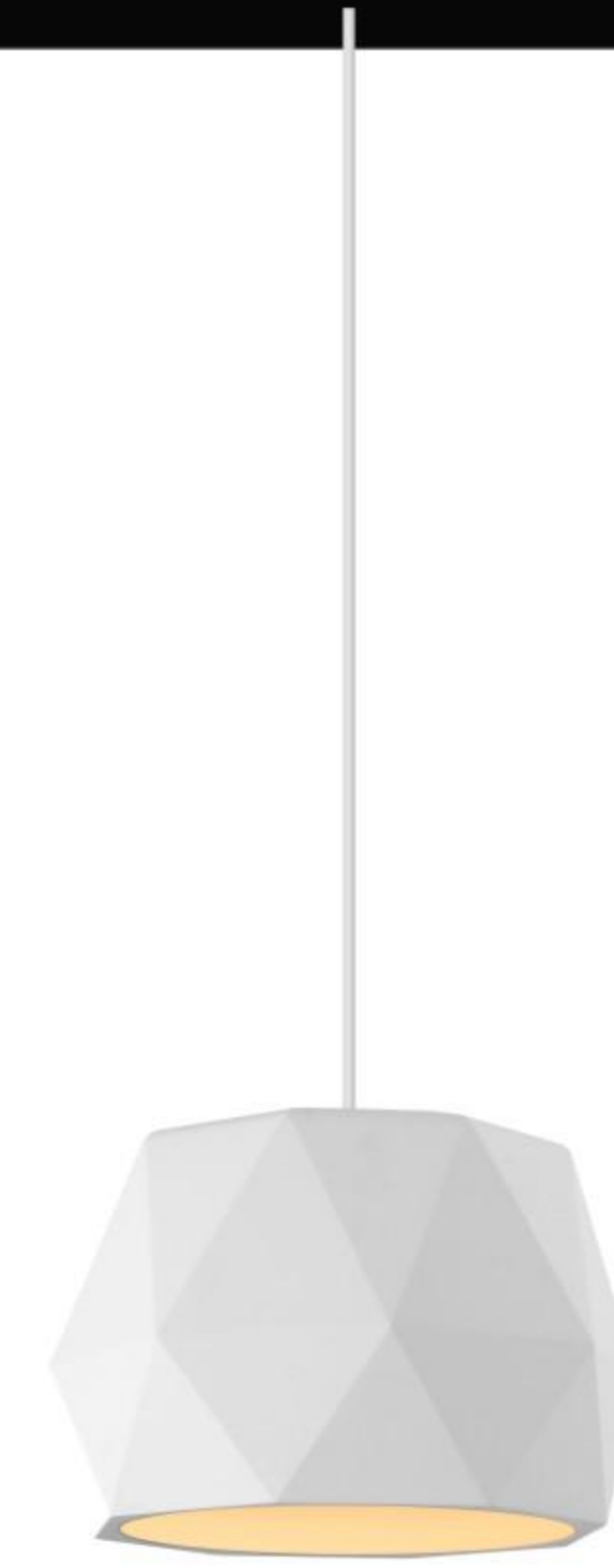


ANGLE L





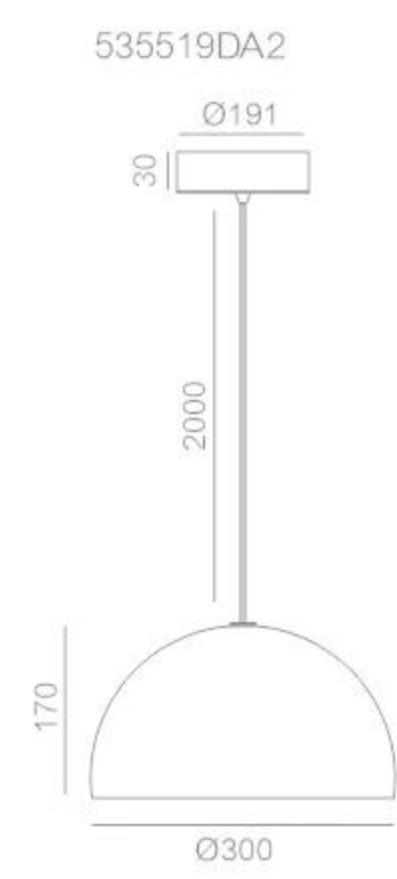
GESO KM M RO



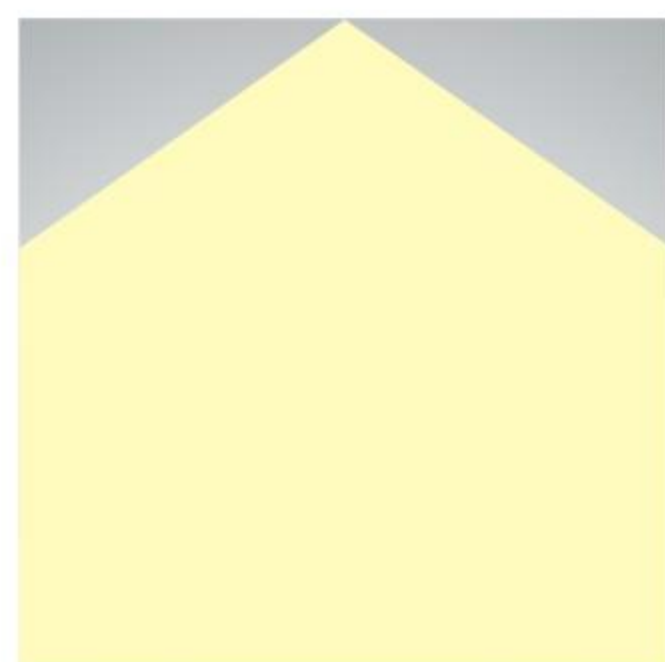
GESO KM CRYSTAL

GESO KM M RO 

LED POWER: 15,3W  
 LED LUMEN: /  
 LUMINAIRE LUMEN: 870LM/3000K  
 INPUT: 48V DC  
 CRI: 90  
 DIMENSION: Ø300\*170mm  
 HOLE SIZE: /

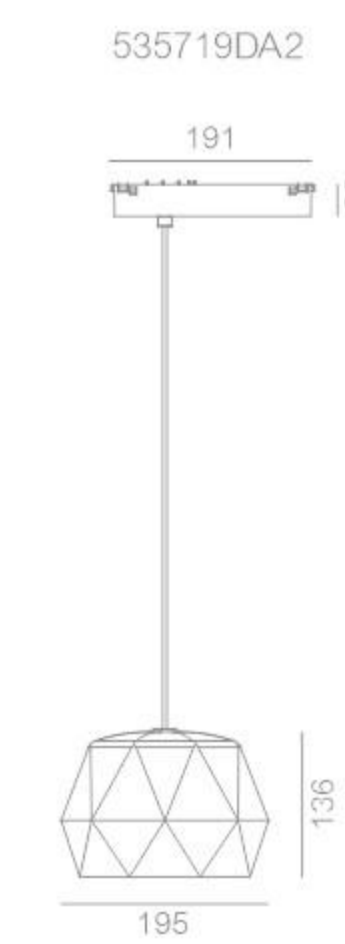


ANGLE L

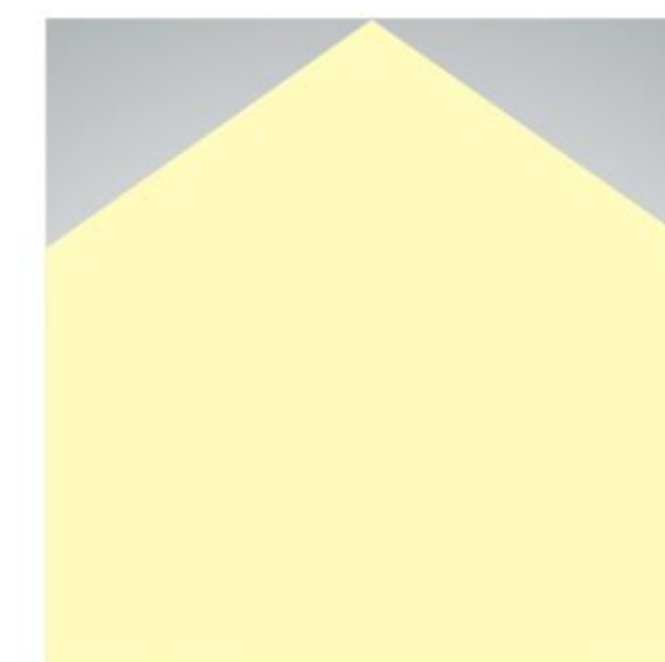


GESO KM CRYSTAL 

LED POWER: 8,64W  
 LED LUMEN: /  
 LUMINAIRE LUMEN: 372LM/3000K  
 INPUT: 48V DC  
 CRI: 90  
 DIMENSION: Ø195\*195\*136mm  
 HOLE SIZE: /



ANGLE L





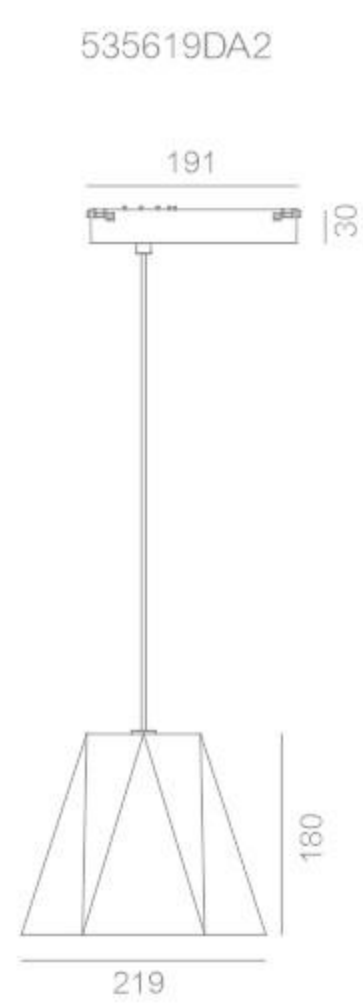
219

GESO KM NABLA

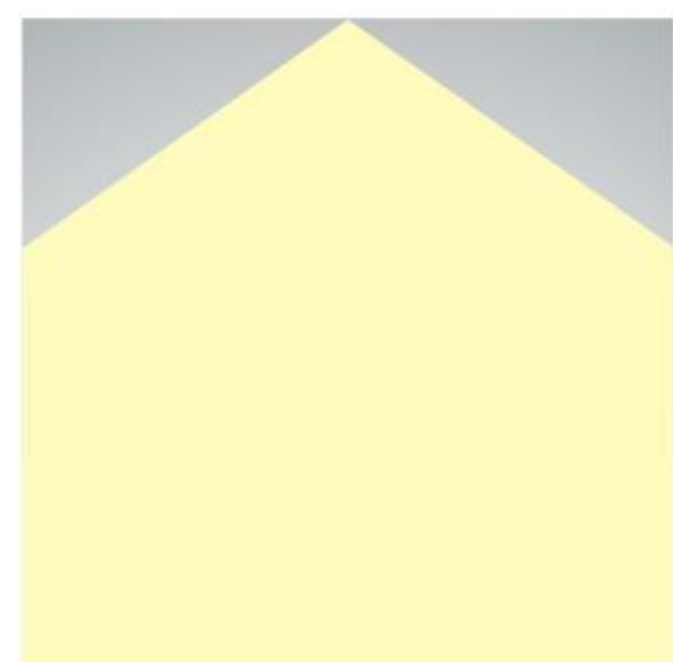
220

HOPPER KM S

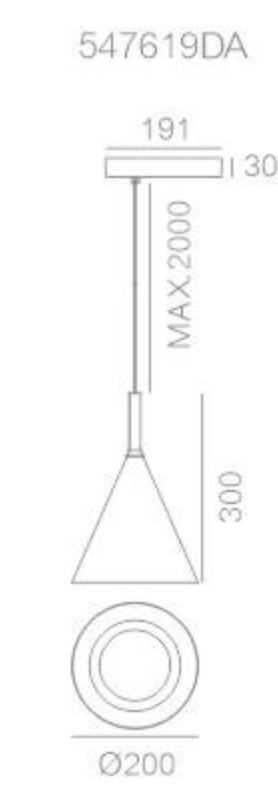
GESO KM NABLA   
 LED POWER: 8.4W  
 LED LUMEN: /  
 LUMINAIRE LUMEN: 418LM/3000K  
 INPUT: 48V DC  
 CRI: 90  
 DIMENSION: Ø219\*190\*180mm  
 HOLE SIZE: /



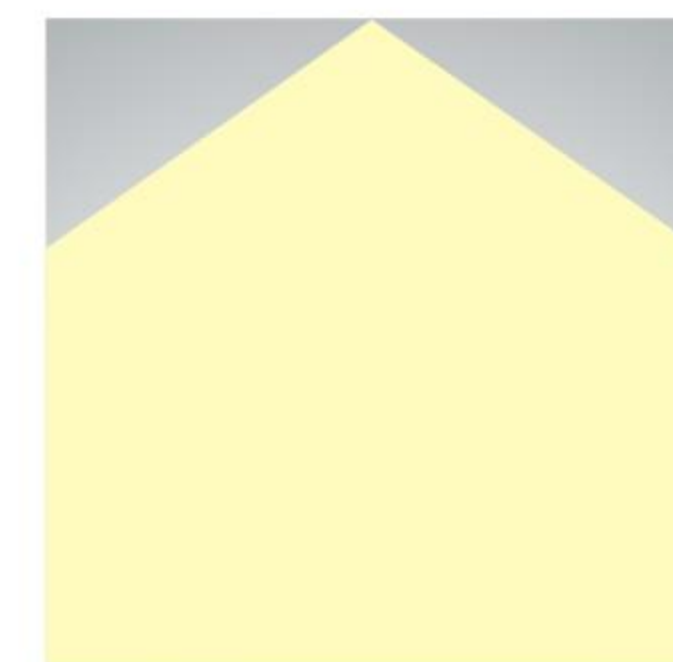
ANGLE L



HOPPER KM S   
 LED POWER: 6.74W  
 LED LUMEN: 814LM  
 LUMINAIRE LUMEN: 320LM/3000K  
 INPUT: 48V DC  
 CRI: 90  
 DIMENSION: Ø200\*300mm  
 HOLE SIZE: /



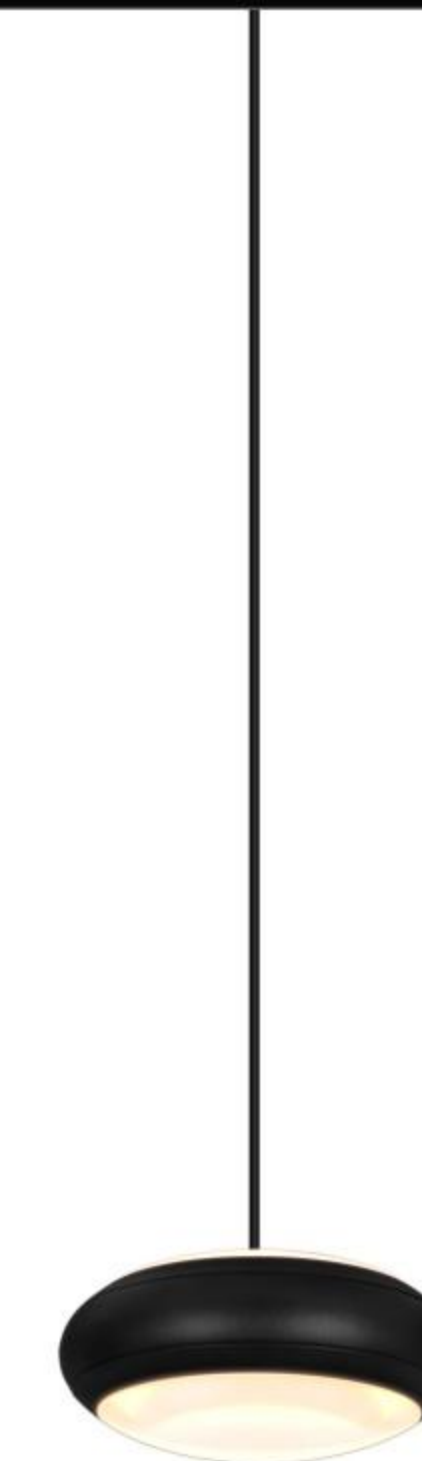
ANGLE L





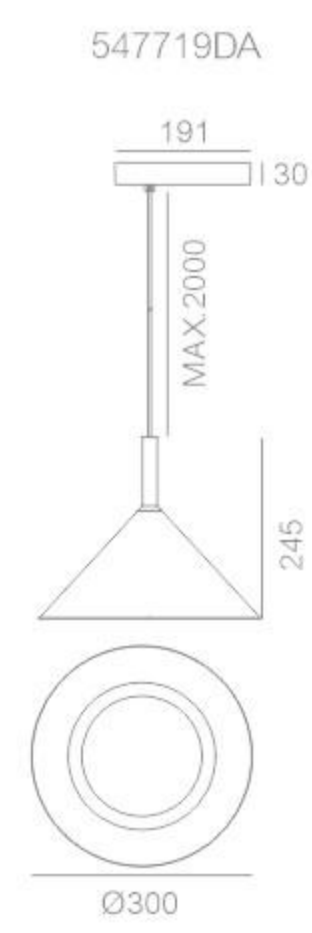


HOPPER KM M

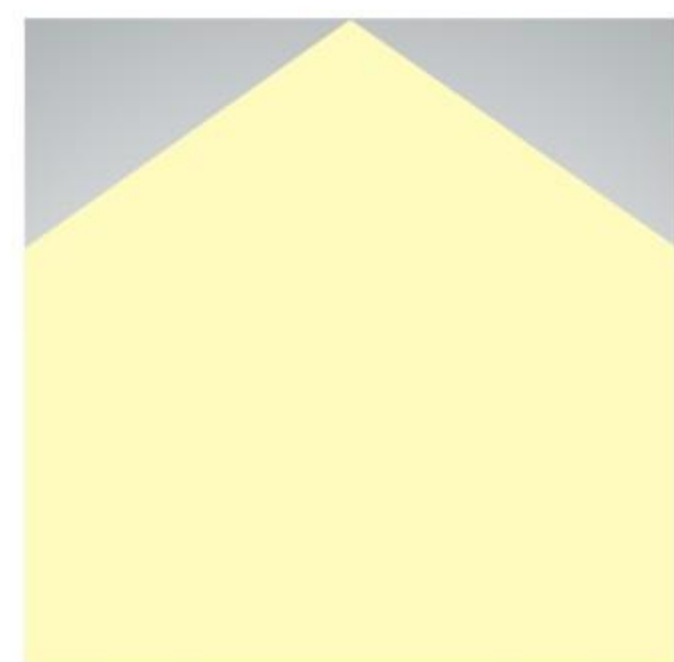


LISSO KM P

HOPPER KM M   
 LED POWER: 14W  
 LED LUMEN: 1505LM  
 LUMINAIRE LUMEN: 659LM/3000K  
 INPUT: 48V DC  
 CRI: 90  
 DIMENSION: Ø300\*245mmmm  
 HOLE SIZE: /



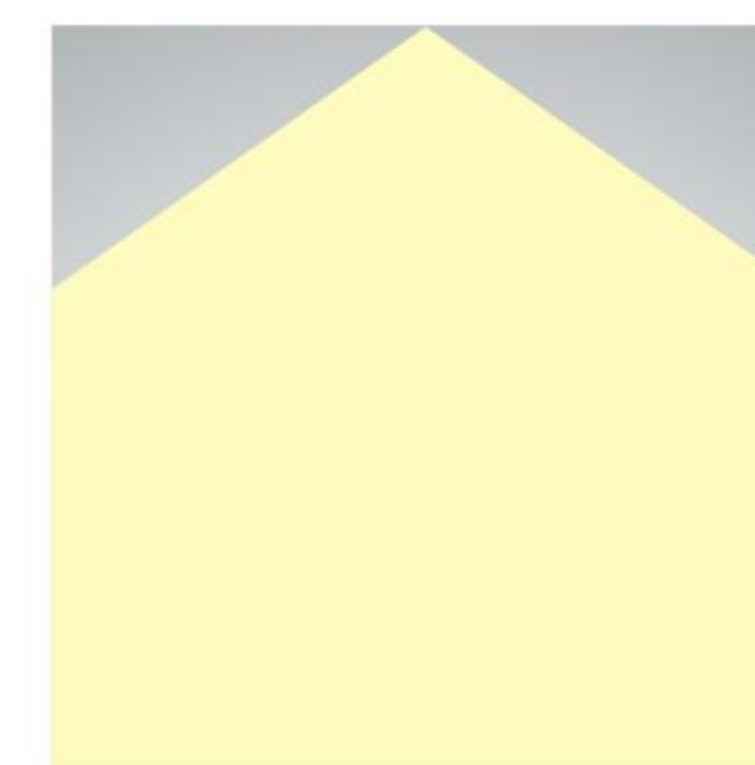
ANGLE L



LISSO KM P   
 LED POWER: 13.8W  
 LED LUMEN: 1840LM/3000K  
 LUMINAIRE LUMEN: 676LM/3000K  
 INPUT: 48V DC  
 CRI: 90  
 DIMENSION: Ø135\*70mm  
 HOLE SIZE: /



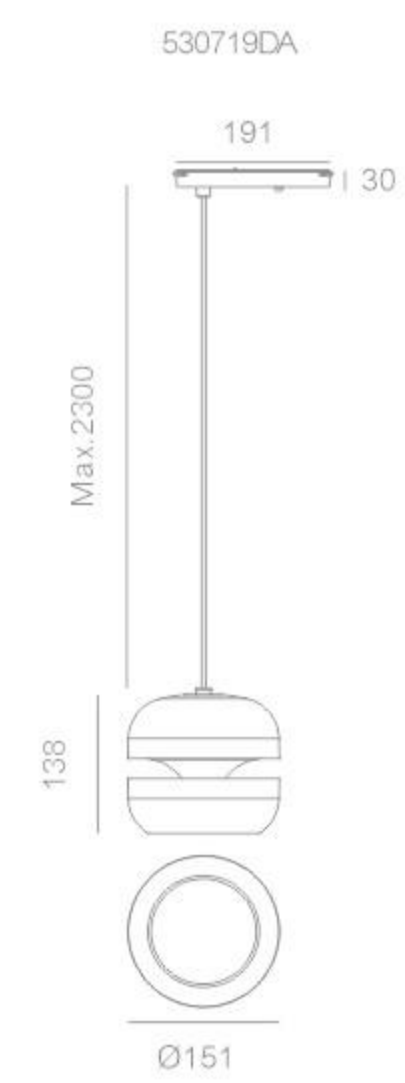
ANGLE L



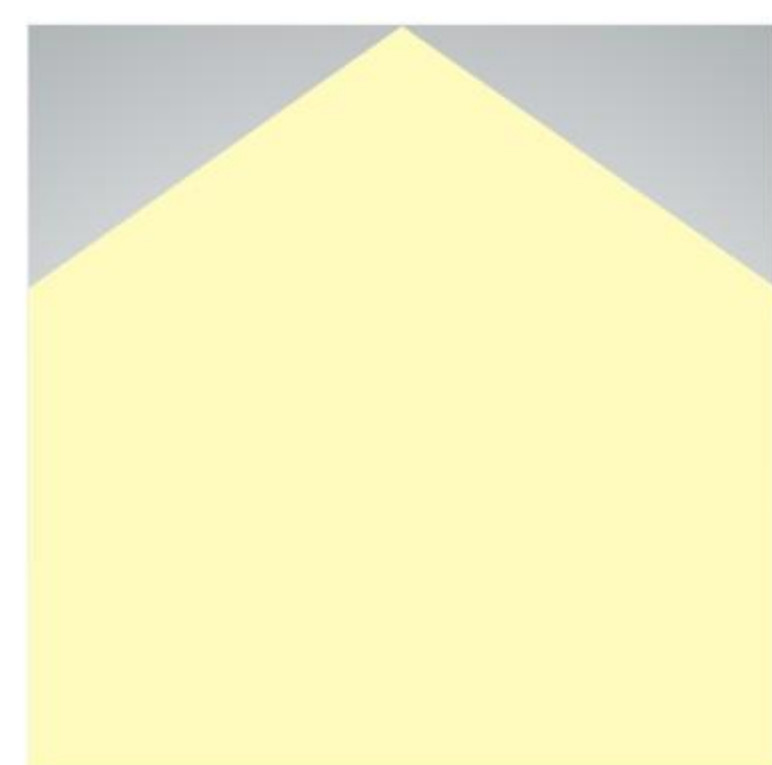


MELA KM P


MELA KM P   
 LED POWER: 14.9W  
 LED LUMEN: 1872LM/3000K  
 SYSTEM OUTPUT: 734LM/3000K  
 INPUT: 48V DC  
 CRI: 90  
 DIMENSION: Ø151\*138mm  
 HOLE SIZE: /



ANGLE L

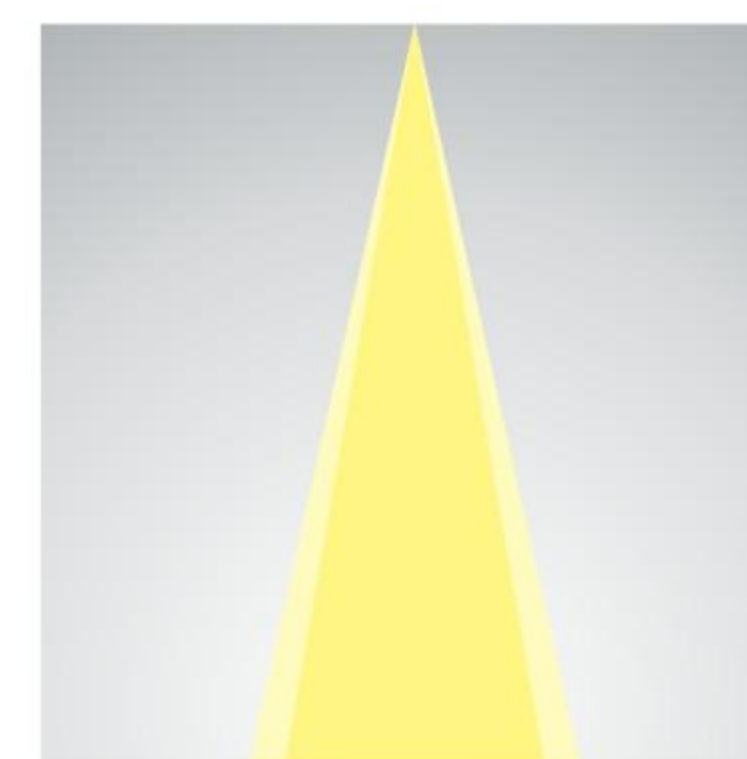


PALLAS KM DIAMOND

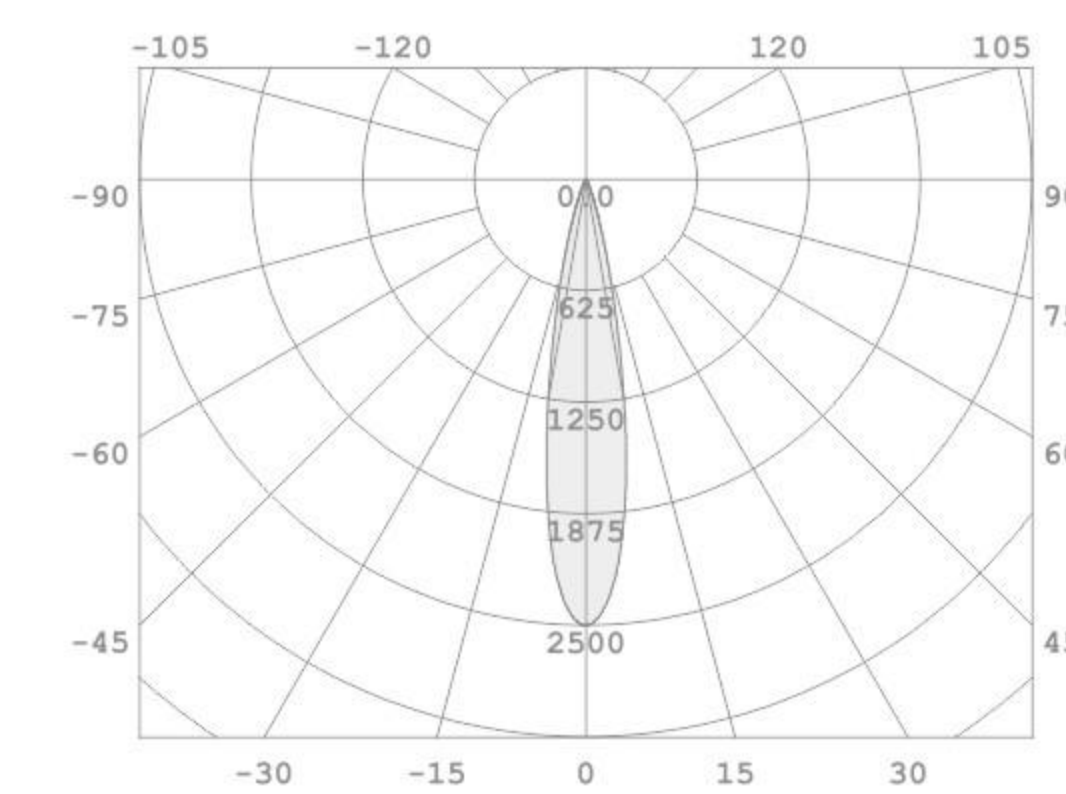
PALLAS KM DIAMOND   
 LED POWER: 6W  
 LED LUMEN: 660LM/3000K  
 LUMINAIRE LUMEN: 446LM/3000K  
 INPUT: 48V DC  
 CRI: 90  
 DIMENSION: Ø73\*68mm  
 HOLE SIZE: /



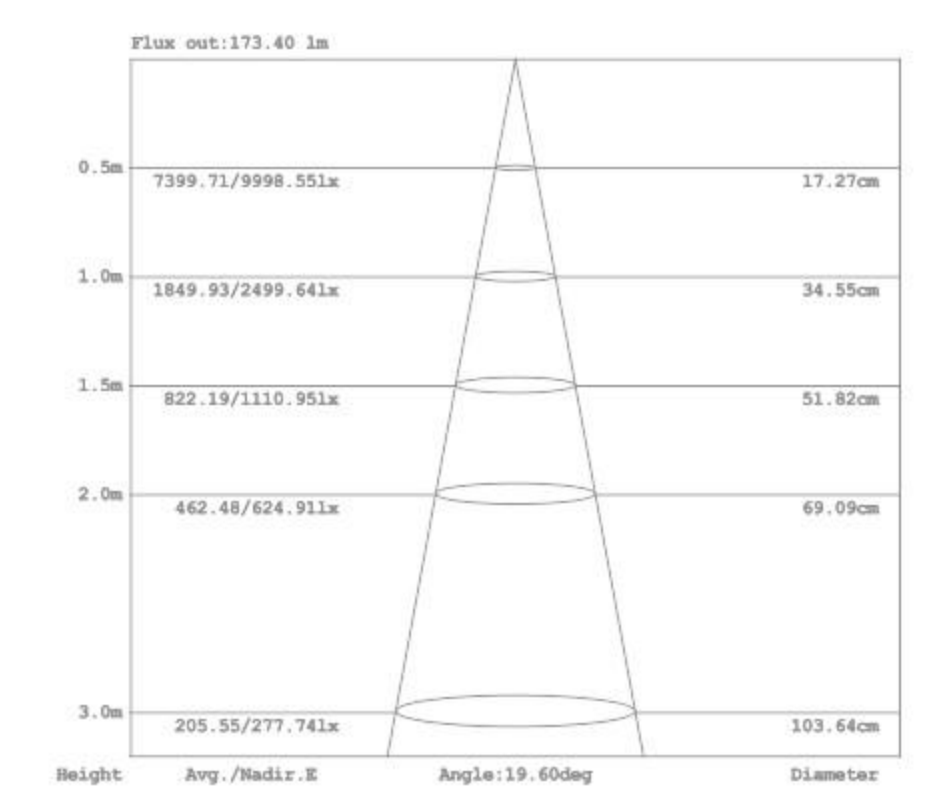
ANGLE 19°

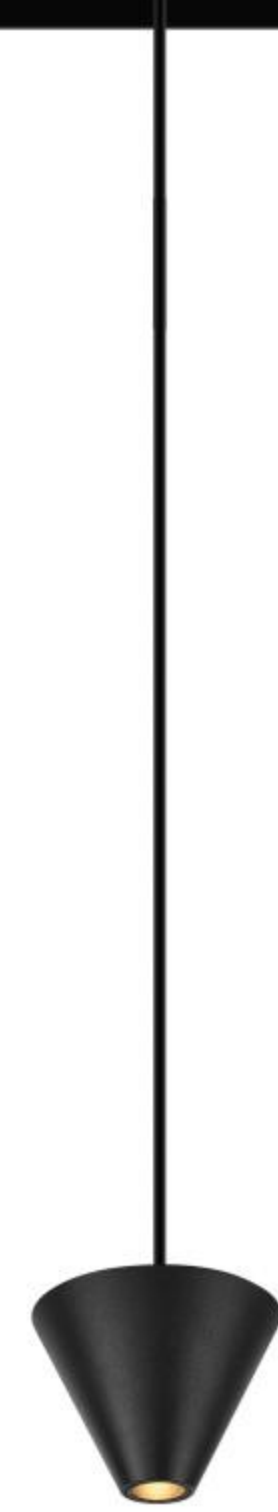


7W 19°\_3000K



7W 19°\_3000K





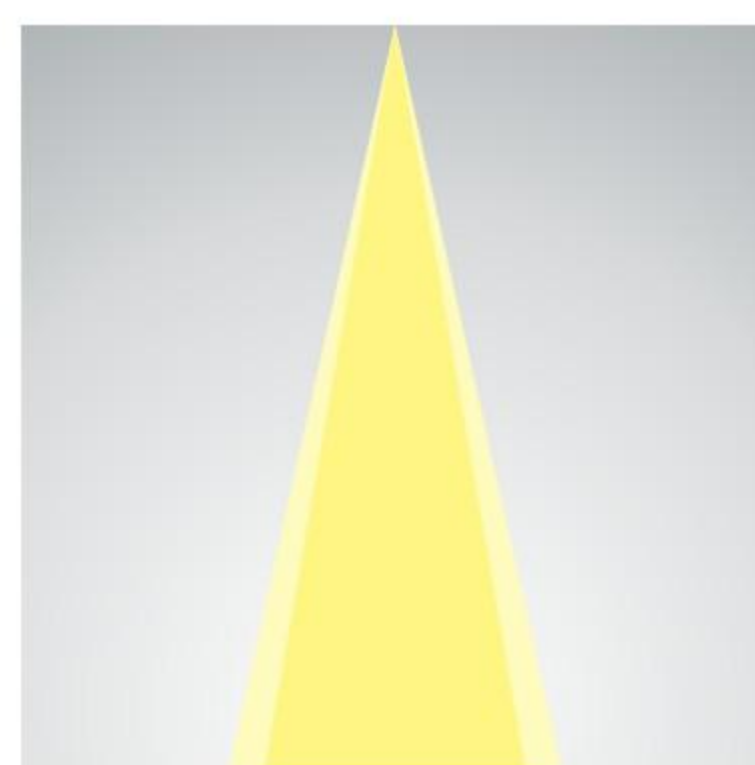
PALLAS KM FUNNEL

PALLAS KM FUNNEL

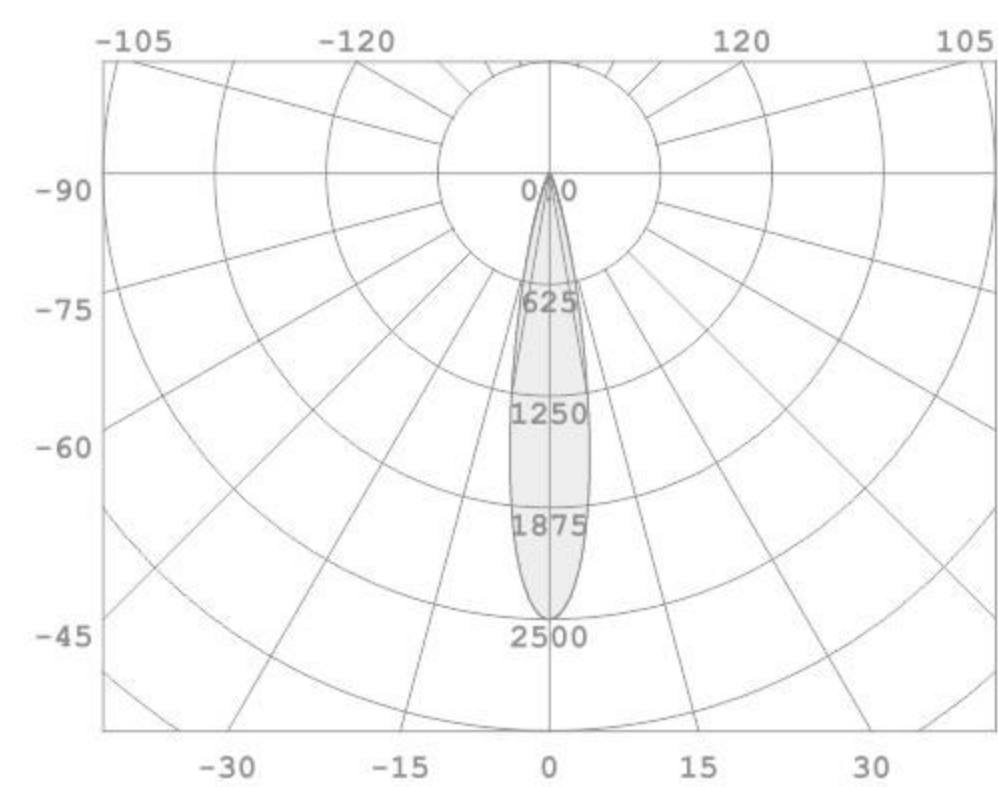
LED POWER: 6W  
 LED LUMEN: 660LM/3000K  
 LUMINAIRE LUMEN: 446LM/3000K  
 INPUT: 48V DC  
 CRI: 90  
 DIMENSION: Ø91.6\*68mm  
 HOLE SIZE: /



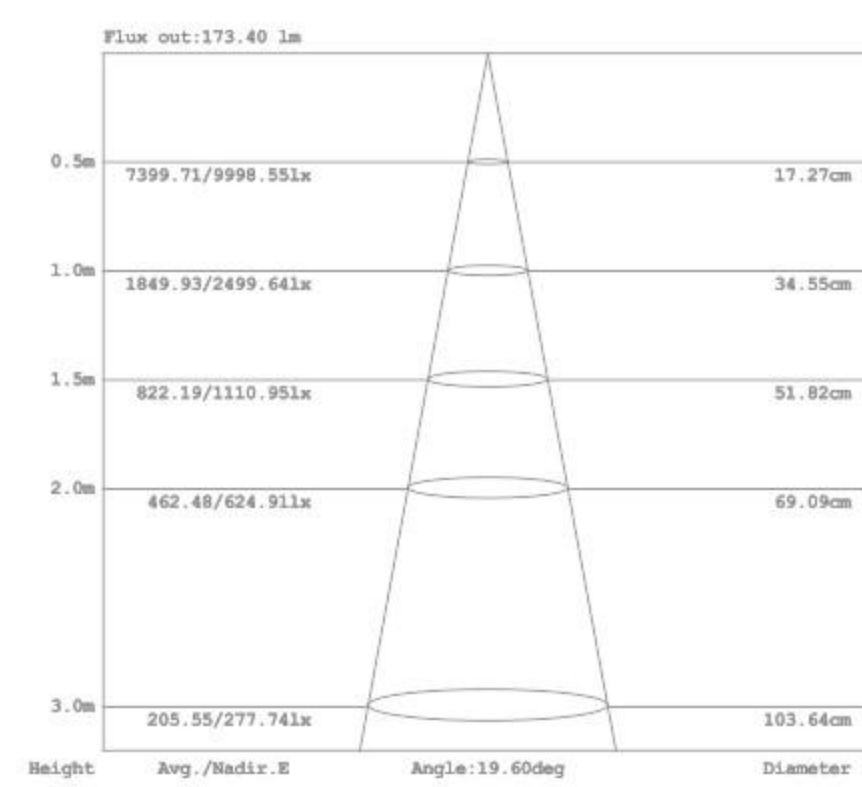
ANGLE 19°



7W 19° 3000K



7W 19° 3000K

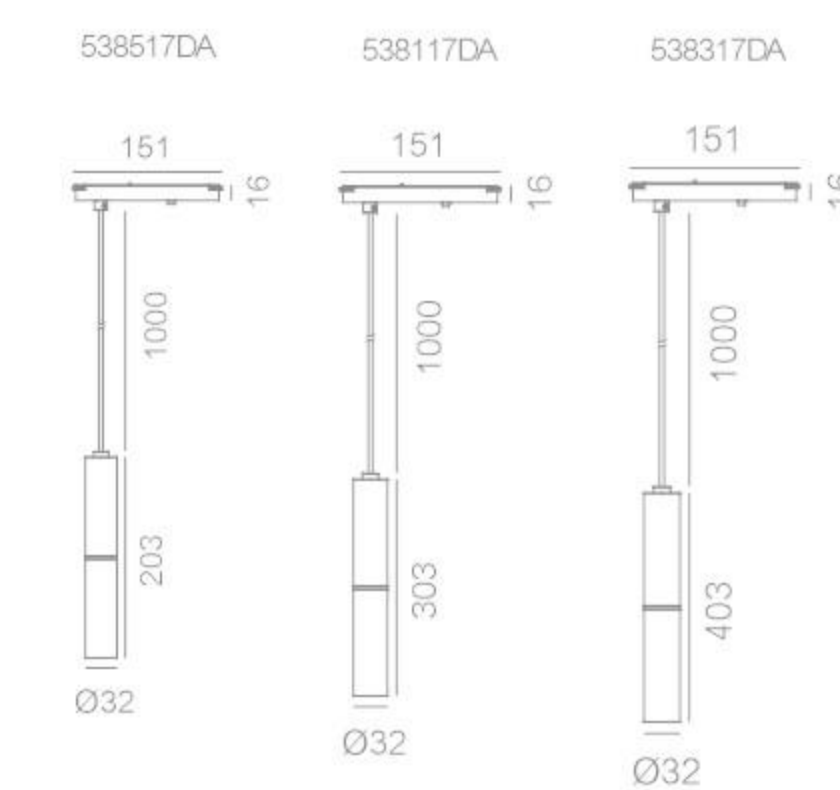


PROMEO KM L1 / L2 / L3

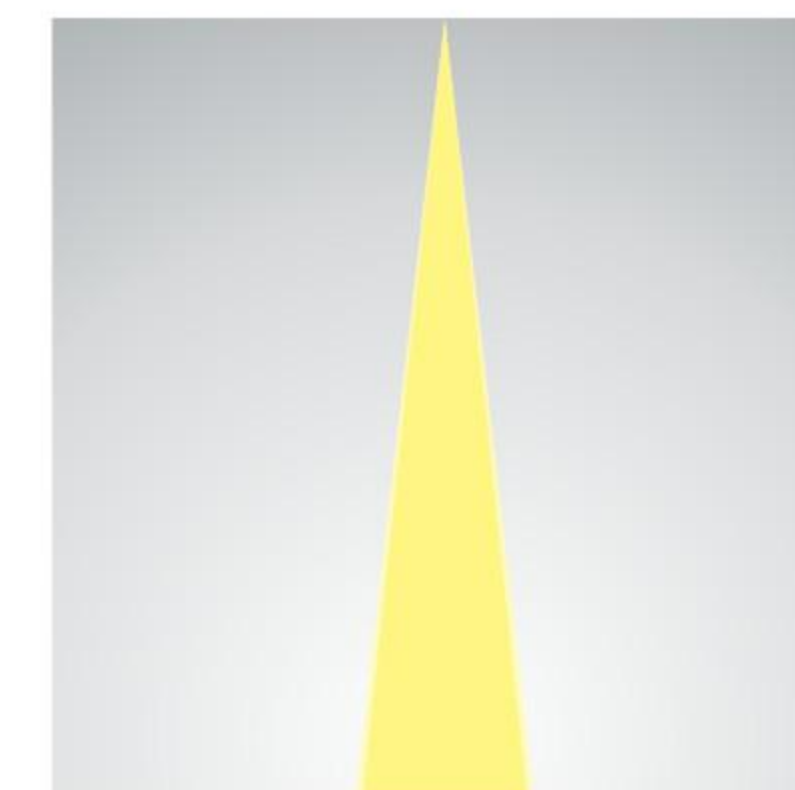
LED POWER: 2.2W  
 CRI: 80  
 LUMINAIRE LUMEN: 28LM/3000K  
 INPUT: 48VDC  
 DIMENSION: Ø32\*203mm  
 Ø32\*303mm  
 Ø32\*403mm  
 HOLE SIZE: /



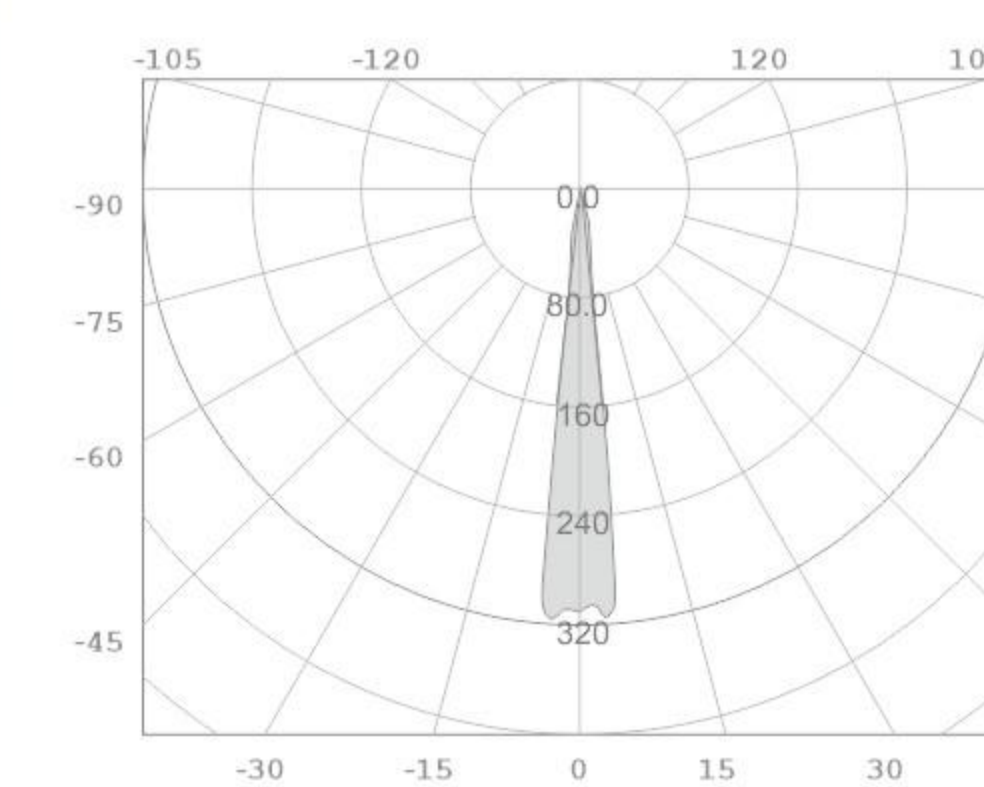
PROMEO KM



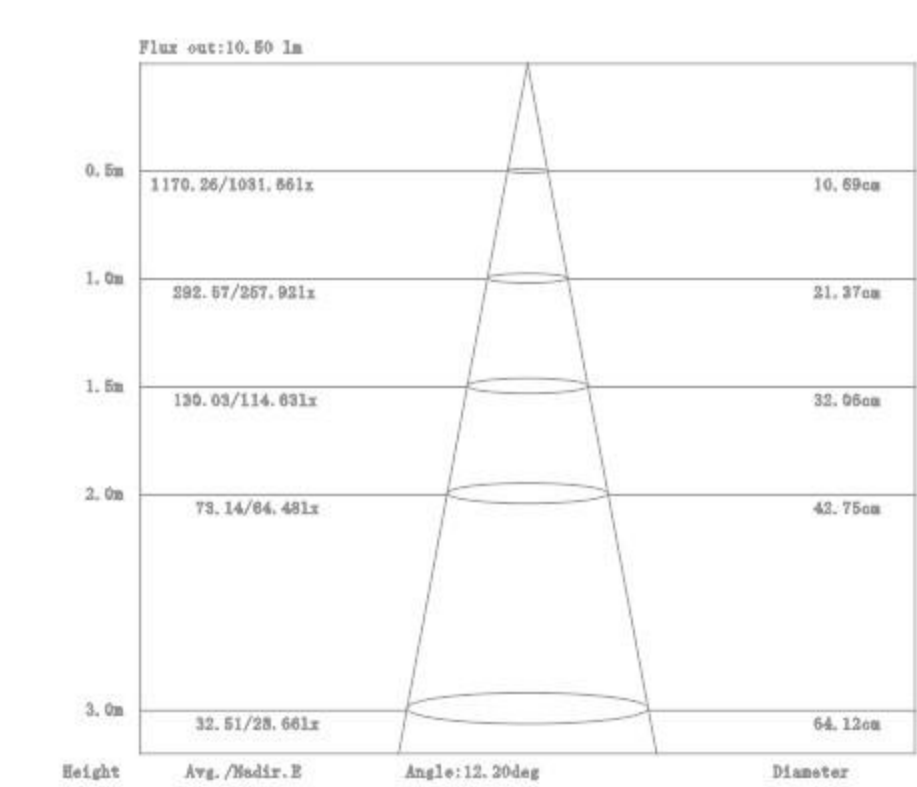
ANGLE 12°





















2.2W 12° 3000K



2.2W 12° 3000K














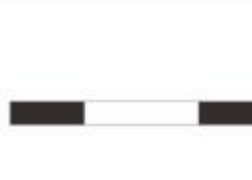







OPTION(Spot light/Flood light):

PHOTO	CODE	POWER	COLOR TEMP	BEAN ANGLE	CCT	DRIVER TYPE
	528015	14.8W	Sandy Black	A(15°-23°)	2700K/3000K/4000K	DA
	533614	5.8W	Sandy Black/Sandy White	L	2700K-5700K	DA2
	533714	10.6W	Sandy Black/Sandy White	L	2700K-5700K	DA2
	533819	16.4W	Sandy Black/Sandy White	L	2700K-5700K	DA2
	533919	20.4W	Sandy Black/Champagne Gold	L	2700K-5700K	DA2
	530919	9.6W	Sandy Black/Champagne Gold	19°/28°	2700K/3000K/4000K	DA
	531319	13.8W	Sandy Black/Champagne Gold	18°/32°	2700K/3000K/4000K	DA
	551319	8.3W	Sandy Black/Sandy White	A(19°-40°)	2700K/3000K/4000K/5000K	DA
	551619	11.6W	Sandy Black/Sandy White	A(19°-40°)	2700K/3000K/4000K/5000K	DA
	552519	15.4W	Sandy Black/Sandy White	A(18°-45°)	2700K/3000K/4000K/5000K	DA
	552819	23.5W	Sandy Black/Sandy White	A(18°-45°)	2700K/3000K/4000K/5000K	DA
	530212	17.7W	Sandy Black	29°/42°/56°	2700K-5700K	DA2
	524315	14.3W	Sandy Black	12°/20°/36°	2700K-5700K	DA
	524415	37.8W	Sandy Black	12°/20°/36°	2700K-5700K	DA
	524515	14.3W	Sandy Black	A(15°-30°)	2700K/3000K/4000K/3000K(SENSUS)	DA
	524615	37.8W	Sandy Black	A(15°-30°)	2700K/3000K/4000K/3000K(SENSUS)	DA
	531616	33.4W	Sandy Black/Sandy White	30°	2700K/3000K/4000K	DA
	531719	10W	Sandy Black/Sandy White	18°/40°	2700K/3000K/4000K	DA











227

OPTION(Spot light/Flood light):

PHOTO	CODE	POWER	COLOR TEMP	BEAN ANGLE	CCT	DRIVER TYPE
	529219	7.4W	Sandy Black	18°/26°/32°/41°	2700K/3000K/4000K	DA
	529319	11.4W	Sandy Black	20°/25°/33°/41°	2700K/3000K/4000K	DA
	529419	18.8W	Sandy Black	16°/25°/36°	2700K/3000K/4000K	DA
	529519	26.6W	Sandy Black	16°/24°/36°	2700K/3000K/4000K	DA
	530614	11.7W	Sandy Black/Sandy Black/Sandy Gold	L	2700K/3000K/4000K	DA
	530714	21.4W	Sandy Black/Sandy Black/Sandy Gold	L	2700K/3000K/4000K	DA
	532119	7.5W	Sandy Black-Sandy Black	28°/38°/48°	2700K/3000K/4000K	DA
	532519	7.5W	Sandy Black-Sandy Black	28°/38°/48°	2700K/3000K/4000K/5000K	DA
	532819	10W	Sandy Black-Sandy Black	22°/36°	2700K/3000K/4000K/5000K	DA
	533019	10W	Sandy Black-Sandy Black	22°/36°	2700K/3000K/4000K/5000K	DA
	533219	16W	Sandy Black-Sandy Black	29°/37°	2700K/3000K/4000K/5000K	DA
	533319	16W	Sandy Black-Sandy Black	29°/37°	2700K-5700K	DA
	524217	11.6W	Sandy Black	20°	2700K/3000K/4000K	DA
	523714	24W	Sandy Black	L	2700K/3000K/4000K/3000K(SENSUS)	DA
	523814	48W	Sandy Black	L	2700K/3000K/4000K	DA
	523914	72W	Sandy Black	L	2700K/3000K/4000K	DA
	524014	96W	Sandy Black	L	2700K/3000K/4000K	DA
	524114	120W	Sandy Black	L	2700K/3000K/4000K	DA
	527117	13.1W	Sandy Black	P(100*73°-24°)	2700K/3000K/4000K	DA











228

OPTION(Pendant lamp):

PHOTO	CODE	POWER	COLOR TEMP	BEAN ANGLE	CCT	DRIVER TYPE
	534214	14.7W	Sandy Black/Sandy White	L	2700K-5700K	DA2
	534314	29W	Sandy Black/Sandy White	L	3000K/3500K 4000K	DA2
	527819	6.1W	Matte Black/Matte White	36°	3000K/3500K	DA
	539011	7W	Sandy Black/Sandy White	F	3000K/3500K	DA
	538911	7W	Sandy Black/Champagne Gold Sandy White-Sandy Black	19°	3000K/3500K	DA
	538211	7W	Sandy Black/Sandy White Champagne Gold	19°	3000K/3500K	DA
	538811	7W	Sandy Black/Champagne Gold Sandy White-Sandy Black	19°	3000K/3500K	DA
	535419	7W	Sandy White	L	2700K 2700K-6000K	DA2
	535519	16.3W	Sandy White	L	3000K 2700K-5700K	DA2
	535619	9W	Sandy White	L	2700K-6000K	DA2

229

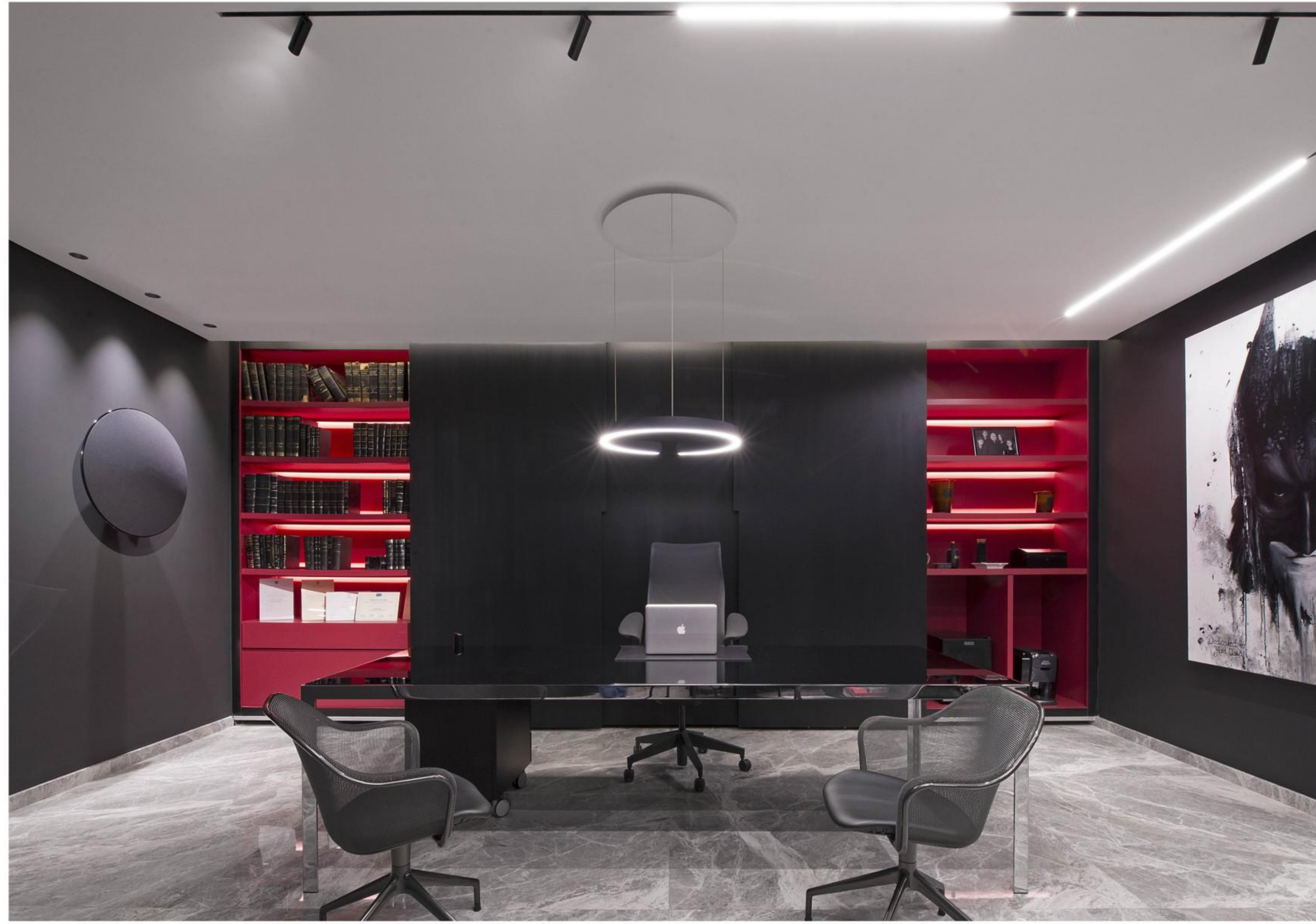
OPTION(Pendant lamp):

PHOTO	CODE	POWER	COLOR TEMP	BEAN ANGLE	CCT	DRIVER TYPE
	535719	10.5W	Sandy White	L	2700K-6000K	DA2
	547619	7.4W	Sandy White/Champagne Gold Sandy Black-Plain Gold Sandy White-Plain Gold	L	2700K/3000K 4000K	DA
	547719	15.6W	Sandy White/Champagne Gold Sandy Black-Plain Gold Sandy White-Plain Gold	L	2700K/3000K 4000K	DA
	539419	14.4W	Sandy Black/Sandy White Champagne Gold	L	3000K	DA
	539319	16W	Sandy Black-Plain Gold Sandy White-Glossy Silver	L	3000K/3500K	DA
	538611	7W	Sandy White Champagne Gold	19°	3000K	DA
	538711	7W	Sandy White Champagne Gold	19°	3000K	DA
	538517	4.2W	Sandy Black/Sandy White Champagne Gold	12°	3000K/3500K	DA
	538117	4.2W	Sandy Black/Sandy White Champagne Gold	12°	3000K/3500K	DA
	538317	4.2W	Sandy Black/Sandy White Champagne Gold	12°	3000K/3500K	DA

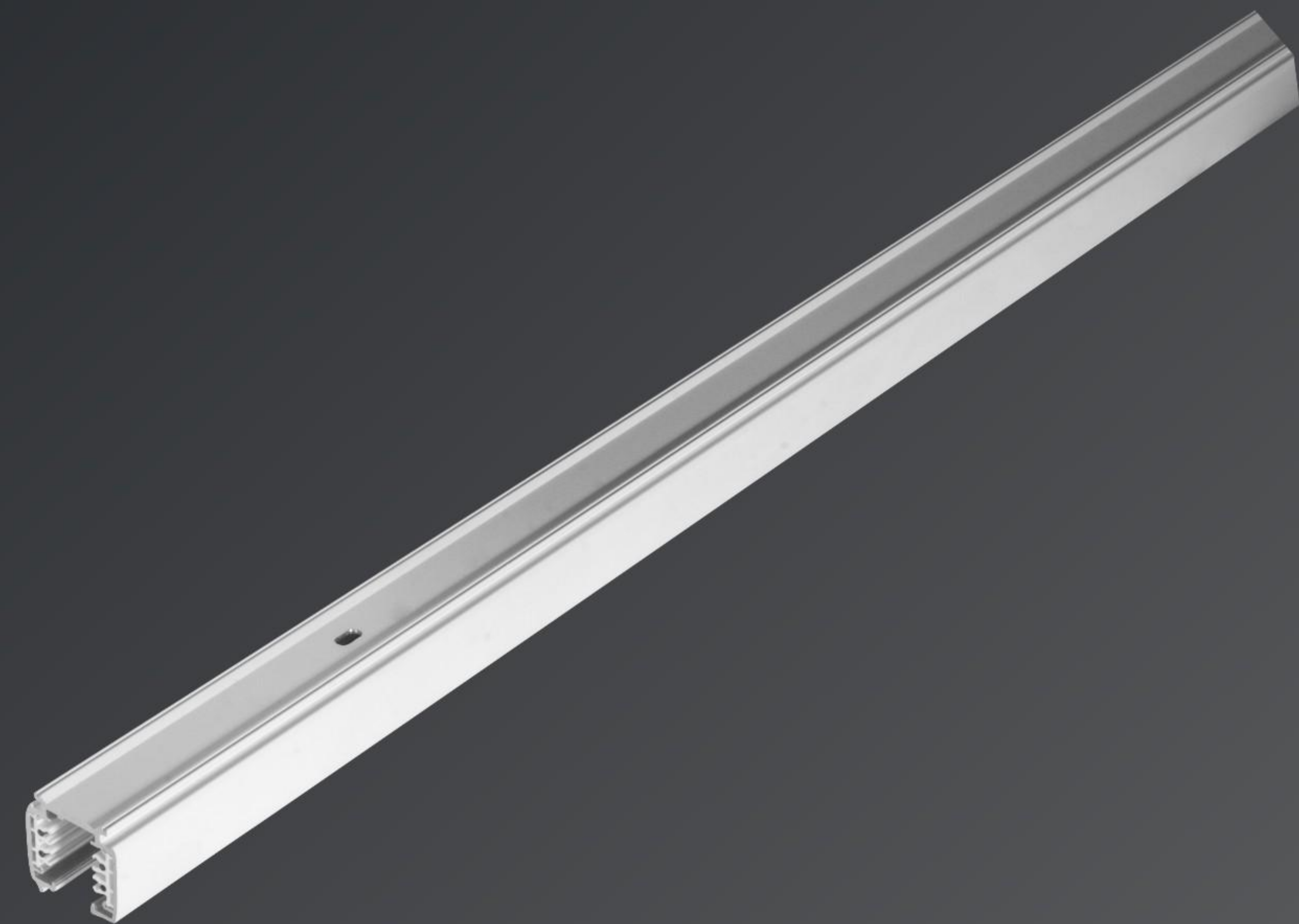
230









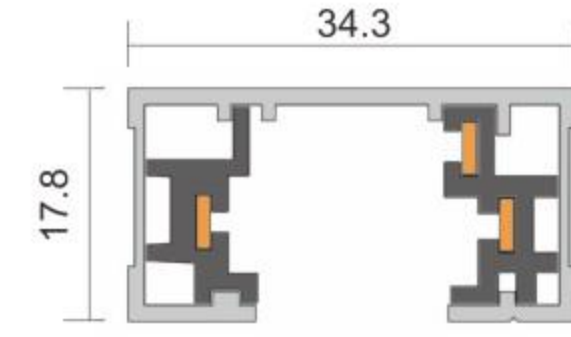


# ACCESSORIES

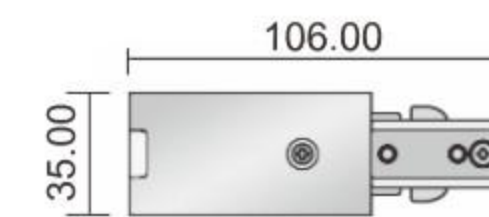
## TRACK SYSTEM



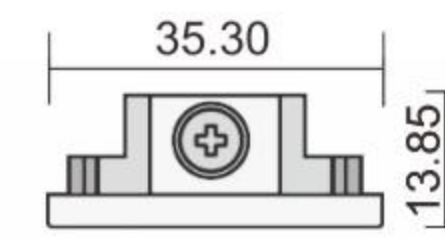
Pro-0310  
1M track actual one meter. (1000mm)  
Pro-0320  
2M track actual two meter. (2000mm)  
Pro-0330  
3M track actual three meter. (3000mm)  
Colour  
White/Black



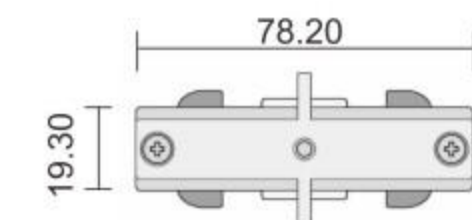
Pro-0331  
Live-end connector  
To start a run  
Colour  
White/Black



Pro-0332  
End cap connects  
To the track sections end  
Colour  
White/Black



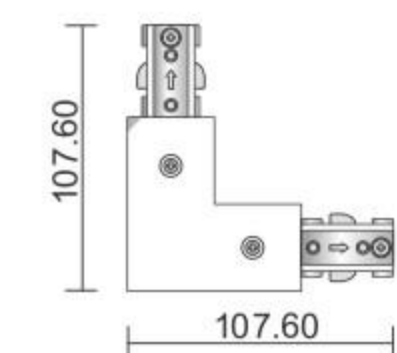
Pro-0333  
Mini joiner  
A low profile connect to join two  
Colour  
White/Black



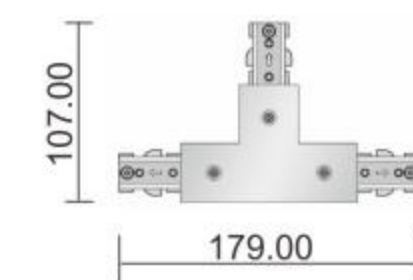
Pro-0334  
Straight connector  
To connect two track sections end-to-end, it provides a center feed option  
Colour  
White/Black



Pro-0335  
L-connector  
To connect two track sections at a 90° angle  
Colour  
White/Black



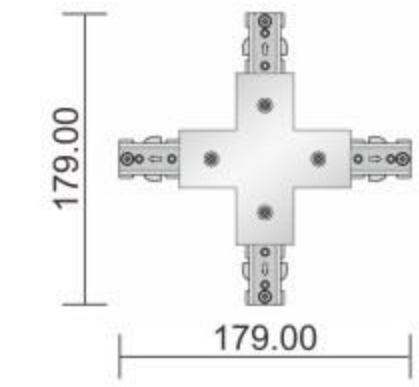
Pro-0336  
T-connector  
To connect three track sections into a T configuration  
Colour  
White/Black



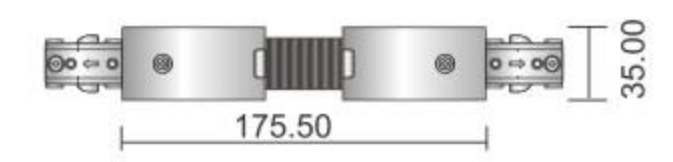
## TRACK SYSTEM



Pro-0337  
Cross Connector  
To connect four track sections into a cross configuration  
Colour  
White/Black



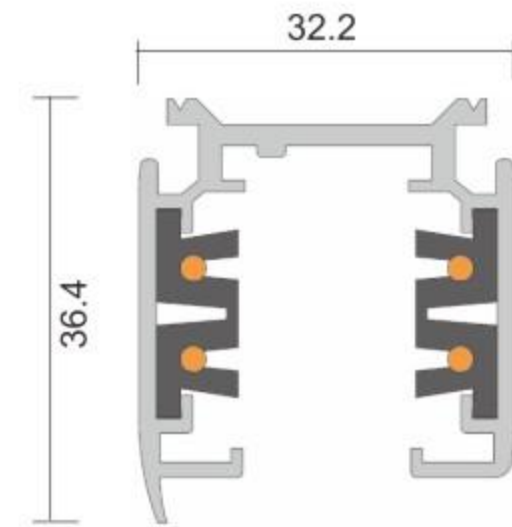
Pro-0339  
Flexible connector  
To connect two track sections at any angle up to 90° or wall to ceiling or pitched ceiling applications  
Colour  
White/Black



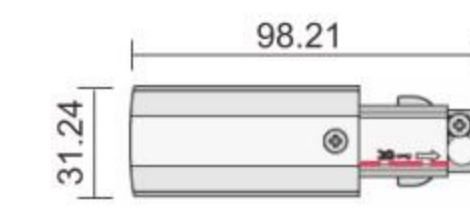
TRACK SYSTEM



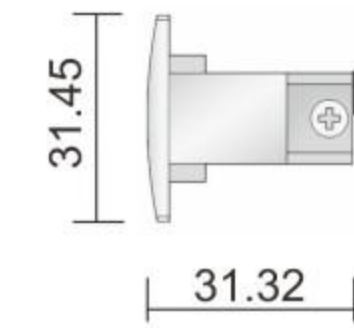
Pro-0410  
1M track actual one meter.(1000mm)  
Pro-0420  
2M track actual two meter.(2000mm)  
Pro-0430  
3M track actual three meter.(3000mm)  
Colour  
White/Black



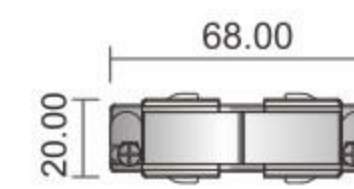
Pro-0431 L  
Live-end connector  
To start a run  
Colour  
White/Black



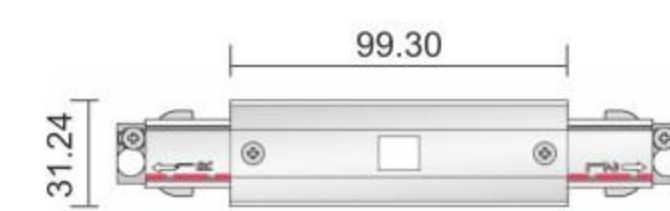
Pro-0432  
End cap connects  
To the track sections end  
Colour  
White/Black



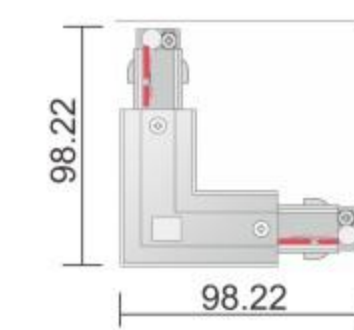
Pro-0433  
Mini joiner  
A low profile connect to join two  
Two straight track sections end-to-end  
Colour  
White/Black



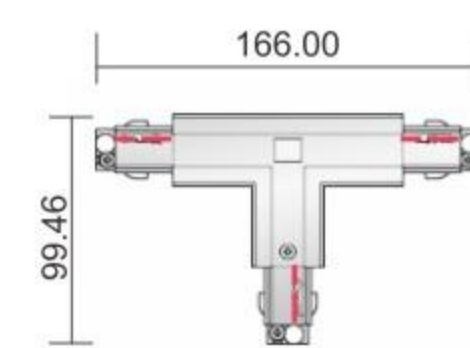
Pro-0434  
Straight connector  
To connect two track sections end-to  
-End.it provides a center feed option  
Colour  
White/Black



Pro-0435 L  
L Connector  
To connect two track sections at a 90°angle  
Colour  
White/Black



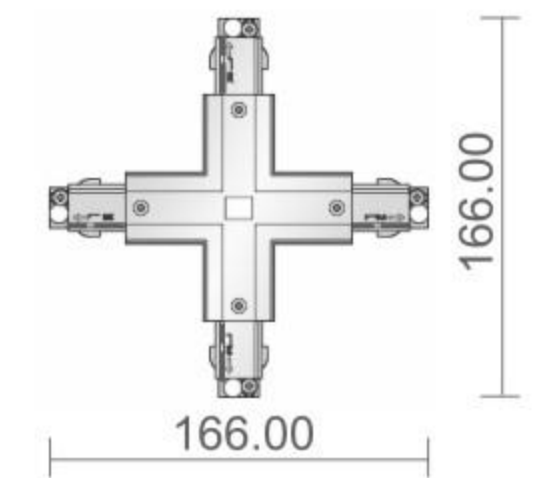
Pro-0436 L1  
T Connector  
To connect there track sections  
into a T configuration  
Colour  
White/Black



TRACK SYSTEM



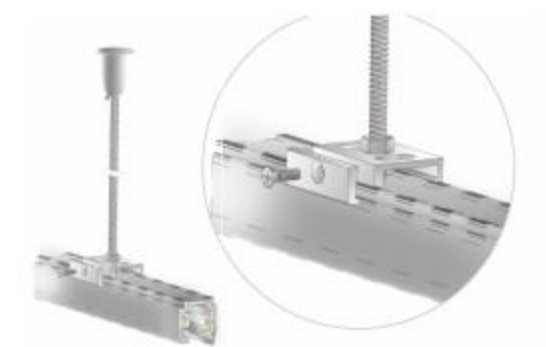
Pro-0437  
Cross Connector  
To connect four track sections into a cross configuration  
Colour  
White/Black



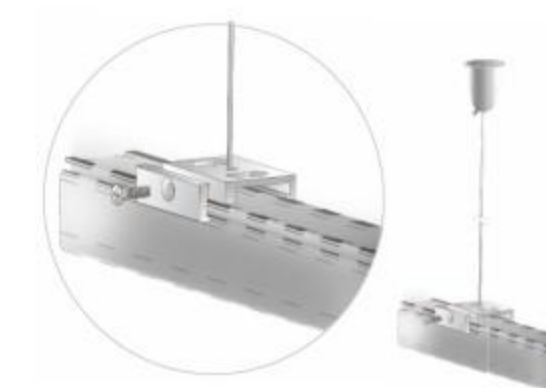
Pro-0439  
Flexible connector  
To connect two track sections at any  
Angle up to 90°or wall to ceiling or  
Pitched ceiling applications  
Colour  
White/Black



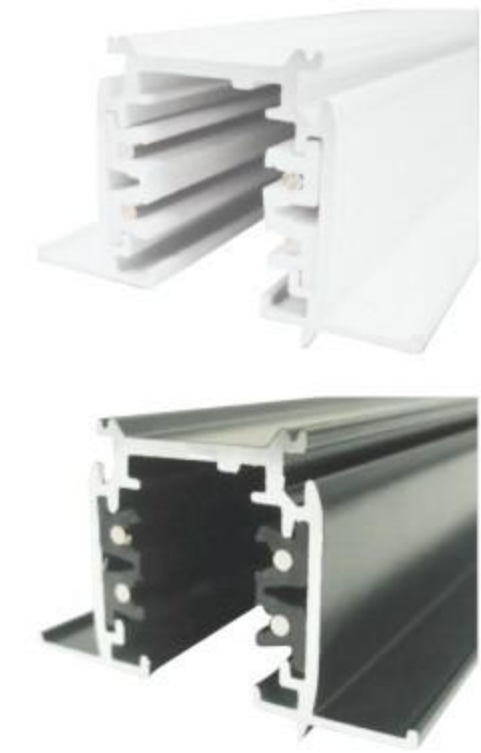
Pro-0447  
Suspension kit with 6mm x 1m rod  
Colour  
White/Black



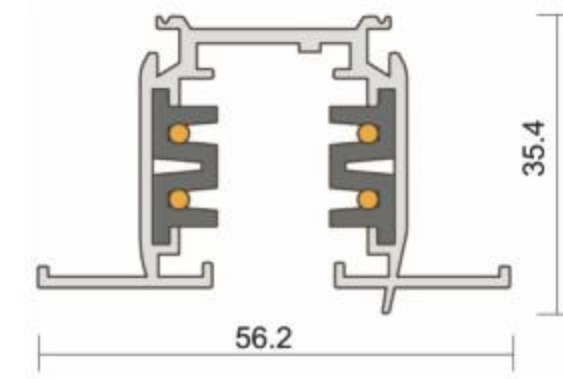
Pro-0448  
Suspension kit with 1.5m wire  
Colour  
White/Black



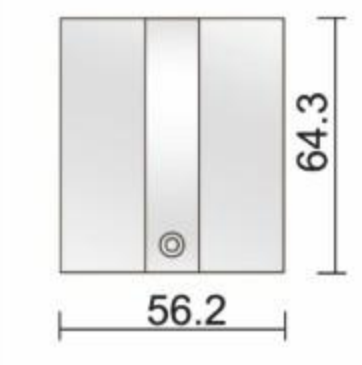
## TRACK SYSTEM



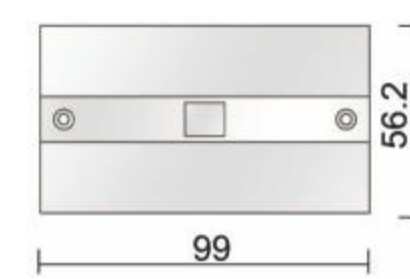
Pro-R0410  
1M track actual one meter.(1000mm)  
Pro-R0420  
2M track actual two meter.(2000mm)  
Pro-R0430  
3M track actual three meter.(3000mm)  
Colour  
White/Black



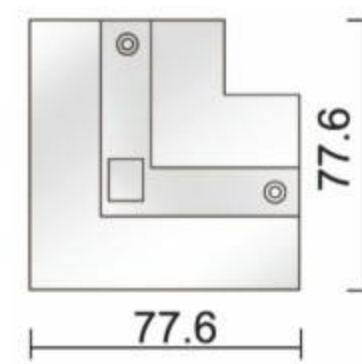
Pro-R431  
Live-end connector cover  
Colour  
White/Black



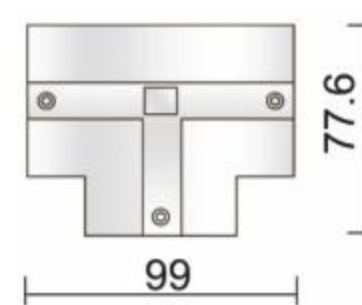
Pro-R434  
Straight connector cover  
Colour  
White/Black



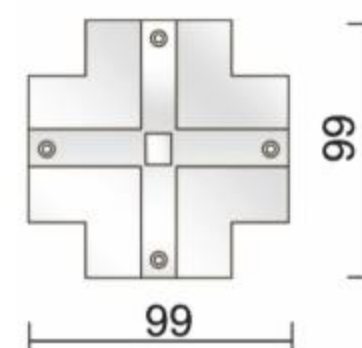
Pro-R435  
"L" connector cover  
Colour  
White/Black



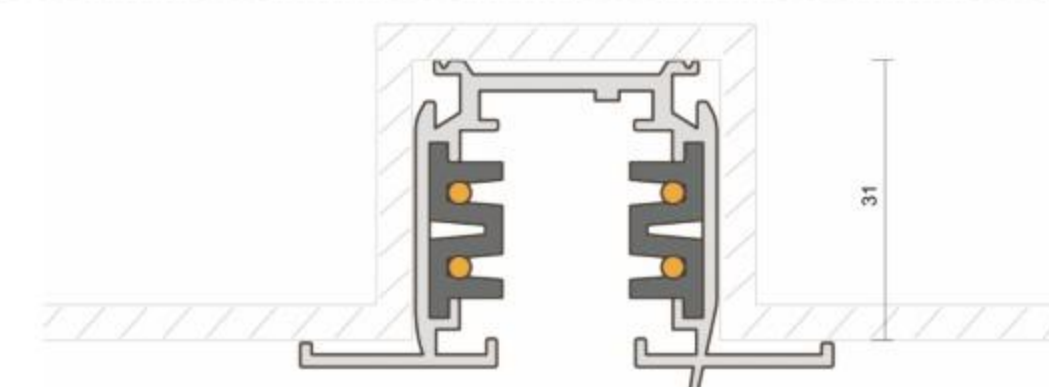
Pro-R436  
"T" connector cover  
Colour  
White/Black



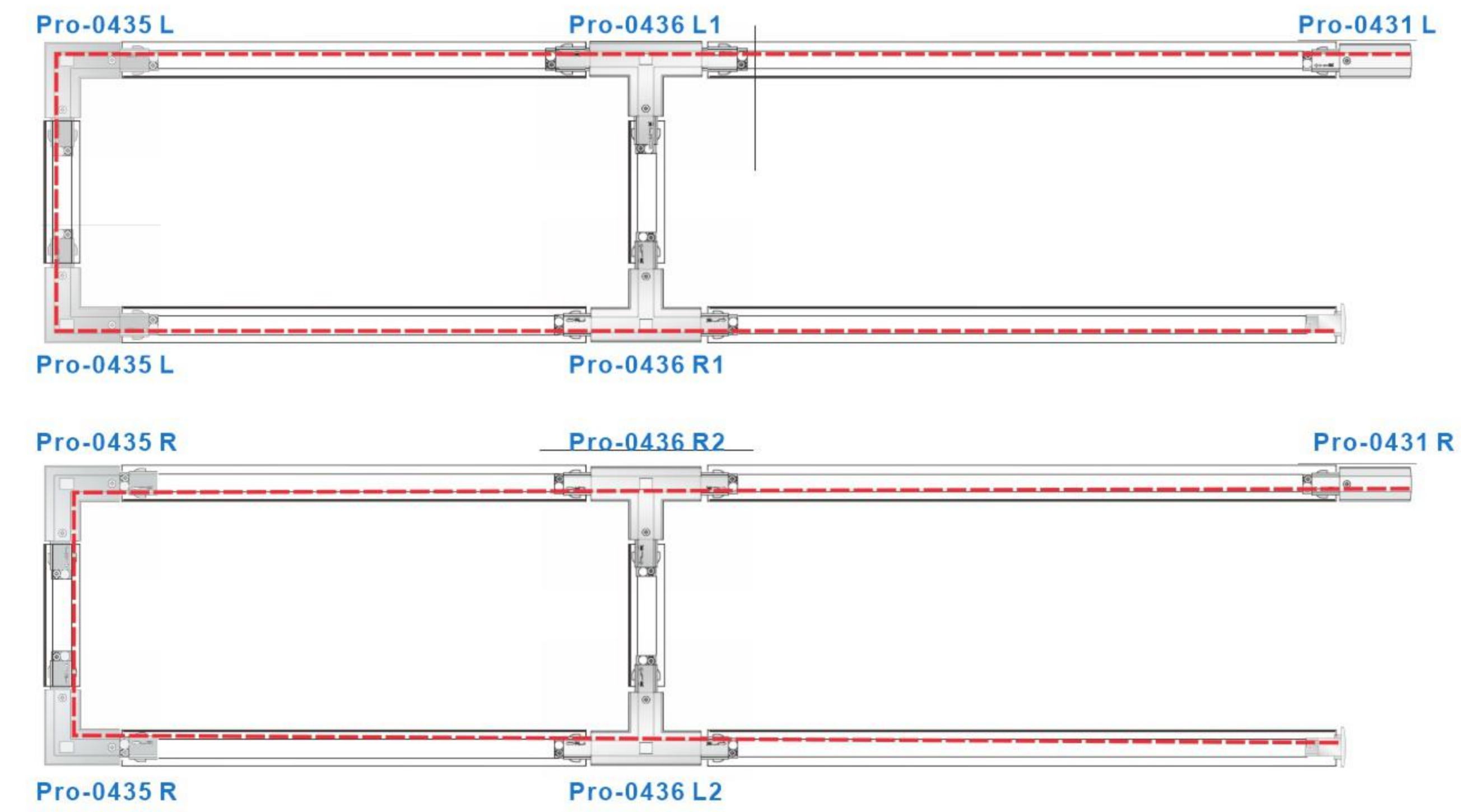
Pro-R437  
"+" connector cover  
Colour  
White/Black



### The use of schematic diagram



## TRACK SYSTEM



**FLUA S. R. L.**

BASTIONI DI PORTA VOLTA 7  
MILANO, ITALY CAP 20121  
E-MAIL: [MARKETING@FLUA.COM](mailto:MARKETING@FLUA.COM)  
[WWW.FLUA.COM](http://WWW.FLUA.COM)  
400-0750-678



FLUA  
WEBSITE



FOLLOW US ON  
FACEBOOK



FOLLOW US ON  
INSTAGRAM



CONTACT US ON  
WHATSAPP